

Comair Rotron Fans, Blowers & Impellers



www.ComairRotron.com



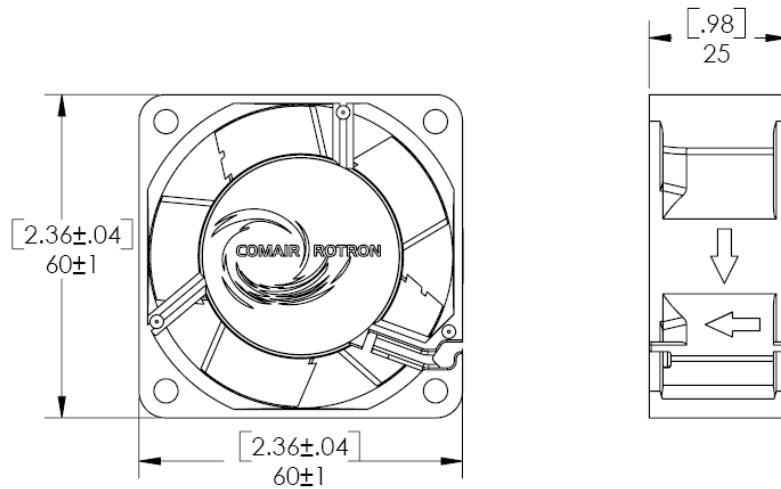
Quick Reference

	PAGE	Model Name	Size		Airflow		Pressure	
			Standard	Metric	CFM	Pa	in H ₂ O	M ³ /Hr
DC Fans	PAGE 3	Flight II 60					2.4 x 1.7	
	PAGE 4		60 x 25					
	PAGE 5	18		31				0.3
	PAGE 6	75						
	PAGE 7	Sprint						3.2 x
	PAGE 8	1.3			80 x 32			
	PAGE 9		45		76			
	PAGE 10	0.4		92				
	PAGE 11	Sprite						3.1 x
	PAGE 12	1.7			80 x 42			
	PAGE 13		50		85			
	PAGE 14	0.3		65				
	PAGE 15	Flight II 80					3.2 x 1	
	PAGE 16	45		80 x 25				
	PAGE 17	77		76				0.3
	PAGE 18	Flight II 90					3.6 x 1	
	PAGE 19		92 x 25					
	PAGE 20	60		102				0.3
			85					
	Mixed Flow	PAGE 21	Whisper XL					4.7 x 1.5
PAGE 22			119 x 39					
		85		144				0.2
		45						
Motorized Impellers	PAGE 23	Flight II 120					4.7 x 1	
	PAGE 24		120 x 25					
	PAGE 25	103		175			0.3	72
	PAGE 26	Muffin						4.7 x
	PAGE 27	1.3			120 x 32			
	PAGE 28		118		199			0.5
	PAGE 29	127						
	PAGE 30	Muffin XP					4.8 x 1.5	
PAGE 31		120 x 38						
		127	216			0.4		100
Blowers	PAGE 32	Muffin XL					4.7 x 1.5	
	PAGE 33			119 x 38				
	PAGE 34	210		357			1.0	
	PAGE 35	242						
	PAGE 36	Galaxy						5 x 1.5
				127 x 38				
		240		408				1.3
AC Fans	PAGE 37	311						
	PAGE 38	Major XT					6.8 x 5.9 x 1.5	
	PAGE 39	172 x 150 x 38			325	552		
	PAGE 40	1.5			366			
	PAGE 41	Major						6.8 x
	PAGE 42	5.9 x 2		172 x 150 x 51			330	560
	PAGE 43			1.4		349		
	PAGE 44	Patriot						6.8 x 2
	PAGE 45				172 x 51			
	PAGE 46		330		560			1.4
	PAGE 47	349						
	PAGE 48	Maltese						6.8 x
PAGE 49	5.9 x 2.2		172 x 150 x 55			300	509	
PAGE 50			0.8		199			6.8 x
		Falcon						
		2.2			172 x 55			
Impellers	PAGE 51		300		509			0.8
		199						
Blowers	PAGE 52	Tarzan						6.9 x

Flight II 60 DC



MECHANICAL DRAWING



60 x 25 mm

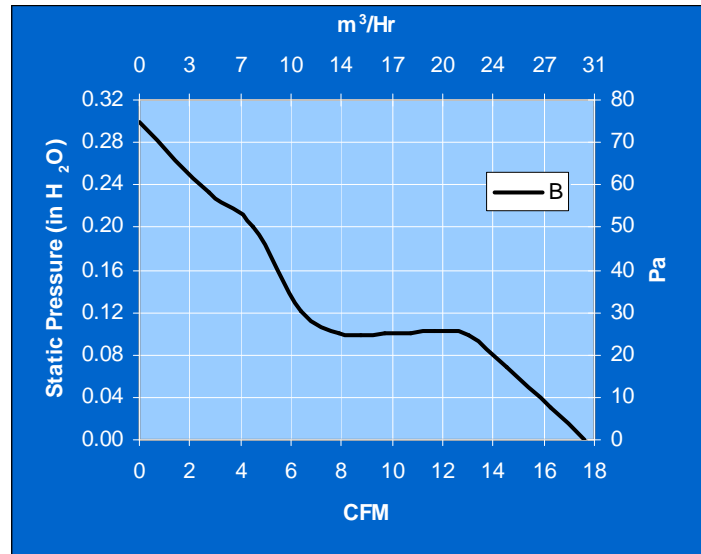
STANDARD FEATURES

- Size: 60 x 25mm deep (2.36" x 0.98")
- Operating Temperature: -10°C to +70°C
- Storage Temperature: -40°C to +85°C
- Weight: 110 g (3.9 oz)
- Dual Ball Bearings
- Impeller: Plastic
- Venturi: Plastic
- 12" Lead Wires

BENEFITS

- Outstanding CFM Performance in High Pressure Systems
- Dependability with an 18 Month Warranty
- Extended Bearing Life
- Designed with optional performance features

PERFORMANCE GRAPH



Model Number	Rated Voltage	Operating Voltage Range	Rated Current	Rated Input Power	Speed	Rated Airflow		Rated Air Pressure		Noise
	VDC	VDC	Amps	Watts	RPM	CFM	m ³ /Hr	in H ₂ O	Pa	
FS05B	5	4.5 - 6	0.40	2.0	5000	18	30.6	0.3	74.7	33.9
FS12B	12	6 - 14	0.21	2.5	5000	18	30.6	0.3	74.7	33.9
FS24B	24	12 - 28	0.08	1.9	5000	18	30.6	0.3	74.7	33.9
FS48B	48	24 - 56	0.06	2.6	5000	18	30.6	0.3	74.7	33.9

COMAIR ROTRON, INC

8929 Terman Court, San Diego, CA 92121

Ph (858) 348-6200

E-mail: sales@comairrotron.com,

Web: www.comairrotron.com

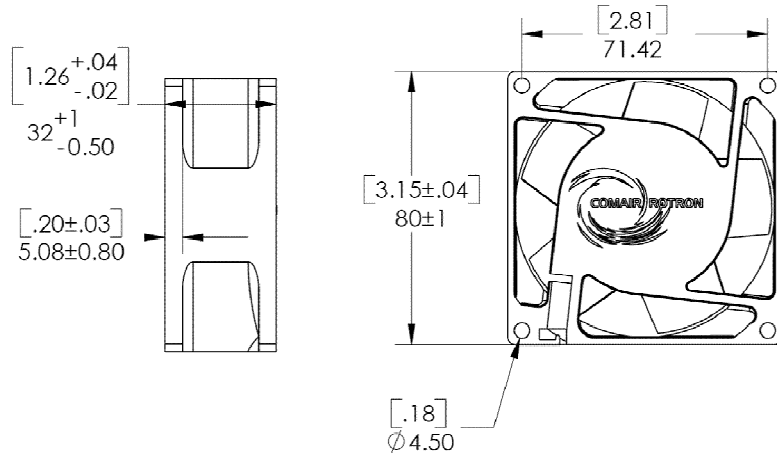


approvals pending

Sprint DC



MECHANICAL DRAWING



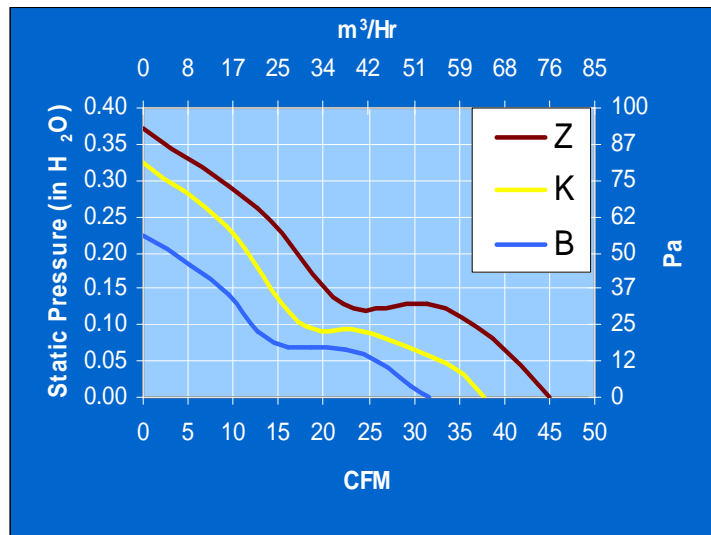
STANDARD FEATURES

- Size: 80 x 32mm deep (3.15" x 1.26")
- Operating Temperature: -10°C to +70°C
- Storage Temperature: -40°C to +85°C
- Weight: 180g (6.3 oz)
- Dual Ball Bearings
- Impeller: Glass Filled Nylon
- Venturi: Polypropylene
- 12" Lead Wires

BENEFITS

- Outstanding CFM Performance in High Pressure Systems
- Dependability with an 18 Month Warranty
- Extended Bearing Life
- Designed with optional performance features

PERFORMANCE GRAPH



80 x 32mm

Model Number	Rated Voltage	Operating Voltage Range	Rated Current	Rated Input Power	Speed	Rated Airflow		Rated Air Pressure		Noise
	VDC	VDC				CFM	m ³ /Hr	in H ₂ O	Pa	
ST05B	05	4.5 - 6	0.46	2.3	3400	34	58	0.23	57	40.9
ST12B	12	6 - 14	0.28	3.4	3400	34	58	0.23	57	40.9
ST24B	24	12 - 28	0.14	3.3	3400	34	58	0.23	57	40.9
ST48B	48	24 - 56	0.07	3.6	3400	34	58	0.23	57	40.9
ST12K	12	6 - 14	0.38	4.4	4200	40	68	0.33	82	44.2
ST24K	24	12 - 28	0.19	4.5	4200	40	68	0.33	82	44.2
ST48K	48	24 - 56	0.11	5.3	4200	40	68	0.33	82	44.2
ST12Z	12	6 - 14	0.38	6.2	4700	45	76	0.37	92	n/a
ST24Z	24	12 - 28	0.26	6.7	4700	45	76	0.37	92	n/a
ST48Z	48	24 - 56	0.15	7.2	4700	45	76	0.37	92	n/a

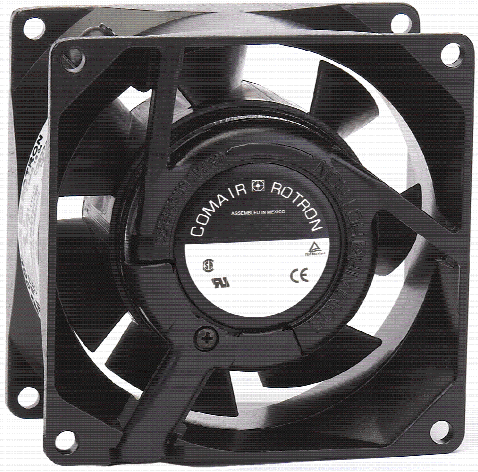
COMAIR ROTRON, INC

8929 Terman Court, San Diego, CA 92121
 Ph (858) 348-6200 Fax (858) 566-4577
 E-mail: sales@comairrotron.com,

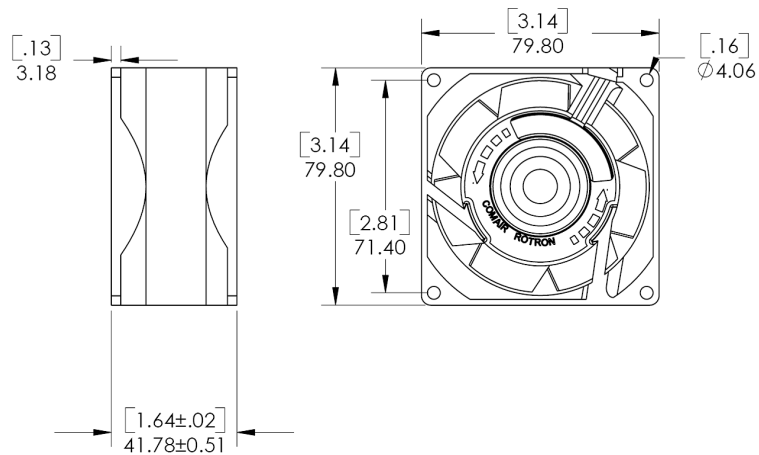


approvals pending

Sprite DC



MECHANICAL DRAWING



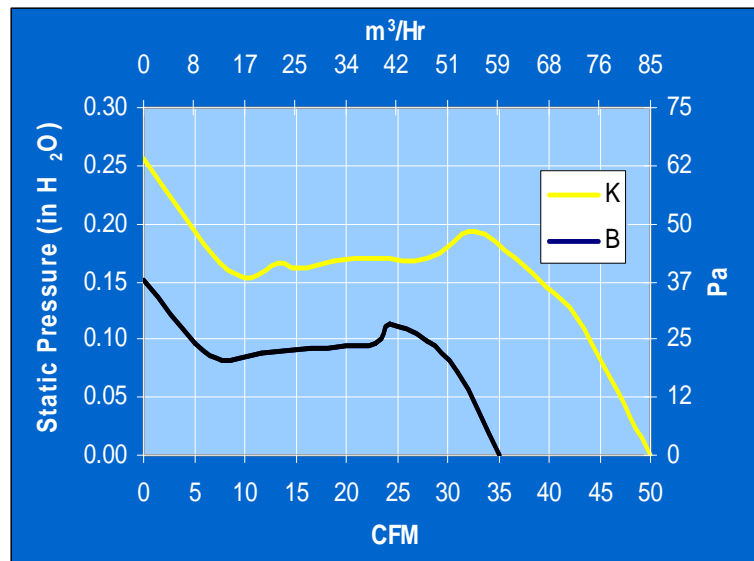
STANDARD FEATURES

- Size: 79.8 x 41.78mm deep (3.14" x 1.64")
- Operating Temperature: -10°C to +70°C
- Storage Temperature: -40°C to +85°C
- Weight: 510 g (180 oz)
- Dual Ball Bearings
- Impeller: Metal Alloy
- Venturi: Polypropylene
- 12" Lead Wires

BENEFITS

- Outstanding CFM Performance in High Pressure Systems
- Dependability with an 18 Month Warranty
- Extended Bearing Life
- Designed with optional performance features

PERFORMANCE GRAPH



80 x 42mm

Model Number	Rated Voltage	Operating Voltage Range	Rated Current	Rated Input Power	Speed	Rated Airflow		Rated Air Pressure		Noise
	VDC	VDC	Amps	Watts	RPM	CFM	m ³ /Hr	in H ₂ O	Pa	dBA
SD12B	12	6 - 14	0.25	3.0	3500	35	59	0.15	37	47.6
SD24B	24	12 - 28	0.13	3.0	3500	35	59	0.15	37	47.6
SD48B	48	24 - 56	0.06	3.0	3500	35	59	0.15	37	47.6
SD12K	12	12 - 28	0.45	5.4	4200	50	85	0.26	65	n/a
SD24K	24	24 - 56	0.32	7.7	4200	50	85	0.26	65	n/a

COMAIR ROTRON, INC

8929 Terman Court, San Diego, CA 92121
Ph (858) 348-6200

E-mail: sales@comairrotron.com,
Web: www.comairrotron.com

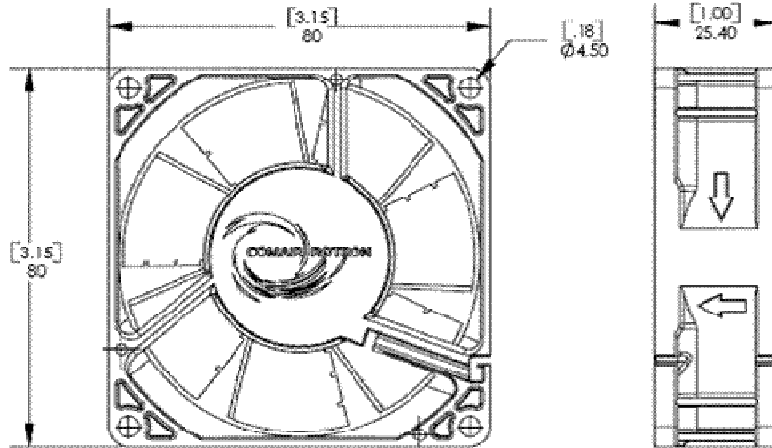


approvals pending

Flight II 80 DC



MECHANICAL DRAWING



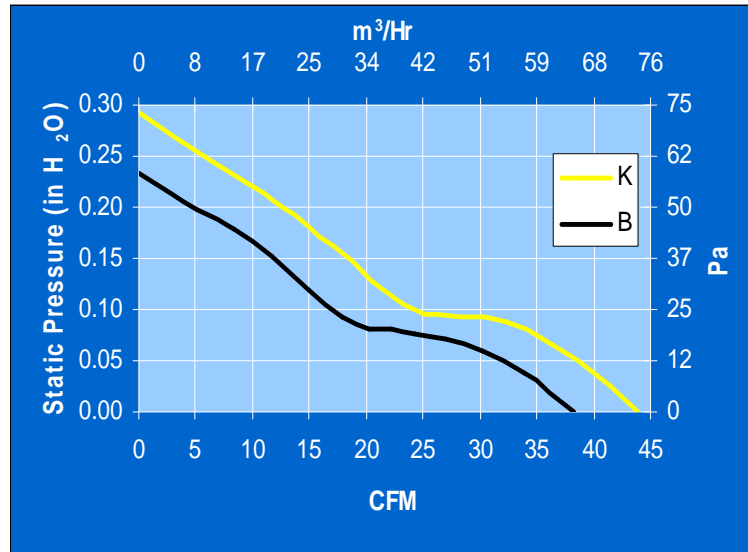
STANDARD FEATURES

- Size: 80 x 25.4mm deep (3.15" x 1")
- Operating Temperature: -10°C to +70°C
- Storage Temperature: -40°C to +85°C
- Weight: 130 g (4.6 oz)
- Dual Ball Bearings
- Impeller: Plastic
- Venturi: Plastic
- 12" Lead Wires

BENEFITS

- Outstanding CFM Performance in High Pressure Systems
- Dependability with an 18 Month Warranty
- Extended Bearing Life
- Designed with optional performance features

PERFORMANCE GRAPH



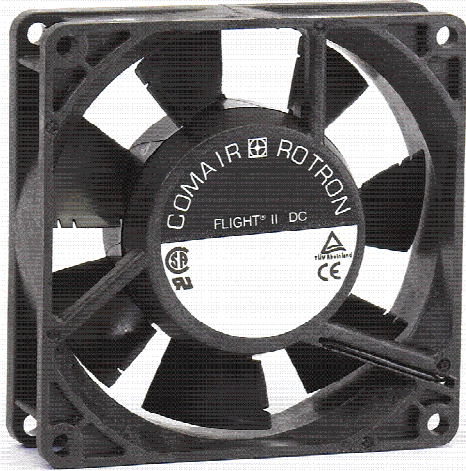
80 x 25 mm

Model Number	Rated Voltage	Operating Voltage Range	Rated Current	Rated Input Power	Speed	Rated Airflow		Rated Air Pressure		Noise
	VDC	VDC				CFM	m³/Hr	in H ₂ O	Pa	
FE05B	5	4.5 - 6	0.36	1.8	3574	37	63	0.23	57	36.2
FE12B	12	6 - 14	0.17	2.0	3574	37	63	0.23	57	36.2
FE24B	24	12 - 28	0.09	2.0	3574	37	63	0.23	57	36.2
FE48B	48	24 - 56	0.07	2.9	3574	37	63	0.23	57	36.2
FE12K	12	6 - 14	0.25	3.0	4100	45	76	0.31	77	40.8
FE24K	24	12 - 28	0.14	3.4	4100	45	76	0.31	77	40.8
FE48K	48	24 - 56	0.07	3.6	4100	45	76	0.31	77	40.8

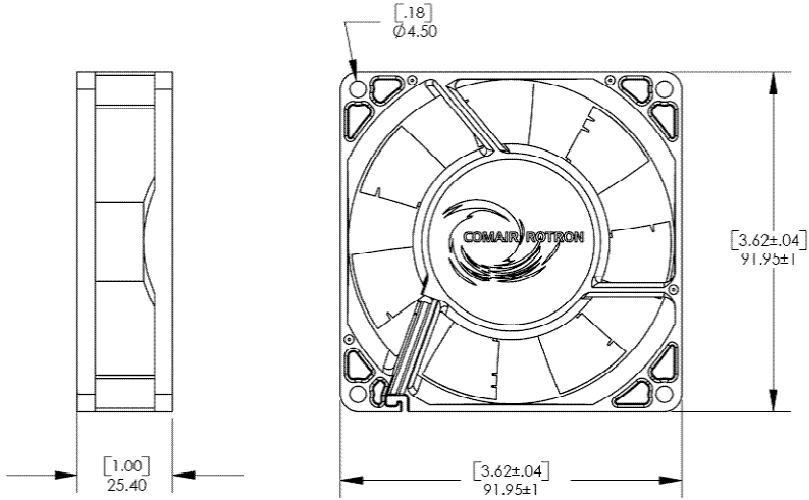
COMAIR ROTRON, INC
 8929 Terman Court, San Diego, CA 92121
 Ph (858) 348-6200 Fax (858) 566-4577
 E-mail: sales@comairrotron.com,
 Web: www.comairrotron.com



Flight II 90 DC



MECHANICAL DRAWING



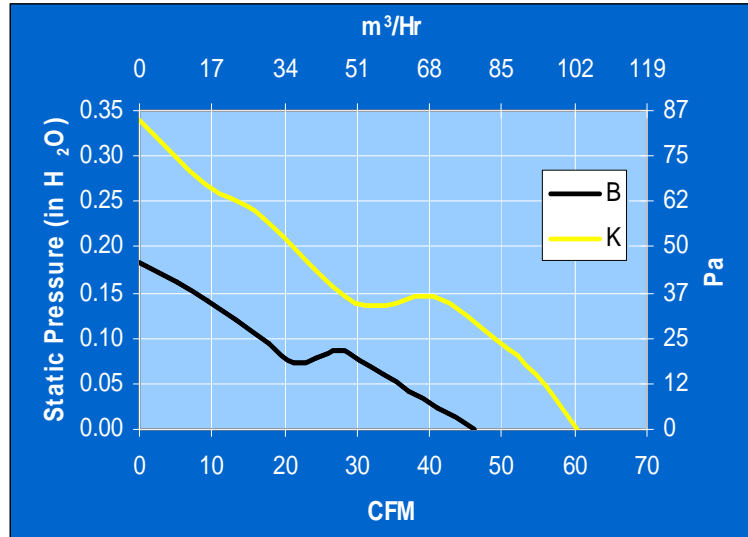
STANDARD FEATURES

- Size: 91.95 x 25.4mm deep (3.62" x 1")
- Operating Temperature: -10°C to +70°C
- Storage Temperature: -40°C to +85°C
- Weight: 150 g (5.2 oz)
- Dual Ball Bearings
- Impeller: Plastic
- Venturi: Plastic
- 12" Lead Wires

BENEFITS

- Outstanding CFM Performance in High Pressure Systems
- Dependability with an 18 Month Warranty
- Extended Bearing Life
- Designed with optional performance features

PERFORMANCE GRAPH



92 X 25 mm

Model Number	Rated Voltage	Operating Voltage Range	Rated Current	Rated Input Power	Speed	Rated Airflow		Rated Air Pressure		Noise
	VDC	VDC				CFM	m ³ /Hr	in H ₂ O	Pa	
FN12B	12	6 - 14	0.20	2.4	2784	45	76	0.18	44.8	38.1
FN24B	24	12 - 28	0.10	2.4	2784	45	76	0.18	44.8	38.1
FN48B	48	24 - 56	0.07	2.9	2784	45	76	0.18	44.8	38.1
FN12K	12	6 - 14	0.42	5.0	3982	60	102	0.34	84.7	48.6
FN24K	24	12 - 28	0.23	5.5	3982	60	102	0.34	84.7	48.6
FN48K	48	24 - 56	0.13	6.2	3982	60	102	0.34	84.7	48.6

COMAIR ROTRON, INC

8929 Terman Court, San Diego, CA 92121
 Ph (858) 348-6200 Fax (858) 566-4577
 E-mail: sales@comairrotron.com,
 Web: www.comairrotron.com

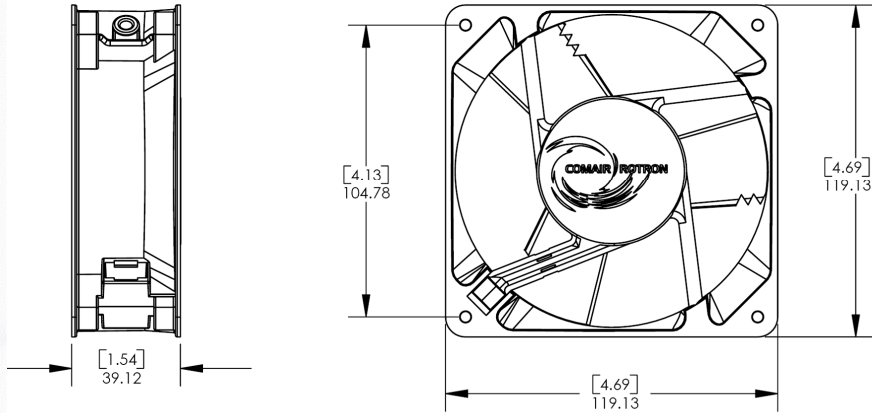


approvals pending

Whisper XL DC



MECHANICAL DRAWING



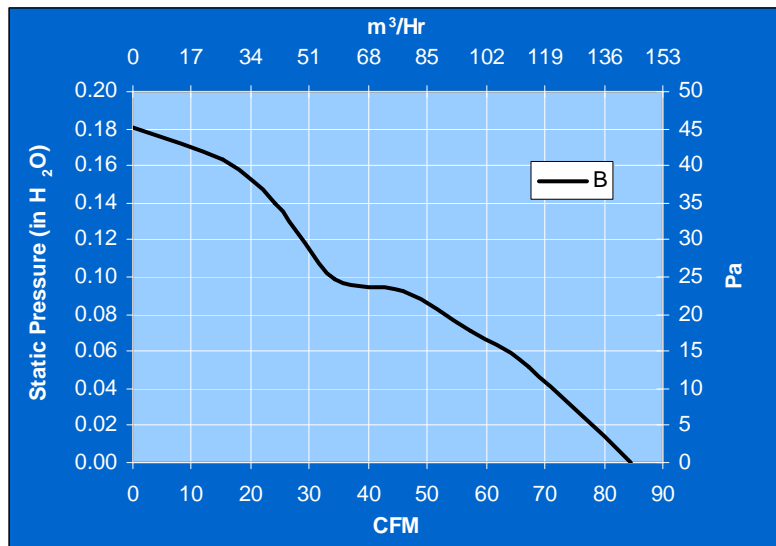
STANDARD FEATURES

- Size: 119.13 x 39.1mm deep (4.69" x 1.54")
- Operating Temperature: -10°C to +70°C
- Storage Temperature: -40°C to +85°C
- Weight: 610g (21.5oz.)
- Dual Ball Bearings
- Impeller: Polypropylene
- Venturi: Metal Alloy
- 12" Lead Wires

BENEFITS

- Outstanding CFM Performance in High Pressure Systems
- Dependability with an 18 Month Warranty
- Extended Bearing Life
- Designed with optional performance features

PERFORMANCE GRAPH



120 x 39mm

Model Number	Rated Voltage	Operating Voltage Range	Rated Current	Rated Input Power	Speed	Rated Airflow		Rated Air Pressure		Noise
	VDC	VDC	Amps	Watts	RPM	CFM	m ³ /Hr	in H ₂ O	Pa	dBA
WD12B	12	6 - 14	0.26	3.4	2525	85	144	0.18	45	41.4
WD24B	24	12 - 28	0.13	3.1	2525	85	144	0.18	45	41.4
WD48B	48	24 - 56	0.09	4.3	2525	85	144	0.18	45	41.4

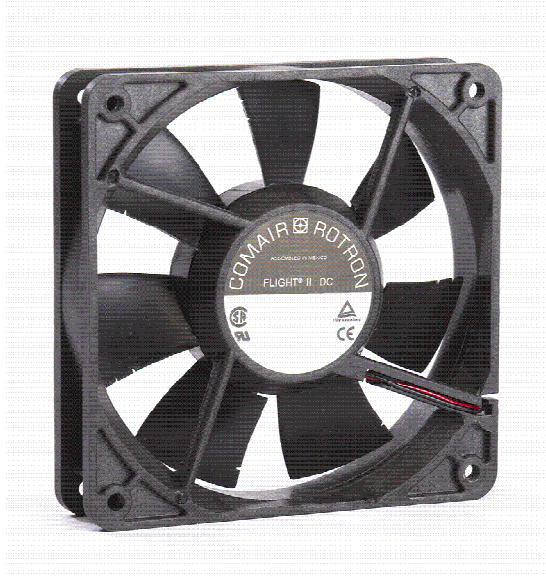
COMAIR ROTRON, INC

8929 Terman Court, San Diego, CA 92121
 Ph (858) 348-6200 Fax (858) 566-4577
 E-mail: sales@comairrotron.com,
 Web: www.comairrotron.com

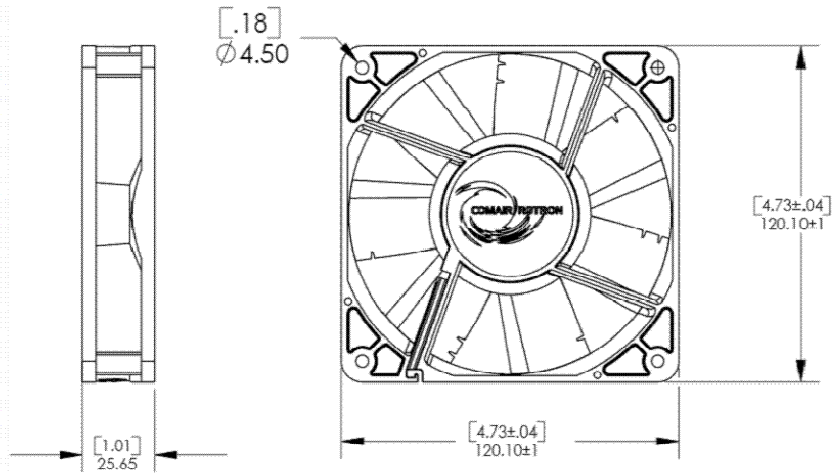


approvals pending

Flight II 120 DC



MECHANICAL DRAWING



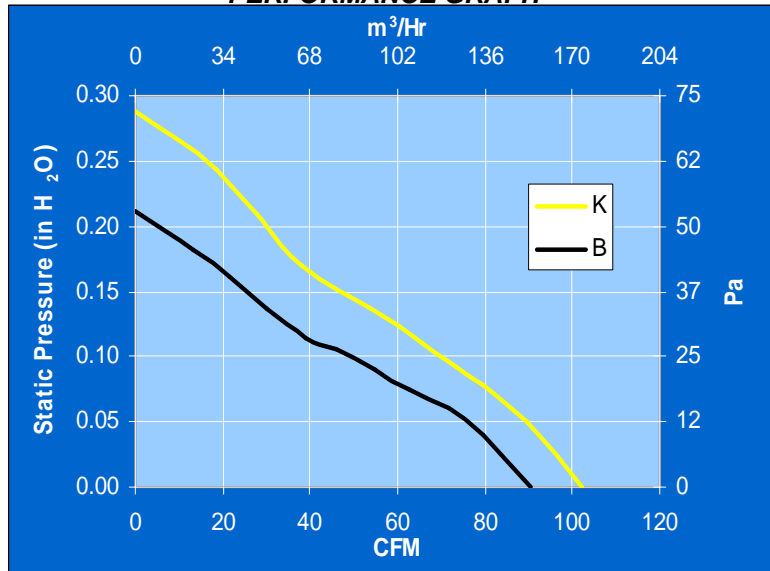
STANDARD FEATURES

- Size: 120.1 x 25.65mm deep (4.73" x 1.01")
- Operating Temperature: -10°C to +70°C
- Storage Temperature: -40°C to +85°C
- Weight: 200 g (7.0 oz)
- Dual Ball Bearings
- Impeller: Plastic
- Venturi: Plastic
- 12" Lead Wires

BENEFITS

- Outstanding CFM Performance in High Pressure Systems
- Dependability with an 18 Month Warranty
- Extended Bearing Life
- Designed with optional performance features

PERFORMANCE GRAPH



120 x 26 mm

Model Number	Rated Voltage	Operating Voltage Range	Rated Current	Rated Input Power	Speed	Rated Airflow		Rated Air Pressure		Noise
	VDC	VDC	Amps	Watts	RPM	CFM	m ³ /Hr	in H ₂ O	Pa	
FT12B	12	6 - 14	0.35	4.1	2924	90	153	0.21	52.3	42.9
FT24B	24	12 - 28	0.17	4.0	2924	90	153	0.21	52.3	42.9
FT48B	48	24 - 56	0.10	4.8	2924	90	153	0.21	52.3	42.9
FT12K	12	6 - 14	0.50	6.0	3500	103	175	0.29	72.2	47.6
FT24K	24	12 - 28	0.26	6.3	3500	103	175	0.29	72.2	47.6
FT48K	48	24 - 56	0.13	6.4	3500	103	175	0.29	72.2	47.6

COMAIR ROTRON, INC
 8929 Terman Court, San Diego, CA 92121
 Ph (858) 348-6200 Fax (858) 566-4577
 E-mail: sales@comairrotron.com,
 Web: www.comairrotron.com

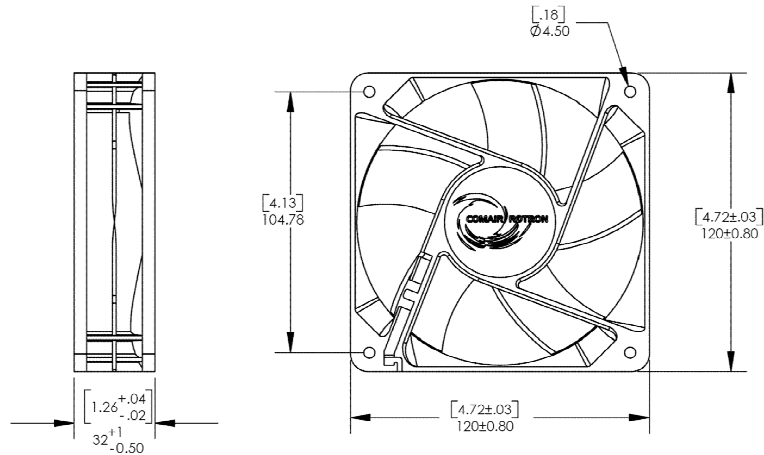


approvals pending

Muffin DC



MECHANICAL DRAWING



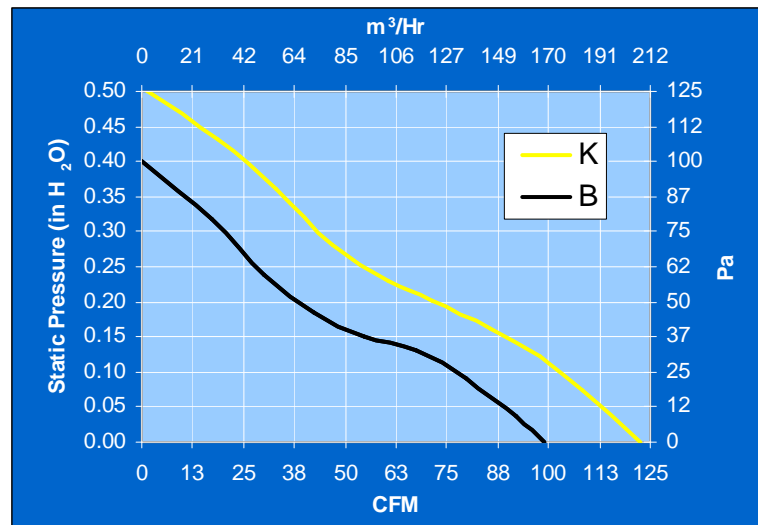
STANDARD FEATURES

- Size: 120 x 32mm deep (4.72" x 1.26")
- Operating Temperature: -10°C to +70°C
- Storage Temperature: -40°C to +85°C
- Weight: 240g (8.5 oz.)
- Dual Ball Bearings
- Impeller: Polypropylene
- Venturi: Plastic
- 12" Lead Wires

BENEFITS

- Outstanding CFM Performance in High Pressure Systems
- Dependability with an 18 Month Warranty
- Extended Bearing Life
- Designed with optional performance features

PERFORMANCE GRAPH



120 x 32 mm

Model Number	Rated Voltage	Operating Voltage Range	Rated Current	Rated Input Power	Speed	Rated Airflow		Rated Air Pressure		Noise
	VDC	VDC				CFM	m ³ /Hr	in H ₂ O	Pa	
MC12B	12	6 - 14	0.66	7.9	3700	102	173	0.35	87	47.8
MC24B	24	12 - 28	0.23	5.5	3700	102	173	0.35	87	47.8
MC48B	48	24 - 56	0.18	8.4	3700	102	173	0.35	87	47.8
MC12K	12	6 - 14	1.00	12.0	4500	118	199	0.51	127	n/a
MC24K	24	12 - 28	0.44	10.6	4500	118	199	0.51	127	n/a
MC48K	48	24 - 56	0.22	10.6	4500	118	199	0.51	127	n/a

COMAIR ROTRON, INC

8929 Terman Court, San Diego, CA 92121
 Ph (858) 348-6200 Fax (858) 566-4577
 E-mail: sales@comairrotron.com,
 Web: www.comairrotron.com

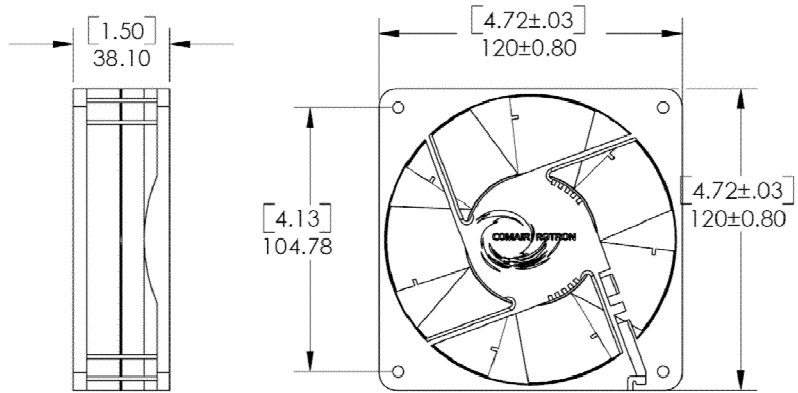


approvals pending

Muffin XP DC



MECHANICAL DRAWING



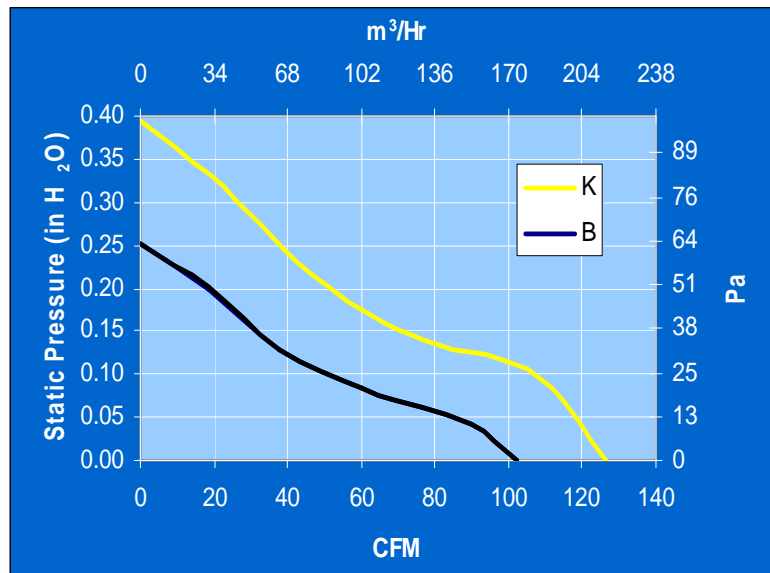
STANDARD FEATURES

- Size: 120 x 38.1mm deep (4.72" x 1.50")
- Operating Temperature: -10°C to +70°C
- Storage Temperature: -40°C to +85°C
- Weight: 250g (8.8 oz)
- Dual Ball Bearings
- Impeller: Plastic
- Venturi: Plastic
- 12" Lead Wires

BENEFITS

- Outstanding CFM Performance in High Pressure Systems
- Dependability with an 18 Month Warranty
- Extended Bearing Life
- Designed with optional performance features

PERFORMANCE GRAPH



120 x 38mm

Model Number	Rated Voltage	Operating Voltage Range	Rated Current	Rated Input Power	Speed	Rated Airflow		Rated Air Pressure		Noise
	VDC	VDC				CFM	m ³ /Hr	in H ₂ O	Pa	
MS12B	12	6 - 14	0.58	7.0	2900	110	187	0.25	62	49.5
MS24B	24	12 - 28	0.29	7.0	2900	110	187	0.25	62	49.5
MS48B	48	24 - 56	0.15	7.4	2900	110	187	0.25	62	49.5
MS12K	12	6 - 14	0.92	11.0	3450	127	216	0.40	100	53.4

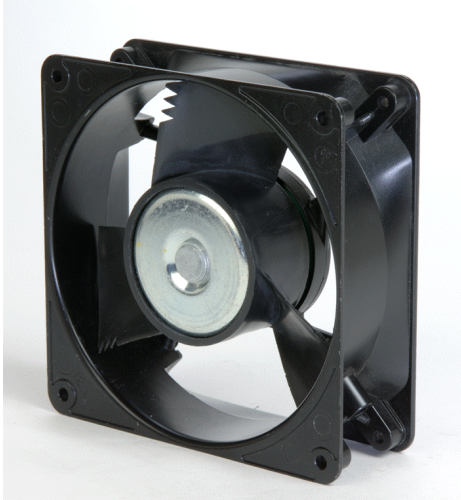
COMAIR ROTRON, INC

8929 Terman Court, San Diego, CA 92121
 Ph (858) 348-6200 Fax (858) 566-4577
 E-mail: sales@comairrotron.com,
 Web: www.comairrotron.com

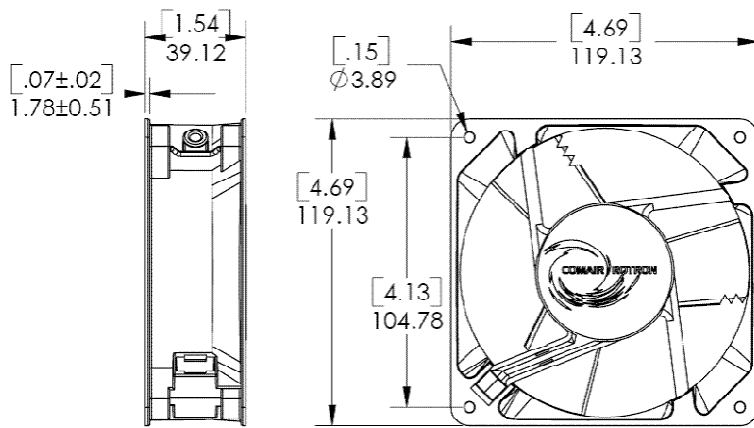


approvals pending

Muffin XL DC



MECHANICAL DRAWING



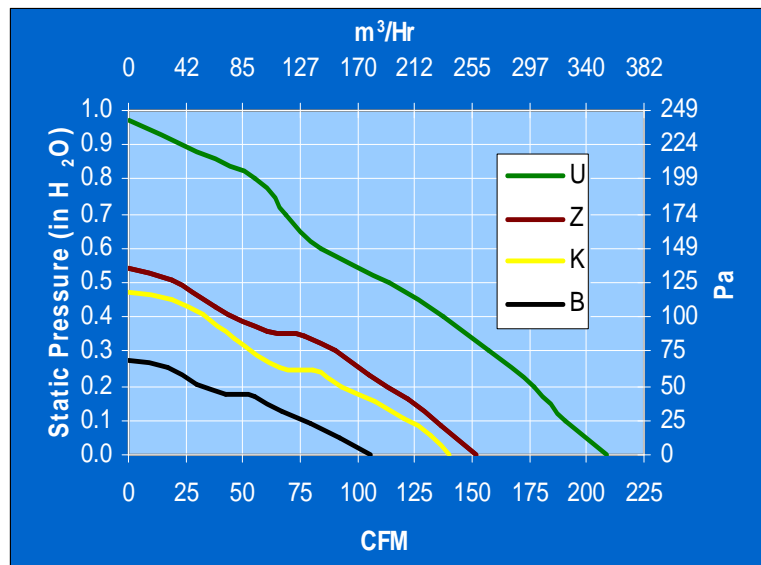
STANDARD FEATURES

- Size: 119.13mm x 39.12mm deep (4.69" x 1.54")
- Operating Temperature: -10°C to +70°C
- Storage Temperature: -40°C to +85°C
- Weight: 610g (1 lbs. 5.5 oz.)
- Dual Ball Bearings
- Impeller: polypropylene
- Venturi: Metal Alloy
- 12" Lead Wires

BENEFITS

- Outstanding CFM Performance in High Pressure Systems
- Dependability with an 18 Month Warranty
- Extended Bearing Life
- Designed with optional performance features

PERFORMANCE GRAPH



120 x 39 mm

Model Number	Rated Voltage	Operating Voltage Range	Rated Current	Rated Input Power	Speed	Rated Airflow		Rated Air Pressure		Noise
	VDC	VDC				CFM	m ³ /Hr	in H ₂ O	Pa	
MD12B	12	6 - 14	0.50	6.0	3330	110	187	0.28	69	50.0
MD24B	24	12 - 28	0.25	6.0	3330	110	187	0.28	69	50.0
MD28B	28	12 - 32	0.23	6.5	3330	110	187	0.28	69	50.0
MD48B	48	24 - 56	0.12	5.8	3330	110	187	0.28	69	50.0
MD60B	60	30 - 72	0.10	6.0	3330	110	187	0.28	69	50.0
MD24K	24	12 - 28	0.55	13.2	4100	140	238	0.47	117	55.5
MD24Z	24	12 - 28	0.60	14.4	4350	150	255	0.54	135	55.7
MDD24U	24	12 - 28	1.60	38.0	6300	210	355	0.97	242	65.0
MDD48U	48	24 - 56	0.80	38.0	6300	210	355	0.97	242	65.0

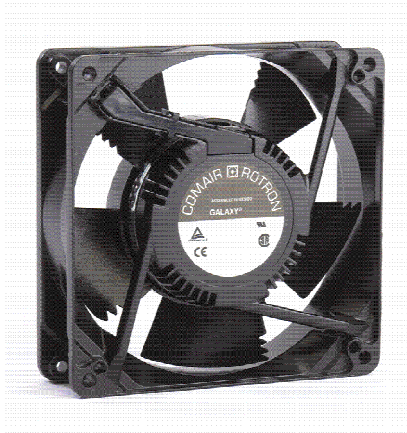
COMAIR ROTRON, INC

8929 Terman Court, San Diego, CA 92121
 Ph (858) 348-6200 Fax (858) 566-4577
 E-mail: sales@comairrotron.com,
 Web: www.comairrotron.com

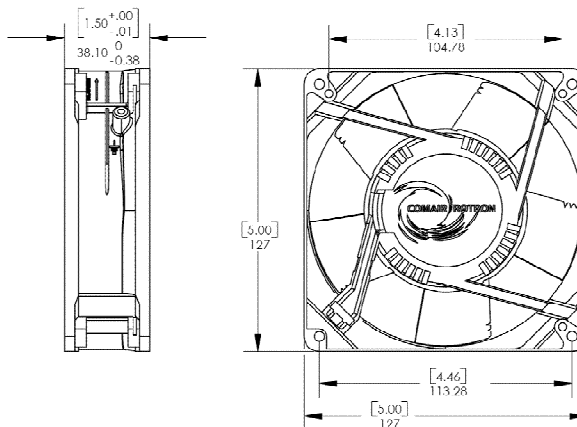


approvals pending

Galaxy DC



MECHANICAL DRAWING



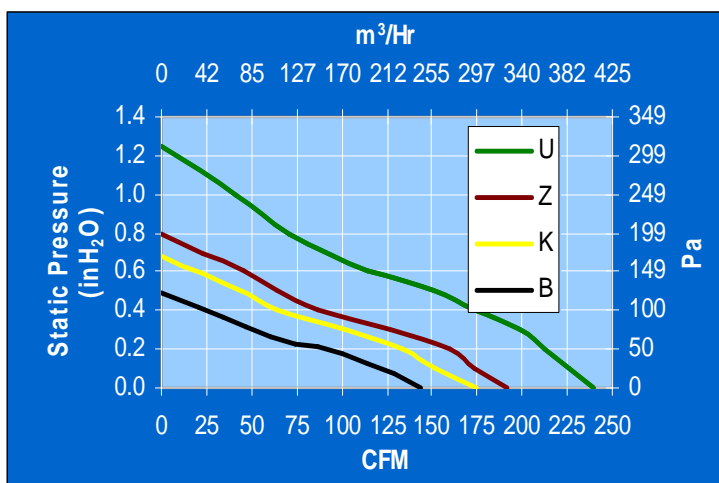
STANDARD FEATURES

- Size: 127 x 38.1mm deep (5.0" x 1.5")
- Operating Temperature: -10°C to +70°C
- Storage Temperature: -40°C to +85°C
- Weight: 620g (1.4 lbs)
- Dual Ball Bearings
- Impeller: Polycarbonate
- Venturi: Metal Alloy
- 12" Lead Wires

BENEFITS

- Outstanding CFM Performance in High Pressure Systems
- Dependability with an 18 Month Warranty
- Extended Bearing Life
- Designed with optional performance features

PERFORMANCE GRAPH



127 x 38 mm

Model Number	Rated Voltage	Operating Voltage Range	Rated Current	Rated Input Power	Speed	Rated Airflow		Rated Air Pressure		Noise
	VDC	VDC				CFM	m ³ /Hr	in H ₂ O	Pa	
GL12B	12	6 - 14	1.25	15.0	3200	150	255	0.49	122	53.6
GL24B	24	12 - 28	0.63	15.0	3200	150	255	0.49	122	53.6
GL48B	48	24 - 56	0.31	15.0	3200	150	255	0.49	122	53.6
GL12K	12	6 - 14	1.92	22.0	3900	175	297	0.68	169	57.2
GL24K	24	12 - 28	0.95	22.8	3900	175	297	0.68	169	57.2
GL48K	48	24 - 56	0.47	21.6	3900	175	297	0.68	169	57.2
GL12Z	12	6 - 14	2.50	30.0	4150	195	331	0.79	197	59.8
GL24Z	24	12 - 28	1.30	31.2	4150	195	331	0.79	197	59.8
GL48Z	48	24 - 56	0.60	28.8	4150	195	331	0.79	197	59.8
GLD24U	24	16 - 28	1.43	34.0	5170	240	407	1.25	311	65.0
GLD48U	48	40 - 52	0.72	34.0	5170	240	407	1.25	311	65.0

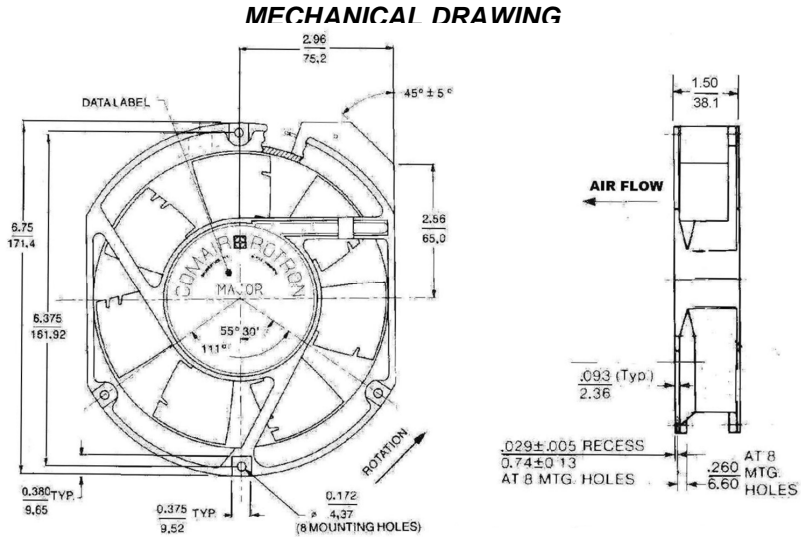
COMAIR ROTRON, INC

8929 Terman Court, San Diego, CA 92121
 Ph (858) 348-6200 Fax (858) 566-4577
 E-mail: sales@comairrotron.com,
 Web: www.comairrotron.com



approvals pending

Major XT DC



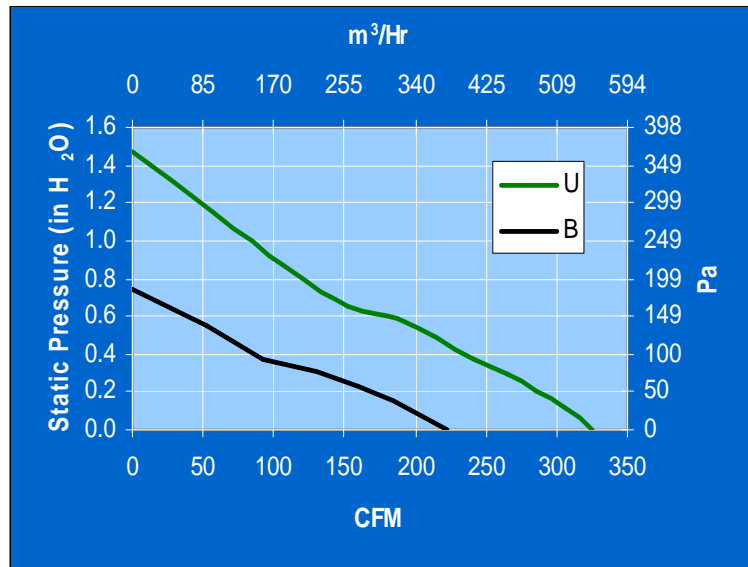
PERFORMANCE GRAPH

STANDARD FEATURES

- Size: 171.4mm x 150.4mm x 38.1mm deep (6.75" x 5.92" x 1.5")
- Operating Temperature: -10°C to +70°C
- Storage Temperature: -40°C to +85°C
- Weight: 700g (1.54 lbs.)
- Dual Ball Bearings
- Impeller: Polycarbonate
- Venturi: Die Cast Aluminum
- 12" Lead Wires

BENEFITS

- Outstanding CFM Performance in High Pressure Systems
- Dependability with an 18 Month Warranty
- Extended Bearing Life
- Designed with optional performance features



172 x 150 x 38 mm

Model Number	Rated Voltage	Operating Voltage Range	Rated Current	Rated Input Power	Speed RPM	Rated Airflow		Rated Air Pressure		Noise dBA
	VDC	VDC	Amps	Watts		CFM	m ³ /Hr	in H ₂ O	Pa	
MJ12B	12	6 - 14	2.20	25.0	3450	225	382	0.75	187	59.6
MJ24B	24	12 - 28	0.90	22.0	3450	225	382	0.75	187	59.6
MJ48B	48	24 - 56	0.45	22.0	3450	225	382	0.75	187	59.6
MJD24U	24	16 - 32	1.65	40.0	4846	325	552	1.47	366	63.1
MJD48U	48	28 - 72	0.83	40.0	4846	325	552	1.47	366	63.1

COMAIR ROTRON, INC
 8929 Terman Court, San Diego, CA 92121
 Ph (858) 348-6200 Fax (858) 566-4577
 E-mail: sales@comairrotron.com,
 Web: www.comairrotron.com

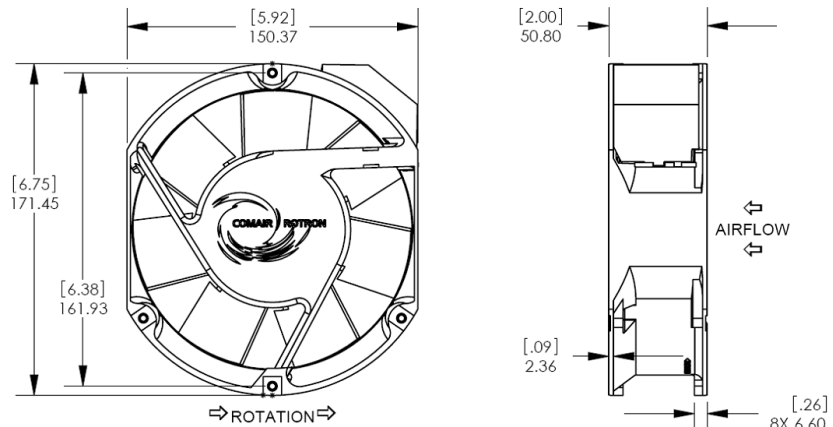


approvals pending

Major DC



MECHANICAL DRAWING



172 x 150 x 51 mm

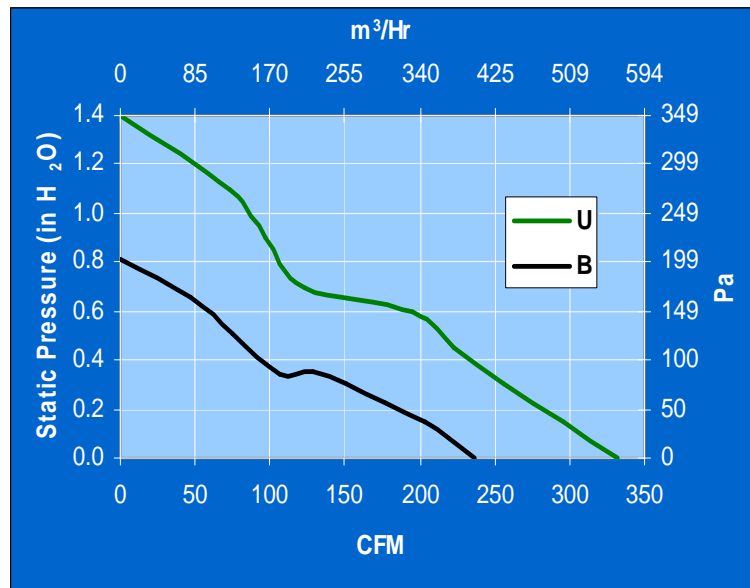
STANDARD FEATURES

- Size: 171.5 x 150.4 x 50.8mm deep (6.75" x 5.92" x 2.00")
- Operating Temperature: -10°C to +70°C
- Storage Temperature: -40°C to +85°C
- Weight: 815g(1.79 lbs)
- Dual Ball Bearings
- Impeller: Polycarbonate
- Venturi: Die Cast Aluminum
- 12" Lead Wires

BENEFITS

- Outstanding CFM Performance in High Pressure Systems
- Dependability with an 18 Month Warranty
- Extended Bearing Life
- Designed with optional performance features

PERFORMANCE GRAPH



Model Number	Rated Voltage	Operating Voltage Range	Rated Current	Rated Input Power	Speed	Rated Airflow		Rated Air Pressure		Noise
	VDC	VDC				CFM	m ³ /Hr	in H ₂ O	Pa	
JQ12B	12	6 - 14	2.26	27.1	3400	235	399	0.81	202	54.3
JQ24B	24	12 - 28	1.00	24.0	3400	235	399	0.81	202	54.3
JQ48B	48	24 - 56	0.46	22.0	3400	235	399	0.81	202	54.3
JQD24U	24	16 - 32	1.70	41.0	4830	335	564	1.40	349	64.0
JQD48U	48	28 - 72	0.85	41.0	4830	335	564	1.40	349	64.0

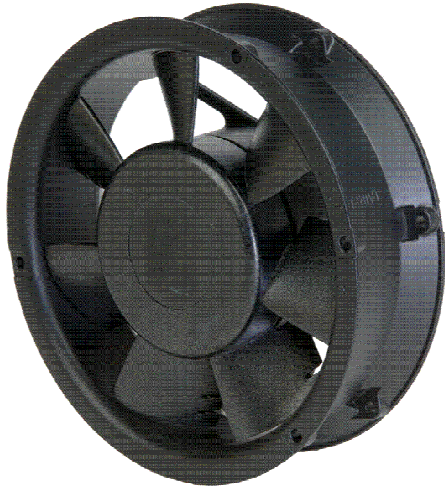
COMAIR ROTRON, INC

8929 Terman Court, San Diego, CA 92121
 Ph (858) 348-6200 Fax (858) 566-4577
 E-mail: sales@comairrotron.com,
 Web: www.comairrotron.com

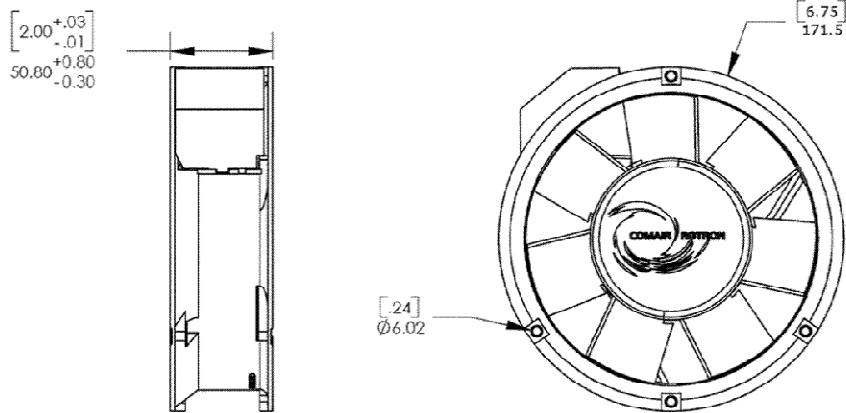


approvals pending

Patriot DC



MECHANICAL DRAWING



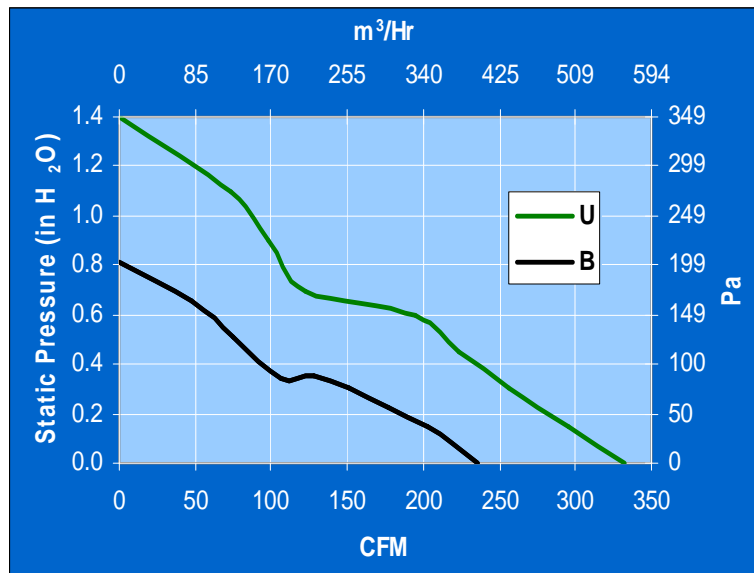
STANDARD FEATURES

- Size: 171.5 x 50.8mm deep (6.75" x 2.00")
- Operating Temperature: -10°C to +70°C
- Storage Temperature: -40°C to +85°C
- Weight: 825 (1.82 lbs)
- Dual Ball Bearings
- Impeller: Polycarbonate
- Venturi: Die Cast Aluminum
- 12" Lead Wires

BENEFITS

- Outstanding CFM Performance in High Pressure Systems
- Dependability with an 18 Month Warranty
- Extended Bearing Life
- Designed with optional performance features

PERFORMANCE GRAPH



172 x 51 mm

Model Number	Rated Voltage	Operating Voltage Range	Rated Current	Rated Input Power	Speed	Rated Airflow		Rated Air Pressure		Noise
	VDC	VDC	Amps	Watts	RPM	CFM	m ³ /Hr	in H ₂ O	Pa	
PQ12B	12	6 - 14	2.26	27.1	3400	235	399	0.81	202	54.3
PQ24B	24	12 - 28	1.00	24.0	3400	235	399	0.81	202	54.3
PQ48B	48	24 - 56	0.46	22.0	3400	235	399	0.81	202	54.3
PQD24U	24	16 - 32	1.70	41.0	4830	335	564	1.40	349	64.0
PQD48U	48	28 - 72	0.85	41.0	4830	335	564	1.40	349	64.0

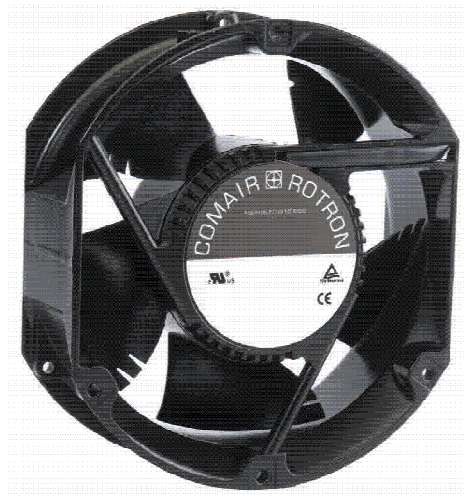
COMAIR ROTRON, INC

8929 Terman Court, San Diego, CA 92121
 Ph (858) 348-6200 Fax (858) 566-4577
 E-mail: sales@comairrotron.com,
 Web: www.comairrotron.com

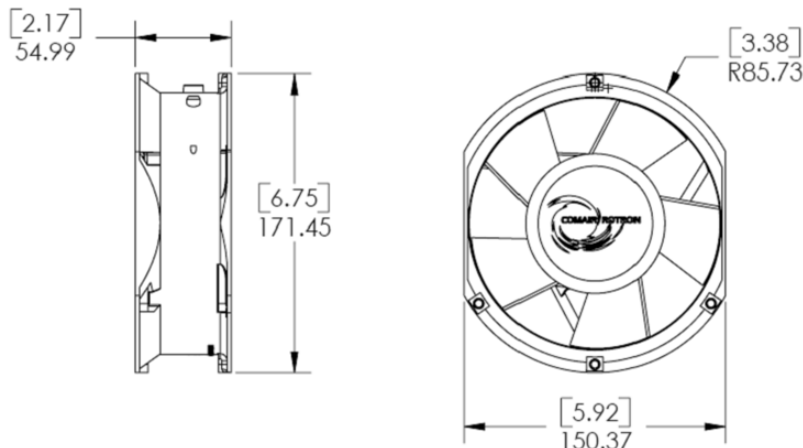


approvals pending

Maltese DC



MECHANICAL DRAWING



172 x 150 x 55 mm

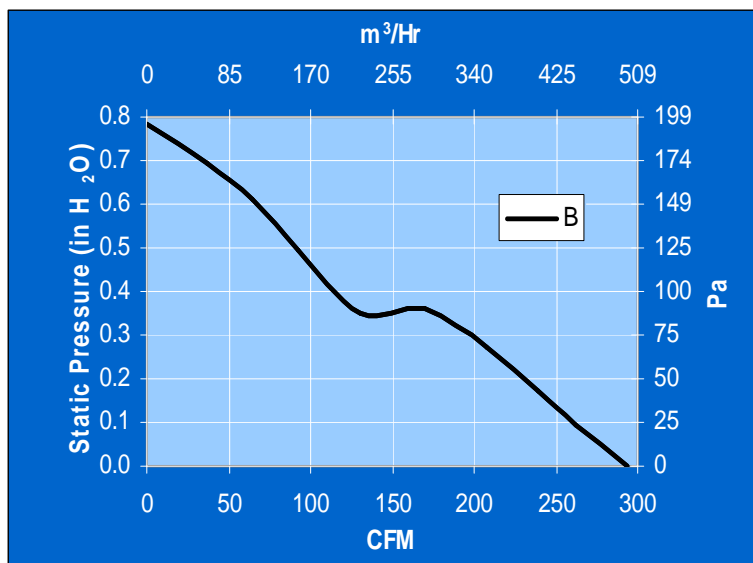
STANDARD FEATURES

- Size: 171.45 x 150.37 x 54.99mm deep (6.75" x 5.92" x 2.17")
- Operating Temperature: -10°C to +70°C
- Storage Temperature: -40°C to +85°C
- Weight: 860 g (1.89 lbs)
- Dual Ball Bearings
- Impeller: Polycarbonate
- Venturi: Die Cast Aluminum
- 12" Lead Wires

BENEFITS

- Outstanding CFM Performance in High Pressure Systems
- Dependability with an 18 Month Warranty
- Extended Bearing Life
- Designed with optional performance features

PERFORMANCE GRAPH



Model Number	Rated Voltage	Operating Voltage Range	Rated Current	Rated Input Power	Speed	Rated Airflow		Rated Air Pressure		Noise
	VDC	VDC				CFM	m ³ /Hr	in H ₂ O	Pa	
MT12B	12	16 - 24	3.0	36.0	3400	300	509	0.8	199	57.1
MT24B	24	12 - 28	1.5	35.5	3400	300	509	0.8	199	57.1
MT48B	48	24 - 56	0.7	34.5	3400	300	509	0.8	199	57.1

COMAIR ROTRON, INC

8929 Terman Court, San Diego, CA 92121
 Ph (858) 348-6200 Fax (858) 566-4577
 E-mail: sales@comairrotron.com,
 Web: www.comairrotron.com

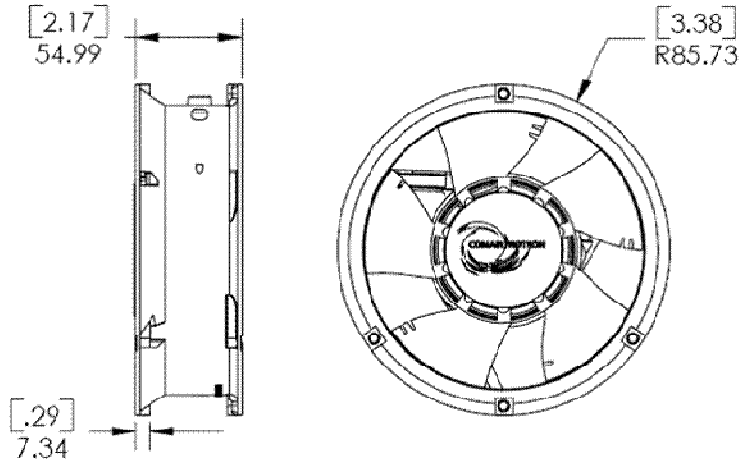


approvals pending

Falcon DC



MECHANICAL DRAWING



172 x 55 mm

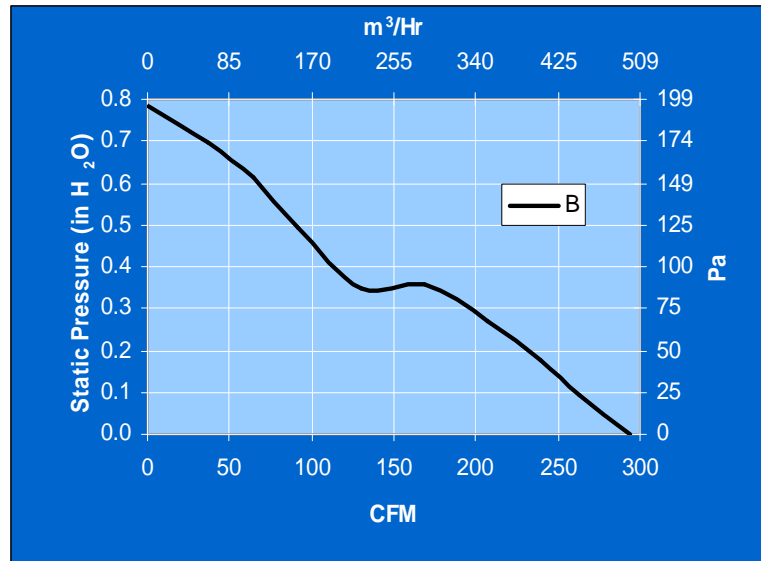
STANDARD FEATURES

- Size: 171.46 x 54.99mm deep (6.76" x 2.17")
- Operating Temperature: -10°C to +70°C
- Storage Temperature: -40°C to +85°C
- Weight: 870 g (1.92 lbs)
- Dual Ball Bearings
- Impeller: FR Polycarbonate
- Venturi: Die Cast Aluminum
- **12" Lead Wires**

BENEFITS

- Outstanding CFM Performance in High Pressure Systems
- Dependability with an 18 Month Warranty
- Extended Bearing Life
- Designed with optional performance features

PERFORMANCE GRAPH



Model Number	Rated Voltage	Operating Voltage Range	Rated Current	Rated Input Power	Speed	Rated Airflow		Rated Air Pressure		Noise
	VDC	VDC	Amps	Watts	RPM	CFM	m ³ /Hr	in H ₂ O	Pa	dBA
FD12B	12	16 - 24	3.0	36.0	3400	300	509	0.8	199	57.1
FD24B	24	12 - 28	1.5	35.5	3400	300	509	0.8	199	57.1
FD48B	48	24 - 56	0.7	34.5	3400	300	509	0.8	199	57.1

COMAIR ROTRON, INC
 8929 Terman Court, San Diego, CA 92121
 Ph (858) 348-6200 Fax (858) 566-4577
 E-mail: sales@comairrotron.com,
 Web: www.comairrotron.com

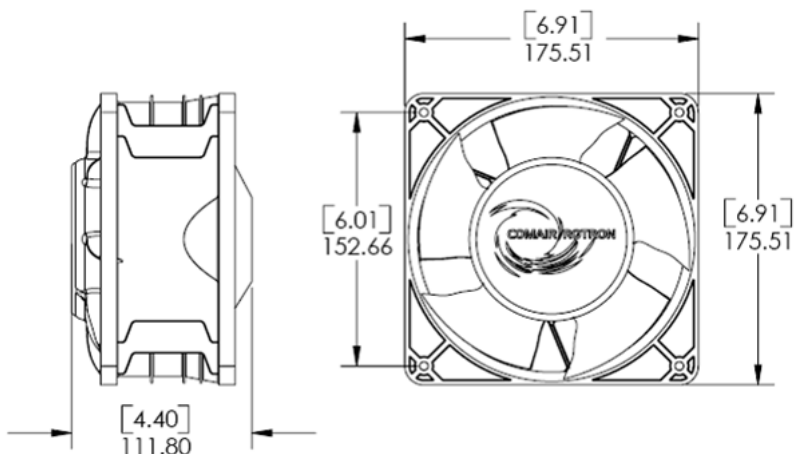


approvals pending

Tarzan DC



MECHANICAL DRAWING



176 x 112mm

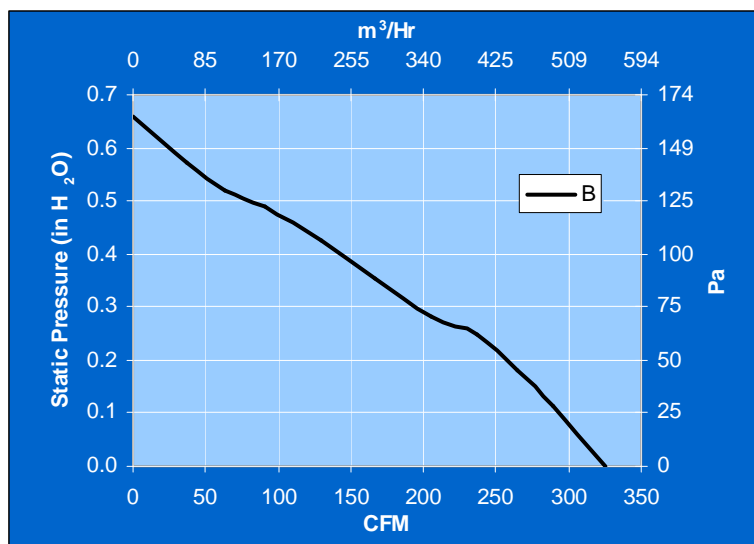
STANDARD FEATURES

- Size: 175.51 x 111.8mm deep (6.91" x 4.40")
- Operating Temperature: -10°C to +70°C
- Storage Temperature: -40°C to +85°C
- Weight: 2.25Kg (5.0 lbs.)
- Dual Ball Bearings
- Impeller: Plastic
- Venturi: Polycarbonate
- 12" Lead Wires

BENEFITS

- Outstanding CFM Performance in High Pressure Systems
- Dependability with an 18 Month Warranty
- Extended Bearing Life
- Designed with optional performance features

PERFORMANCE GRAPH



Model Number	Rated Voltage	Operating Voltage Range	Rated Current	Rated Input Power	Speed	Rated Airflow		Rated Air Pressure		Noise
	VDC	VDC	Amps	Watts	RPM	CFM	m ³ /Hr	in H ₂ O	Pa	dBA
TD12B	12	6 - 14	2.7	30	3315	330	560	0.66	167	n/a
TD24B	24	12 - 28	1.3	30	3315	330	560	0.66	167	n/a
TD48B	48	24 - 56	0.6	30	3315	330	560	0.66	167	n/a

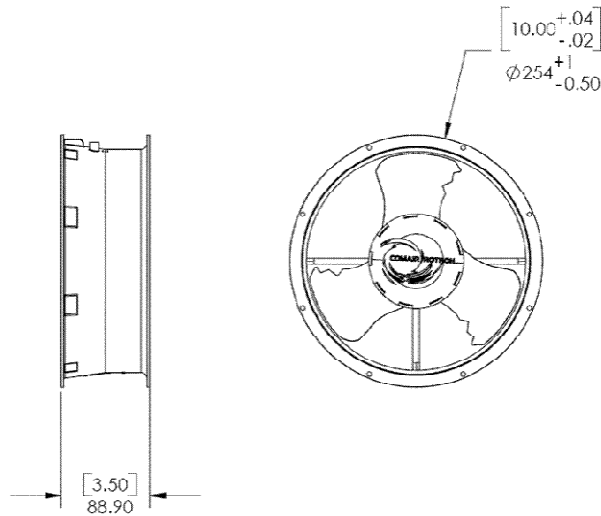
COMAIR ROTRON, INC
 8929 Terman Court, San Diego, CA 92121
 Ph (858) 348-6200 Fax (858) 566-4577
 E-mail: sales@comairrotron.com,
 Web: www.comairrotron.com



Caravel DC



MECHANICAL DRAWING



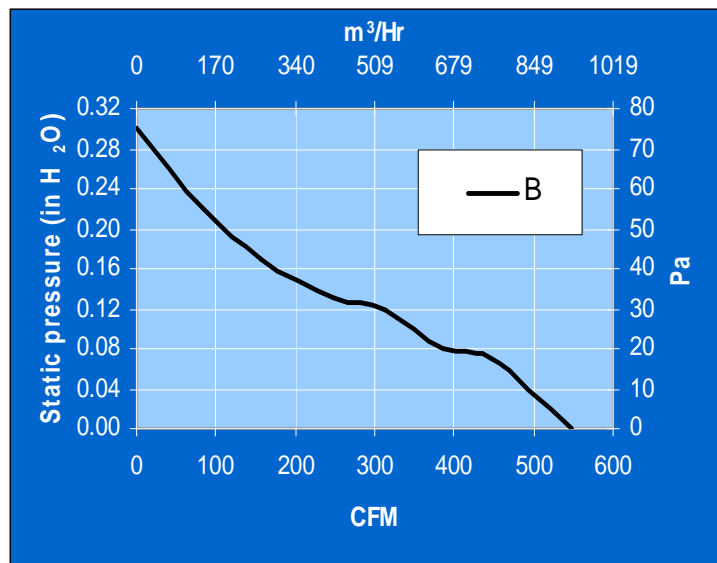
STANDARD FEATURES

- Size: 254 x 88.9mm deep (10" x 3.5")
- Operating Temperature: -10°C to +70°C
- Storage Temperature: -40°C to +85°C
- Weight: 2 Kg (4.4 lbs)
- Dual Ball Bearings
- Impeller: FR Polycarbonate
- Venturi: Die Cast Aluminum
- 12" Lead Wires

BENEFITS

- Outstanding CFM Performance in High Pressure Systems
- Dependability with an 18 Month Warranty
- Extended Bearing Life
- Designed with optional performance features

PERFORMANCE GRAPH



254 x 89 mm

Model Number	Rated Voltage	Operating Voltage Range	Rated Current	Rated Input Power	Speed	Rated Airflow		Rated Air Pressure		Noise
	VDC	VDC	Amps	Watts	RPM	CFM	m ³ /Hr	in H ₂ O	Pa	dBA
CD12B	12	16 - 24	2.8	34	1650	550	933	0.3	74.7	49.1
CD24B	24	12 - 28	1.2	29	1650	550	933	0.3	74.7	49.1
CD48B	48	24 - 56	0.6	30	1650	550	933	0.3	74.7	49.1

COMAIR ROTRON, INC

8929 Terman Court, San Diego, CA 92121
 Ph (858) 348-6200 Fax (858) 566-4577
 E-mail: sales@comairrotron.com,
 Web: www.comairrotron.com

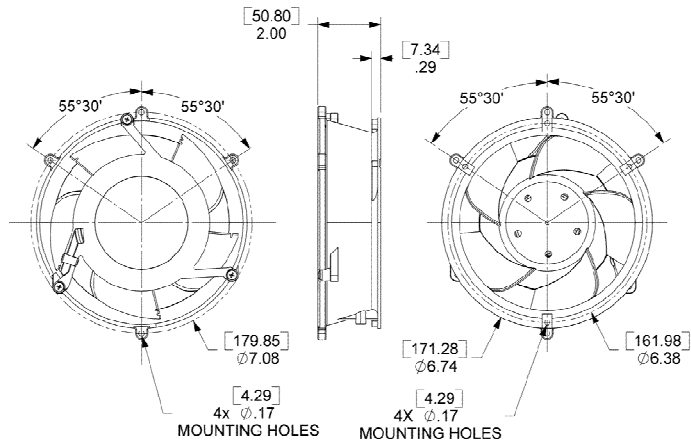


approvals pending

Mixtus 6.8



MECHANICAL DRAWING



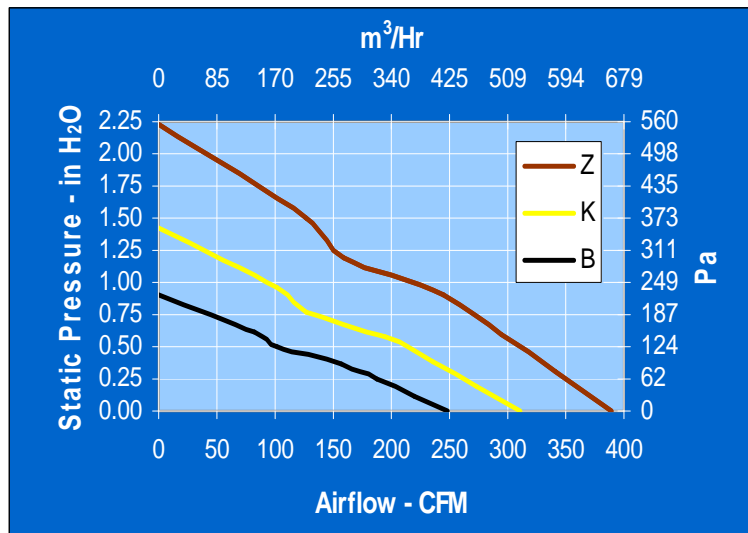
STANDARD FEATURES

- Size: 182mm x 50.8mm, 7.17" x 2.00"
- Acoustic: 69.1 dBA
- Nominal Operating Voltage: 36-72 VDC
- Operating Temperature: -10°C to +70°C
- Storage Temperature: -40°C to +80°C
- Permanently Lubricated Ball Bearings
- Termination: Lead Wires
- Two Piece, Die Cast Aluminum Venturi
- 12.0" 20 AWG, UL 1061 Style Leadwires
- Propeller: UL94V-0 PBT

BENEFITS

- High Pressure DC Cooling with multiple configurations to meet customers needs
- Outstanding Airflow
- True Dependability With an 18 Month Warranty
- Expected Life of 50,000 Hours @ 40°C
- High Performance Competitively Priced Fan
- Available Standard with Open Collector Tachometer & PWM

Performance Graph



182 X 51 mm

Model Number	Rated Voltage	Operating Voltage Range	Rated Current	Rated Input Power	Speed	Rated Airflow		Rated Air Pressure		Noise
	VDC	VDC				CFM	m³/Hr	in H ₂ O	Pa	
MFX24B	24	16 - 32	1.0	25	3232	250	423	0.91	227	59.4
MFX48B	48	24 - 72	0.5	25	3232	250	423	0.91	227	59.4
MFX24K	24	16 - 32	2.0	49	4040	311	529	1.43	355	64.3
MFX48K	48	24 - 72	1.0	49	4040	311	529	1.43	355	64.3
MFX24Z	24	16 - 32	4.0	96	5050	390	661	2.23	555	69.1
MFX48Z	48	24 - 72	2.0	96	5050	390	661	2.23	555	69.1

COMAIR ROTRON, INC
 8929 Terman Court, San Diego, CA 92121
 Ph (858) 348-6200 Fax (858) 566-4577
 E-mail: sales@comairrotron.com,
 Web: www.comairrotron.com

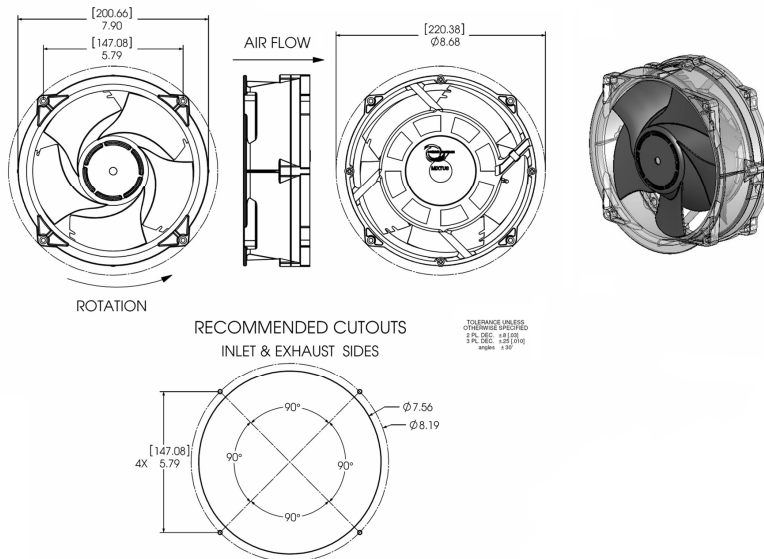


Mixtus 7.9

E Series



MECHANICAL DRAWING



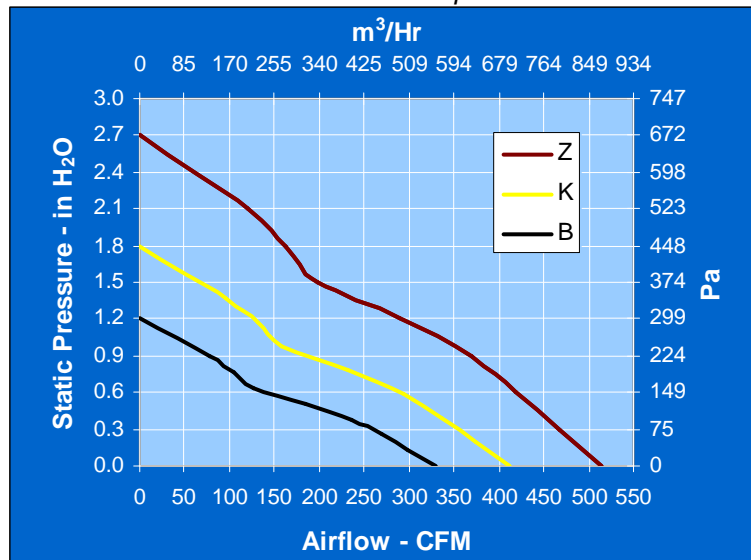
STANDARD FEATURES

- Size: 7.90" x 2.75" (200.66mm x 69.85mm)
- Nominal Operating Voltage: 24 or 48 VDC
- Operating Temperature: -10°C to +70°C
- Storage Temperature: -40°C to +80°C
- Permanently Lubricated Ball Bearings
- Termination: Lead Wires
- Two Piece, Die Cast Aluminum Venturi
- 12.0" 22 AWG, UL 1061 Style Lead Wires
- Propeller: PBT
- Weight: 4 lbs. (1.81 Kg)
- Life Expectancy: 70,000 hours @ 40° C

BENEFITS

- High Pressure Mixed Flow Cooling with Multiple Configurations to Meet Customers Needs
- Outstanding Airflow
- True Dependability with 18 Month Warranty
- High Performance Competitively Priced Fan
- Available Standard with Open Collector Tachometer & PWM

Performance Graph



220 X 70 mm

Model Number	Rated Voltage	Operating Voltage Range	Rated Current	Rated Input Power	Speed	Rated Airflow		Rated Air Pressure		Noise
	VDC	VDC	Amps	Watts	RPM	CFM	m ³ /min	in H ₂ O	Pa	
MFSE24B	24	16 - 32	1.0	29	2880	330	560	1.2	298	55.0
MFSE48B	48	24 - 72	0.6	29	2880	330	560	1.2	298	55.0
MFSE24K	24	16 - 32	2.0	48	3600	416	706	1.8	448	60.6
MFSE48K	48	24 - 72	1.0	48	3600	416	706	1.8	448	60.6
MFSE24Z	24	16 - 32	4.0	96	4500	520	883	2.7	672	65.4
MFSE48Z	48	24 - 72	2.0	96	4500	520	883	2.7	672	65.4

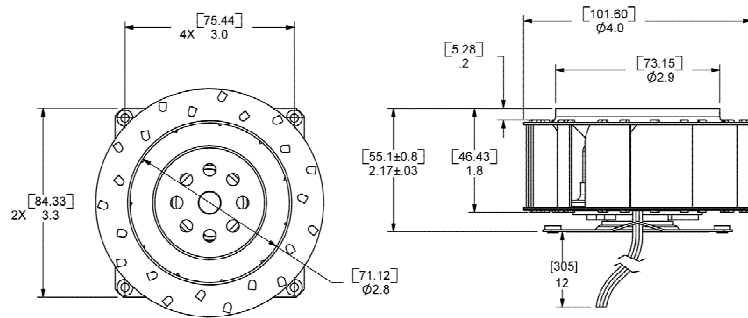
COMAIR ROTRON, INC
 8929 Terman Court, San Diego, CA 92121
 Ph (858) 348-6200 Fax (858) 566-4577
 E-mail: sales@comairrotron.com,
 Web: www.comairrotron.com



Diplomat DD4021



MECHANICAL DRAWING



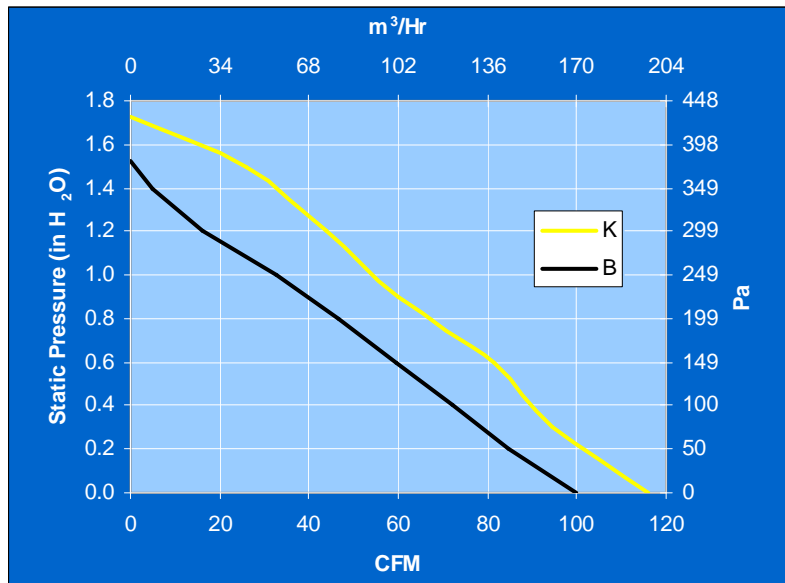
STANDARD FEATURES

- Size: 101.6x 55.1mm deep (4.0" x 2.17")
- Operating Temperature: -10°C to +70°C
- Storage Temperature: -40°C to +85°C
- Weight: 355 g (0.783 lbs)
- Dual Ball Bearings
- Impeller: Aluminum
- Termination: Lead Wires

BENEFITS

- Outstanding CFM Performance in High Pressure Systems
- Dependability with an 18 Month Warranty
- Extended Bearing Life
- Soft Start Capability
- Designed with optional performance Features

PERFORMANCE GRAPH



102 X 55 mm

Model Number	Rated Voltage	Operating Voltage Range	Rated Current	Rated Input Power	Speed	Rated Airflow		Rated Air Pressure		Noise
	VDC	VDC				CFM	m ³ /Hr	in H ₂ O	Pa	
DD402112B	12	12 - 28	2.10	25.2	4950	100	170	1.64	408	59
DD402124B	24	24 - 56	0.92	22.1	4950	100	170	1.64	408	59
DD402148B	48	12 - 28	0.38	18.2	4950	100	170	1.64	408	59
DD402112K	12	24 - 56	2.75	33.0	5865	115	195	2.01	501	67
DD402124K	24	12 - 28	1.33	32.0	5865	115	195	2.01	501	67
DD402148K	48	24 - 56	0.81	39.0	5865	115	195	2.01	501	67

COMAIR ROTRON, INC
 8929 Terman Court, San Diego, CA 92121
 Ph (858) 348-6200 Fax (858) 566-4577
 E-mail: sales@comairrotron.com,
 Web: www.comairrotron.com



Diplomat DD5236



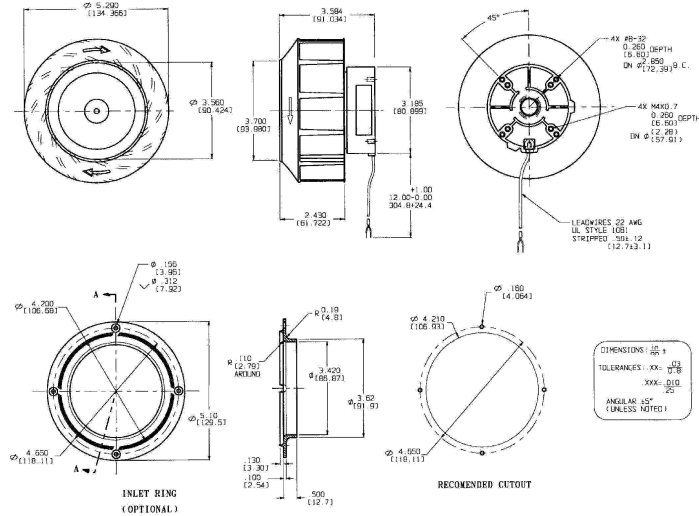
STANDARD FEATURES

- Size: 135 x 91 mm deep (5.29" x 3.60")
- Operating Temperature: -10°C to +70°C
- Storage Temperature: -40°C to +85°C
- Weight: 680 g (1.50 lbs)
- Dual Ball Bearings
- Impeller: Plastic
- Termination: Lead Wires

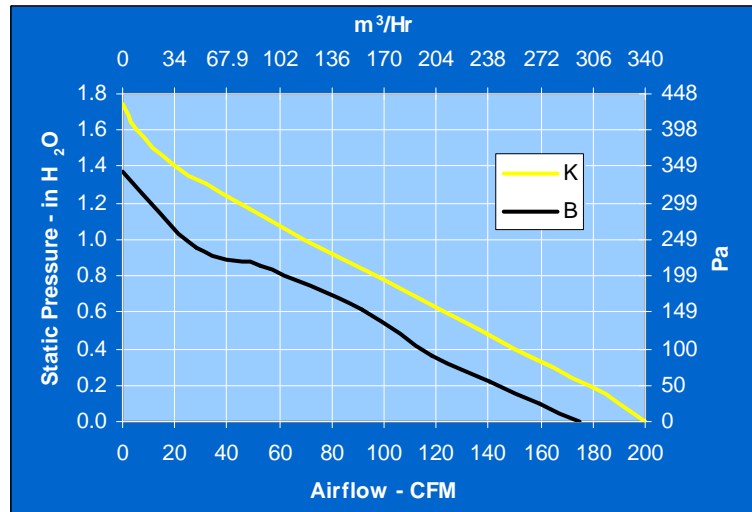
BENEFITS

- Outstanding CFM Performance in High Pressure Systems
- Dependability with an 18 Month Warranty
- Extended Bearing Life
- Soft Start Capability
- Designed with optional performance Features

MECHANICAL DRAWING



PERFORMANCE GRAPH



135 X 91 mm

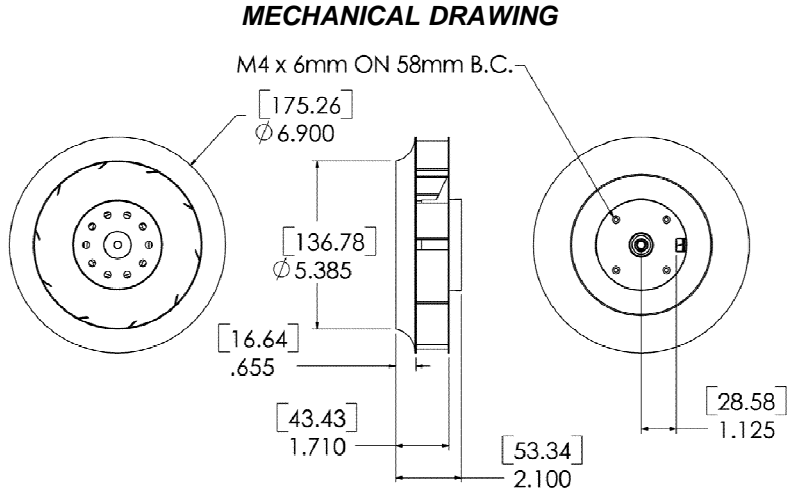
Model Number	Rated Voltage	Operating Voltage Range	Rated Current	Rated Input Power	Speed	Rated Airflow		Rated Air Pressure		Noise
	VDC	VDC	Amps	Watts	RPM	CFM	m ³ /hr	in H ₂ O	Pa	
DD523612B	12	12 - 28	2.50	30.0	3400	175	297	1.37	341	62.9
DD523624B	24	24 - 56	1.10	26.0	3400	175	297	1.37	341	62.9
DD523648B	48	12 - 28	0.51	24.0	3400	175	297	1.37	341	62.9
DD523612K	12	24 - 56	3.80	45.6	3980	200	340	1.75	436	65.9
DD523624K	24	12 - 28	1.60	38.4	3980	200	340	1.75	436	65.9
DD523648K	48	24 - 56	0.65	31.2	3980	200	340	1.75	436	65.9

COMAIR ROTRON, INC
 8929 Terman Court, San Diego, CA 92121
 Ph (858) 348-6200 Fax (858) 566-4577
 E-mail: sales@comairrotron.com,
 Web: www.comairrotron.com



approvals pending

Diplomat DD6921



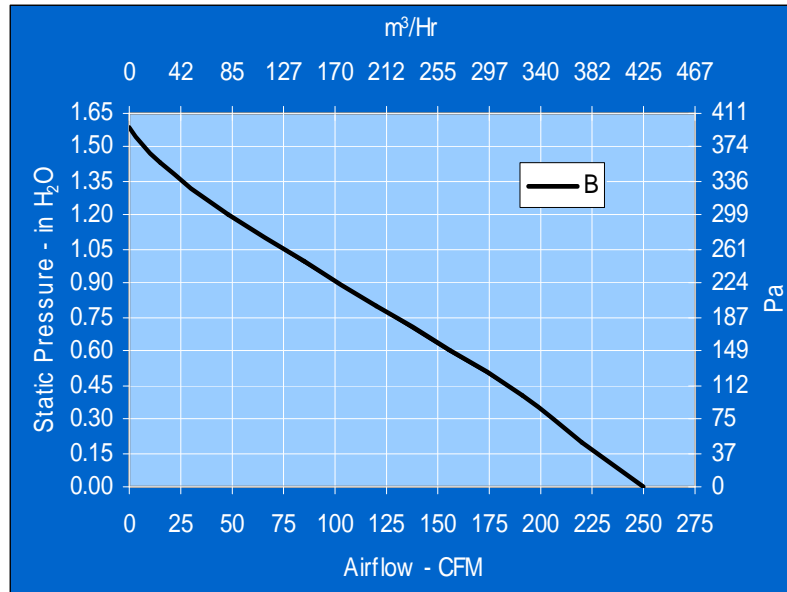
STANDARD FEATURES

- Size: 175.26 mm x 53.34 mm deep (6.9" x 2.1")
- Operating Temperature: -10°C to +70°C
- Storage Temperature: -40°C to +85°C
- Weight: 860 g (1.90 lbs)
- Dual Ball Bearings
- Impeller: Galvanized Metal
- Termination: Lead Wires

BENEFITS

- Outstanding CFM Performance in High Pressure Systems
- Dependability with an 18 Month Warranty
- Extended Bearing Life
- Soft Start Capability
- Designed with optional performance Features

PERFORMANCE GRAPH



175 X 53 mm

Model Number	Rated Voltage	Operating Voltage Range	Rated Current	Rated Input Power	Speed	Rated Airflow		Rated Air Pressure		Noise
	VDC	VDC	Amps	Watts		CFM	m ³ /Hr	in H ₂ O	Pa	
DD692112B	12	24 - 56	3.0	36	3085	250	425	1.6	398	68
DD692124B	24	12 - 28	1.3	31	3085	250	425	1.6	398	68
DD692148B	48	24 - 56	0.7	31	3085	250	425	1.6	398	68

COMAIR ROTRON, INC
 8929 Terman Court, San Diego, CA 92121
 Ph (858) 348-6200 Fax (858) 566-4577
 E-mail: sales@comairrotron.com,
 Web: www.comairrotron.com



approvals pending

Diplomat DD7527



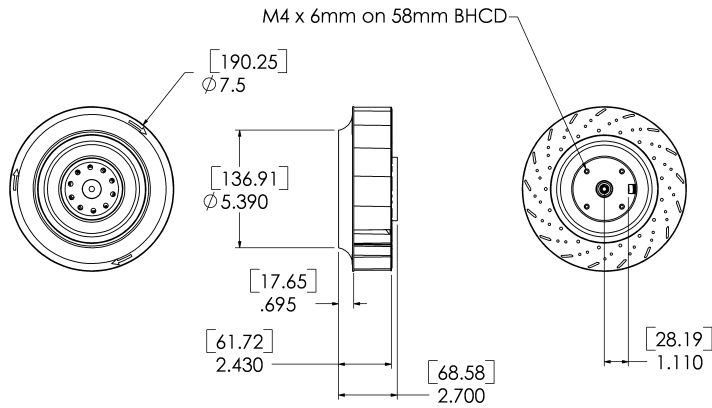
STANDARD FEATURES

- Size: 190.25 x 68.58 mm deep (7.50" x 2.70")
- Operating Temperature: -10°C to +70°C
- Storage Temperature: -40°C to +85°C
- Weight: 1045 g (2.3 lbs)
- Dual Ball Bearings
- Impeller: Plastic
- Termination: Lead Wires

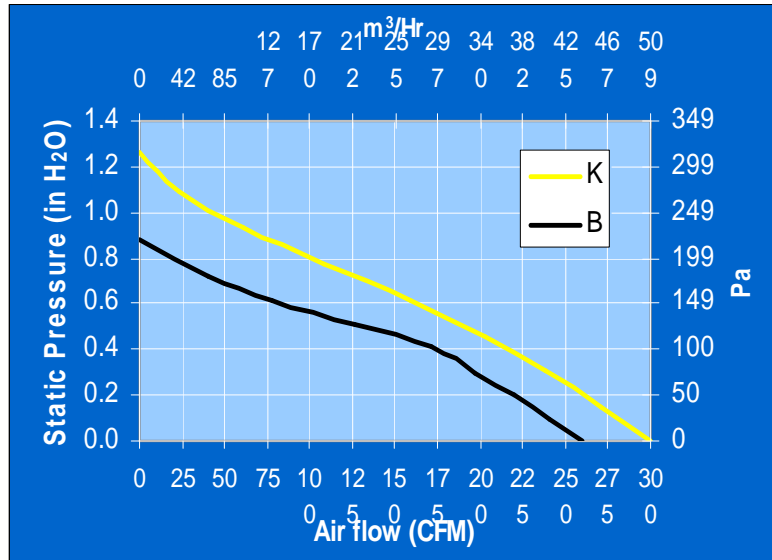
BENEFITS

- Outstanding CFM Performance in High Pressure Systems
- Dependability with an 18 Month Warranty
- Extended Bearing Life
- Soft Start Capability
- Designed with optional performance Features

MECHANICAL DRAWING



PERFORMANCE GRAPH



190 X 69 mm

Model Number	Rated Voltage	Operating Voltage Range	Rated Current	Rated Input Power	Speed	Rated Airflow		Rated Air Pressure		Noise
	VDC	VDC	Amps	Watts	RPM	CFM	m ³ /Hr	in H ₂ O	Pa	dBA
DD752712B	12	24 - 56	2.10	25.2	2020	264	380	0.9	224	58
DD752724B	24	12 - 28	1.14	27.4	2020	264	380	0.9	224	58
DD752748B	48	24 - 56	0.57	27.3	2020	264	380	0.9	224	58
DD752712K	12	24 - 56	3.50	42.0	2020	300	509	1.3	324	61
DD752724K	24	12 - 28	1.50	36.0	2020	300	509	1.3	324	61
DD752748K	48	24 - 56	0.70	33.6	2020	300	509	1.3	324	61

COMAIR ROTRON, INC

8929 Terman Court, San Diego, CA 92121
 Ph (858) 348-6200 Fax (858) 566-4577
 E-mail: sales@comairrotron.com,
 Web: www.comairrotron.com

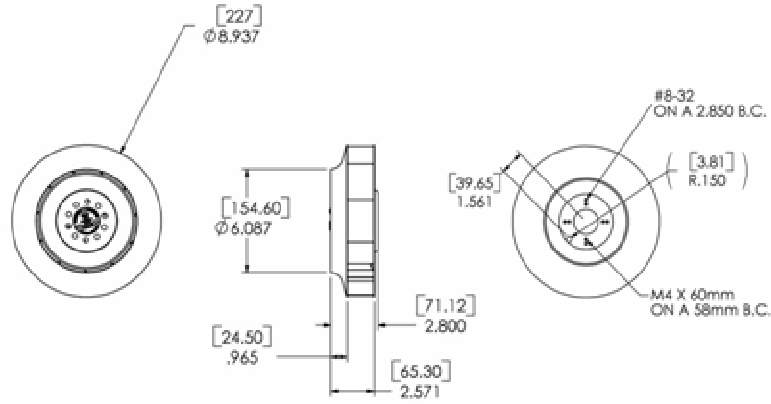


approvals pending

Diplomat 8928



MECHANICAL DRAWING



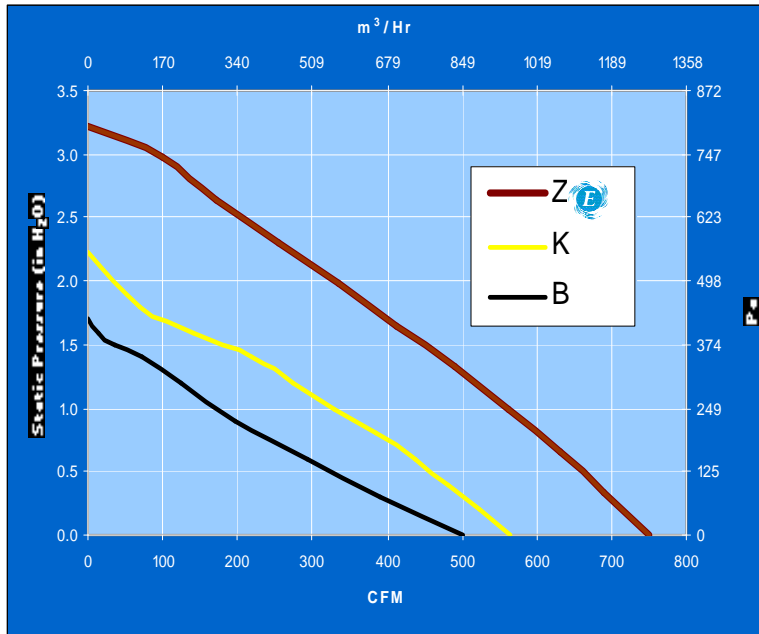
STANDARD FEATURES

- Size: 227 mm x 71.12 mm deep (8.94" x 2.80")
- Operating Temperature: -10°C to +70°C
- Storage Temperature: -40°C to +85°C
- Dual Ball Bearings
- Impeller: Galvanized Metal
- Termination: Lead Wires

BENEFITS

- Outstanding CFM Performance in High Pressure Systems
- Dependability with an 18 Month Warranty
- Extended Bearing Life
- Soft Start Capability
- Available Tachometer & PWM (Standard with the E-Series)

PERFORMANCE GRAPH



227 X 71 mm

Model Number	Rated Voltage	Operating Voltage Range	Rated Current	Rated Input Power	Speed	Rated Airflow		Rated Air Pressure		Noise
	VDC	VDC	Amps	Watts	RPM	CFM	m ³ /Hr	in H ₂ O	Pa	
DD892824B	24	16 - 32	2.7	64	2650	500	849	2.2	548	69.1
DD892848B	48	28 - 72	1.4	67	2650	500	849	2.2	548	69.1
DD892824K	24	16 - 32	4.1	98	2800	565	959	2.9	722	71.7
DD892848K	48	28 - 72	2.0	98	2800	565	959	2.9	722	71.7
DDE892824Z	24	16 - 32	6.2	149	3550	750	1274	3.2	797	78.7
DDE892848Z	48	28 - 72	3.0	149	3550	750	1274	3.2	797	78.7



= Products developed with new E-Series technology delivering higher performance, efficiency, and expanded feature sets.

COMAIR ROTRON, INC

8929 Terman Court, San Diego, CA 92121
 Ph (858) 348-6200 Fax (858) 566-4577
 E-mail: sales@comairrotron.com,
 Web: www.comairrotron.com



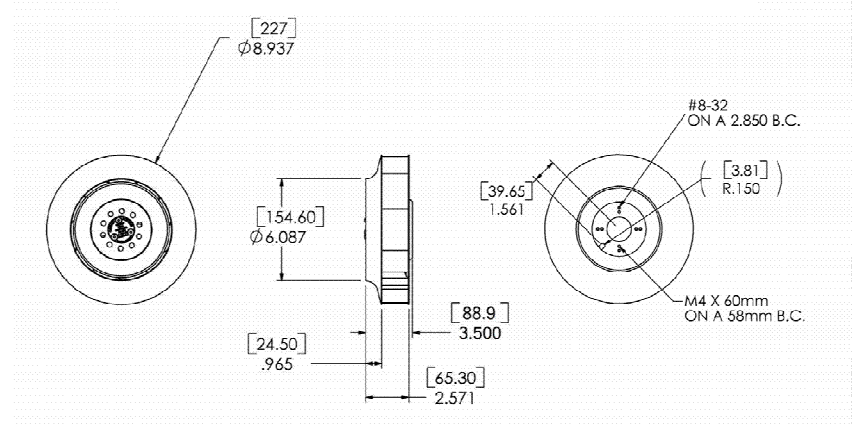
approvals pending

Diplomat DDE8935

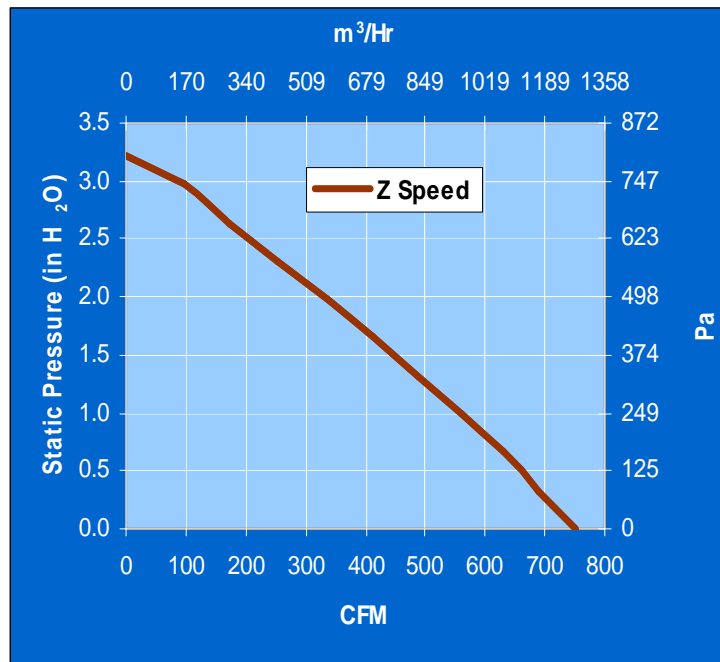
E E-Series **E**



MECHANICAL DRAWING



PERFORMANCE GRAPH



STANDARD FEATURES

- Size: 227 mm x 88.9 mm deep (8.94" x 3.5")
- Operating Temperature: -10°C to +70°C
- Storage Temperature: -40°C to +85°C
- Dual Ball Bearings
- Impeller: Galvanized Metal
- Termination: Lead Wires

BENEFITS

- Outstanding CFM Performance in High Pressure Systems
- Dependability with an 18 Month Warranty
- Extended Bearing Life
- Soft Start Capability
- Available Standard with Open Collector Tachometer & PWM

227 X 89 mm

Model Number	Rated Voltage	Operating Voltage Range	Rated Current	Rated Input Power	Speed	Rated Airflow		Rated Air Pressure		Noise
	VDC	VDC	Amps	Watts	RPM	CFM	m ³ /min	in H ₂ O	Pa	dBA
DDE893524Z	24	16 - 32	6.2	150	3549	750	1272	3.2	802	78.7
DDE893548Z	48	28 - 72	3.1	150	3549	750	1272	3.2	802	78.7

COMAIR ROTRON, INC

8929 Terman Court, San Diego, CA 92121
 Ph (858) 348-6200 Fax (858) 566-4577
 E-mail: sales@comairrotron.com,
 Web: www.comairrotron.com

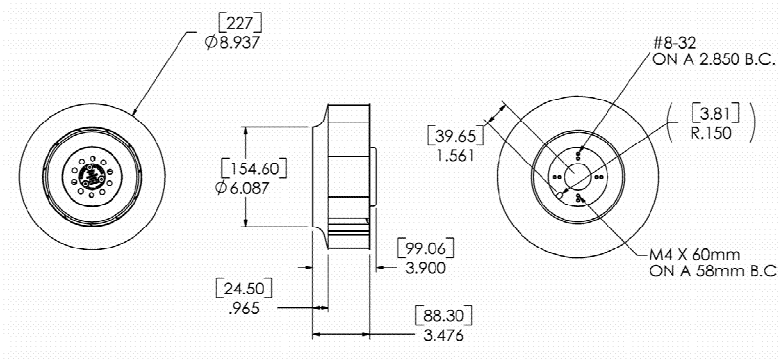


approvals pending

Diplomat 8939



MECHANICAL DRAWING



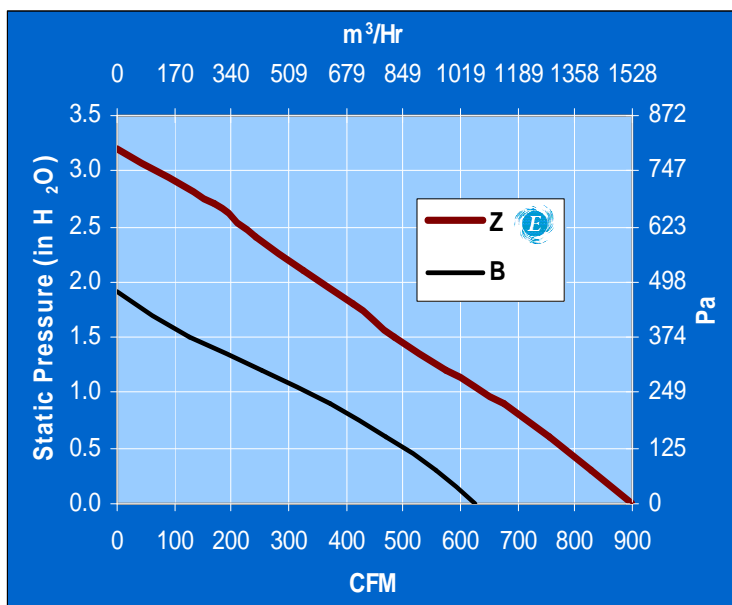
STANDARD FEATURES

- Size: 227 mm x 99.06 mm deep (8.9" x 3.9")
- Operating Temperature: -10°C to +70°C
- Storage Temperature: -40°C to +85°C
- Dual Ball Bearings
- Impeller: Galvanized Metal
- Termination: Lead Wires



BENEFITS


- Outstanding CFM Performance in High Pressure Systems
- Dependability with an 18 Month Warranty
- Extended Bearing Life
- Soft Start Capability
- Available Tachometer & PWM (Standard with the E-Series)

PERFORMANCE GRAPH



227 X 99 mm

Model Number	Rated Voltage	Operating Voltage Range	Rated Current	Rated Input Power	Speed	Rated Airflow		Rated Air Pressure		Noise
	VDC	VDC	Amps	Watts	RPM	CFM	m ³ /Hr	in H ₂ O	Pa	dBA
DD893924B	24	16 - 32	4.2	100	2650	625	1061	2.9	710	73
DD893948B	48	28 - 72	2.1	100	2650	625	1061	2.9	710	73
 DE893924Z	24	16 - 32	9.6	233	3369	900	1528	3.2	797	80
 DE893948Z	48	28 - 72	4.8	234	3369	900	1528	3.2	797	80

 = Products developed with new E-Series technology delivering higher performance, efficiency, and expanded feature sets.

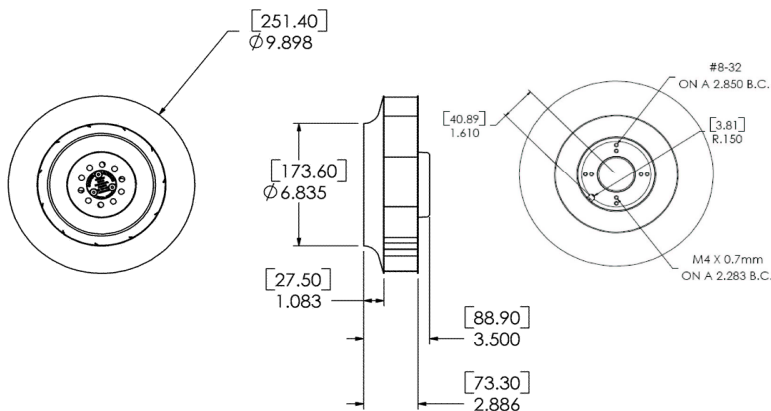
COMAIR ROTRON, INC
 8929 Terman Court, San Diego, CA 92121
 Ph (858) 348-6200 Fax (858) 566-4577
 E-mail: sales@comairrotron.com,
 Web: www.comairrotron.com

 
 approvals pending

Diplomat 9835



MECHANICAL DRAWING



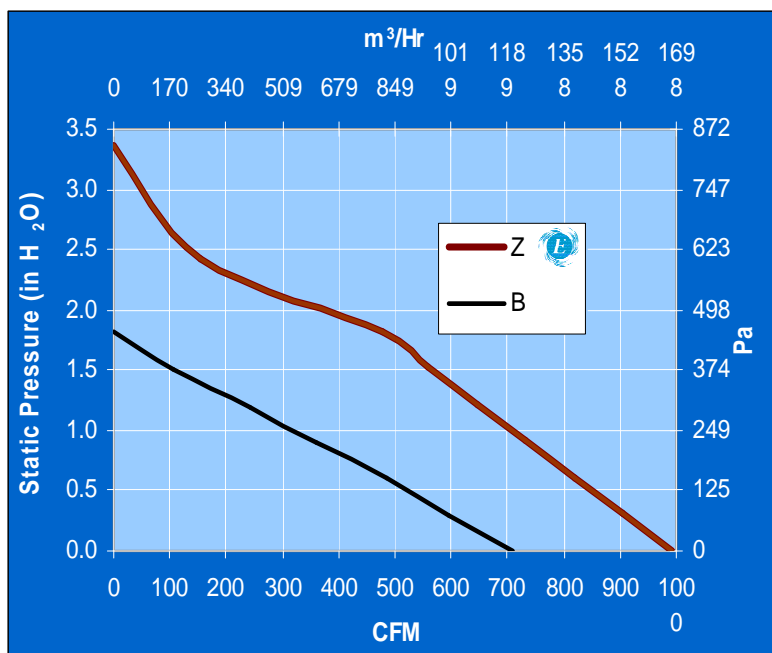
STANDARD FEATURES

- Size: 251.4 mm x 88.9 mm deep (9.8" x 3.5")
- Operating Temperature: -10°C to +70°C
- Storage Temperature: -40°C to +85°C
- Dual Ball Bearings
- Impeller: Galvanized Steel
- Termination: Lead Wires

BENEFITS

- Outstanding CFM Performance in High Pressure Systems
- Dependability with an 18 Month Warranty
- Extended Bearing Life
- Soft Start Capability
- Available Tachometer & PWM (Standard with the E-Series)

PERFORMANCE GRAPH



252 X 89 mm

Model Number	Rated Voltage	Operating Voltage Range	Rated Current	Rated Input Power	Speed	Rated Airflow		Rated Air Pressure		Noise
	VDC	VDC	Amps	Watts	RPM	CFM	m ³ /Hr	in H ₂ O	Pa	
DD983524B	24	16 - 32	4.2	77	2300	700	1189	1.9	473	72.6
DD983548B	48	28 - 72	2.1	77	2300	700	1189	1.9	473	72.6
DDE983524Z	24	16 - 32	8.3	202	3240	990	1681	3.33	828	80.6
DDE983548Z	48	28 - 72	4.2	202	3240	990	1681	3.33	828	80.6



= Products developed with new E-Series technology delivering higher performance, efficiency, and expanded feature sets.

COMAIR ROTRON, INC

8929 Terman Court, San Diego, CA 92121
 Ph (858) 348-6200 Fax (858) 566-4577
 E-mail: sales@comairrotron.com,
 Web: www.comairrotron.com



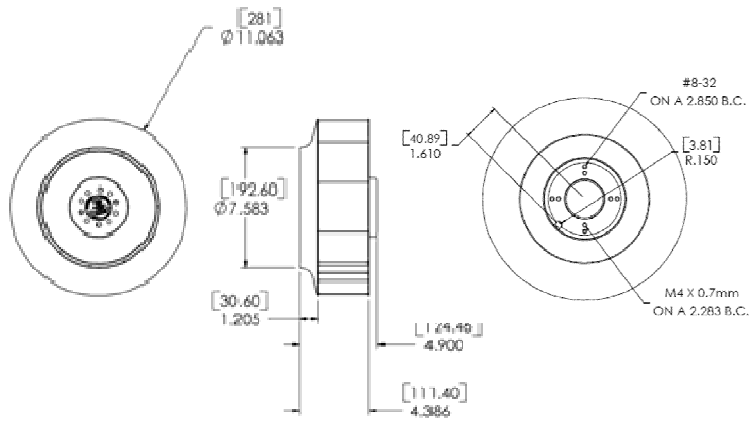
approvals pending

Diplomat 1149

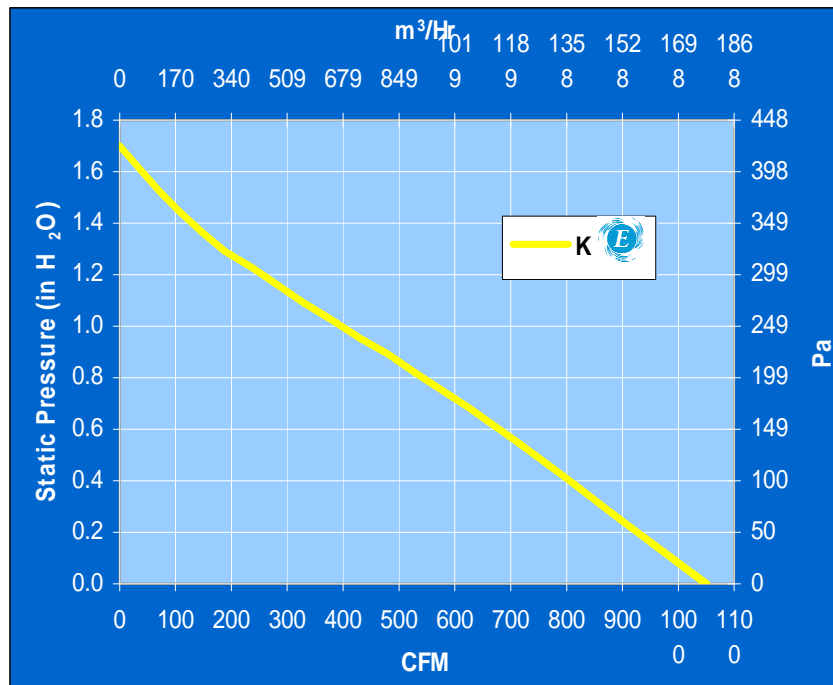
E-Series



MECHANICAL DRAWING



PERFORMANCE GRAPH



281 X 125 mm

STANDARD FEATURES

- Size: 281 mm x 124.46 mm deep (11.0" x 4.9")
- Operating Temperature: -10°C to +70°C
- Storage Temperature: -40°C to +85°C
- Dual Ball Bearings
- Impeller: Galvanized Steel
- Termination: Lead Wires

BENEFITS

- Outstanding CFM Performance in High Pressure Systems
- Dependability with an 18 Month Warranty
- Extended Bearing Life
- Soft Start Capability
- Tachometer & PWM Standard

Model Number	Rated Voltage	Operating Voltage Range	Rated Current	Rated Input Power	Speed	Rated Airflow		Rated Air Pressure		Noise
	VDC	VDC	Amps	Watts	RPM	CFM	m ³ /Hr	in H ₂ O	Pa	
DDE114924K	24	16 - 32	5.4	130	1919	1070	1817	1.9	463	74
DDE114948K	48	28 - 72	2.7	130	1919	1070	1817	1.9	463	74



= Products developed with new E-Series technology delivering higher performance, efficiency, and expanded feature sets.

COMAIR ROTRON, INC

8929 Terman Court, San Diego, CA 92121
 Ph (858) 348-6200 Fax (858) 566-4577
 E-mail: sales@comairrotron.com,
 Web: www.comairrotron.com

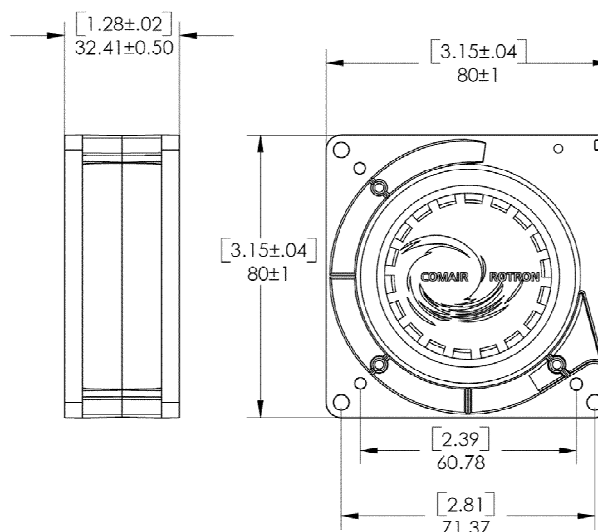


approvals pending

Whiffet DC



MECHANICAL DRAWING



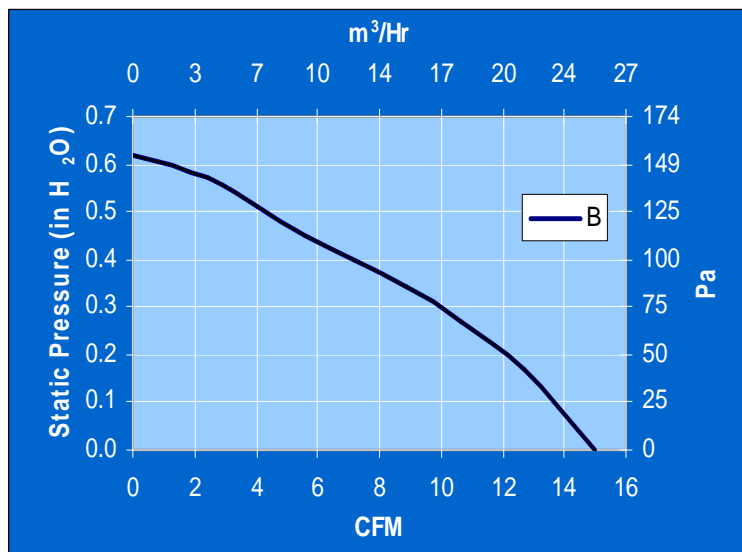
STANDARD FEATURES

- Size: 80 x 32.41mm deep (3.14" x 1.26")
- Operating Temperature: -10°C to +70°C
- Storage Temperature: -40°C to +85°C
- Weight: 190g (5.9 oz.)
- Dual Ball Bearings
- Impeller: Plastic
- Venturi: Plastic
- 12" Lead Wires

BENEFITS

- Outstanding CFM Performance in High Pressure Systems
- Dependability with an 18 Month Warranty
- Extended Bearing Life
- Designed with optional performance features

PERFORMANCE GRAPH



80 x 32mm

Model Number	Rated Voltage	Operating Voltage Range	Rated Current	Rated Input Power	Speed	Rated Airflow		Rated Air Pressure		Noise
	VDC	VDC				CFM	m ³ /Hr	in H ₂ O	Pa	
WT12B	12	6 - 14	0.42	5.0	4050	15	26	0.62	154	52.2
WT24B	24	12 - 28	0.20	4.8	4050	15	26	0.62	154	52.2
WT48B	48	24 - 56	0.14	6.7	4050	15	26	0.62	154	52.2

COMAIR ROTRON, INC
 8929 Terman Court, San Diego, CA 92121
 Ph (858) 348-6200 Fax (858) 566-4577
 E-mail: sales@comairrotron.com,
 Web: www.comairrotron.com

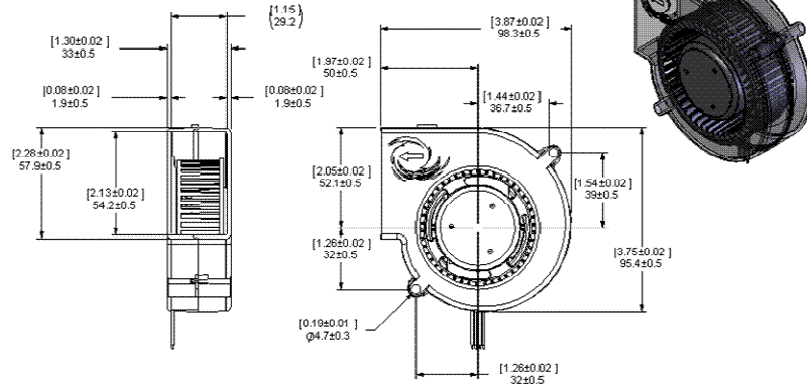


approvals pending

Ambassador



MECHANICAL DRAWING



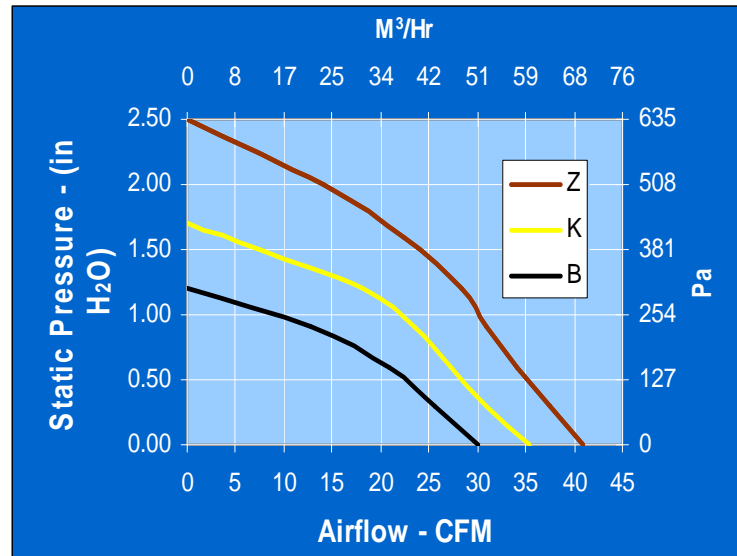
STANDARD FEATURES

- Size: 98.3mm x 33mm deep (3.85" x 1.3")
- Operating Temperature: -10°C to +70°C
- Storage Temperature: -40°C to +85°C
- Weight: 200 g (0.44 lbs)
- Dual Ball Bearings
- Impeller: PC (Lexan Grade)
- Housing: PBT (Valox Grade)
- 12" Lead Wires

BENEFITS

- Outstanding CFM Performance in High Pressure Systems
- Dependability with an 18 Month Warranty
- Extended Bearing Life
- Soft Start Capability
- Available with Standard Open Collector Tachometer & PWM

PERFORMANCE GRAPH



98 X 33 mm

Model Number	Rated Voltage	Operating Voltage Range	Rated Current	Rated Input Power	Speed	Rated Airflow		Rated Air Pressure		Noise
	VDC	VDC	Amps	Watts	RPM	CFM	m³/Hr	in H₂O	Pa	dBA
AMD12B	12	7 - 13.5	0.8	9.0	3750	30	51	1.1	274	55
AMD24B	24	16 - 28	0.4	9.0	3750	30	51	1.1	274	55
AMD12K	12	7 - 13.5	1.3	15.0	4400	36	61	1.7	423	56
AMD24K	24	16 - 28	0.6	15.0	4400	36	61	1.7	423	56
AMD24Z	24	16 - 28	0.8	20.5	5000	41	69	2.5	622	59

COMAIR ROTRON, INC

8929 Terman Court, San Diego, CA 92121
 Ph (858) 348-6200 Fax (858) 566-4577
 E-mail: sales@comairrotron.com,
 Web: www.comairrotron.com

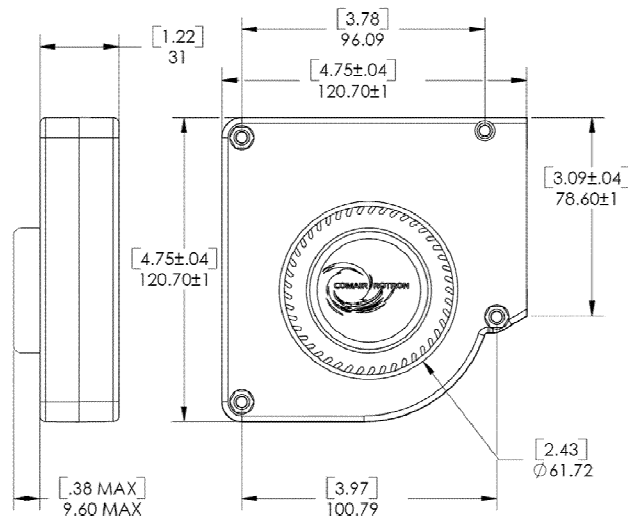


approval pending

Biscuit DC



MECHANICAL DRAWING



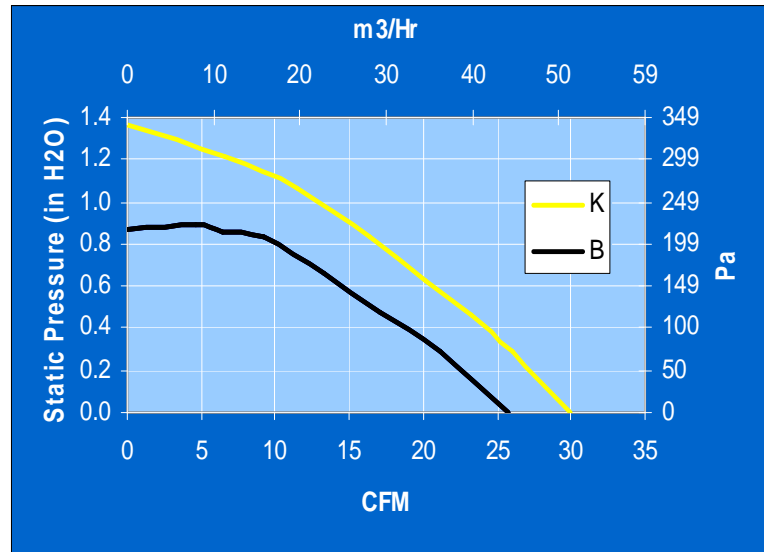
STANDARD FEATURES

- Size: 120.7 x 40.6mm deep (4.75" x 1.60")
- Operating Temperature: -10°C to +70°C
- Storage Temperature: -40°C to +85°C
- Weight: 280g (10oz.)
- Dual Ball Bearings
- Impeller: Glass Filled Nylon
- Venturi: Polypropylene
- 12" Lead Wires

BENEFITS

- Outstanding CFM Performance in High Pressure Systems
- Dependability with an 18 Month Warranty
- Extended Bearing Life
- Designed with optional performance features

PERFORMANCE GRAPH



121 X 41mm

Model Number	Rated Voltage	Operating Voltage Range	Rated Current	Rated Input Power	Speed	Rated Airflow		Rated Air Pressure		Noise
	VDC	VDC				CFM	m ³ /Hr	in H ₂ O	Pa	
BD12B	12	6 - 14	0.90	10.8	3040	26	44	0.87	217	51.2
BD24B	24	12 - 28	0.48	11.5	3040	26	44	0.87	217	51.2
BD48B	48	24 - 56	0.25	12.0	3040	26	44	0.87	217	51.2
BD12K	12	6 - 14	1.4	16.8	3750	30	51	1.36	339	53.5
BD24K	24	12 - 28	0.66	15.8	3750	30	51	1.36	339	53.5
BD48K	48	24 - 56	0.28	13.5	3750	30	51	1.36	339	53.5

COMAIR ROTRON, INC

8929 Terman Court, San Diego, CA 92121
 Ph (858) 348-6200 Fax (858) 566-4577
 E-mail: sales@comairrotron.com,
 Web: www.comairrotron.com

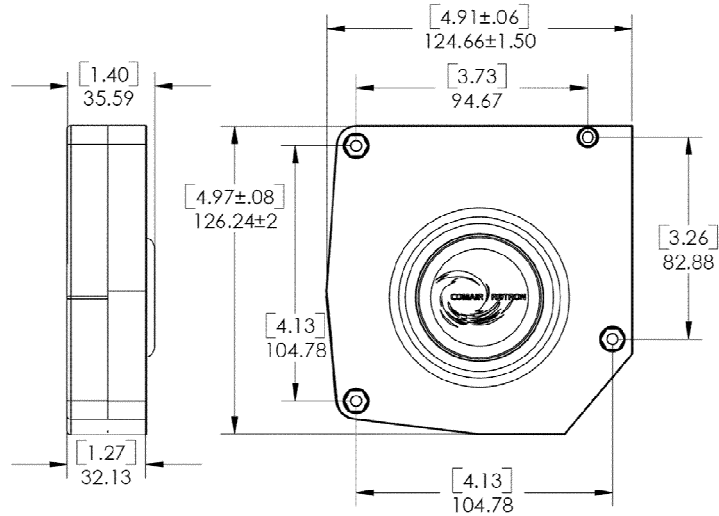


approvals pending

Viking DC



MECHANICAL DRAWING



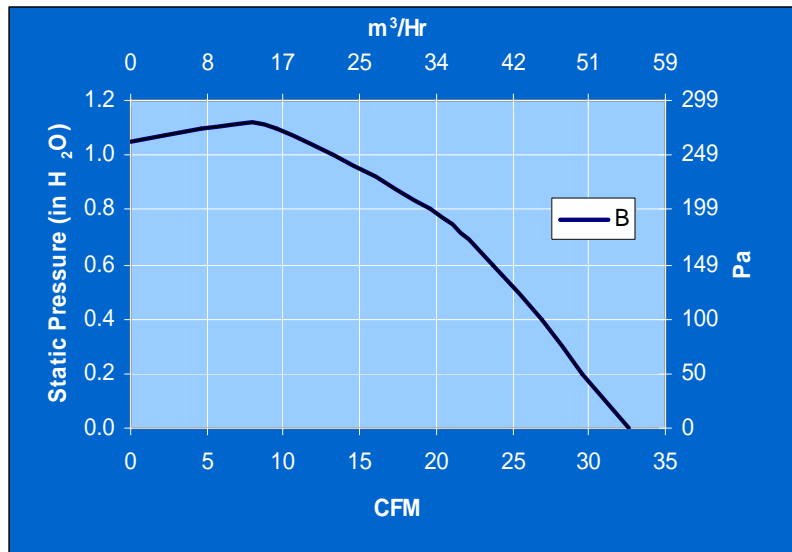
STANDARD FEATURES

- Size: 126.24 x 35.59mm deep (5.0" x 1.6")
- Operating Temperature: -10°C to +70°C
- Storage Temperature: -40°C to +85°C
- Weight: 450g (14.5 oz.)
- Dual Ball Bearings
- Impeller: Polypropylene
- Venturi: Polycarbonate
- 12" Lead Wires

BENEFITS

- Outstanding CFM Performance in High Pressure Systems
- Dependability with an 18 Month Warranty
- Extended Bearing Life
- Designed with optional performance features

PERFORMANCE GRAPH



127 x 36mm

Model Number	Rated Voltage	Operating Voltage Range	Rated Current	Rated Input Power	Speed	Rated Airflow		Rated Air Pressure		Noise
	VDC	VDC				CFM	m ³ /Hr	in H ₂ O	Pa	
VK12B	12	6 - 14	1.34	16.0	4000	33	56	1.1	274	57.6
VK24B	24	12 - 28	0.63	19.2	4000	33	56	1.1	274	57.6
VK48B	48	24 - 56	0.36	17.3	4000	33	56	1.1	274	57.6

COMAIR ROTRON, INC
 8929 Terman Court, San Diego, CA 92121
 Ph (858) 348-6200 Fax (858) 566-4577
 E-mail: sales@comairrotron.com,
 Web: www.comairrotron.com

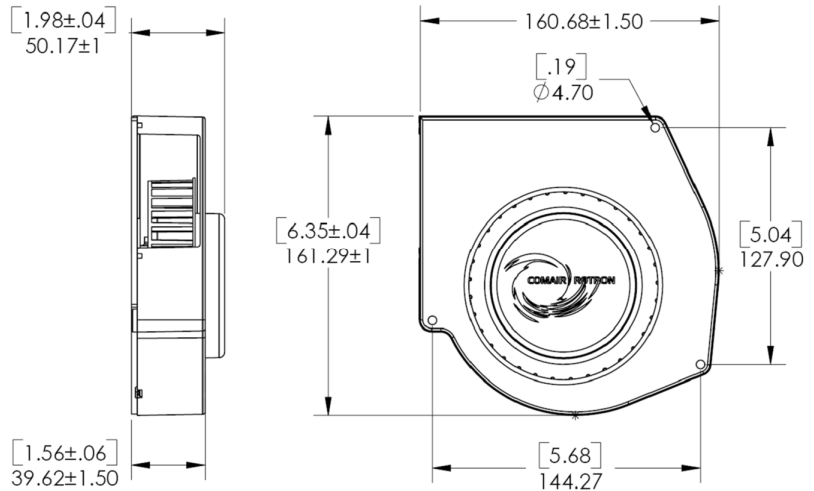


approvals pending

Spinnaker DC



MECHANICAL DRAWING



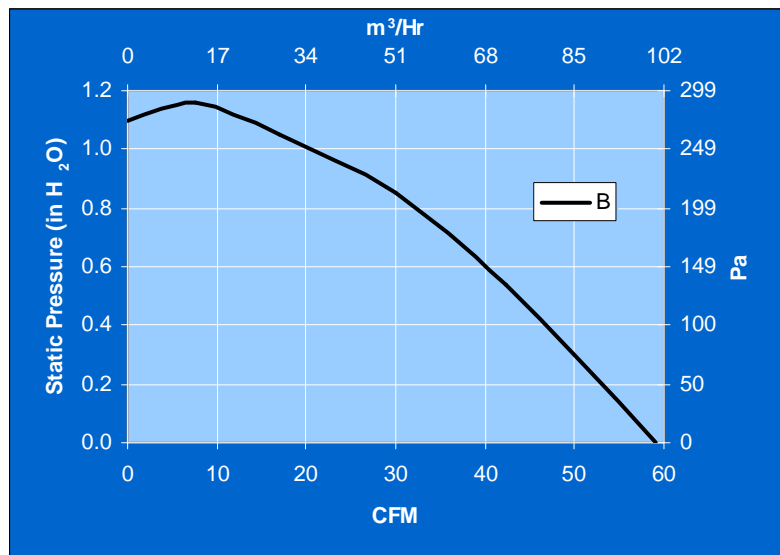
STANDARD FEATURES

- Size: 161.29 x 50.17mm deep (6.35" x 1.98")
- Operating Temperature: -10°C to +70°C
- Storage Temperature: -40°C to +85°C
- Weight: 953g (2.1 lbs.)
- Dual Ball Bearings
- Impeller: Polycarbonate
- Venturi: Polycarbonate
- 12" Lead Wires

BENEFITS

- Outstanding CFM Performance in High Pressure Systems
- Dependability with an 18 Month Warranty
- Extended Bearing Life
- Designed with optional performance features

PERFORMANCE GRAPH



161 x 50mm

Model Number	Rated Voltage	Operating Voltage Range	Rated Current	Rated Input Power	Speed	Rated Airflow		Rated Air Pressure		Noise
	VDC	VDC				CFM	m ³ /Hr	in H ₂ O	Pa	
SPD12B	12	6 - 14	2.20	26.4	2500	60	102	1.1	274	50.7
SPD24B	24	12 - 28	1.25	30.0	2500	60	102	1.1	274	50.7
SBD48B	48	24 - 56	0.53	24.0	2500	60	102	1.1	274	50.7

COMAIR ROTRON, INC

8929 Terman Court, San Diego, CA 92121
 Ph (858) 348-6200 Fax (858) 566-4577
 E-mail: sales@comairrotron.com,
 Web: www.comairrotron.com



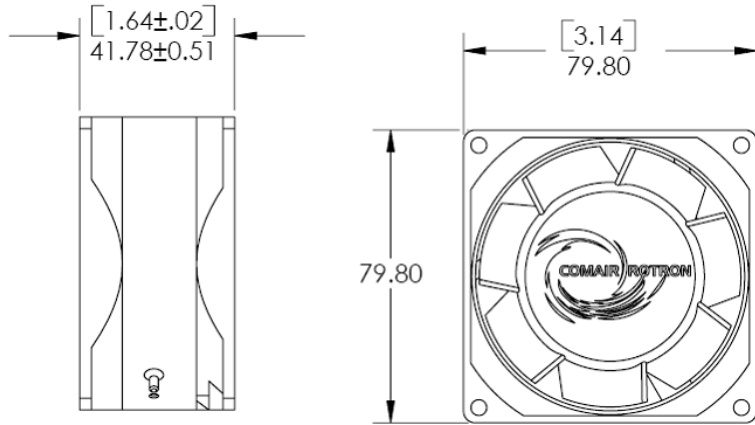
approvals pending

Sprite AC

High Airflow



MECHANICAL DRAWING



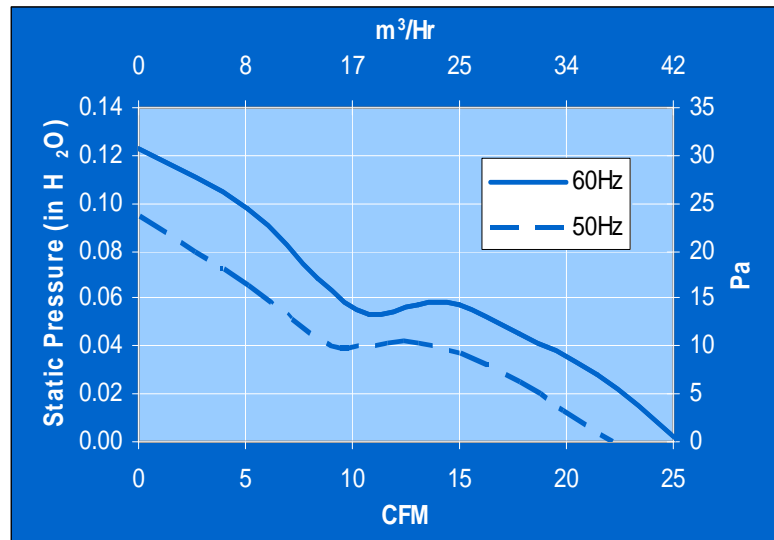
STANDARD FEATURES

- Size: 79.8 x 41.78 mm deep (3.14" x 1.65")
- Operating Temperature: -10°C to +70°C
- Storage Temperature: -40°C to +85°C
- Weight: 510 g (18 oz.)
- Sleeve Bearings
- Impeller: Polypropylene
- Venturi: Metal Alloy
- 12" Lead Wires
- Available in 50/60 Hz

BENEFITS

- Outstanding CFM Performance in High Pressure Systems
- Dependability with an 18 Month Warranty
- Extended Bearing Life
- Designed with optional performance features

PERFORMANCE GRAPH



80 x 42 mm

Model Number	Rated Voltage	Hertz	Running Current	Input Power	Speed	Rated Airflow		Rated Air Pressure		Noise
	VAC	Hz	Amps	Watts	RPM	CFM	m ³ /Hr	In H ₂ O	Pa	DbA
SU2E7	115	60	0.07	6	2750	25	43	0.12	31	32.2
SU3E7	220/230	60	0.06	10	2750	25	43	0.12	31	32.2



approvals pending

COMAIR ROTRON, INC

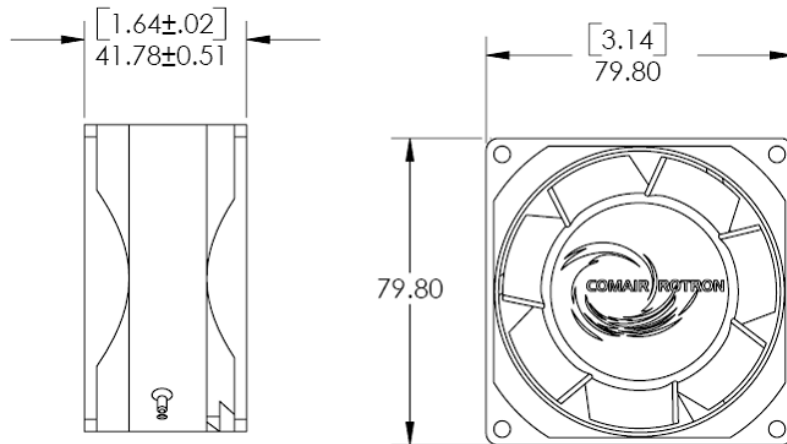
8929 Terman Court, San Diego, CA 92121
Ph (858) 348-6200 Fax (858) 566-4577

Sprite AC

High Pressure



MECHANICAL DRAWING



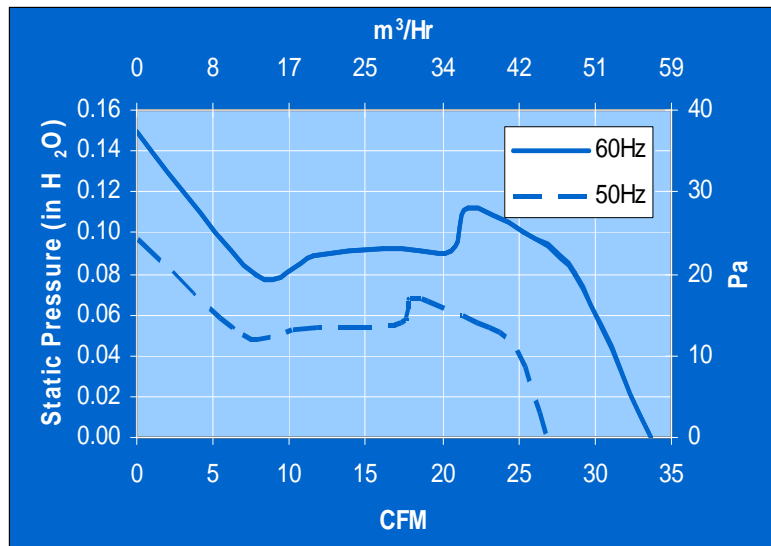
STANDARD FEATURES

- Size: 79.8 x 41.8 mm deep (3.14" x 1.65")
- Operating Temperature: -10°C to +70°C
- Storage Temperature: -40°C to +85°C
- Weight: 510 g (18 oz.)
- Sleeve Bearings
- Impeller: Polypropylene
- Venturi: Metal Alloy
- 12" Lead Wires
- Available in 50/60 Hz

BENEFITS

- Outstanding CFM Performance in High Pressure Systems
- Dependability with an 18 Month Warranty
- Extended Bearing Life
- Designed with optional performance features

PERFORMANCE GRAPH



80 x 42 mm

Model Number	Rated Voltage	Hertz	Running Current	Input Power	Speed	Rated Airflow		Rated Air Pressure		Noise
	VAC	Hz	Amps	Watts	RPM	CFM	m ³ /Hr	In H ₂ O	Pa	DbA
SU2A7	115	60	0.15	11	3350	34	58	0.15	37	40.3
SU3A7	220/230	60	0.08	13	3350	34	58	0.15	37	40.3

COMAIR ROTRON, INC
 8929 Terman Court, San Diego, CA 92121
 Ph (858) 348-6200 Fax (858) 566-4577
 E-mail: sales@comairrotron.com,
 Web: www.comairrotron.com

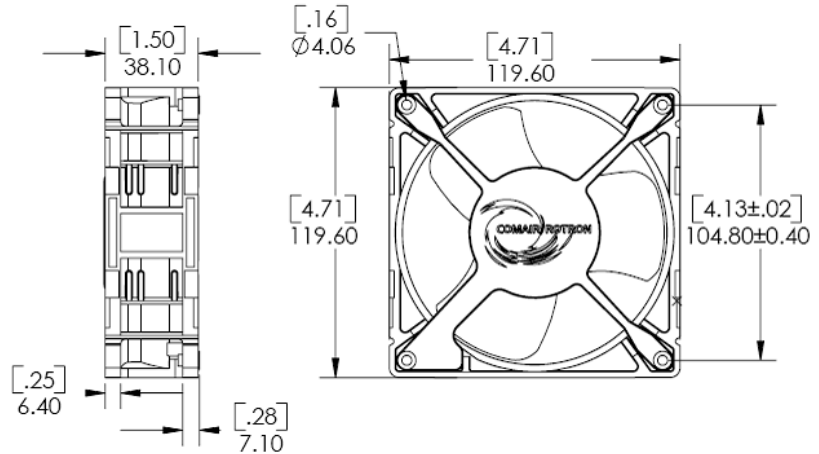


approvals pending

Whisper AC



MECHANICAL DRAWING



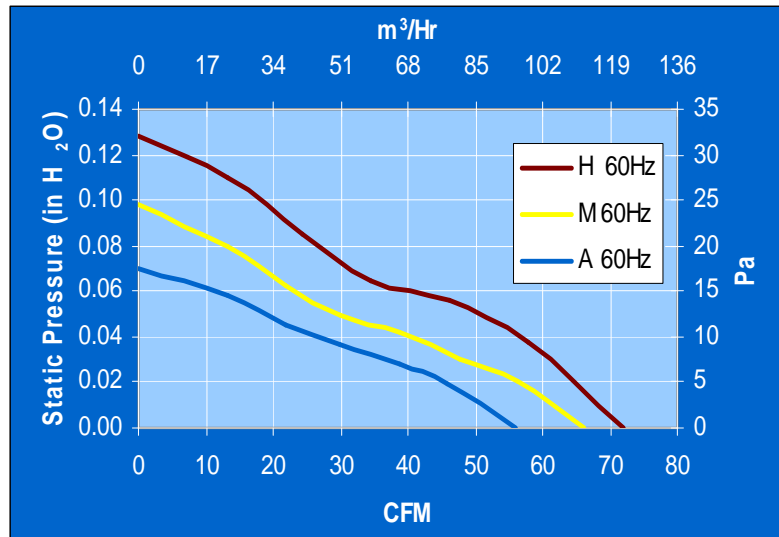
STANDARD FEATURES

- Size: 119.6 x 38.1 mm deep (4.71" x 1.5")
- Operating Temperature: -10°C to +70°C
- Storage Temperature: -40°C to +85°C
- Weight: 490 g (17 oz.)
- Sleeve Bearings
- Impeller: Polypropylene
- Venturi: Metal Alloy
- 12" Lead Wires
- Available in 50/60 Hz

BENEFITS

- Outstanding CFM Performance in High Pressure Systems
- Dependability with an 18 Month Warranty
- Extended Bearing Life
- Designed with optional performance features

PERFORMANCE GRAPH



120 x 38 mm

Model Number	Rated Voltage	Hertz	Running Current	Input Power	Speed	Rated Airflow		Rated Air Pressure		Noise
	VAC	Hz	Amps	Watts	RPM	CFM	m ³ /Hr	In H ₂ O	Pa	DbA
WR2A1	115	60	0.06	7	1660	56	95	0.07	17	32.0
WR2M1	115	60	0.07	7	2000	66	112	0.10	24	33.3
WR3M1	220/230	60	0.07	12	2000	66	112	0.10	24	33.3
WR2H1	115	60	0.11	10	2400	72	122	0.13	32	37.6
WR3H1	220/230	60	0.06	12	2400	72	122	0.13	32	37.6

COMAIR ROTRON, INC
 8929 Terman Court, San Diego, CA 92121
 Ph (858) 348-6200 Fax (858) 566-4577
 E-mail: sales@comairrotron.com,
 Web: www.comairrotron.com

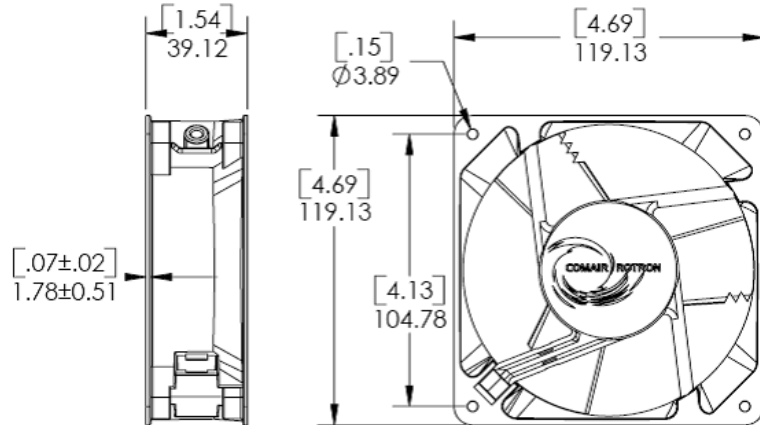


approvals pending

Whisper XL AC



MECHANICAL DRAWING



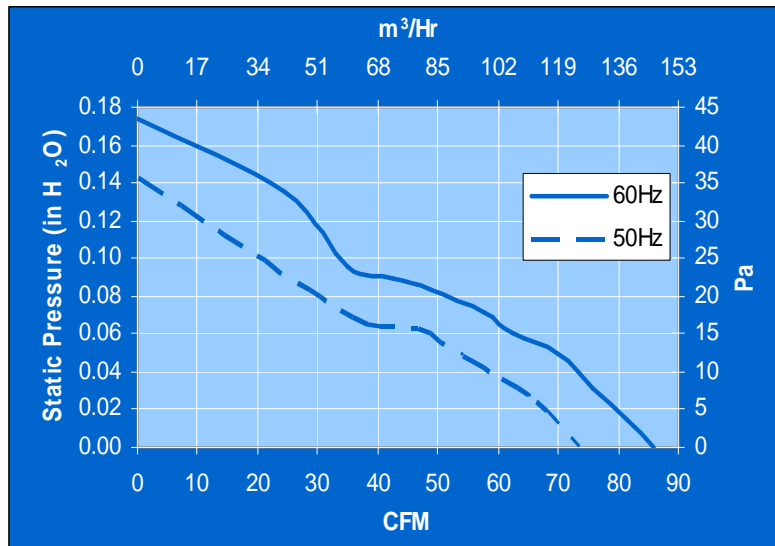
STANDARD FEATURES

- Size: 119.13 x 39.12 mm deep (4.69" x 1.54")
- Operating Temperature: -10°C to +70°C
- Storage Temperature: -40°C to +85°C
- Weight: 610 g (21 oz.)
- Sleeve Bearings
- Impeller: Polypropylene
- Venturi: Metal Alloy
- 12" Lead Wires
- Available in 50/60 Hz

BENEFITS

- Outstanding CFM Performance in High Pressure Systems
- Dependability with an 18 Month Warranty
- Extended Bearing Life
- Designed with optional performance features

PERFORMANCE GRAPH



120 x 39 mm

Model Number	Rated Voltage	Hertz	Running Current	Input Power	Speed	Rated Airflow		Rated Air Pressure		Noise
	VAC	Hz	Amps	Watts	RPM	CFM	m ³ /Hr	In H ₂ O	Pa	DbA
WX2H1	115	60	0.15	13	2500	85	144	0.17	43	37.1
WX3H1	220/230	60	0.09	13	2500	85	144	0.17	43	37.1

COMAIR ROTRON, INC

8929 Terman Court, San Diego, CA 92121
 Ph (858) 348-6200 Fax (858) 566-4577
 E-mail: sales@comairrotron.com,
 Web: www.comairrotron.com

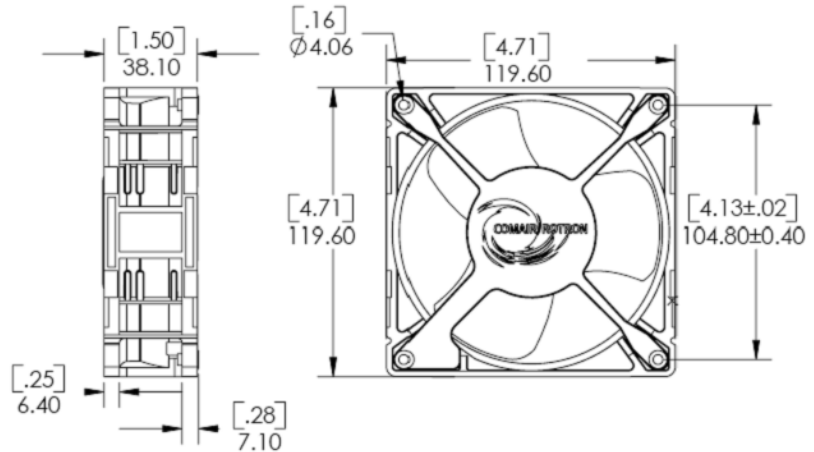


approvals pending

Muffin AC



MECHANICAL DRAWING



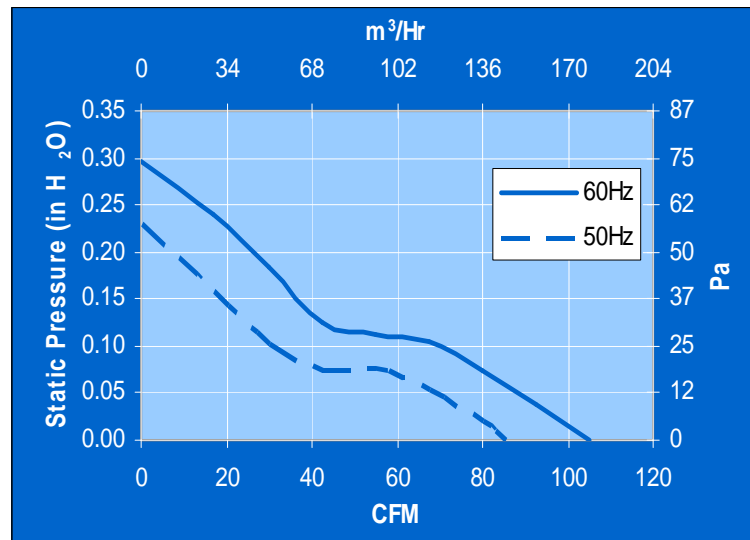
STANDARD FEATURES

- Size: 119.6 x 38.1 mm deep (4.71" x 1.5")
- Operating Temperature: -10°C to +70°C
- Storage Temperature: -40°C to +85°C
- Weight: 490 g (17.2 oz.)
- Dual Ball Bearings
- Impeller: Polypropylene
- Venturi: Metal Alloy
- 12" Lead Wires
- Available in 50/60 Hz

BENEFITS

- Outstanding CFM Performance in High Pressure Systems
- Dependability with an 18 Month Warranty
- Extended Bearing Life
- Designed with optional performance features

PERFORMANCE GRAPH



120 x 38 mm

Model Number	Rated Voltage	Hertz	Running Current	Input Power	Speed	Rated Airflow		Rated Air Pressure		Noise
	VAC	Hz	Amps	Watts	RPM	CFM	m ³ /Hr	In H ₂ O	Pa	DbA
MU2B3	115	60	0.16	14	3100	105	178	0.30	75	45.1
MU3B1	220/230	60	0.09	14	3100	105	178	0.30	75	45.1

COMAIR ROTRON, INC
 8929 Terman Court, San Diego, CA 92121
 Ph (858) 348-6200 Fax (858) 566-4577
 E-mail: sales@comairrotron.com,
 Web: www.comairrotron.com

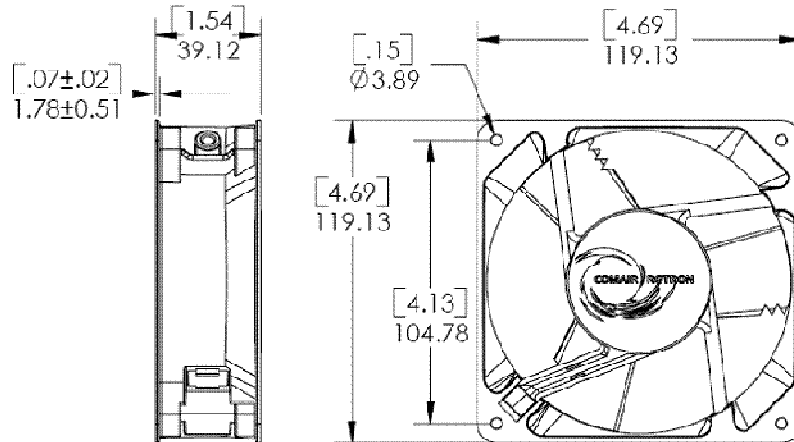


approvals pending

Muffin XL AC



MECHANICAL DRAWING



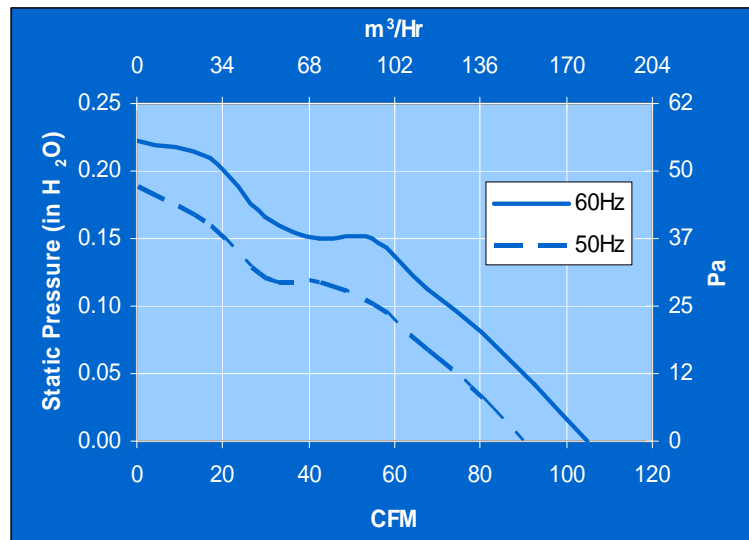
STANDARD FEATURES

- Size: 119.13 x 39.12 mm deep (4.69" x 1.54")
- Operating Temperature: -10°C to +70°C
- Storage Temperature: -40°C to +85°C
- Weight: 610 g (21 oz.)
- Dual Ball Bearings
- Impeller: Polypropylene
- Venturi: Metal Alloy
- 12" Lead Wires
- Available in 50/60 Hz

BENEFITS

- Outstanding CFM Performance in High Pressure Systems
- Dependability with an 18 Month Warranty
- Extended Bearing Life
- Designed with optional performance features

PERFORMANCE GRAPH



120 x 39 mm

Model Number	Rated Voltage	Hertz	Running Current	Input Power	Speed	Rated Airflow		Rated Air Pressure		Noise
	VAC	Hz	Amps	Watts	RPM	CFM	m ³ /Hr	In H ₂ O	Pa	DbA
MX2B1	115	60	0.18	15	3100	105	178	0.22	55	47.6
MX3B1	220/230	60	0.09	16	3100	105	178	0.22	55	47.6

COMAIR ROTRON, INC
 8929 Terman Court, San Diego, CA 92121
 Ph (858) 348-6200 Fax (858) 566-4577
 E-mail: sales@comairrotron.com,
 Web: www.comairrotron.com

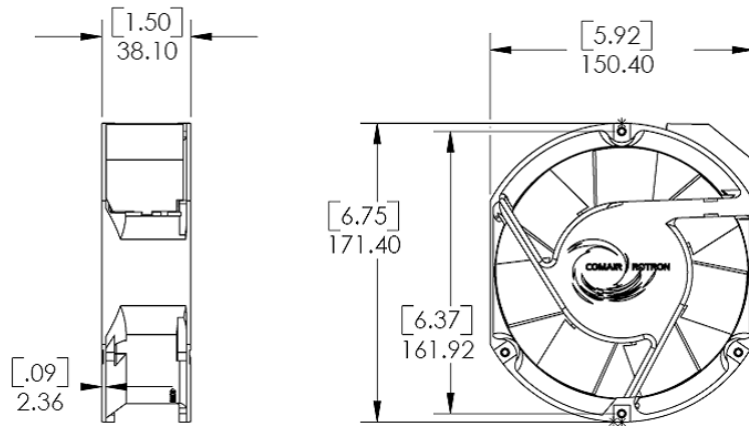


approvals pending

Major XT AC



MECHANICAL DRAWING



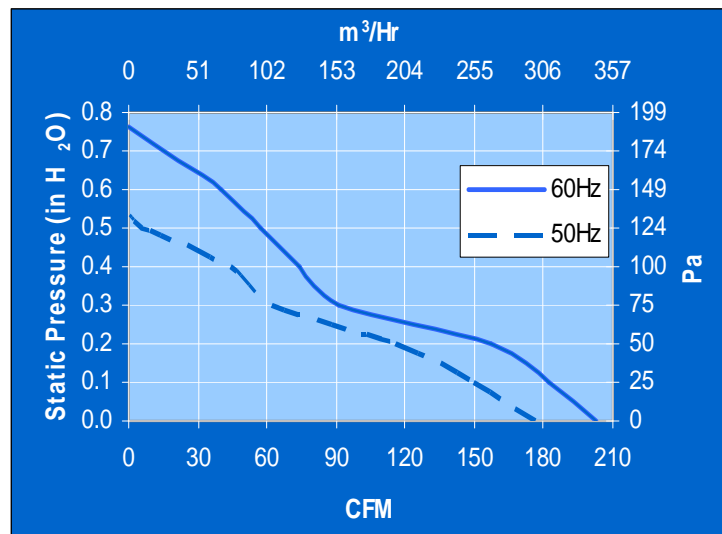
STANDARD FEATURES

- Size: 171.4 x 38.1 mm deep (6.75" x 1.5")
- Operating Temperature: -10°C to +70°C
- Storage Temperature: -40°C to +85°C
- Weight: 720 g (1.6 lbs.)
- Dual Ball Bearings
- Impeller: Polycarbonate
- Venturi: Metal Alloy
- 12" Lead Wires
- Available in 50/60 Hz

BENEFITS

- Outstanding CFM Performance in High Pressure Systems
- Dependability with an 18 Month Warranty
- Extended Bearing Life
- Designed with optional performance features

PERFORMANCE GRAPH



172 x 38 mm

Model Number	Rated Voltage	Hertz	Running Current	Input Power	Speed	Rated Airflow		Rated Air Pressure		Noise
	VAC	Hz	Amps	Watts	RPM	CFM	m ³ /Hr	In H ₂ O	Pa	DbA
ME2B3	115	60	0.27	31	3275	203	345	0.76	189	56
ME77B3	220/230	60	0.14	35	3275	203	345	0.76	189	56

COMAIR ROTRON, INC
 8929 Terman Court, San Diego, CA 92121
 Ph (858) 348-6200 Fax (858) 566-4577
 E-mail: sales@comairrotron.com,
 Web: www.comairrotron.com

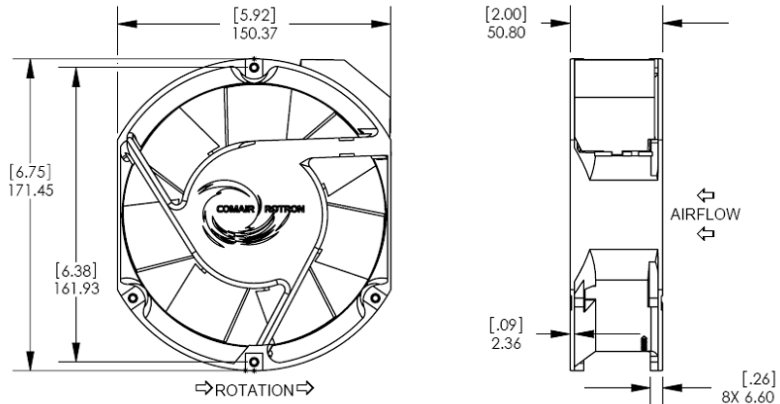


approvals pending

Major AC



MECHANICAL DRAWING



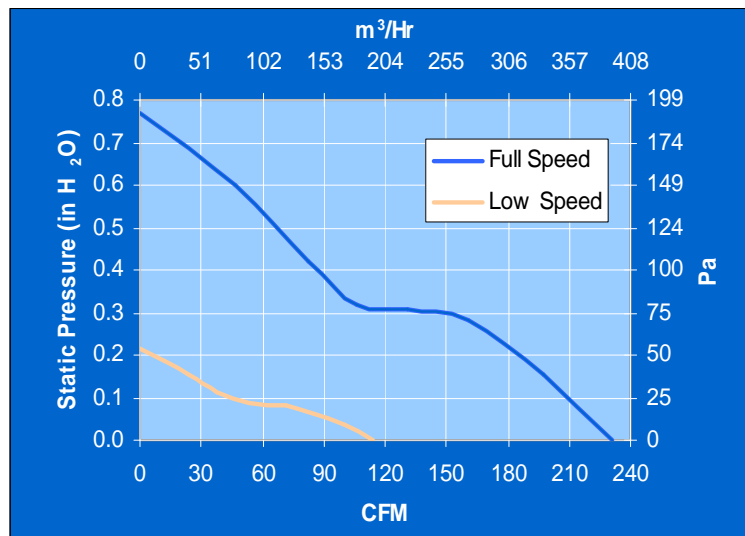
STANDARD FEATURES

- Size: 171.45 x 150.37 x 50.8mm deep (6.75" x 5.92" x 2")
- Operating Temperature: -10°C to +70°C
- Storage Temperature: -40°C to +85°C
- Weight: 840 g (1.84 lbs.)
- Dual Ball Bearings
- Impeller: Polycarbonate
- Venturi: Metal Alloy
- 12" Lead Wires
- Available in 50/60 Hz

BENEFITS

- Outstanding CFM Performance in High Pressure Systems
- Dependability with an 18 Month Warranty
- Extended Bearing Life
- Designed with optional performance features

PERFORMANCE GRAPH



172 x 150 x 51 mm

Model Number	Rated Voltage	Hertz	Running Current	Input Power	Speed	Rated Airflow		Rated Air Pressure		Noise
	VAC	Hz	Amps	Watts	RPM	CFM	m ³ /Hr	In H ₂ O	Pa	
MR2B3	115	60	0.26	31	3350	235	399	0.77	192	55.8
MR77B3	220/230	60	0.14	30	3350	235	399	0.77	192	55.8
MR2D3	115	60	0.15	16	1700	114	194	0.21	52	39.2
MR77D3	220/230	60	0.08	15	1700	114	194	0.21	52	39.2

COMAIR ROTRON, INC

8929 Terman Court, San Diego, CA 92121
 Ph (858) 348-6200 Fax (858) 566-4577
 E-mail: sales@comairrotron.com,
 Web: www.comairrotron.com

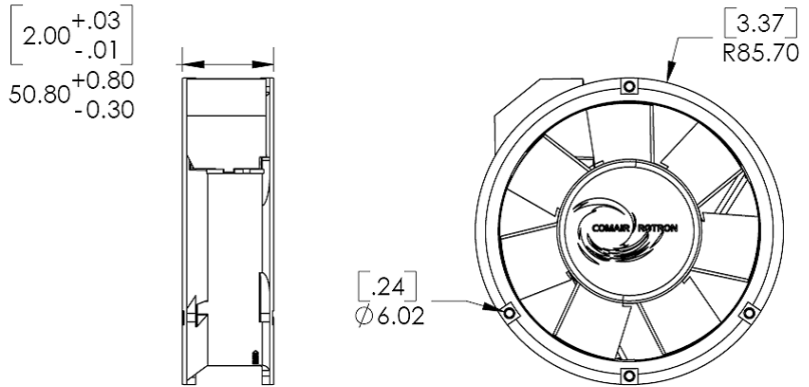


approvals pending

Patriot AC



MECHANICAL DRAWING



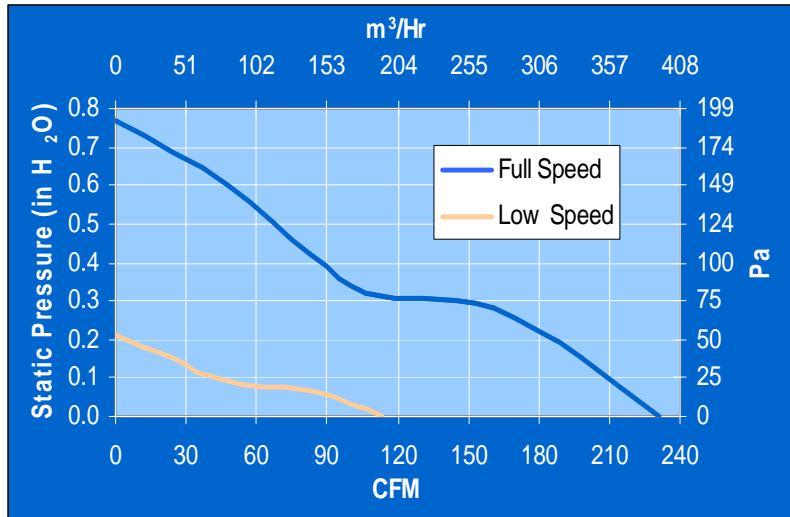
STANDARD FEATURES

- Size: 171.5 x 50.8mm deep (6.75" x 2")
- Operating Temperature: -10°C to +70°C
- Storage Temperature: -40°C to +85°C
- Weight: 840 g (1.84 lbs.)
- Dual Ball Bearings
- Impeller: Polycarbonate
- Venturi: Metal Alloy
- 12" Lead Wires
- Available in 50/60 Hz

BENEFITS

- Outstanding CFM Performance in High Pressure Systems
- Dependability with an 18 Month Warranty
- Extended Bearing Life
- Designed with optional performance features

PERFORMANCE GRAPH



172 x 50 mm

Model Number	Rated Voltage	Hertz	Running Current	Input Power	Speed	Rated Airflow		Rated Air Pressure		Noise
	VAC	Hz	Amps	Watts	RPM	CFM	m ³ /Hr	In H ₂ O	Pa	
PT2B3	115	60	0.26	31	3350	235	399	0.77	192	55.8
PT77B3	220/230	60	0.14	30	3350	235	399	0.77	192	55.8
PT2D3	115	60	0.15	16	1700	114	194	0.21	52	39.2
PT77D3	220/230	60	0.08	15	1700	114	194	0.21	52	39.2

COMAIR ROTRON, INC
 8929 Terman Court, San Diego, CA 92121
 Ph (858) 348-6200 Fax (858) 566-4577
 E-mail: sales@comairrotron.com,
 Web: www.comairrotron.com

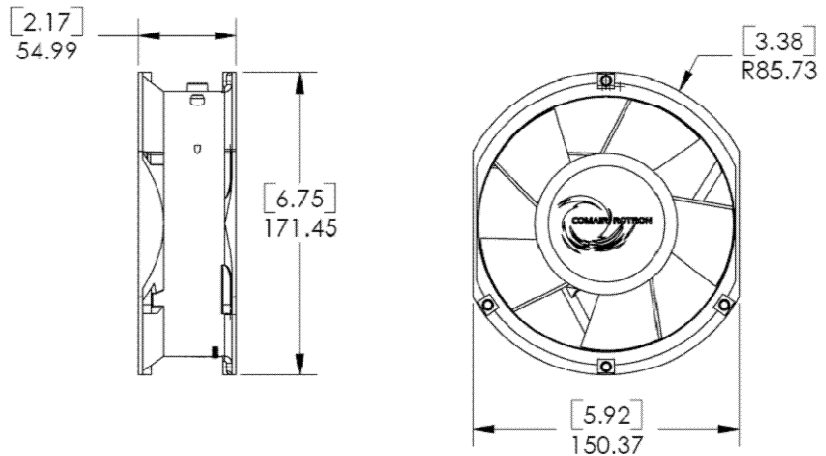


approvals pending

Maltese AC



MECHANICAL DRAWING



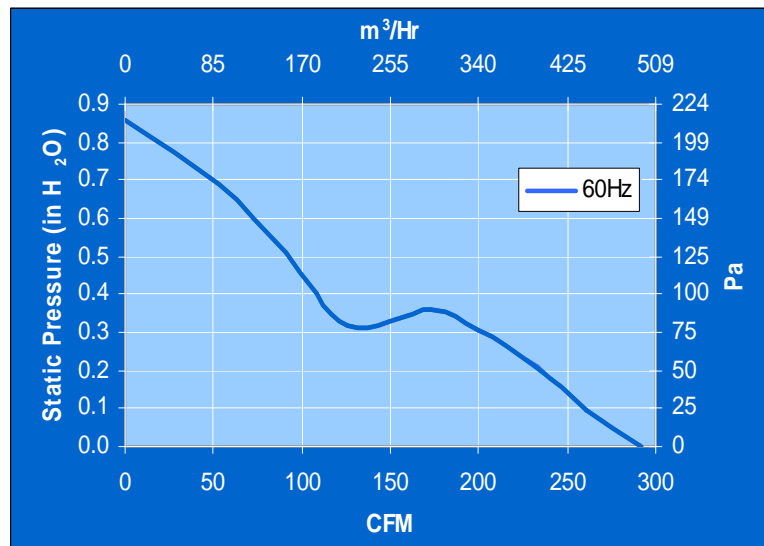
STANDARD FEATURES

- Size: 171.45 x 150.37 x 54.99mm deep (6.75" x 5.92" x 2.17")
- Operating Temperature: -10°C to +70°C
- Storage Temperature: -40°C to +85°C
- Weight: 1 Kg (2.25 lbs.)
- Dual Ball Bearings
- Impeller: Polycarbonate
- Venturi: Metal Alloy
- 12" Lead Wires
- Available in 50/60 Hz

BENEFITS

- Outstanding CFM Performance in High Pressure Systems
- Dependability with an 18 Month Warranty
- Extended Bearing Life
- Designed with optional performance features

PERFORMANCE GRAPH



172 X 150 X 55mm

Model Number	Rated Voltage	Hertz	Running Current	Input Power	Speed	Rated Airflow		Rated Air Pressure		Noise
	VAC					Hz	Amps	Watts	RPM	
MA2B3	115	60	0.36	41.4	3400	300	509	0.86	214	56.5
MA77B3	230	60	0.18	41.4	3400	300	509	0.86	214	56.5

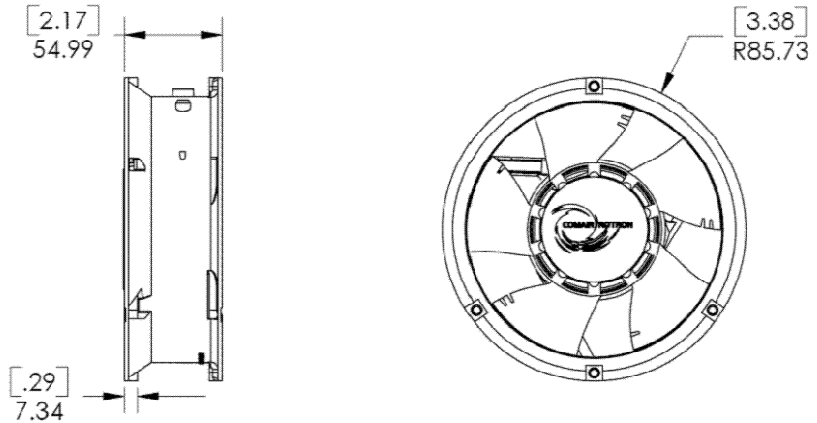
COMAIR ROTRON, INC
 8929 Terman Court, San Diego, CA 92121
 Ph (858) 348-6200 Fax (858) 566-4577
 E-mail: sales@comairrotron.com,
 Web: www.comairrotron.com



Falcon AC



MECHANICAL DRAWING



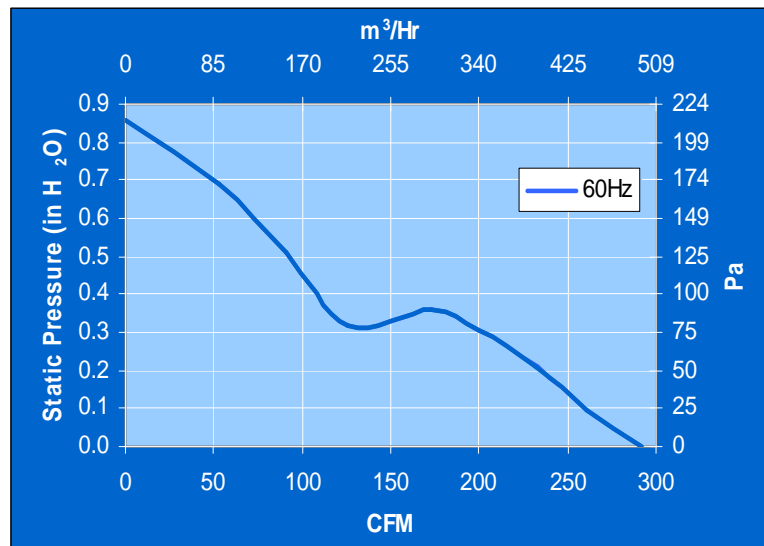
STANDARD FEATURES

- Size: 171.46 x 54.99mm deep (6.75" x 2.17")
- Operating Temperature: -10°C to +70°C
- Storage Temperature: -40°C to +85°C
- Weight: 1 Kg (2.25 lbs.)
- Dual Ball Bearings
- Impeller: Polycarbonate
- Venturi: Metal Alloy
- 12" Lead Wires
- Available in 50/60 Hz

BENEFITS

- Outstanding CFM Performance in High Pressure Systems
- Dependability with an 18 Month Warranty
- Extended Bearing Life
- Designed with optional performance features

PERFORMANCE GRAPH



172 X 55mm

Model Number	Rated Voltage	Hertz	Running Current	Input Power	Speed	Rated Airflow		Rated Air Pressure		Noise
	VAC	Hz	Amps	Watts	RPM	CFM	m ³ /Hr	In H ₂ O	Pa	
FA2B3	115	60	0.36	41.4	3400	300	509	0.86	214	56.5
FA77B3	230	60	0.18	41.4	3400	300	509	0.86	214	56.5

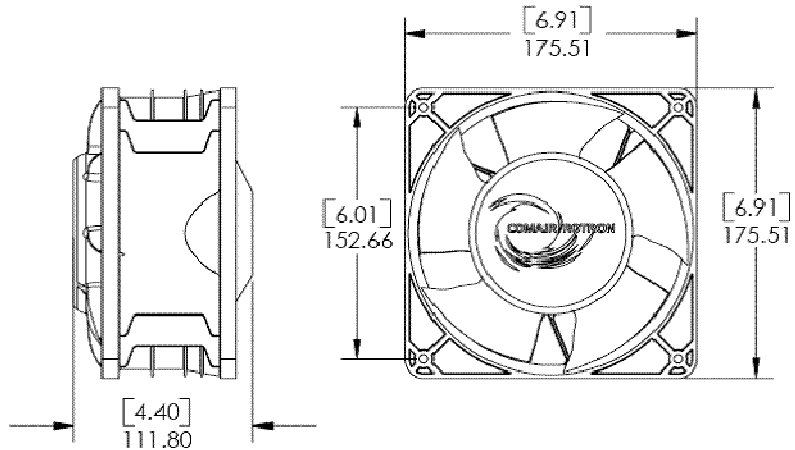
COMAIR ROTRON, INC
 8929 Terman Court, San Diego, CA 92121
 Ph (858) 348-6200 Fax (858) 566-4577
 E-mail: sales@comairrotron.com,
 Web: www.comairrotron.com



Tarzan AC



MECHANICAL DRAWING



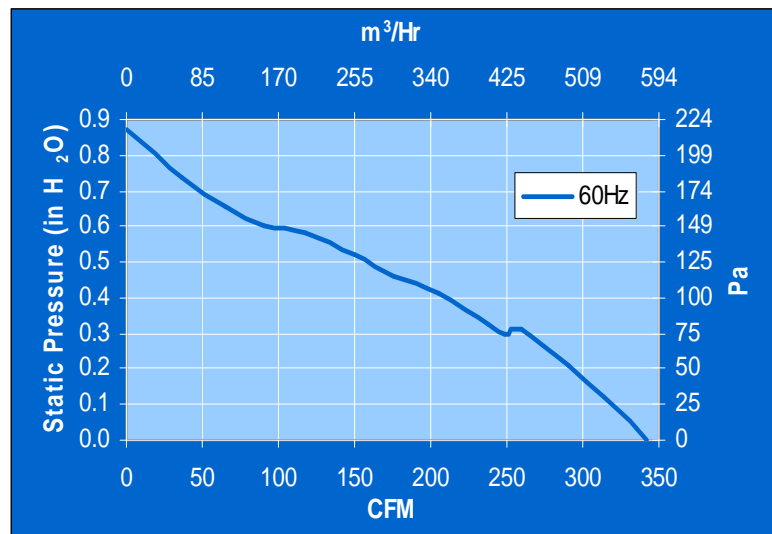
STANDARD FEATURES

- Size: 176 x 112 mm deep (6.91" x 4.4")
- Operating Temperature: -10°C to +70°C
- Storage Temperature: -40°C to +85°C
- Weight: 2.26 Kg (5 lbs.)
- Ball Bearings
- Impeller: Polypropylene
- Venturi: Phenolic
- 12" Lead Wires
- Available in 50/60 Hz

BENEFITS

- Outstanding CFM Performance in High Pressure Systems
- Dependability with an 18 Month Warranty
- Extended Bearing Life
- Designed with optional performance features

PERFORMANCE GRAPH



176 x 112 mm

Model Number	Rated Voltage	Hertz	Running Current	Input Power	Speed	Rated Airflow		Rated Air Pressure		Noise
	VAC	Hz	Amps	Watts	RPM	CFM	m ³ /Hr	In H ₂ O	Pa	DbA
TNE2	115	60	0.49	59	3350	340	577	0.87	217	65.4
TNE3	230	60	0.25	59	3350	340	577	0.87	217	65.4

COMAIR ROTRON, INC
 8929 Terman Court, San Diego, CA 92121
 Ph (858) 348-6200 Fax (858) 566-4577
 E-mail: sales@comairrotron.com,
 Web: www.comairrotron.com

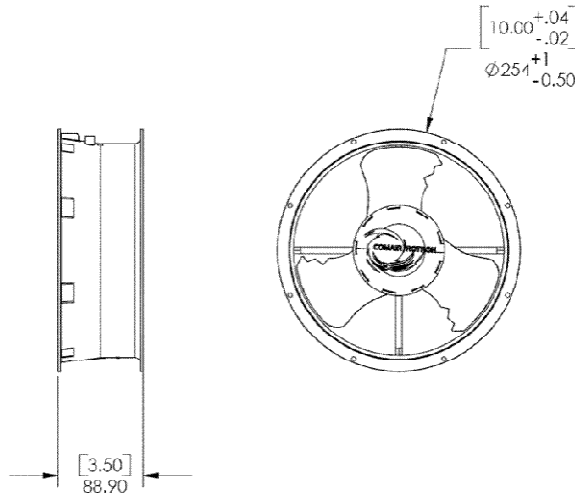


approvals pending

Caravel AC



MECHANICAL DRAWING



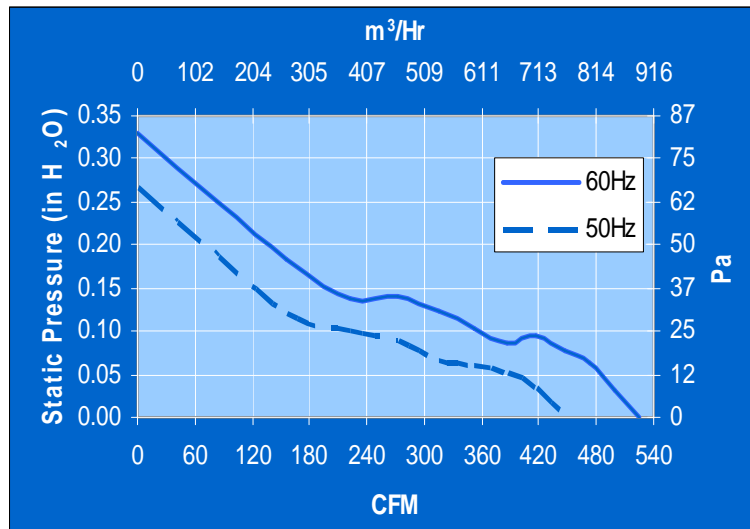
STANDARD FEATURES

- Size: 254 x 88.9mm deep (10" x 3.5")
- Operating Temperature: -10°C to +70°C
- Storage Temperature: -40°C to +85°C
- Weight: 2 Kg (4.4 lbs.)
- Dual Ball Bearings
- Impeller: Polycarbonate
- Venturi: Metal Alloy
- 12" Lead Wires

BENEFITS

- Outstanding CFM Performance in High Pressure Systems
- Dependability with an 18 Month Warranty
- Extended Bearing Life
- Designed with optional performance features

PERFORMANCE GRAPH



254 x 89mm

Model Number	Rated Voltage	Hertz	Running Current	Input Power	Speed	Rated Airflow		Rated Air Pressure		Noise
	VAC					CFM	m ³ /Hr	In H ₂ O	Pa	
CLE2L2	115	60	0.50	61	1650	550	934	0.375	93	49.2
CLE3L2	220	60	0.25	60	1650	550	934	0.375	93	49.2

COMAIR ROTRON, INC

8929 Terman Court, San Diego, CA 92121
 Ph (858) 348-6200 Fax (858) 566-4577
 E-mail: sales@comairrotron.com,
 Web: www.comairrotron.com

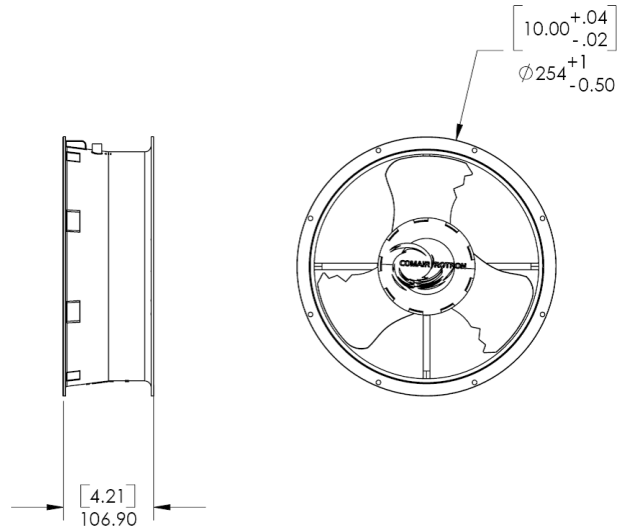


approvals pending

Caravel XL AC



MECHANICAL DRAWING



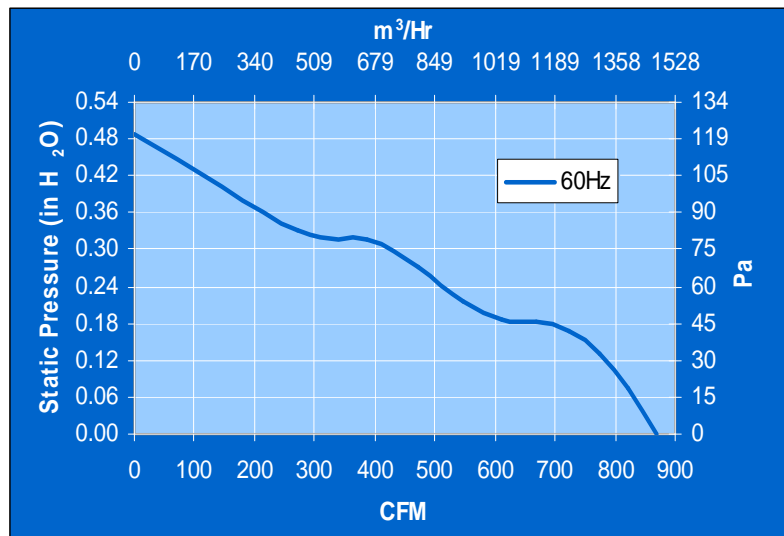
STANDARD FEATURES

- Size: 254 x 106.9mm deep (10" x 4.2")
- Operating Temperature: -10°C to +70°C
- Storage Temperature: -40°C to +85°C
- Weight: 2.1 Kg (4.6 lbs.)
- Dual Ball Bearings
- Impeller: Polycarbonate
- Venturi: Metal Alloy
- 12" Lead Wires

BENEFITS

- Outstanding CFM Performance in High Pressure Systems
- Dependability with an 18 Month Warranty
- Extended Bearing Life
- Designed with optional performance features

PERFORMANCE GRAPH



254 x 107mm

Model Number	Rated Voltage	Hertz	Running Current	Input Power	Speed	Rated Airflow		Rated Air Pressure		Noise
	VAC					CFM	m ³ /Hr	In H ₂ O	Pa	
CLE2L5	115	60	1.3	115	2400	825	1401	0.41	101	60
CLE3L5	230	60	0.6	110	2400	825	1401	0.41	101	60

COMAIR ROTRON, INC
 8929 Terman Court, San Diego, CA 92121
 Ph (858) 348-6200 Fax (858) 566-4577
 E-mail: sales@comairrotron.com,
 Web: www.comairrotron.com

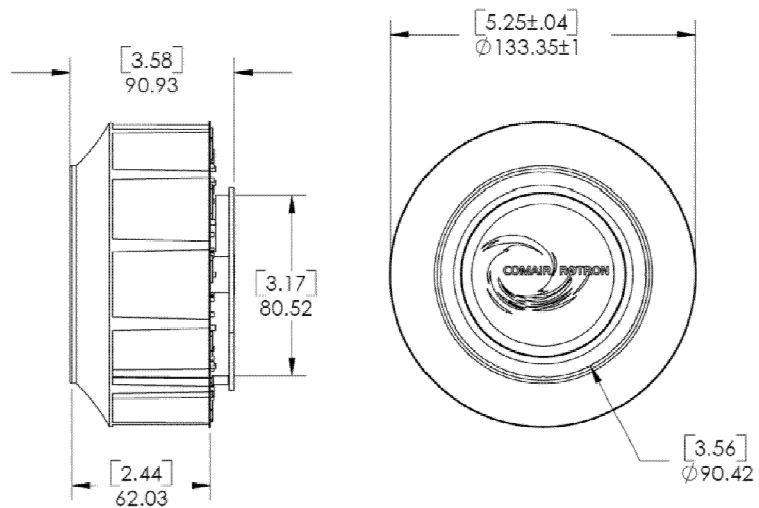


approvals pending

5.25" Diplomat AC



MECHANICAL DRAWING



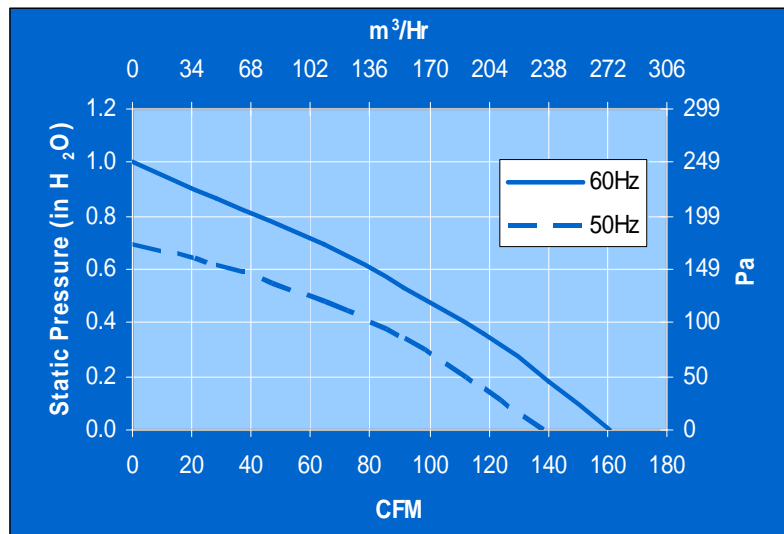
STANDARD FEATURES

- Size: 133.35x 90.93 mm deep (5.25" x 3.6")
- Operating Temperature: -10°C to +70°C
- Storage Temperature: -40°C to +85°C
- Weight: 510 g (18 oz.)
- Sleeve Bearings
- Impeller: Polypropylene
- Venturi: Die Cast Aluminum
- 12" Lead Wires
- Available in 50/60 Hz

BENEFITS

- Outstanding CFM Performance in High Pressure Systems
- Dependability with an 18 Month Warranty
- Extended Bearing Life
- Designed with optional performance features

PERFORMANCE GRAPH



133 X 91 mm

Model Number	Rated Voltage	Hertz	Running Current	Input Power	Speed	Rated Airflow		Rated Air Pressure		Noise
	VAC					Hz	Amps	Watts	RPM	
DAF2B	115	60	0.26	31	3350	160	272	1.0	249	57.1
DAF77B	220/230	60	0.12	28	3350	160	272	1.0	249	57.1

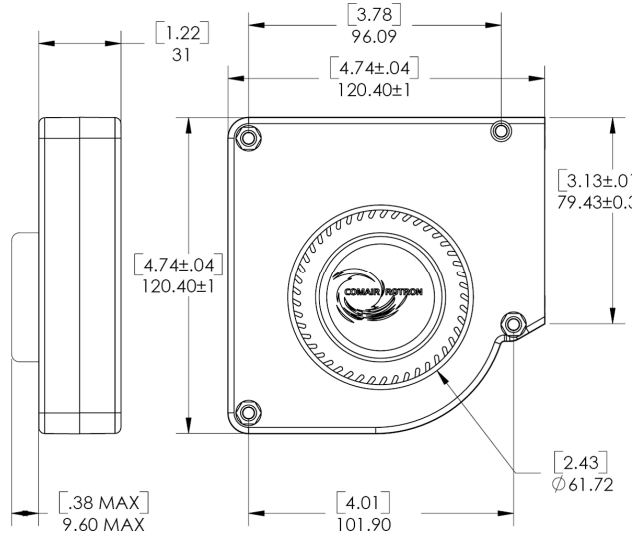
COMAIR ROTRON, INC
 8929 Terman Court, San Diego, CA 92121
 Ph (858) 348-6200 Fax (858) 566-4577
 E-mail: sales@comairrotron.com,
 Web: www.comairrotron.com



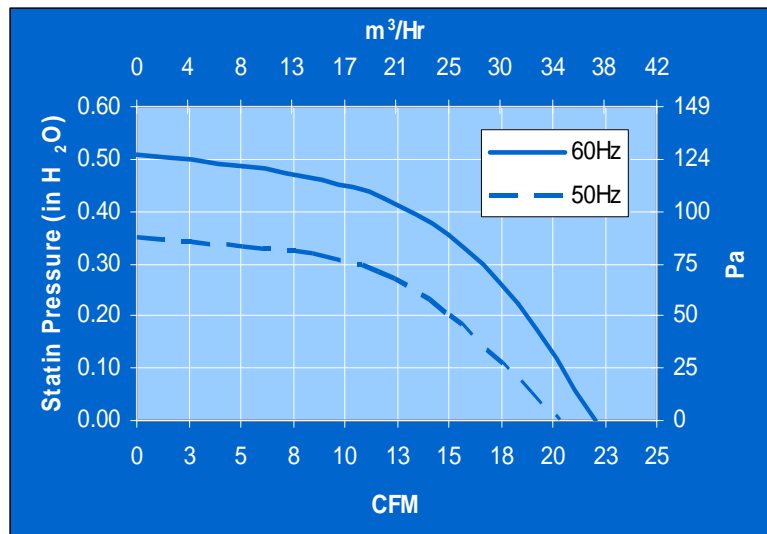
Biscuit AC



MECHANICAL DRAWING



PERFORMANCE GRAPH



120 x 41 mm

STANDARD FEATURES

- Size: 120.4 x 40.6 mm deep (4.74" x 1.6")
- Operating Temperature: -10°C to +70°C
- Storage Temperature: -40°C to +85°C
- Weight: 510 g (18 oz.)
- Sleeve Bearings
- Impeller: Polypropylene
- Venturi: Polycarbonate
- 12" Lead Wires
- Available in 50/60 Hz

BENEFITS

- Outstanding CFM Performance in High Pressure Systems
- Dependability with an 18 Month Warranty
- Extended Bearing Life
- Designed with optional performance features

Model Number	Rated Voltage	Hertz	Running Current	Input Power	Speed	Rated Airflow		Rated Air Pressure		Noise
	VAC					CFM	m ³ /Hr	In H ₂ O	Pa	
BT2A	115	60	0.17	16	2700	22	37	0.5	126	49.6
BT3A	220/230	60	0.08	14	2700	22	37	0.5	126	49.6

COMAIR ROTRON, INC
 8929 Terman Court, San Diego, CA 92121
 Ph (858) 348-6200 Fax (858) 566-4577
 E-mail: sales@comairrotron.com,
 Web: www.comairrotron.com



approvals pending

Custom Engineered Solutions

Comair Rotron is an engineering based company which is able to design, develop, gain approval and manufacture integrated custom cooling solutions based on the customer's individual cooling specifications. All solutions can incorporate internationally recognized standards including UL, TUV, CE and ETSI.

A Comair Rotron turnkey solution can include a complete assembly comprising fans, controllers, blowers, impellers, PCB's, plastic moldings, sheet metal enclosures, wiring harnesses, RFI suppression, air filtering or whatever your thermal needs dictate.

Whether your application involves network servers, telecommunications equipment, electronic cabinets, computers or laboratory equipment Comair Rotron's custom cooling solutions will solve your thermal requirements.

Air moving solutions made simple

www.ComairRotron.com

COMAIR ROTRON Inc.
8929 Terman Court
San Diego, CA 92121
Main line: 858-348-6200
S&M fax: 858-566-4558
sales@comairrotron.com
www.comairrotron.com

COMAIR ROTRON EUROPE, Ltd.
Unit 5, The IO Centre
Nash Road, Park North,
Redditch, Worcestershire
B98 7AS, United Kingdom
Phone +44.1527.520525
Fax +44.1527.520565
saleseurope@comairrotron.com

COMAIR ROTRON (Shanghai) Fan Company Ltd.
18 Building 100 Lane
Lian Yu Road
Hua Cao
Minhang District
Shanghai, China Post Code 201107
Phone Office: +86.21.52260581
Fax: +86.21.52260597
salesasia@comairrotron.com

