

# CONEC<sup>®</sup>

TECHNOLOGY IN CONNECTORS<sup>™</sup>

SENSOR ACTOR LINE CIRCULAR CONNECTORS





TECHNOLOGY IN CONNECTORS™



GERMANY

As a leading connector manufacturer CONEC develops, produces and markets connectors worldwide to the electronic and communications industry. CONEC is committed to contribute to progress in inter-connect technology, and to satisfy and delight customers through innovation, quality manufacturing and superior services.

CONEC provides global account management in a customer's home country and combines the information received for product and design and delivery of the end product to the customer's multiple manufacturing locations worldwide.

Local sales and engineering support around the globe provides the customer knowledgeable assistance in their own language to fully communicate and to understand the needs of their business environment.





CANADA

USA

CONEC designs and manufactures a wide variety of electronic connector products. CONEC provides reliable and effective solutions to problems faced by electronic equipment manufacturers, contract manufacturers and cable assembly operations.

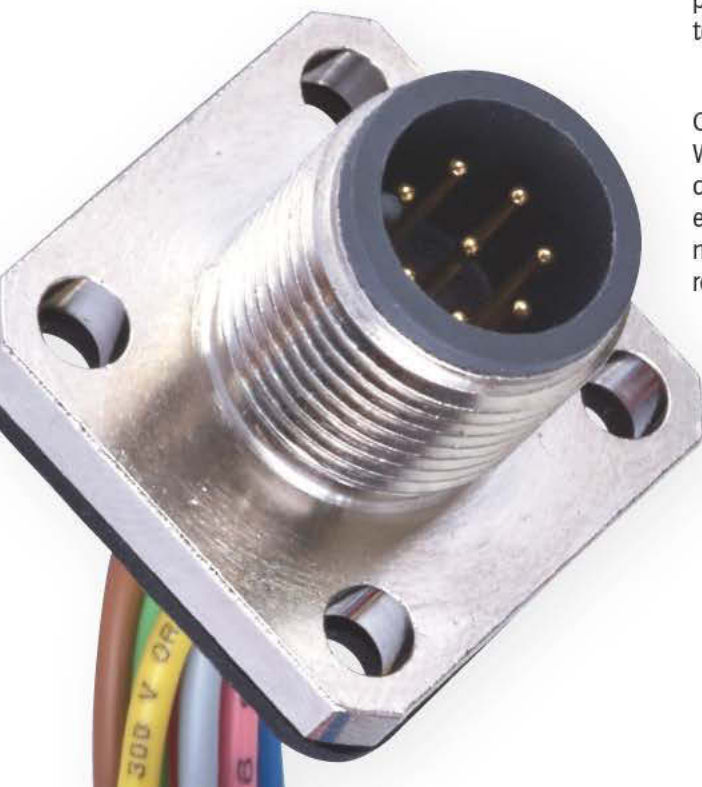


OUR PHILOSOPHY – CUSTOMER SATISFACTION.



Quality is realized right from the beginning with Total Quality Management concept. Therefore our customers are included into all our processes, starting with design phase, first sampling, series production release and continuous sales support. The phases will be accompanied by drawings, samples and test reports. The entire quality process is documented and approved. CONEC is certified to ISO/TS16949:2002.

CONEC inhouse is equipped with modern test systems. We can verify the requirements and implement a continuous product improvement process to meet and exceed future requirements. To fulfill international and national requirements most of CONEC product series are registered by UL, CSA or VDE.



## CONEC IS YOUR SPECIALIST FOR DESIGN AND PRODUCTION OF SPECIAL CUSTOMIZED PRODUCTS.

Flexibility, assurance and rapid response are required in today's market more than ever before. CONEC fulfills these demands with central order-processing and well implemented quality control systems. Statistical process control as well as just in time deliveries are a common practice. Numerous customers honored this performance by approving CONEC to a "Preferred Supplier" status.



Are you looking for application-specific solutions?  
Standard products do not meet your needs?  
The implementation deadline is tight?






CONEC experienced design team can create your solution for you:






- Special Interconnect solutions to customers specifications
- Prototypes and small series production batches
- Connectors with increased IP ratings for harsh environments.

Contact us to discuss your special requirements.



## TABLE OF CONTENTS

<b>SECTION 1</b>	<b>CONNECTORS OVERMOULDED</b>	
	Nomenclature – Productspecification	1   2
	M8x1/Ø8mm Connectors	1   10
	M12x1 Connectors	1   41
	7/8" Connectors	1   85
	Rund24 Connectors	1   101
<b>SECTION 2</b>	<b>CONNECTORS FIELD-ATTACHABLE</b>	
	Nomenclature – Productspecification	2   2
	M8x1 Connectors	2   14
	M12x1 Connectors	2   22
	7/8" Connectors	2   34
	M23 Connectors	2   36
	Rund24 Connectors	2   40
<b>SECTION 3</b>	<b>SOCKETS</b>	
	Nomenclature – Productspecification	3   2
	M8x1 Sockets	3   10
	M12x1 Sockets	3   14
	7/8" Sockets	3   64
	M12x1 Lead through for switch case	3   79
	M12x1 Sockets SMT-version	3   80
<b>SECTION 4</b>	<b>PANEL PLUGS/-FEMALE PANEL</b>	
	Nomenclature – Productspecification	4   2
	Ø8mm Panel Plugs	4   6
	M8x1 Panel Plugs	4   14
	M12x1 Panel Plugs	4   15
<b>SECTION 5</b>	<b>CONNECTORS FOR SPECIAL APPLICATIONS</b>	
	<b>Connectors High Temperature</b>	
	Nomenclature – Productspecification	5   2
	M12x1 Connectors overmoulded	5   8
	M12x1 Sockets	5   14
	<b>Connectors Food &amp; Beverage Industry</b>	
	M8x1 Connectors overmoulded	5   26
	M8x1 Sockets	5   32
	M12x1 Connectors overmoulded	5   33
	M12x1 Sockets	5   41
	M12x1 Junction boxes	5   45

<b>SECTION 6</b>	<b>BUS SYSTEMS</b>	
	Nomenclature – Productspecification	6   2
	B-Coding Profibus DP	6   16
	D-Coding Industrial Ethernet 100MHz	6   53
	X-Coding M12x1	6   72
	DeviceNet	6   74
	CAN-Bus	6   87
	D-SUB Profibus DP	6   92
<b>SECTION 7</b>	<b>JUNCTION BOXES</b>	
	Nomenclature – Productspecification	7   2
	Y-splitter M12x1/M8x1	7   12
	DUO-splitter M12x1/M8x1/Valve	7   15
	T-splitter M12x1/M8x1	7   23
	Adapter	7   26
	Junction boxes M8x1/M12x1	7   28
<b>SECTION 8</b>	<b>VALVEPLUGS</b>	
	Nomenclature – Productspecification	8   2
	Configuration A	8   4
	Configuration B-Industry	8   6
	Configuration C	8   10
<b>SECTION 9</b>	<b>ACCESSORIES</b>	
	Torque wrench/Plug insert	9   2
	Hex nut	9   5
	Protecion caps	9   7
<b>SECTION 10</b>	<b>INDEX</b>	
	Index numeric	10   2



SECTION 1

# CONNECTORS OVERMOULDED

---





## SAL M8x1/Ø8MM CONNECTORS OVERMOULDED

## Nomenclature

S A L - 8 - R K W S 3 - 3 / A 1

**SAL**  
Sensor Actor Line

**Installation size**  
8 = M8x1/Ø8 mm

**Coding**  
= Standard  
B = B-coded

**Building**  
R = Circular connector

**Configuration**  
K = Female connector  
S = Male connector

**Building**  
= Axial  
W = Angled

**Version**  
F = Thread fixed

**Building**  
= Screwable  
S = Snap-in  
U = Screwable/Snap-in

**Number of poles**  
3 = 3-pos  
4 = 4-pos  
5 = 5-pos  
8 = 8-pos

**Cable length**  
XX = Length [m]

**Cable quality**  
A1 = PVC, grey  
K1 = TPU, black, high flexible, halogenfree, UL

# SAL M8x1/Ø8MM CONNECTORS OVERMOULDED

## Productspecification

Basic material	
Contact	CuZn
Contact plating	Ni, Au gal.
Contact carrier	TPU GF, UL 94 / PA, UL 94
Moulding body	TPU, UL 94, grau
Sealing	FPM
Coupling nut/-screw	GD-Zn, Ni

Technical Data	
Information on the following pages are basing on below mentioned IEC-standards.	
Rated voltage	IEC 61076-2-104
Current rating	IEC 61076-2-104
Insulation resistance	IEC 60512
Pollution degree	IEC 60664-1
Degree of protection	IEC 60529
Temperature range	IEC 60664-1
Mating cycles	IEC 60512-9a

Recommended torque: 0,4 Nm

Technical subject to change without notice.

## SAL M12x1 CONNECTORS OVERMOULDED

## Nomenclature

**S A L - 1 2 - R K W 4 - 3 L - 3 / A 1**

**SAL**  
Sensor Actor Line

**Installation size**  
12 = M12x1

**Coding**  
= A-coding  
S = A-coding shielded

**Building**  
R = Circular connector

**Configuration**  
K = Female connector  
S = Male connector

**Building**  
= Axial  
W = Angled

**Number of poles**  
3 = 3-pos  
4 = 4-pos  
5 = 5-pos  
6 = 6-pos  
8 = 8-pos  
12 = 12-pos

**LED-display**  
2L = 2 LED-display  
3L = 3 LED-display

**Cable length**  
XX = Length [m]

**Cable quality**  
A1 = PVC, grey  
A3 = PVC, grey, UL  
G2 = TPU, black, shielded, UL  
G3 = PVC, grey, shielded, UL  
J1 = TPU, orange, irradiated, halogenfree, UL  
K1 = TPU, black, high flexible, halogenfree, UL

# SAL M12x1 CONNECTORS OVERMOULDED

## Productspecification

Basic material	
Contact	CuZn
Contact plating	Ni, Au gal.
Contact carrier	TPU GF, UL 94 / PA, UL 94
Moulding body standard configuration	TPU, UL 94, grey
Moulding body LED-display configuration	TPU, UL 94, transluzent
Sealing	FPM
Coupling nut/-screw	GD-Zn, Ni

Technical Data	
Information on the following pages are basing on below mentioned IEC-standards.	
Rated voltage	IEC 61076-2-101
Current rating	IEC 61076-2-101
Insulation resistance	IEC 60512
Pollution degree	IEC 60664-1
Degree of protection	IEC 60529
Temperature range	IEC 60664-1
Mating cycles	IEC 60512-9a

Recommended torque: 0,6 Nm

Technical subject to change without notice.

# SAL 7/8" CONNECTORS OVERMOULDED

## Nomenclature

**S A L - 7 / 8 - R K W 4 - 2 / A 3 / 150**

**SAL**  
Sensor Actor Line

**Installation size**  
7/8 = 7/8"

**Building**  
R = Circular connector

**Configuration**  
K = Female connector  
S = Male connector

**Building**  
= Axial  
W = Angled

**Number of poles**  
2PE = 2-pos + Ground  
4 = 4-pos  
4PE = 4-pos + Ground

**Cable length**  
XX = Length [m]

**Cable quality**  
A3 = PVC, grey, 300 V, UL  
A6 = PVC, grey, 600 V, UL  
K1 = TPU, black, 300 V, UL  
K0 = TPU, black, 600 V, UL

**Wire cross-section**  
= 0,75mm<sup>2</sup>  
150 = 1,5mm<sup>2</sup>

# SAL 7/8" CONNECTORS OVERMOULDED

## Productspecification

Basic material	
Contact	CuZn
Contact plating	Ni, Au gal.
Contact carrier	TPU, UL 94
Moulding body	TPU, UL 94
Coupling nut/-screw	CuZn, Ni

Technical Data	
Information on the following pages are basing on below mentioned IEC-standards.	
Rated voltage	IEC 60664-1
Overvoltage category	IEC 60664-1 2
Overvoltage impulse	IEC 60664-1 2,7kV
Current rating	IEC 60512-3
Insulation resistance	IEC 60512
Pollution degree	IEC 60664-1
Degree of protection	IEC 60529
Temperature range	IEC 60664-1
Mating cycles	IEC 60512-9a

Technical subject to change without notice.

# SAL RUND24 CONNECTORS OVERMOULDED

## Nomenclature

**S A L - 2 4 - R K W 3 P E - 2 / A 3**

**SAL**  
Sensor Actor Line

**Installation size**  
24 = Rund24

**Building**  
R = Circular connector

**Configuration**  
K = Female connector  
S = Male connector

**Building**  
= Axial  
W = Angled

**Number of poles**  
3PE = 3-pos + Ground

**Cable length**  
XX = Length [m]

**Cable quality**  
A3 = PVC, grey, UL

# SAL RUND24 CONNECTORS OVERMOULDED

## Productspecification

Basic material	
Contact	CuZn
Contact plating	Ni, Ag gal.
Contact carrier	PA GF, UL 94
Moulding body	TPU, UL 94
Sealing	FPM
Coupling nut/-screw	PA GF, UL 94

Technical Data	
Information on the following pages are basing on below mentioned IEC-standards.	
Rated voltage	IEC 60664-1
Current rating	IEC 60512-3
Insulation resistance	IEC 60512
Pollution degree	IEC 60664-1
Degree of protection	IEC 60529
Temperature range	IEC 60664-1
Mating cycles	IEC 60512-9a

Technical subject to change without notice.

# SAL M8x1 CONNECTORS

Female connector, axial, screwable



RoHS compliant

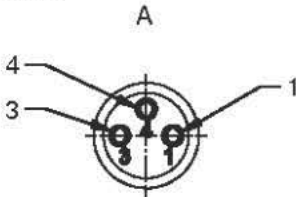
## TECHNICAL DATA

Rated voltage	3-pos	4-pos
	60V	30V
Current rating	3A at +40°C	
Pollution degree	3 / 2	
Insulation resistance	≥ 100 MΩ	
Degree of protection	IP67 in mated condition	
Temperature range	-30°C to +80°C	
Mating cycles	≥ 100	

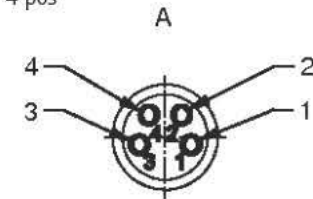
## PRODUCT DRAWING

### Pin Configuration

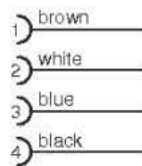
3-pos



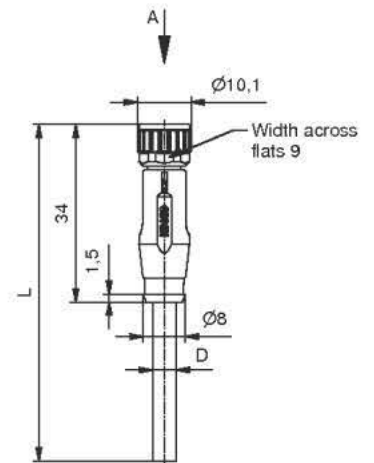
4-pos



### Contact Assignment



### Dimension



## ORDER DATA

Cable	Length/L	Description	3-pos Part-no.	Description	4-pos Part-no.
PVC grey LiYY 0,25 mm <sup>2</sup>	2m	SAL-8-RK3-2/A1	42-10000	SAL-8-RK4-2/A1	42-10032
	3m	SAL-8-RK3-3/A1	42-10001	SAL-8-RK4-3/A1	42-10033
	5m	SAL-8-RK3-5/A1	42-10002	SAL-8-RK4-5/A1	42-10034
	10m	SAL-8-RK3-10/A1	42-10003	SAL-8-RK4-10/A1	42-10035
TPU UL, halogenfree black Li9Y11Y 0,25 mm <sup>2</sup>	2m	SAL-8-RK3-2/K1	42-10004	SAL-8-RK4-2/K1	42-10036
	3m	SAL-8-RK3-3/K1	42-10005	SAL-8-RK4-3/K1	42-10037
	5m	SAL-8-RK3-5/K1	42-10006	SAL-8-RK4-5/K1	42-10038
	10m	SAL-8-RK3-10/K1	42-10007	SAL-8-RK4-10/K1	42-10039

For custom length or quality levels contact factory

# SAL M8x1 CONNECTORS

Female connector, axial, screwable



RoHS compliant

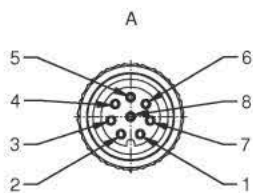
## TECHNICAL DATA

Rated voltage	8-pos 30V
Current rating	1,5A at +40°C
Pollution degree	3 / 2
Insulation resistance	>= 100 MΩ
Degree of protection	IP67 in mated condition
Temperature range	-30°C to +80°C
Mating cycles	>= 100

## PRODUCT DRAWING

### Pin Configuration

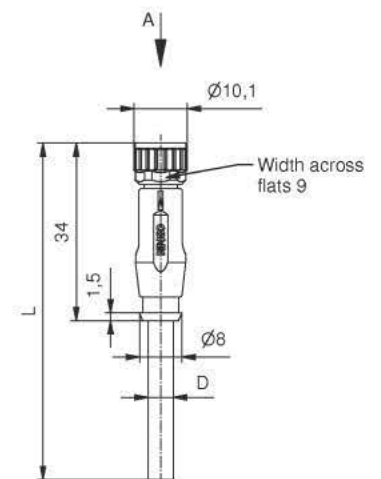
8-pos



### Contact Assignment

1) white	5) grey
2) brown	6) pink
3) green	7) blue
4) yellow	8) red

### Dimension



## ORDER DATA

Cable	Length / L	Description	8-pos Part-no.
PVC grey LiYY 0,14 mm <sup>2</sup>	2m	SAL-8-RK8-2 / A1	42-11226
	3m	SAL-8-RK8-3 / A1	42-11227
	5m	SAL-8-RK8-5 / A1	42-11228
	10m	SAL-8-RK8-10 / A1	42-11229
TPU UL, halogenfree black Li9Y11Y 0,14 mm <sup>2</sup>	2m	SAL-8-RK8-2 / K1	42-11175
	3m	SAL-8-RK8-3 / K1	42-11176
	5m	SAL-8-RK8-5 / K1	42-11177
	10m	SAL-8-RK8-10 / K1	42-11178

For custom length or quality levels contact factory

# SAL M8x1 CONNECTORS

Male connector, axial, screwable



RoHS compliant

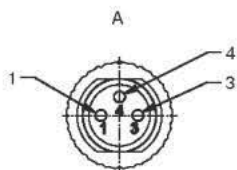
## TECHNICAL DATA

Rated voltage	3-pos	4-pos
	60V	30V
Current rating	3A at +40°C	
Pollution degree	3 / 2	
Insulation resistance	≥ 100 MΩ	
Degree of protection	IP67 in mated condition	
Temperature range	-30°C to +80°C	
Mating cycles	≥ 100	

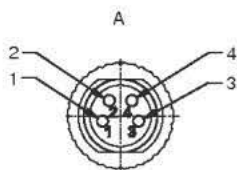
## PRODUCT DRAWING

### Pin Configuration

3-pos



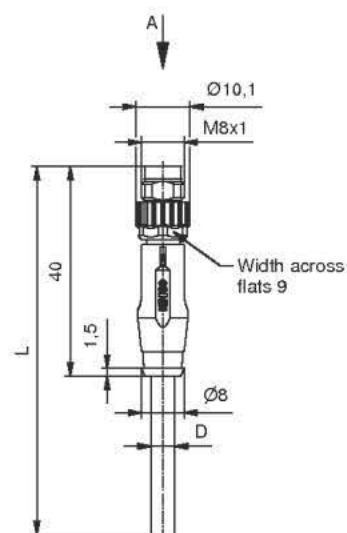
4-pos



### Contact Assignment

1	brown
2	white
3	blue
4	black

### Dimension



## ORDER DATA

Cable	Length/L	Description	3-pos Part-no.	Description	4-pos Part-no.
PVC grey LiYY 0,25 mm <sup>2</sup>	2m	SAL-8-RS3-2/A1	42-10008	SAL-8-RS4-2/A1	42-10040
	3m	SAL-8-RS3-3/A1	42-10009	SAL-8-RS4-3/A1	42-10041
	5m	SAL-8-RS3-5/A1	42-10010	SAL-8-RS4-5/A1	42-10042
	10m	SAL-8-RS3-10/A1	42-10011	SAL-8-RS4-10/A1	42-10043
TPU UL, halogenfree black Li9Y11Y 0,25 mm <sup>2</sup>	2m	SAL-8-RS3-2/K1	42-10012	SAL-8-RS4-2/K1	42-10044
	3m	SAL-8-RS3-3/K1	42-10013	SAL-8-RS4-3/K1	42-10045
	5m	SAL-8-RS3-5/K1	42-10014	SAL-8-RS4-5/K1	42-10046
	10m	SAL-8-RS3-10/K1	42-10015	SAL-8-RS4-10/K1	42-10047

For custom length or quality levels contact factory

# SAL M8x1 CONNECTORS

Male connector, axial, screwable



RoHS compliant

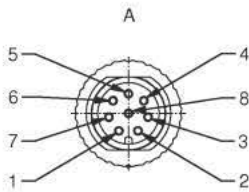
## TECHNICAL DATA

Rated voltage	8-pos 30V
Current rating	1,5A at +40°C
Pollution degree	3 / 2
Insulation resistance	>= 100 MΩ
Degree of protection	IP67 in mated condition
Temperature range	-30°C to +80°C
Mating cycles	>= 100

## PRODUCT DRAWING

### Pin Configuration

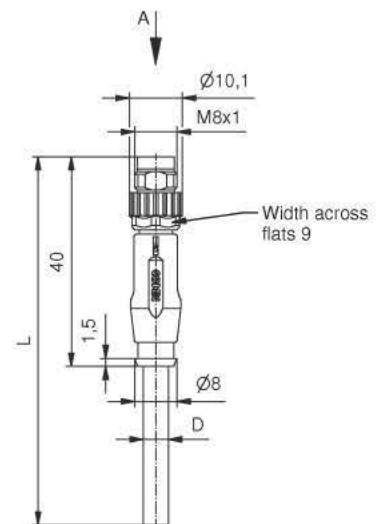
8-pos



### Contact Assignment

1 white	5 grey
2 brown	6 pink
3 green	7 blue
4 yellow	8 red

### Dimension



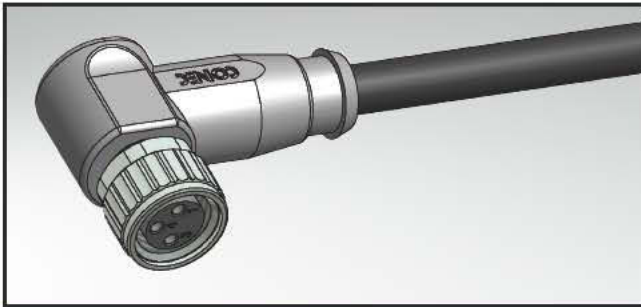
## ORDER DATA

Cable	Length / L	Description	8-pos Part-no.
PVC grey LiYY 0,14 mm <sup>2</sup>	2m	SAL-8-RS8-2 / A1	42-11230
	3m	SAL-8-RS8-3 / A1	42-11231
	5m	SAL-8-RS8-5 / A1	42-11232
	10m	SAL-8-RS8-10 / A1	42-11233
TPU UL, halogenfree black Li9Y11Y 0,14 mm <sup>2</sup>	2m	SAL-8-RS8-2 / K1	42-11179
	3m	SAL-8-RS8-3 / K1	42-11180
	5m	SAL-8-RS8-5 / K1	42-11181
	10m	SAL-8-RS8-10 / K1	42-11182

For custom length or quality levels contact factory

# SAL M8x1 CONNECTORS

Female connector, angled, screwable



RoHS compliant

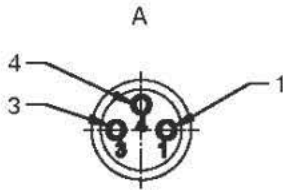
## TECHNICAL DATA

Rated voltage	3-pos	4-pos
	60V	30V
Current rating	3A at +40°C	
Pollution degree	3 / 2	
Insulation resistance	≥ 100 MΩ	
Degree of protection	IP67 in mated condition	
Temperature range	-30°C to +80°C	
Mating cycles	≥ 100	

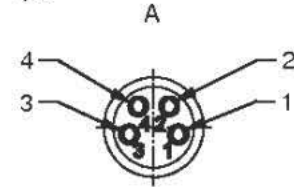
## PRODUCT DRAWING

### Pin Configuration

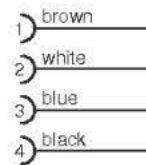
3-pos



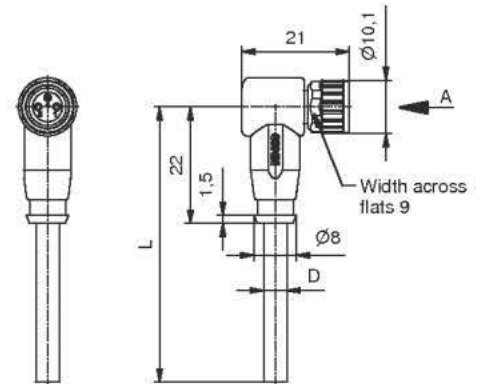
4-pos



### Contact Assignment



### Dimension



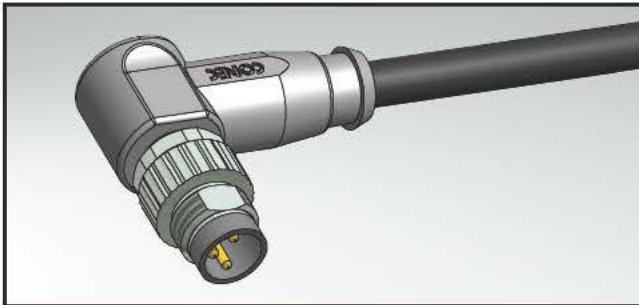
## ORDER DATA

Cable	Length/L	Description	3-pos Part-no.	Description	4-pos Part-no.
PVC grey LiYY 0,25 mm <sup>2</sup>	2m	SAL-8-RKW3-2/A1	42-10016	SAL-8-RKW4-2/A1	42-10048
	3m	SAL-8-RKW3-3/A1	42-10017	SAL-8-RKW4-3/A1	42-10049
	5m	SAL-8-RKW3-5/A1	42-10018	SAL-8-RKW4-5/A1	42-10050
	10m	SAL-8-RKW3-10/A1	42-10019	SAL-8-RKW4-10/A1	42-10051
TPU UL, halogenfree black Li9Y11Y 0,25 mm <sup>2</sup>	2m	SAL-8-RKW3-2/K1	42-10020	SAL-8-RKW4-2/K1	42-10052
	3m	SAL-8-RKW3-3/K1	42-10021	SAL-8-RKW4-3/K1	42-10053
	5m	SAL-8-RKW3-5/K1	42-10022	SAL-8-RKW4-5/K1	42-10054
	10m	SAL-8-RKW3-10/K1	42-10023	SAL-8-RKW4-10/K1	42-10055

For custom length or quality levels contact factory

# SAL M8x1 CONNECTORS

Male connector, angled, screwable



RoHS compliant

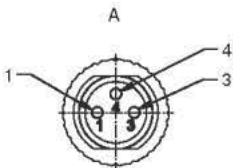
## TECHNICAL DATA

Rated voltage	3-pos	4-pos
	60V	30V
Current rating	3A at +40°C	
Pollution degree	3 / 2	
Insulation resistance	≥ 100 MΩ	
Degree of protection	IP67 in mated condition	
Temperature range	-30°C to +80°C	
Mating cycles	≥ 100	

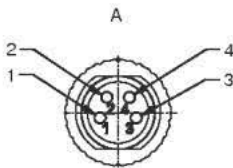
## PRODUCT DRAWING

### Pin Configuration

3-pos



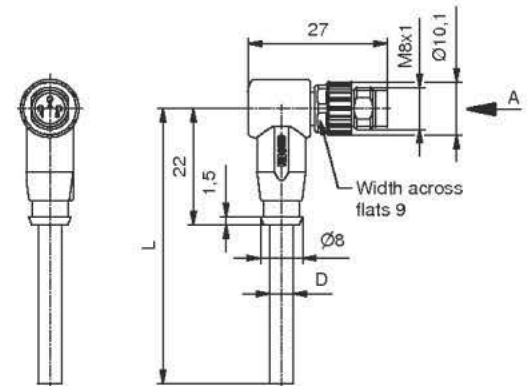
4-pos



### Contact Assignment

1	brown
2	white
3	blue
4	black

### Dimension



## ORDER DATA

Cable	Length/L	Description	3-pos Part-no.	Description	4-pos Part-no.
PVC grey LiYY 0,25 mm <sup>2</sup>	2m	SAL-8-RSW3-2/A1	42-10024	SAL-8-RSW4-2/A1	42-10056
	3m	SAL-8-RSW3-3/A1	42-10025	SAL-8-RSW4-3/A1	42-10057
	5m	SAL-8-RSW3-5/A1	42-10026	SAL-8-RSW4-5/A1	42-10058
	10m	SAL-8-RSW3-10/A1	42-10027	SAL-8-RSW4-10/A1	42-10059
TPU UL, halogenfree black Li9Y11Y 0,25 mm <sup>2</sup>	2m	SAL-8-RSW3-2/K1	42-10028	SAL-8-RSW4-2/K1	42-10060
	3m	SAL-8-RSW3-3/K1	42-10029	SAL-8-RSW4-3/K1	42-10061
	5m	SAL-8-RSW3-5/K1	42-10030	SAL-8-RSW4-5/K1	42-10062
	10m	SAL-8-RSW3-10/K1	42-10031	SAL-8-RSW4-10/K1	42-10063

For custom length or quality levels contact factory

# SAL Ø8MM CONNECTORS

Female connector, axial, snap-in



RoHS compliant

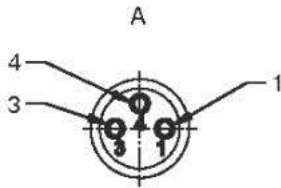
## TECHNICAL DATA

Rated voltage	3-pos	4-pos
	60V	30V
Current rating	3A at +40°C	
Pollution degree	3 / 2	
Insulation resistance	≥ 100 MΩ	
Degree of protection	IP67 in mated condition	
Temperature range	-30°C to +80°C	
Mating cycles	≥ 100	

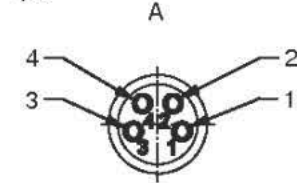
## PRODUCT DRAWING

### Pin Configuration

3-pos



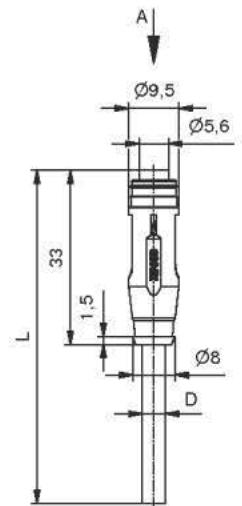
4-pos



### Contact Assignment

1	brown
2	white
3	blue
4	black

### Dimension



## ORDER DATA

Cable	Length/L	Description	3-pos Part-no.	Description	4-pos Part-no.
PVC grey LiYY 0,25 mm <sup>2</sup>	2m	SAL-8-RKS3-2/A1	42-10064	SAL-8-RKS4-2/A1	42-10096
	3m	SAL-8-RKS3-3/A1	42-10065	SAL-8-RKS4-3/A1	42-10097
	5m	SAL-8-RKS3-5/A1	42-10066	SAL-8-RKS4-5/A1	42-10098
	10m	SAL-8-RKS3-10/A1	42-10067	SAL-8-RKS4-10/A1	42-10099
TPU UL, halogenfree black Li9Y11Y 0,25 mm <sup>2</sup>	2m	SAL-8-RKS3-2/K1	42-10068	SAL-8-RKS4-2/K1	42-10100
	3m	SAL-8-RKS3-3/K1	42-10069	SAL-8-RKS4-3/K1	42-10101
	5m	SAL-8-RKS3-5/K1	42-10070	SAL-8-RKS4-5/K1	42-10102
	10m	SAL-8-RKS3-10/K1	42-10071	SAL-8-RKS4-10/K1	42-10103

For custom length or quality levels contact factory

# SAL Ø8MM CONNECTORS

Male connector, axial, snap-in



RoHS compliant

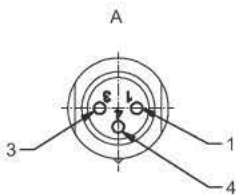
## TECHNICAL DATA

Rated voltage	3-pos	4-pos
	60V	30V
Current rating	3A at +40°C	
Pollution degree	3 / 2	
Insulation resistance	≥ 100 MΩ	
Degree of protection	IP67 in mated condition	
Temperature range	-30°C to +80°C	
Mating cycles	≥ 100	

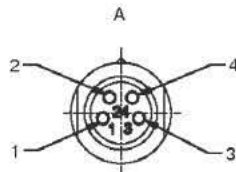
## PRODUCT DRAWING

### Pin Configuration

3-pos



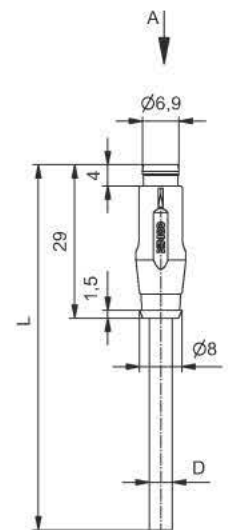
4-pos



### Contact Assignment

1	brown
2	white
3	blue
4	black

### Dimension



## ORDER DATA

Cable	Length/L	Description	3-pos Part-no.	Description	4-pos Part-no.
PVC grey LiYY 0,25 mm <sup>2</sup>	2m	SAL-8-RSS3-2/A1	42-10532	SAL-8-RSS4-2/A1	42-10531
	3m	SAL-8-RSS3-3/A1	42-10746	SAL-8-RSS4-3/A1	42-10749
	5m	SAL-8-RSS3-5/A1	42-10747	SAL-8-RSS4-5/A1	42-10750
	10m	SAL-8-RSS3-10/A1	42-10748	SAL-8-RSS4-10/A1	42-10751
TPU UL, halogenfree black Li9Y11Y 0,25 mm <sup>2</sup>	2m	SAL-8-RSS3-2/K1	42-10760	SAL-8-RSS4-2/K1	42-10764
	3m	SAL-8-RSS3-3/K1	42-10761	SAL-8-RSS4-3/K1	42-10765
	5m	SAL-8-RSS3-5/K1	42-10762	SAL-8-RSS4-5/K1	42-10766
	10m	SAL-8-RSS3-10/K1	42-10763	SAL-8-RSS4-10/K1	42-10767

For custom length or quality levels contact factory

# SAL M8X1/Ø8MM CONNECTORS

Male connector, axial, screwable/snap-in



RoHS compliant

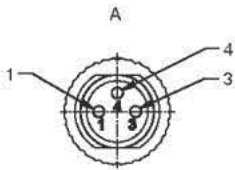
## TECHNICAL DATA

Rated voltage	3-pos	4-pos
	60V	30V
Current rating	3A at +40°C	
Pollution degree	3 / 2	
Insulation resistance	≥ 100 MΩ	
Degree of protection	IP67 in mated condition	
Temperature range	-30°C to +80°C	
Mating cycles	≥ 100	

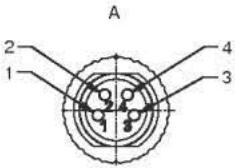
## PRODUCT DRAWING

### Pin Configuration

3-pos



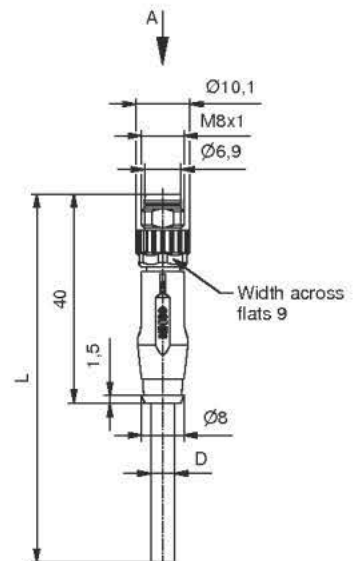
4-pos



### Contact Assignment

1	brown
2	white
3	blue
4	black

### Dimension



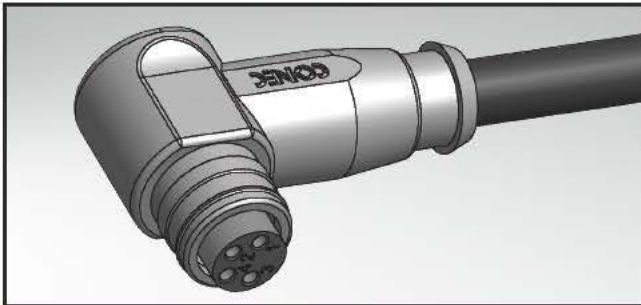
## ORDER DATA

Cable	Length/L	Description	3-pos Part-no.	Description	4-pos Part-no.
PVC grey LiYY 0,25 mm <sup>2</sup>	2m	SAL-8-RSU3-2/A1	42-10072	SAL-8-RSU4-2/A1	42-10104
	3m	SAL-8-RSU3-3/A1	42-10073	SAL-8-RSU4-3/A1	42-10105
	5m	SAL-8-RSU3-5/A1	42-10074	SAL-8-RSU4-5/A1	42-10106
	10m	SAL-8-RSU3-10/A1	42-10075	SAL-8-RSU4-10/A1	42-10107
TPU UL, halogenfree black Li9Y11Y 0,25 mm <sup>2</sup>	2m	SAL-8-RSU3-2/K1	42-10076	SAL-8-RSU4-2/K1	42-10108
	3m	SAL-8-RSU3-3/K1	42-10077	SAL-8-RSU4-3/K1	42-10109
	5m	SAL-8-RSU3-5/K1	42-10078	SAL-8-RSU4-5/K1	42-10110
	10m	SAL-8-RSU3-10/K1	42-10079	SAL-8-RSU4-10/K1	42-10111

For custom length or quality levels contact factory

# SAL Ø8MM CONNECTORS

Female connector, angled, snap-in



RoHS compliant

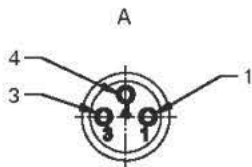
## TECHNICAL DATA

Rated voltage	3-pos	4-pos
	60V	30V
Current rating	3A at +40°C	
Pollution degree	3 / 2	
Insulation resistance	≥ 100 MΩ	
Degree of protection	IP67 in mated condition	
Temperature range	-30°C to +80°C	
Mating cycles	≥ 100	

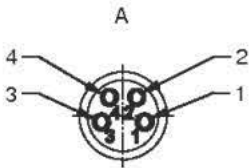
## PRODUCT DRAWING

### Pin Configuration

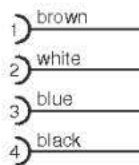
3-pos



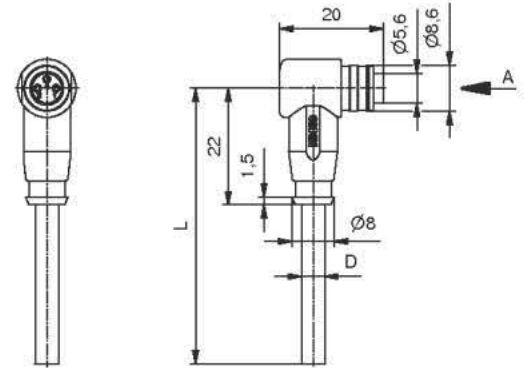
4-pos



### Contact Assignment



### Dimension



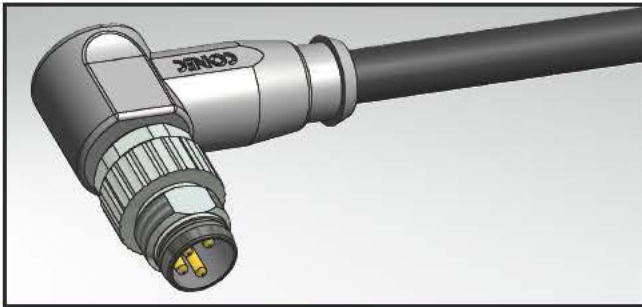
## ORDER DATA

Cable	Length/L	Description	3-pos Part-no.	Description	4-pos Part-no.
PVC grey LiYY 0,25 mm <sup>2</sup>	2m	SAL-8-RKWS3-2/A1	42-10080	SAL-8-RKWS4-2/A1	42-10112
	3m	SAL-8-RKWS3-3/A1	42-10081	SAL-8-RKWS4-3/A1	42-10113
	5m	SAL-8-RKWS3-5/A1	42-10082	SAL-8-RKWS4-5/A1	42-10114
	10m	SAL-8-RKWS3-10/A1	42-10083	SAL-8-RKWS4-10/A1	42-10115
TPU UL, halogenfree black Li9Y11Y 0,25 mm <sup>2</sup>	2m	SAL-8-RKWS3-2/K1	42-10084	SAL-8-RKWS4-2/K1	42-10116
	3m	SAL-8-RKWS3-3/K1	42-10085	SAL-8-RKWS4-3/K1	42-10117
	5m	SAL-8-RKWS3-5/K1	42-10086	SAL-8-RKWS4-5/K1	42-10118
	10m	SAL-8-RKWS3-10/K1	42-10087	SAL-8-RKWS4-10/K1	42-10119

For custom length or quality levels contact factory

# SAL M8x1/Ø8MM CONNECTORS

Male connector, angled, screwable/snap-in



RoHS compliant

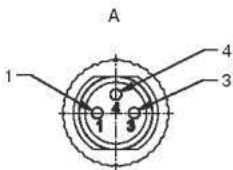
## TECHNICAL DATA

Rated voltage	3-pos	4-pos
	60V	30V
Current rating	3A at +40°C	
Pollution degree	3 / 2	
Insulation resistance	≥ 100 MΩ	
Degree of protection	IP67 in mated condition	
Temperature range	-30°C to +80°C	
Mating cycles	≥ 100	

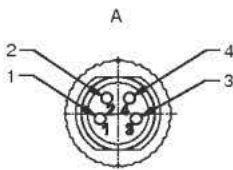
## PRODUCT DRAWING

### Pin Configuration

3-pos



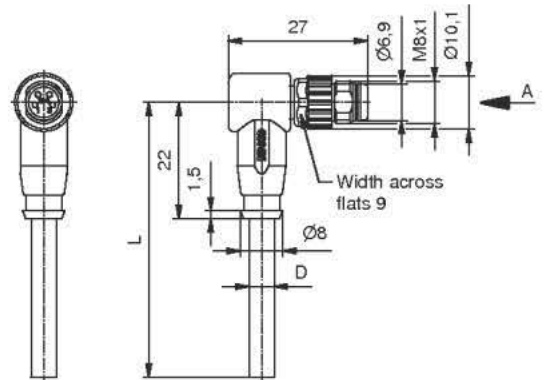
4-pos



### Contact Assignment

1	brown
2	white
3	blue
4	black

### Dimension



## ORDER DATA

Cable	Length/L	Description	3-pos Part-no.	Description	4-pos Part-no.
PVC grey LiYY 0,25 mm <sup>2</sup>	2m	SAL-8-RSWU3-2/A1	42-10088	SAL-8-RSWU4-2/A1	42-10120
	3m	SAL-8-RSWU3-3/A1	42-10089	SAL-8-RSWU4-3/A1	42-10121
	5m	SAL-8-RSWU3-5/A1	42-10090	SAL-8-RSWU4-5/A1	42-10122
	10m	SAL-8-RSWU3-10/A1	42-10091	SAL-8-RSWU4-10/A1	42-10123
TPU UL, halogenfree black Li9Y11Y 0,25 mm <sup>2</sup>	2m	SAL-8-RSWU3-2/K1	42-10092	SAL-8-RSWU4-2/K1	42-10124
	3m	SAL-8-RSWU3-3/K1	42-10093	SAL-8-RSWU4-3/K1	42-10125
	5m	SAL-8-RSWU3-5/K1	42-10094	SAL-8-RSWU4-5/K1	42-10126
	10m	SAL-8-RSWU3-10/K1	42-10095	SAL-8-RSWU4-10/K1	42-10127

For custom length or quality levels contact factory

# SAL M8x1 CONNECTORS

Female connector, angled with 2-Indicators LED-display



RoHS compliant

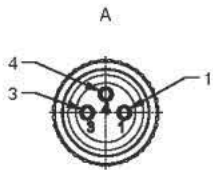
## TECHNICAL DATA

Rated voltage	3-pos 30V
Current rating	3A at +40°C
Pollution degree	3 / 2
Insulation resistance	>= 100 MΩ
Degree of protection	IP67 in mated condition
Temperature range	-30°C to +80°C
Mating cycles	>= 100

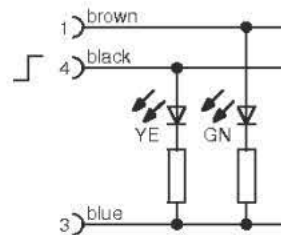
## PRODUCT DRAWING

### Pin Configuration

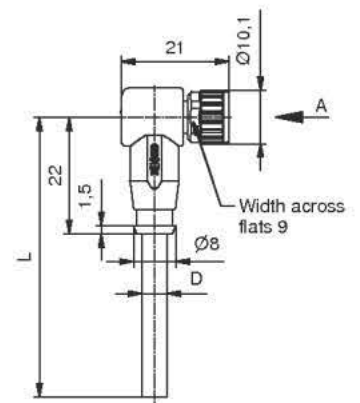
3-pos



### Contact Assignment



### Dimension



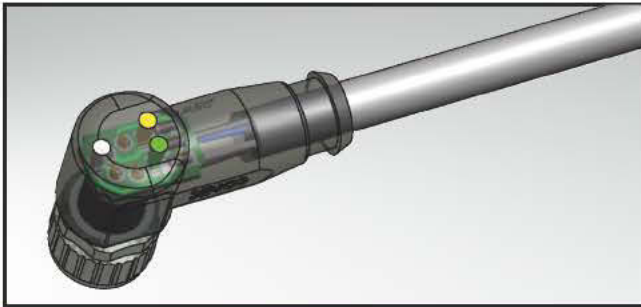
## ORDER DATA

Cable	Length / L	Description	3-pos Part-no.
PVC grey LiYY 0,25 mm <sup>2</sup>	2m	SAL-8-RKW3-2L-2 / A1	42-10452
	3m	SAL-8-RKW3-2L-3 / A1	42-10453
	5m	SAL-8-RKW3-2L-5 / A1	42-10454
	10m	SAL-8-RKW3-2L-10 / A1	42-10455
TPU UL, halogenfree black Li9Y11Y 0,25 mm <sup>2</sup>	2m	SAL-8-RKW3-2L-2 / K1	42-10456
	3m	SAL-8-RKW3-2L-3 / K1	42-10457
	5m	SAL-8-RKW3-2L-5 / K1	42-10458
	10m	SAL-8-RKW3-2L-10 / K1	42-10459

For custom length or quality levels contact factory

# SAL M8x1 CONNECTORS

Female connector, angled with 3-Indicators LED-display



RoHS compliant

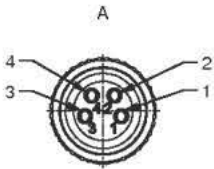
## TECHNICAL DATA

Rated voltage	4-pos 30V
Current rating	3A at +40°C
Pollution degree	3 / 2
Insulation resistance	>= 100 MΩ
Degree of protection	IP67 in mated condition
Temperature range	-30°C to +80°C
Mating cycles	>=100

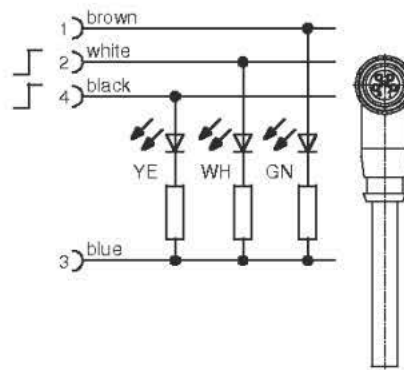
## PRODUCT DRAWING

### Pin Configuration

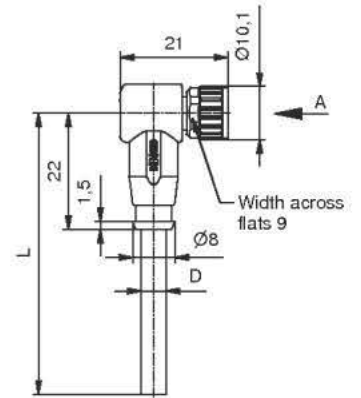
4-pos



### Contact Assignment



### Dimension



## ORDER DATA

Cable	Length / L	Description	4-pos Part-no.
PVC grey LiYY 0,25 mm <sup>2</sup>	2m	SAL-8-RKW4-3L-2 / A1	42-10460
	3m	SAL-8-RKW4-3L-3 / A1	42-10461
	5m	SAL-8-RKW4-3L-5 / A1	42-10462
	10m	SAL-8-RKW4-3L-10 / A1	42-10463
TPU UL, halogenfree black Li9Y11Y 0,25 mm <sup>2</sup>	2m	SAL-8-RKW4-3L-2 / K1	42-10464
	3m	SAL-8-RKW4-3L-3 / K1	42-10465
	5m	SAL-8-RKW4-3L-5 / K1	42-10466
	10m	SAL-8-RKW4-3L-10 / K1	42-10467

For custom length or quality levels contact factory

# SAL M8X1/Ø8MM CONNECTORS

Male connector, axial, screwable/snap-in, thread fixed



RoHS compliant

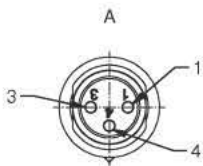
## TECHNICAL DATA

Rated voltage	3-pos	4-pos
	60V	30V
Current rating	3A at +40°C	
Pollution degree	3 / 2	
Insulation resistance	≥ 100 MΩ	
Degree of protection	IP67 in mated condition	
Temperature range	-30°C to +80°C	
Mating cycles	≥ 100	

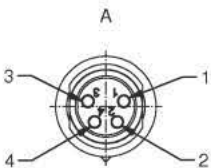
## PRODUCT DRAWING

### Pin Configuration

3-pos



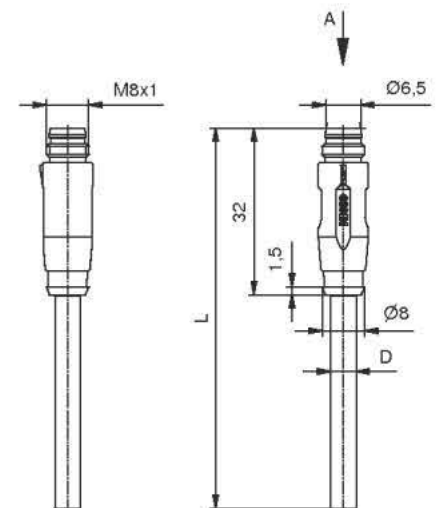
4-pos



### Contact Assignment

1	brown
2	white
3	blue
4	black

### Dimension



## ORDER DATA

Cable	Length/L	Description	3-pos Part-no.	Description	4-pos Part-no.
PVC grey LiYY 0,25 mm <sup>2</sup>	0,5m	SAL-8-RSFU3-0,5/A1	42-11187	SAL-8-RSFU4-0,5/A1	42-11195
	1m	SAL-8-RSFU3-1/A1	42-11188	SAL-8-RSFU4-1/A1	42-11196
	2m	SAL-8-RSFU3-2/A1	42-11189	SAL-8-RSFU4-2/A1	42-11197
	3m	SAL-8-RSFU3-3/A1	42-11190	SAL-8-RSFU4-3/A1	42-11198
TPU UL, halogenfree black Li9Y11Y 0,25 mm <sup>2</sup>	0,5m	SAL-8-RSFU3-0,5/K1	42-11191	SAL-8-RSFU4-0,5/K1	42-11199
	1m	SAL-8-RSFU3-1/K1	42-11192	SAL-8-RSFU4-1/K1	42-11200
	2m	SAL-8-RSFU3-2/K1	42-11193	SAL-8-RSFU4-2/K1	42-11201
	3m	SAL-8-RSFU3-3/K1	42-11194	SAL-8-RSFU4-3/K1	42-11202

For custom length or quality levels contact factory

# SAL M8x1 CONNECTORS

Female connector, axial, screwable, B-coding



RoHS compliant

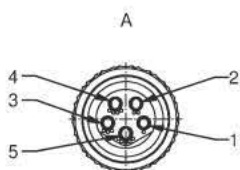
## TECHNICAL DATA

Rated voltage	5-pos 30V
Current rating	3A at +40°C
Pollution degree	3 / 2
Insulation resistance	>= 100 MΩ
Degree of protection	IP67 in mated condition
Temperature range	-30°C to +80°C
Mating cycles	>=100

## PRODUCT DRAWING

### Pin Configuration

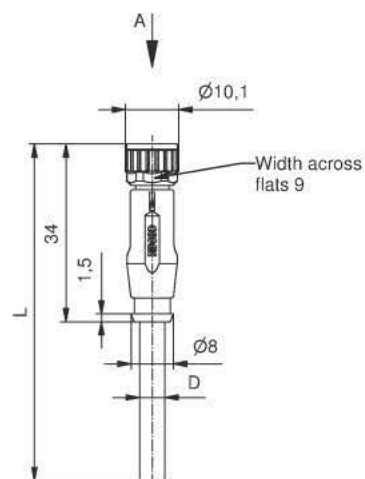
5-pos



### Contact Assignment

1	brown
2	white
3	blue
4	black
5	grey

### Dimension



## ORDER DATA

Cable	Length / L	Description	5-pos Part-no.
PVC grey LiYY 0,25 mm <sup>2</sup>	2m	SAL-8B-RK5.1-2 / A1	42-11104
	3m	SAL-8B-RK5.1-3 / A1	42-11105
	5m	SAL-8B-RK5.1-5 / A1	42-11106
	10m	SAL-8B-RK5.1-10 / A1	42-11107
TPU UL, halogenfree black Li9Y11Y 0,25 mm <sup>2</sup>	2m	SAL-8B-RK5.1-2 / K1	42-11096
	3m	SAL-8B-RK5.1-3 / K1	42-11097
	5m	SAL-8B-RK5.1-5 / K1	42-11098
	10m	SAL-8B-RK5.1-10 / K1	42-11099

For custom length or quality levels contact factory

# SAL M8x1 CONNECTORS

Male connector, angled, screwable, B-coding



RoHS compliant

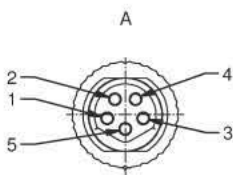
## TECHNICAL DATA

Rated voltage	5-pos 30V
Current rating	3A at +40°C
Pollution degree	3 / 2
Insulation resistance	>= 100 MΩ
Degree of protection	IP67 in mated condition
Temperature range	-30°C to +80°C
Mating cycles	>= 100

## PRODUCT DRAWING

### Pin Configuration

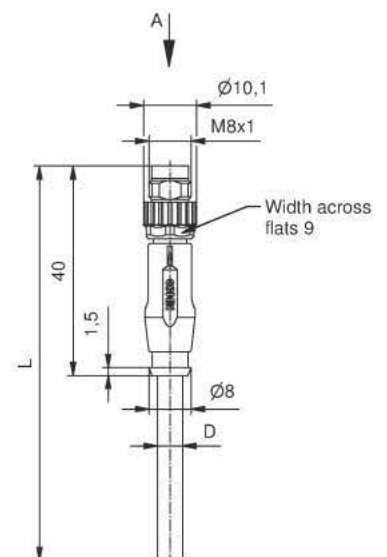
5-pos



### Contact Assignment

1	brown
2	white
3	blue
4	black
5	grey

### Dimension



## ORDER DATA

Cable	Length / L	Description	5-pos Part-no.
PVC grey LiYY 0,25 mm <sup>2</sup>	2m	SAL-8B-RS5.1-2 / A1	42-11120
	3m	SAL-8B-RS5.1-3 / A1	42-11121
	5m	SAL-8B-RS5.1-5 / A1	42-11122
	10m	SAL-8B-RS5.1-10 / A1	42-11123
TPU UL, halogenfree black Li9Y11Y 0,25 mm <sup>2</sup>	2m	SAL-8B-RS5.1-2 / K1	42-11112
	3m	SAL-8B-RS5.1-3 / K1	42-11113
	5m	SAL-8B-RS5.1-5 / K1	42-11114
	10m	SAL-8B-RS5.1-10 / K1	42-11115

For custom length or quality levels contact factory

# SAL Ø8MM CONNECTORS

Female connector, axial, snap-in, B-coding



RoHS compliant

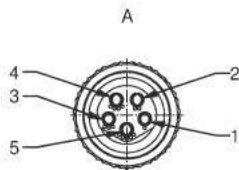
## TECHNICAL DATA

Rated voltage	5-pos 30V
Current rating	3A at +40°C
Pollution degree	3 / 2
Insulation resistance	>= 100 MΩ
Degree of protection	IP67 in mated condition
Temperature range	-30°C to +80°C
Mating cycles	>=100

## PRODUCT DRAWING

### Pin Configuration

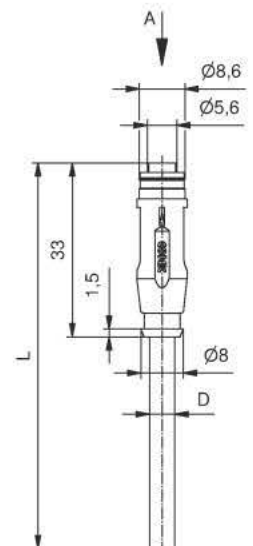
5-pos



### Contact Assignment

1)	brown
2)	white
3)	blue
4)	black
5)	grey

### Dimension



## ORDER DATA

Cable	Length / L	Description	5-pos Part-no.
PVC grey LiYY 0,25 mm <sup>2</sup>	2m	SAL-8B-RKS5.1-2/A1	42-11108
	3m	SAL-8B-RKS5.1-3/A1	42-11109
	5m	SAL-8B-RKS5.1-5/A1	42-11110
	10m	SAL-8B-RKS5.1-10/A1	42-11111
TPU UL, halogenfree black Li9Y11Y 0,25 mm <sup>2</sup>	2m	SAL-8B-RKS5.1-2/K1	42-11100
	3m	SAL-8B-RKS5.1-3/K1	42-11101
	5m	SAL-8B-RKS5.1-5/K1	42-11102
	10m	SAL-8B-RKS5.1-10/K1	42-11103

For custom length or quality levels contact factory

# SAL Ø8MM CONNECTORS

Male connector, axial, snap-in, B-coding



RoHS compliant

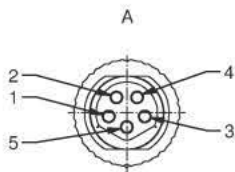
## TECHNICAL DATA

Rated voltage	5-pos 30V
Current rating	3A at +40°C
Pollution degree	3 / 2
Insulation resistance	>= 100 MΩ
Degree of protection	IP67 in mated condition
Temperature range	-30°C to +80°C
Mating cycles	>= 100

## PRODUCT DRAWING

### Pin Configuration

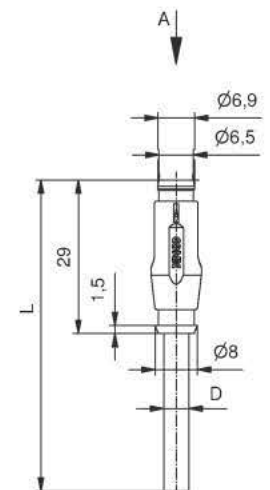
5-pos



### Contact Assignment

1	brown
2	white
3	blue
4	black
5	grey

### Dimension



## ORDER DATA

Cable	Length / L	Description	5-pos Part-no.
PVC grey LiYY 0,25 mm <sup>2</sup>	2m	SAL-8B-RSS5.1-2 / A1	42-11124
	3m	SAL-8B-RSS5.1-3 / A1	42-11125
	5m	SAL-8B-RSS5.1-5 / A1	42-11126
	10m	SAL-8B-RSS5.1-10 / A1	42-11127
TPU UL, halogenfree black Li9Y11Y 0,25 mm <sup>2</sup>	2m	SAL-8B-RSS5.1-2 / K1	42-11116
	3m	SAL-8B-RSS5.1-3 / K1	42-11117
	5m	SAL-8B-RSS5.1-5 / K1	42-11118
	10m	SAL-8B-RSS5.1-10 / K1	42-11119

For custom length or quality levels contact factory

# SAL M8x1 CONNECTORS

Female connector, axial, screwable, with 360°-shielding



RoHS compliant

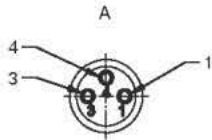
## TECHNICAL DATA

Rated voltage	3-pos	4-pos
	60V	30V
Current rating	3A at +40°C	
Pollution degree	3 / 2	
Insulation resistance	≥ 100 MΩ	
Degree of protection	IP67 in mated condition	
Temperature range	-30°C to +80°C	
Mating cycles	≥ 100	

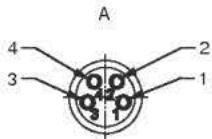
## PRODUCT DRAWING

### Pin Configuration

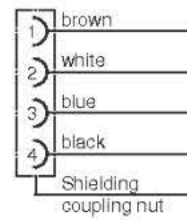
3-pos



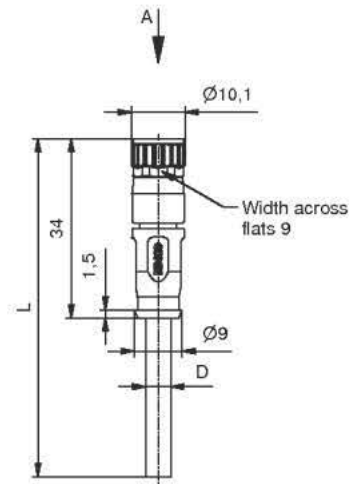
4-pos



### Contact Assignment



### Dimension



## ORDER DATA

Cable	Length/L	Description	3-pos Part-no.	Description	4-pos Part-no.
PVC UL grey LiYFCY 0,25 mm <sup>2</sup>	2m	SAL-8S-RK3-2/G3	42-10843	SAL-8S-RK4-2/G3	42-10851
	3m	SAL-8S-RK3-3/G3	42-10844	SAL-8S-RK4-3/G3	42-10852
	5m	SAL-8S-RK3-5/G3	42-10845	SAL-8S-RK4-5/G3	42-10853
	10m	SAL-8S-RK3-10/G3	42-10846	SAL-8S-RK4-10/G3	42-10854
TPU UL halogenfree black Li9YFC11Y 0,25 mm <sup>2</sup>	2m	SAL-8S-RK3-2/G2	42-10847	SAL-8S-RK4-2/G2	42-10855
	3m	SAL-8S-RK3-3/G2	42-10848	SAL-8S-RK4-3/G2	42-10856
	5m	SAL-8S-RK3-5/G2	42-10849	SAL-8S-RK4-5/G2	42-10857
	10m	SAL-8S-RK3-10/G2	42-10850	SAL-8S-RK4-10/G2	42-10858

For custom length or quality levels contact factory

# SAL M8x1 CONNECTORS

Male connector, axial, screwable, with 360°-shielding



RoHS compliant

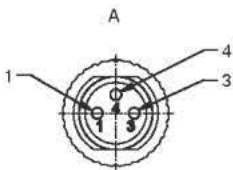
## TECHNICAL DATA

Rated voltage	3-pos	4-pos
	60V	30V
Current rating	3A at +40°C	
Pollution degree	3 / 2	
Insulation resistance	≥ 100 MΩ	
Degree of protection	IP67 in mated condition	
Temperature range	-30°C to +80°C	
Mating cycles	≥ 100	

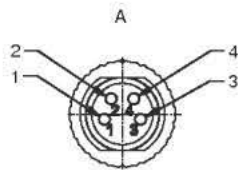
## PRODUCT DRAWING

### Pin Configuration

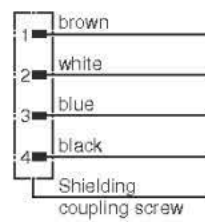
3-pos



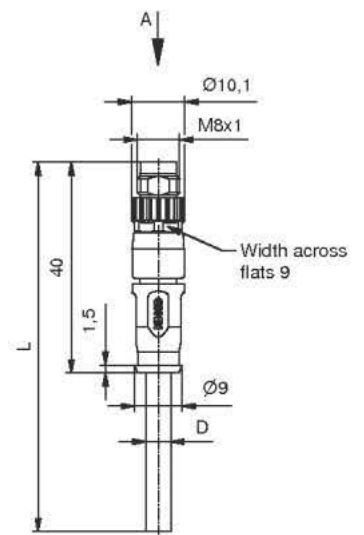
4-pos



### Contact Assignment



### Dimension



## ORDER DATA

Cable	Length/L	Description	3-pos Part-no.	Description	4-pos Part-no.
PVC UL grey LiYFCY 0,25 mm <sup>2</sup>	2m	SAL-BS-RS3-2/ G3	42-10859	SAL-BS-RS4-2/ G3	42-10867
	3m	SAL-BS-RS3-3/ G3	42-10860	SAL-BS-RS4-3/ G3	42-10868
	5m	SAL-BS-RS3-5/ G3	42-10861	SAL-BS-RS4-5/ G3	42-10869
	10m	SAL-BS-RS3-10/ G3	42-10862	SAL-BS-RS4-10/ G3	42-10870
TPU UL halogenfree black Li9YFC11Y 0,25 mm <sup>2</sup>	2m	SAL-BS-RS3-2/ G2	42-10863	SAL-BS-RS4-2/ G2	42-10871
	3m	SAL-BS-RS3-3/ G2	42-10864	SAL-BS-RS4-3/ G2	42-10872
	5m	SAL-BS-RS3-5/ G2	42-10865	SAL-BS-RS4-5/ G2	42-10873
	10m	SAL-BS-RS3-10/ G2	42-10866	SAL-BS-RS4-10/ G2	42-10874

For custom length or quality levels contact factory

# SAL M8x1 CONNECTORS

Connecting cable Female connector M8x1, axial, screwable –  
Male connector M8x1, axial, screwable



RoHS compliant

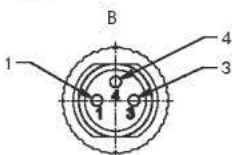
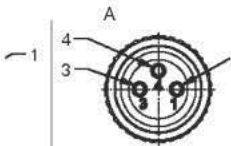
## TECHNICAL DATA

Rated voltage	3-pos	4-pos
	60V	30V
Current rating	3A at +40°C	
Pollution degree	3 / 2	
Insulation resistance	≥ 100 MΩ	
Degree of protection	IP67 in mated condition	
Temperature range	-30°C to +80°C	
Mating cycles	≥ 100	

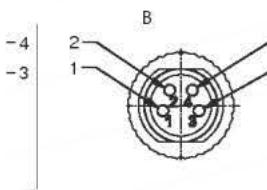
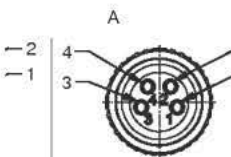
## PRODUCT DRAWING

### Pin Configuration

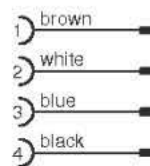
3-pos



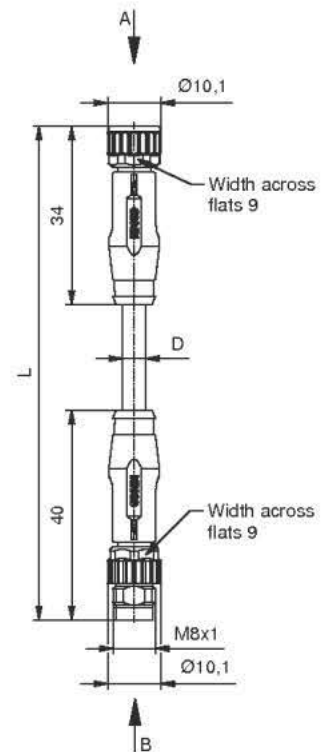
4-pos



### Contact Assignment



### Dimension



## ORDER DATA

Cable	Length/L	Description	3-pos Part-no.	Description	4-pos Part-no.
PVC grey LiYY 0,25 mm <sup>2</sup>	0,3m	SAL-8-RK3-RS3-0,3/A1	42-10141	SAL-8-RK4-RS4-0,3/A1	42-10157
	0,6m	SAL-8-RK3-RS3-0,6/A1	42-10142	SAL-8-RK4-RS4-0,6/A1	42-10158
	1,5m	SAL-8-RK3-RS3-1,5/A1	42-10143	SAL-8-RK4-RS4-1,5/A1	42-10159
	3m	SAL-8-RK3-RS3-3/A1	42-10144	SAL-8-RK4-RS4-3/A1	42-10160
TPU UL, halogenfree black Li9Y11Y 0,25 mm <sup>2</sup>	0,3m	SAL-8-RK3-RS3-0,3/K1	42-10145	SAL-8-RK4-RS4-0,3/K1	42-10161
	0,6m	SAL-8-RK3-RS3-0,6/K1	42-10146	SAL-8-RK4-RS4-0,6/K1	42-10162
	1,5m	SAL-8-RK3-RS3-1,5/K1	42-10147	SAL-8-RK4-RS4-1,5/K1	42-10163
	3m	SAL-8-RK3-RS3-3/K1	42-10148	SAL-8-RK4-RS4-3/K1	42-10164

For custom length or quality levels contact factory

# SAL M8x1 CONNECTORS

Connecting cable Female connector M8x1, angled, screwable –  
Male connector M8x1, axial, screwable



RoHS compliant

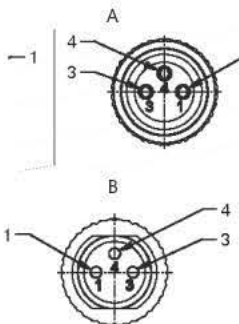
## TECHNICAL DATA

Rated voltage	3-pos	4-pos
	60V	30V
Current rating	3A at +40°C	
Pollution degree	3 / 2	
Insulation resistance	≥ 100 MΩ	
Degree of protection	IP67 in mated condition	
Temperature range	-30°C to +80°C	
Mating cycles	≥ 100	

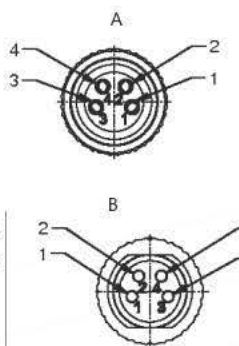
## PRODUCT DRAWING

### Pin Configuration

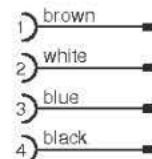
3-pos



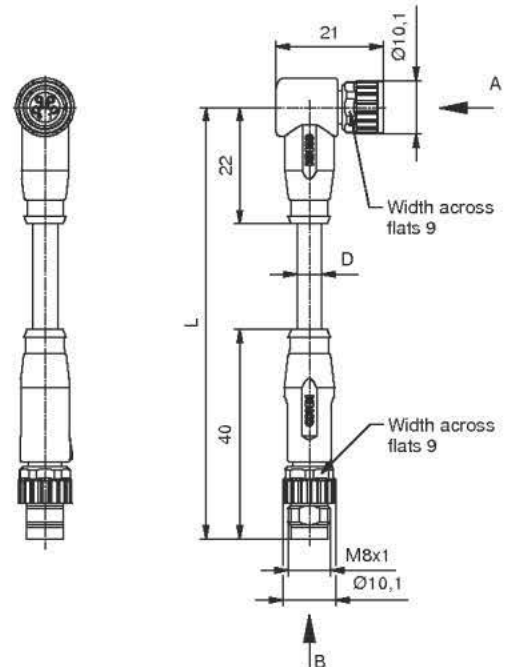
4-pos



### Contact Assignment



### Dimension



## ORDER DATA

Cable	Length/L	Description	3-pos Part-no.	Description	4-pos Part-no.
PVC grey LiYY 0,25 mm <sup>2</sup>	0,3m	SAL-8-RKW3-RS3-0,3/A1	42-10149	SAL-8-RKW4-RS4-0,3/A1	42-10165
	0,6m	SAL-8-RKW3-RS3-0,6/A1	42-10150	SAL-8-RKW4-RS4-0,6/A1	42-10166
	1,5m	SAL-8-RKW3-RS3-1,5/A1	42-10151	SAL-8-RKW4-RS4-1,5/A1	42-10167
	3m	SAL-8-RKW3-RS3-3/A1	42-10152	SAL-8-RKW4-RS4-3/A1	42-10168
TPU UL, halogenfree black Li9Y11Y 0,25 mm <sup>2</sup>	0,3m	SAL-8-RKW3-RS3-0,3/K1	42-10153	SAL-8-RKW4-RS4-0,3/K1	42-10169
	0,6m	SAL-8-RKW3-RS3-0,6/K1	42-10154	SAL-8-RKW4-RS4-0,6/K1	42-10170
	1,5m	SAL-8-RKW3-RS3-1,5/K1	42-10155	SAL-8-RKW4-RS4-1,5/K1	42-10171
	3m	SAL-8-RKW3-RS3-3/K1	42-10156	SAL-8-RKW4-RS4-3/K1	42-10172

For custom length or quality levels contact factory

# SAL M8x1 CONNECTORS

Connecting cable Female connector M8x1, axial, screwable –  
Male connector M8x1, axial, screwable



RoHS compliant

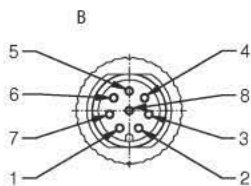
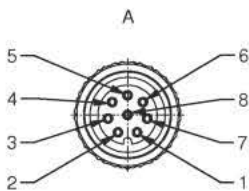
## TECHNICAL DATA

Rated voltage	8-pos 30V
Current rating	1,5A at +40°C
Pollution degree	3 / 2
Insulation resistance	>= 100 MΩ
Degree of protection	IP67 in mated condition
Temperature range	-30°C to +80°C
Mating cycles	>=100

## PRODUCT DRAWING

### Pin Configuration

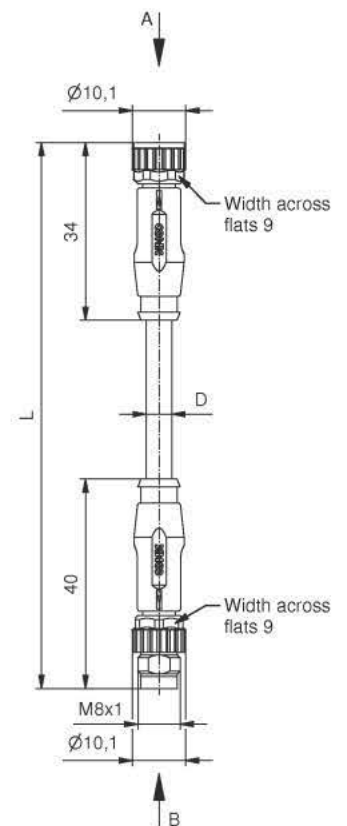
8-pos



### Contact Assignment

1) white	5) grey
2) brown	6) pink
3) green	7) blue
4) yellow	8) red

### Dimension



## ORDER DATA

Cable	Length / L	Description	8-pos Part-no.
PVC grey LiYY 0,14 mm <sup>2</sup>	0,3m	SAL-8-RK8-RS8-0,3/A1	42-11234
	0,6m	SAL-8-RK8-RS8-0,6/A1	42-11235
	1,5m	SAL-8-RK8-RS8-1,5/A1	42-11236
	3m	SAL-8-RK8-RS8-3/A1	42-11237
TPU UL, halogenfree black Li9Y11Y 0,14 mm <sup>2</sup>	0,3m	SAL-8-RK8-RS8-0,3/K1	42-11183
	0,6m	SAL-8-RK8-RS8-0,6/K1	42-11184
	1,5m	SAL-8-RK8-RS8-1,5/K1	42-11185
	3m	SAL-8-RK8-RS8-3/K1	42-11186

For custom length or quality levels contact factory

# SAL M8x1/Ø8MM CONNECTORS

Connecting cable Female connector Ø8mm, axial, snap-in –  
Male connector M8x1/Ø8mm, axial, screwable/snap-in



RoHS compliant

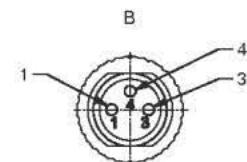
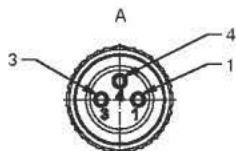
## TECHNICAL DATA

Rated voltage	3-pos	4-pos
	60V	30V
Current rating	3A at +40°C	
Pollution degree	3 / 2	
Insulation resistance	≥ 100 MΩ	
Degree of protection	IP67 in mated condition	
Temperature range	-30°C to +80°C	
Mating cycles	≥ 100	

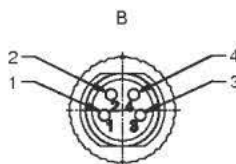
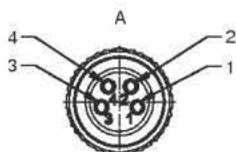
## PRODUCT DRAWING

### Pin Configuration

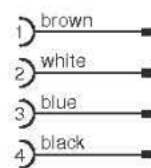
3-pos



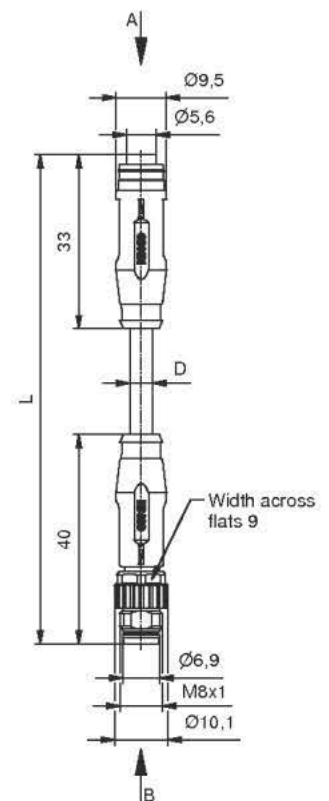
4-pos



### Contact Assignment



### Dimension



## ORDER DATA

Cable	Length/L	Description	3-pos Part-no.	Description	4-pos Part-no.
PVC grey LiYY 0,25 mm <sup>2</sup>	0,3m	SAL-8-RKS3-RSU3-0,3/A1	42-10173	SAL-8-RKS4-RSU4-0,3/A1	42-10189
	0,6m	SAL-8-RKS3-RSU3-0,6/A1	42-10174	SAL-8-RKS4-RSU4-0,6/A1	42-10190
	1,5m	SAL-8-RKS3-RSU3-1,5/A1	42-10175	SAL-8-RKS4-RSU4-1,5/A1	42-10191
	3m	SAL-8-RKS3-RSU3-3/A1	42-10176	SAL-8-RKS4-RSU4-3/A1	42-10192
TPU UL, halogenfree black Li9Y11Y 0,25 mm <sup>2</sup>	0,3m	SAL-8-RKS3-RSU3-0,3/K1	42-10177	SAL-8-RKS4-RSU4-0,3/K1	42-10193
	0,6m	SAL-8-RKS3-RSU3-0,6/K1	42-10178	SAL-8-RKS4-RSU4-0,6/K1	42-10194
	1,5m	SAL-8-RKS3-RSU3-1,5/K1	42-10179	SAL-8-RKS4-RSU4-1,5/K1	42-10195
	3m	SAL-8-RKS3-RSU3-3/K1	42-10180	SAL-8-RKS4-RSU4-3/K1	42-10196

For custom length or quality levels contact factory

# SAL M8x1/Ø8MM CONNECTORS

Connecting cable Female connector Ø8mm, angled, snap-in –  
Male connector M8x1/Ø8mm, axial, screwable/snap-in



RoHS compliant

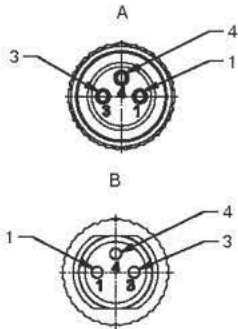
## TECHNICAL DATA

Rated voltage	3-pos	4-pos
	60V	30V
Current rating	3A at +40°C	
Pollution degree	3 / 2	
Insulation resistance	≥ 100 MΩ	
Degree of protection	IP67 in mated condition	
Temperature range	-30°C to +80°C	
Mating cycles	≥ 100	

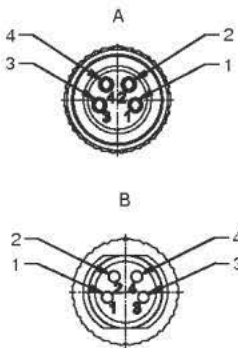
## PRODUCT DRAWING

### Pin Configuration

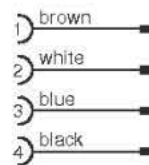
3-pos



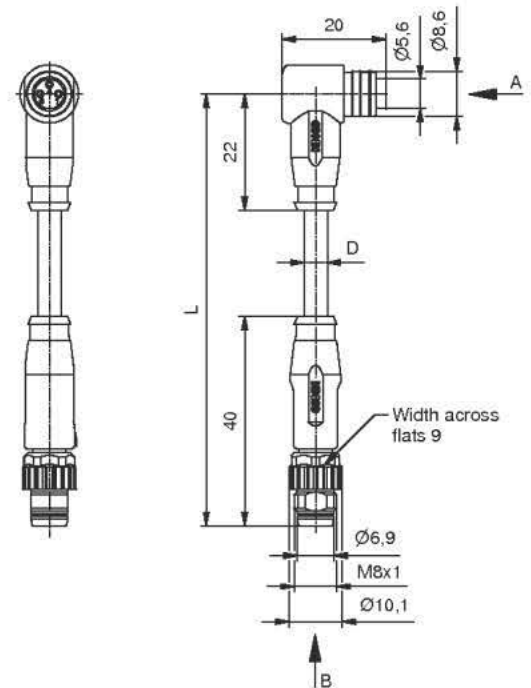
4-pos



### Contact Assignment



### Dimension



## ORDER DATA

Cable	Length/L	Description	3-pos Part-no.	Description	4-pos Part-no.
PVC grey LiYY 0,25 mm <sup>2</sup>	0,3m	SAL-8-RKWS3-RSU3-0,3/A1	42-10181	SAL-8-RKWS4-RSU4-0,3/A1	42-10197
	0,6m	SAL-8-RKWS3-RSU3-0,6/A1	42-10182	SAL-8-RKWS4-RSU4-0,6/A1	42-10198
	1,5m	SAL-8-RKWS3-RSU3-1,5/A1	42-10183	SAL-8-RKWS4-RSU4-1,5/A1	42-10199
	3m	SAL-8-RKWS3-RSU3-3/A1	42-10184	SAL-8-RKWS4-RSU4-3/A1	42-10200
TPU UL, halogenfree black Li9Y11Y 0,25 mm <sup>2</sup>	0,3m	SAL-8-RKWS3-RSU3-0,3/K1	42-10185	SAL-8-RKWS4-RSU4-0,3/K1	42-10201
	0,6m	SAL-8-RKWS3-RSU3-0,6/K1	42-10186	SAL-8-RKWS4-RSU4-0,6/K1	42-10202
	1,5m	SAL-8-RKWS3-RSU3-1,5/K1	42-10187	SAL-8-RKWS4-RSU4-1,5/K1	42-10203
	3m	SAL-8-RKWS3-RSU3-3/K1	42-10188	SAL-8-RKWS4-RSU4-3/K1	42-10204

For custom length or quality levels contact factory

# SAL M8x1/Ø8MM CONNECTORS

Connecting cable Female connector M8x1, axial, screwable –  
Male connector Ø8mm, axial, snap-in



RoHS compliant

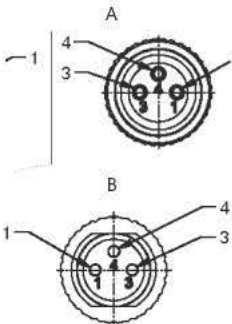
## TECHNICAL DATA

Rated voltage	3-pos	4-pos
	60V	30V
Current rating	3A at +40°C	
Pollution degree	3 / 2	
Insulation resistance	≥ 100 MΩ	
Degree of protection	IP67 in mated condition	
Temperature range	-30°C to +80°C	
Mating cycles	≥ 100	

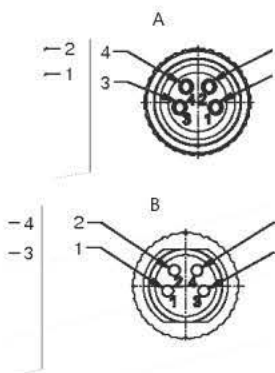
## PRODUCT DRAWING

### Pin Configuration

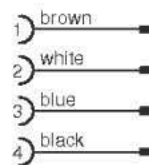
3-pos



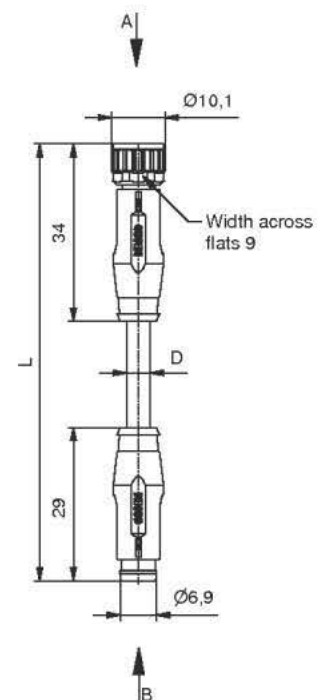
4-pos



### Contact Assignment



### Dimension



## ORDER DATA

Cable	Length/L	Description	3-pos Part-no.	Description	4-pos Part-no.
PVC grey LiYY 0,25 mm <sup>2</sup>	0,3m	SAL-8-RK3-RSS3-0,3/A1	42-10827	SAL-8-RK4-RSS4-0,3/A1	42-10835
	0,6m	SAL-8-RK3-RSS3-0,6/A1	42-10828	SAL-8-RK4-RSS4-0,6/A1	42-10836
	1,5m	SAL-8-RK3-RSS3-1,5/A1	42-10829	SAL-8-RK4-RSS4-1,5/A1	42-10837
	3m	SAL-8-RK3-RSS3-3/A1	42-10830	SAL-8-RK4-RSS4-3/A1	42-10838
TPU UL, halogenfree black Li9Y11Y 0,25 mm <sup>2</sup>	0,3m	SAL-8-RK3-RSS3-0,3/K1	42-10831	SAL-8-RK4-RSS4-0,3/K1	42-10839
	0,6m	SAL-8-RK3-RSS3-0,6/K1	42-10832	SAL-8-RK4-RSS4-0,6/K1	42-10840
	1,5m	SAL-8-RK3-RSS3-1,5/K1	42-10833	SAL-8-RK4-RSS4-1,5/K1	42-10841
	3m	SAL-8-RK3-RSS3-3/K1	42-10834	SAL-8-RK4-RSS4-3/K1	42-10842

For custom length or quality levels contact factory

# SAL Ø8MM CONNECTORS

Connecting cable Female connector Ø8mm, axial, snap-in –  
Male connector Ø8mm, axial, snap-in



RoHS compliant

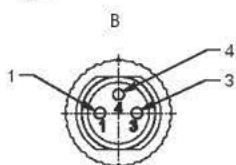
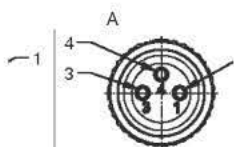
## TECHNICAL DATA

Rated voltage	3-pos	4-pos
	60V	30V
Current rating	3A at +40°C	
Pollution degree	3 / 2	
Insulation resistance	≥ 100 MΩ	
Degree of protection	IP67 in mated condition	
Temperature range	-30°C to +80°C	
Mating cycles	≥ 100	

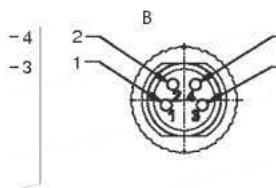
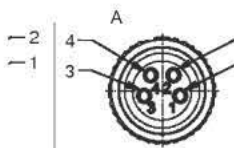
## PRODUCT DRAWING

### Pin Configuration

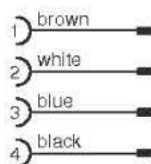
3-pos



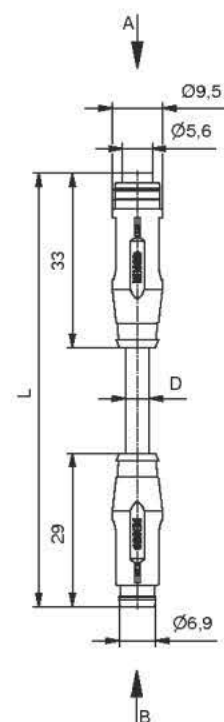
4-pos



### Contact Assignment



### Dimension



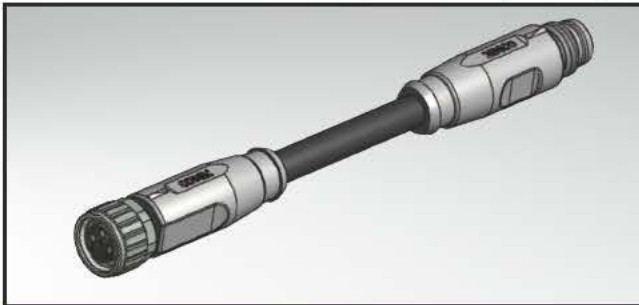
## ORDER DATA

Cable	Length/L	Description	3-pos Part-no.	Description	4-pos Part-no.
PVC grey LiYY 0,25 mm <sup>2</sup>	0,3m	SAL-8-RKS3-RSS3-0,3/A1	42-10811	SAL-8-RKS4-RSS4-0,3/A1	42-10819
	0,6m	SAL-8-RKS3-RSS3-0,6/A1	42-10812	SAL-8-RKS4-RSS4-0,6/A1	42-10820
	1,5m	SAL-8-RKS3-RSS3-1,5/A1	42-10813	SAL-8-RKS4-RSS4-1,5/A1	42-10821
	3m	SAL-8-RKS3-RSS3-3/A1	42-10814	SAL-8-RKS4-RSS4-3/A1	42-10822
TPU UL, halogenfree black Li9Y11Y 0,25 mm <sup>2</sup>	0,3m	SAL-8-RKS3-RSS3-0,3/K1	42-10815	SAL-8-RKS4-RSS4-0,3/K1	42-10823
	0,6m	SAL-8-RKS3-RSS3-0,6/K1	42-10816	SAL-8-RKS4-RSS4-0,6/K1	42-10824
	1,5m	SAL-8-RKS3-RSS3-1,5/K1	42-10817	SAL-8-RKS4-RSS4-1,5/K1	42-10825
	3m	SAL-8-RKS3-RSS3-3/K1	42-10818	SAL-8-RKS4-RSS4-3/K1	42-10826

For custom length or quality levels contact factory

# SAL M8x1 CONNECTORS

Connecting cable Female connector M8x1, axial, screwable –  
Male connector M8x1/Ø8mm, axial, screwable/snap-in, thread fixed



RoHS compliant

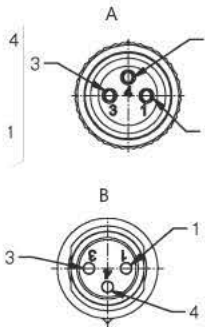
## TECHNICAL DATA

Rated voltage	3-pos 60V
Current rating	3A at +40°C
Pollution degree	3 / 2
Insulation resistance	>= 100 MΩ
Degree of protection	IP67 in mated condition
Temperature range	-30°C to +80°C
Mating cycles	>= 100

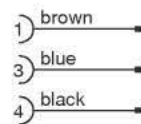
## PRODUCT DRAWING

### Pin Configuration

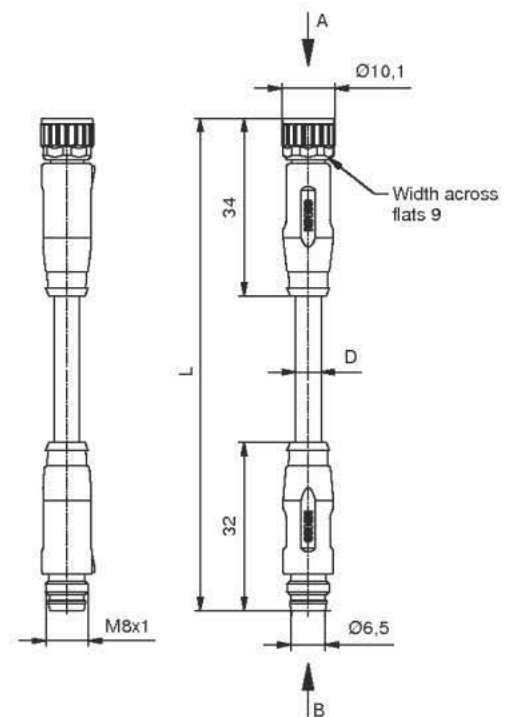
3-pos



### Contact Assignment



### Dimension



## ORDER DATA

Cable	Length / L	Description	3-pos Part-no.
PVC grey LiYY 0,25 mm <sup>2</sup>	0,3m	SAL-8-RK3-RSFU3-0,3 / A1	42-11203
	0,6m	SAL-8-RK3-RSFU3-0,6 / A1	42-11204
	1,5m	SAL-8-RK3-RSFU3-1,5 / A1	42-11205
	3m	SAL-8-RK3-RSFU3-3 / A1	42-11206
TPU UL, halogenfree black Li9Y11Y 0,25 mm <sup>2</sup>	0,3m	SAL-8-RK3-RSFU3-0,3 / K1	42-11207
	0,6m	SAL-8-RK3-RSFU3-0,6 / K1	42-11208
	1,5m	SAL-8-RK3-RSFU3-1,5 / K1	42-11209
	3m	SAL-8-RK3-RSFU3-3 / K1	42-11210

For custom length or quality levels contact factory

# SAL M8x1 CONNECTORS

Connecting cable Female connector M8x1, axial, screwable –  
Male connector M8x1, axial, screwable, B-coding



RoHS compliant

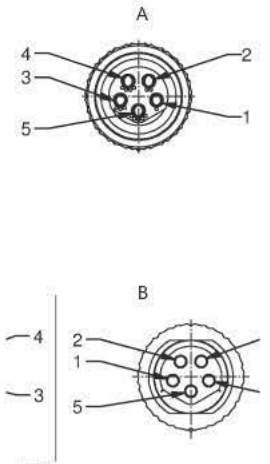
## TECHNICAL DATA

Rated voltage	5-pos 30V
Current rating	3A at +40°C
Pollution degree	3 / 2
Insulation resistance	>= 100 MΩ
Degree of protection	IP67 in mated condition
Temperature range	-30°C to +80°C
Mating cycles	>=100

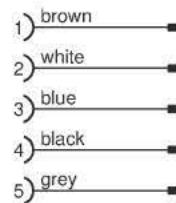
## PRODUCT DRAWING

### Pin Configuration

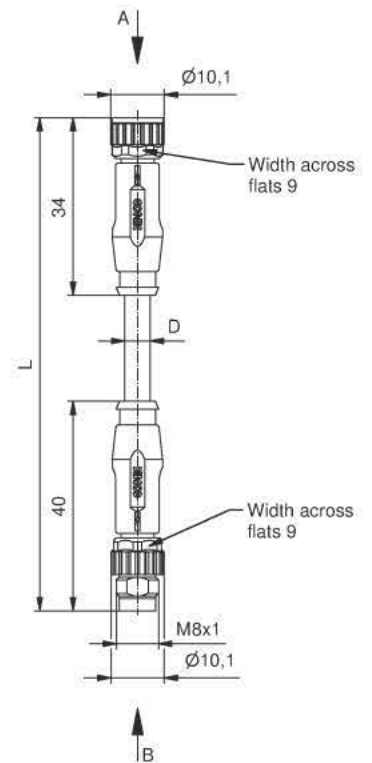
5-pos



### Contact Assignment



### Dimension



## ORDER DATA

Cable	Length / L	Description	5-pos Part-no.
PVC grey LiYY 0,25 mm <sup>2</sup>	0,3m	SAL-8B-RK5.1-RS5.1-0,3 / A1	42-11141
	0,6m	SAL-8B-RK5.1-RS5.1-0,6 / A1	42-11142
	1,5m	SAL-8B-RK5.1-RS5.1-1,5 / A1	42-11143
	3m	SAL-8B-RK5.1-RS5.1-3 / A1	42-11144
TPU UL, halogenfree black Li9Y11Y 0,25 mm <sup>2</sup>	0,3m	SAL-8B-RK5.1-RS5.1-0,3 / K1	42-11128
	0,6m	SAL-8B-RK5.1-RS5.1-0,6 / K1	42-11129
	1,5m	SAL-8B-RK5.1-RS5.1-1,5 / K1	42-11130
	3m	SAL-8B-RK5.1-RS5.1-3 / K1	42-11131

For custom length or quality levels contact factory

## SAL Ø8MM CONNECTORS

Connecting cable Female connector Ø8mm, axial, snap-in –  
Male connector Ø8mm, axial, snap-in, B-coding



RoHS compliant

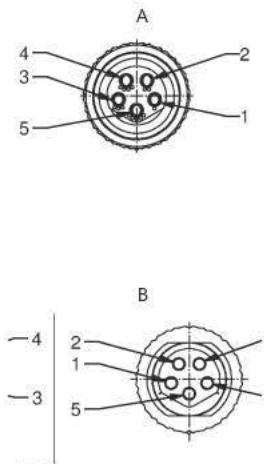
### TECHNICAL DATA

Rated voltage	5-pos 30V
Current rating	3A at +40°C
Pollution degree	3 / 2
Insulation resistance	>= 100 MΩ
Degree of protection	IP67 in mated condition
Temperature range	-30°C to +80°C
Mating cycles	>= 100

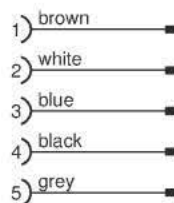
### PRODUCT DRAWING

#### Pin Configuration

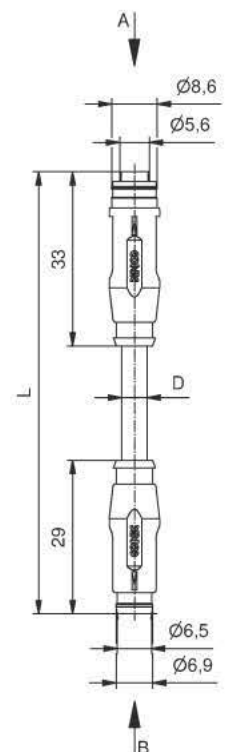
5-pos



#### Contact Assignment



#### Dimension



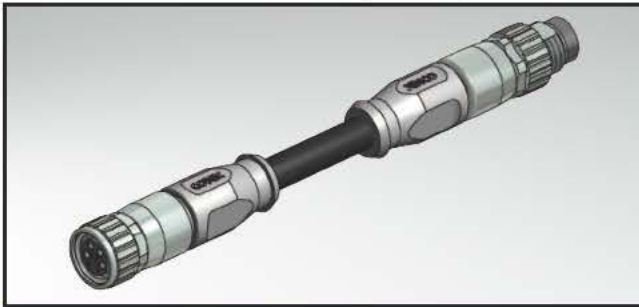
### ORDER DATA

Cable	Length / L	Description	5-pos Part-no.
PVC grey LiYY 0,25 mm <sup>2</sup>	0,3m	SAL-8B-RKS5.1-RSS5.1-0,3 / A1	42-11136
	0,6m	SAL-8B-RKS5.1-RSS5.1-0,6 / A1	42-11137
	1,5m	SAL-8B-RKS5.1-RSS5.1-1,5 / A1	42-11138
	3m	SAL-8B-RKS5.1-RSS5.1-3 / A1	42-11139
TPU UL, halogenfree black Li9Y11Y 0,25 mm <sup>2</sup>	0,3m	SAL-8B-RKS5.1-RSS5.1-0,3 / K1	42-11132
	0,6m	SAL-8B-RKS5.1-RSS5.1-0,6 / K1	42-11133
	1,5m	SAL-8B-RKS5.1-RSS5.1-1,5 / K1	42-11134
	3m	SAL-8B-RKS5.1-RSS5.1-3 / K1	42-11135

For custom length or quality levels contact factory

# SAL M8x1 CONNECTORS

Connecting cable Female connector M8x1, axial, screwable –  
Male connector M8x1, axial, screwable, with 360°-shielding



RoHS compliant

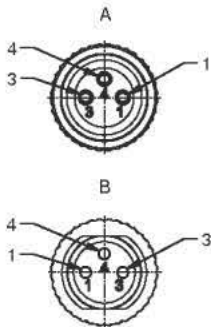
## TECHNICAL DATA

Rated voltage	3-pos	4-pos
	60V	30V
Current rating	3A at +40°C	
Pollution degree	3 / 2	
Insulation resistance	≥ 100 MΩ	
Degree of protection	IP67 in mated condition	
Temperature range	-30°C to +80°C	
Mating cycles	≥ 100	

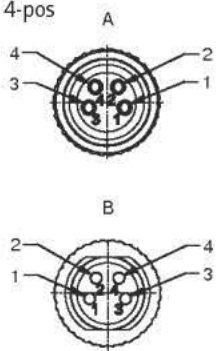
## PRODUCT DRAWING

### Pin Configuration

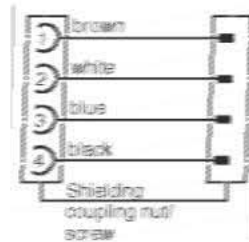
3-pos



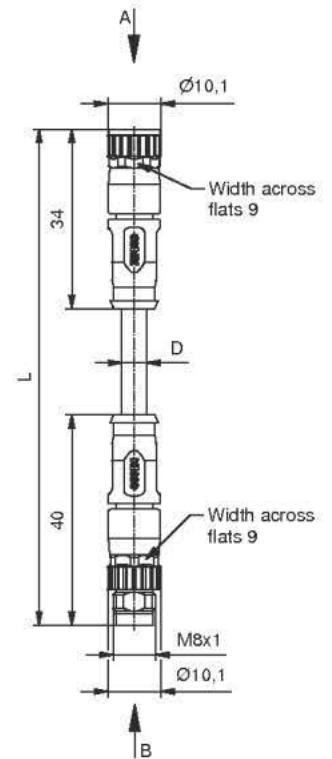
4-pos



### Contact Assignment



### Dimension



## ORDER DATA

Cable	Length/L	Description	3-pos Part-no.	Description	4-pos Part-no.
PVC UL grey LiYFCY 0,25 mm <sup>2</sup>	0,3m	SAL-8S-RK3-RS3-0,3/G3	42-10875	SAL-8S-RK4-RS4-0,3/G3	42-10883
	0,6m	SAL-8S-RK3-RS3-0,6/G3	42-10876	SAL-8S-RK4-RS4-0,6/G3	42-10884
	1,5m	SAL-8S-RK3-RS3-1,5/G3	42-10877	SAL-8S-RK4-RS4-1,5/G3	42-10885
	3m	SAL-8S-RK3-RS3-3/G3	42-10878	SAL-8S-RK4-RS4-3/G3	42-10886
TPU UL, halogenfree black Li9YFC11Y 0,25 mm <sup>2</sup>	0,3m	SAL-8S-RK3-RS3-0,3/G2	42-10879	SAL-8S-RK4-RS4-0,3/G2	42-10887
	0,6m	SAL-8S-RK3-RS3-0,6/G2	42-10880	SAL-8S-RK4-RS4-0,6/G2	42-10888
	1,5m	SAL-8S-RK3-RS3-1,5/G2	42-10881	SAL-8S-RK4-RS4-1,5/G2	42-10889
	3m	SAL-8S-RK3-RS3-3/G2	42-10882	SAL-8S-RK4-RS4-3/G2	42-10890

For custom length or quality levels contact factory

# SAL M12x1 CONNECTORS

Female connector, axial



RoHS compliant – UL Listed, File no.: CYJV2.E318363 (K1-cable)

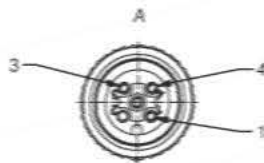
## TECHNICAL DATA

Rated voltage	3-pos	4-pos	5-pos
	250V	250V	60V
Current rating	4A at +40°C		
Pollution degree	3 / 2		
Insulation resistance	≥ 100 MΩ		
Degree of protection	IP67 in mated condition		
Temperature range	-30°C to +80°C		
Mating cycles	≥ 100		

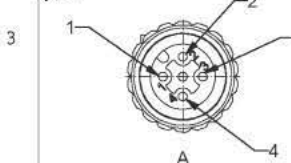
## PRODUCT DRAWING

### Pin Configuration

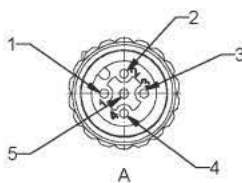
3-pos



4-pos



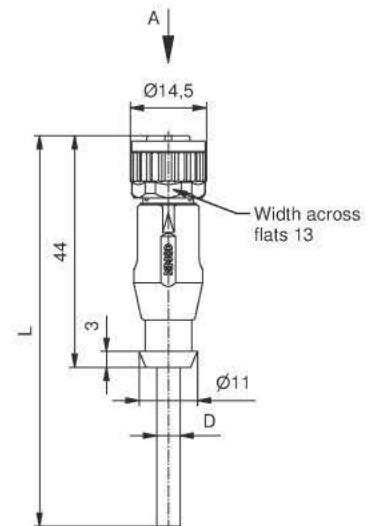
5-pos



### Contact Assignment

- 1) brown
- 2) white
- 3) blue
- 4) black
- 5) green-yellow

### Dimension



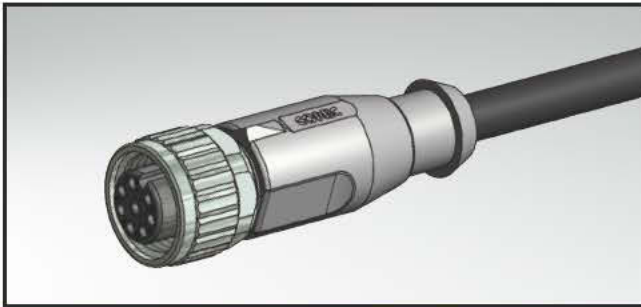
## ORDER DATA

Cable	Length/L	Description	3-pos Part-no.	Description	4-pos Part-no.	Description	5-pos Part-no.
PVC grey LiYY 0,34 mm <sup>2</sup>	2m	SAL-12-RK3-2/A1	43-10000	SAL-12-RK4-2/A1	43-10020	SAL-12-RK5-2/A1	43-10040
	3m	SAL-12-RK3-3/A1	43-10001	SAL-12-RK4-3/A1	43-10021	SAL-12-RK5-3/A1	43-10041
	5m	SAL-12-RK3-5/A1	43-10002	SAL-12-RK4-5/A1	43-10022	SAL-12-RK5-5/A1	43-10042
	10m	SAL-12-RK3-10/A1	43-10003	SAL-12-RK4-10/A1	43-10023	SAL-12-RK5-10/A1	43-10043
TPU UL, halogenfree black Li9Y11Y 0,34 mm <sup>2</sup>	2m	SAL-12-RK3-2/K1	43-10012	SAL-12-RK4-2/K1	43-10032	SAL-12-RK5-2/K1	43-10052
	3m	SAL-12-RK3-3/K1	43-10013	SAL-12-RK4-3/K1	43-10033	SAL-12-RK5-3/K1	43-10053
	5m	SAL-12-RK3-5/K1	43-10014	SAL-12-RK4-5/K1	43-10034	SAL-12-RK5-5/K1	43-10054
	10m	SAL-12-RK3-10/K1	43-10015	SAL-12-RK4-10/K1	43-10035	SAL-12-RK5-10/K1	43-10055
TPU UL, irradiated orange Li12Y11X 0,34 mm <sup>2</sup>	2m	SAL-12-RK3-2/J1	43-10016	SAL-12-RK4-2/J1	43-10036	SAL-12-RK5-2/J1	43-10056
	3m	SAL-12-RK3-3/J1	43-10017	SAL-12-RK4-3/J1	43-10037	SAL-12-RK5-3/J1	43-10057
	5m	SAL-12-RK3-5/J1	43-10018	SAL-12-RK4-5/J1	43-10038	SAL-12-RK5-5/J1	43-10058
	10m	SAL-12-RK3-10/J1	43-10019	SAL-12-RK4-10/J1	43-10039	SAL-12-RK5-10/J1	43-10059

For custom length or quality levels contact factory

# SAL M12x1 CONNECTORS

Female connector, axial



RoHS compliant – UL Listed, File no.: CYJV2.E318363 (K1-cable)

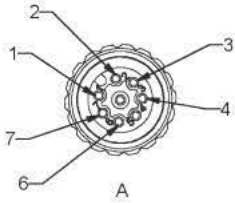
## TECHNICAL DATA

Rated voltage	6-pos	8-pos
	30V	30V
Current rating	2A at +40°C	
Pollution degree	3 / 2	
Insulation resistance	≥ 100 MΩ	
Degree of protection	IP67 in mated condition	
Temperature range	-30°C to +80°C	
Mating cycles	≥ 100	

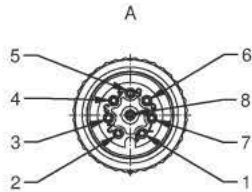
## PRODUCT DRAWING

### Pin Configuration

6-pos



8-pos

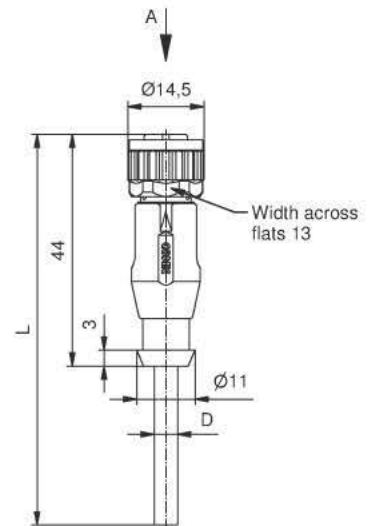


### Contact Assignment

1) brown	4) black
2) white	6) grey
3) blue	7) pink

1) white	5) grey
2) brown	6) pink
3) green	7) blue
4) yellow	8) red

### Dimension



## ORDER DATA

Cable	Length/L	Description	6-pos Part-no.	Description	8-pos Part-no.
PVC grey LiYY 0,25 mm <sup>2</sup>	2m	SAL-12-RK6-2/A1	43-10060	SAL-12-RK8-2/A1	43-10072
	3m	SAL-12-RK6-3/A1	43-10061	SAL-12-RK8-3/A1	43-10073
	5m	SAL-12-RK6-5/A1	43-10062	SAL-12-RK8-5/A1	43-10074
	10m	SAL-12-RK6-10/A1	43-10063	SAL-12-RK8-10/A1	43-10075
TPU UL, halogenfree black Li9Y11Y 0,25 mm <sup>2</sup>	2m	SAL-12-RK6-2/K1	43-11038	SAL-12-RK8-2/K1	43-11034
	3m	SAL-12-RK6-3/K1	43-11039	SAL-12-RK8-3/K1	43-11035
	5m	SAL-12-RK6-5/K1	43-11040	SAL-12-RK8-5/K1	43-11036
	10m	SAL-12-RK6-10/K1	43-11041	SAL-12-RK8-10/K1	43-11037

For custom length or quality levels contact factory

# SAL M12x1 CONNECTORS

Female connector, axial



RoHS compliant

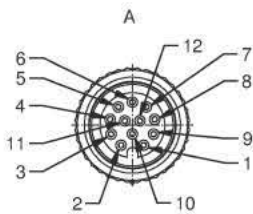
## TECHNICAL DATA

Rated voltage	12-pos 30V
Current rating	1,5A at +40°C
Pollution degree	3 / 2
Insulation resistance	>= 100 MΩ
Degree of protection	IP67 in mated condition
Temperature range	-30°C to +80°C
Mating cycles	>= 100

## PRODUCT DRAWING

### Pin Configuration

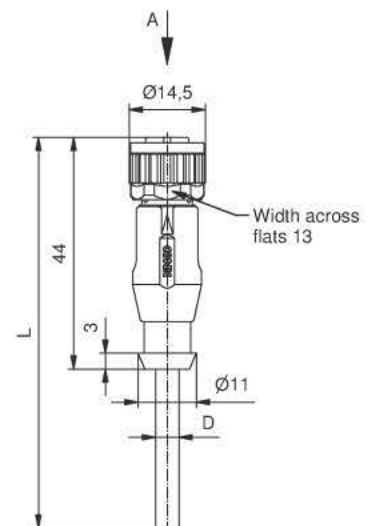
12-pos



### Contact Assignment

1) brown	7) black
2) blue	8) grey
3) white	9) red
4) green	10) violet
5) pink	11) grey-pink
6) yellow	12) red-blue

### Dimension



## ORDER DATA

Cable	Length / L	Description	12-pos Part-no.
PVC grey LiYY 0,14 mm <sup>2</sup>	2m	SAL-12-RK12-2 / A3	43-11264
	3m	SAL-12-RK12-3 / A3	43-11265
	5m	SAL-12-RK12-5 / A3	43-11266
	10m	SAL-12-RK12-10 / A3	43-11267
TPU UL, halogenfree black Li9Y11Y 0,14 mm <sup>2</sup>	2m	SAL-12-RK12-2 / K1	43-11268
	3m	SAL-12-RK12-3 / K1	43-11269
	5m	SAL-12-RK12-5 / K1	43-11270
	10m	SAL-12-RK12-10 / K1	43-11271

For custom length or quality levels contact factory

# SAL M12x1 CONNECTORS

Male connector, axial



RoHS compliant – UL Listed, File no.: CYJV2.E318363 (K1-cable)

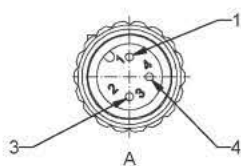
## TECHNICAL DATA

Rated voltage	3-pos	4-pos	5-pos
	250V	250V	60V
Current rating	4A at +40°C		
Pollution degree	3 / 2		
Insulation resistance	≥ 100 MΩ		
Degree of protection	IP67 in mated condition		
Temperature range	-30°C to +80°C		
Mating cycles	≥ 100		

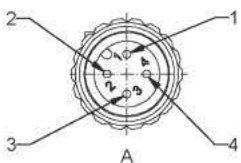
## PRODUCT DRAWING

### Pin Configuration

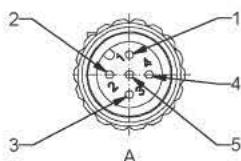
3-pos



4-pos



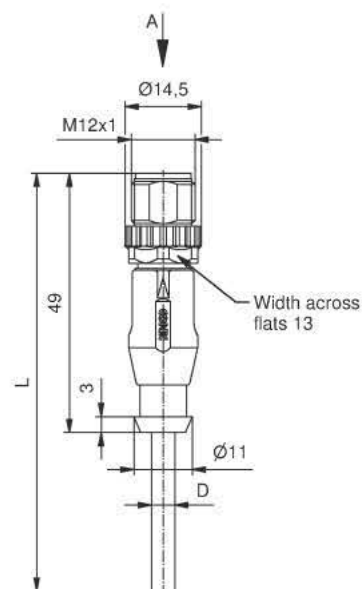
5-pos



### Contact Assignment

1	brown
2	white
3	blue
4	black
5	green-yellow

### Dimension



## ORDER DATA

Cable	Length/L	Description	3-pos Part-no.	Description	4-pos Part-no.	Description	5-pos Part-no.
PVC grey LiYY 0,34 mm <sup>2</sup>	2m	SAL-12-RS3-2/A1	43-10084	SAL-12-RS4-2/A1	43-10104	SAL-12-RS5-2/A1	43-10124
	3m	SAL-12-RS3-3/A1	43-10085	SAL-12-RS4-3/A1	43-10105	SAL-12-RS5-3/A1	43-10125
	5m	SAL-12-RS3-5/A1	43-10086	SAL-12-RS4-5/A1	43-10106	SAL-12-RS5-5/A1	43-10126
	10m	SAL-12-RS3-10/A1	43-10087	SAL-12-RS4-10/A1	43-10107	SAL-12-RS5-10/A1	43-10127
TPU UL, halogenfree black Li9Y11Y 0,34 mm <sup>2</sup>	2m	SAL-12-RS3-2/K1	43-10096	SAL-12-RS4-2/K1	43-10116	SAL-12-RS5-2/K1	43-10136
	3m	SAL-12-RS3-3/K1	43-10097	SAL-12-RS4-3/K1	43-10117	SAL-12-RS5-3/K1	43-10137
	5m	SAL-12-RS3-5/K1	43-10098	SAL-12-RS4-5/K1	43-10118	SAL-12-RS5-5/K1	43-10138
	10m	SAL-12-RS3-10/K1	43-10099	SAL-12-RS4-10/K1	43-10119	SAL-12-RS5-10/K1	43-10139
TPU UL, irradiated orange Li2Y11X 0,34 mm <sup>2</sup>	2m	SAL-12-RS3-2/J1	43-10100	SAL-12-RS4-2/J1	43-10120	SAL-12-RS5-2/J1	43-10140
	3m	SAL-12-RS3-3/J1	43-10101	SAL-12-RS4-3/J1	43-10121	SAL-12-RS5-3/J1	43-10141
	5m	SAL-12-RS3-5/J1	43-10102	SAL-12-RS4-5/J1	43-10122	SAL-12-RS5-5/J1	43-10142
	10m	SAL-12-RS3-10/J1	43-10103	SAL-12-RS4-10/J1	43-10123	SAL-12-RS5-10/J1	43-10143

For custom length or quality levels contact factory

# SAL M12x1 CONNECTORS

Male connector, axial



RoHS compliant – UL Listed, File no.: CYJV2.E318363 (K1-cable)

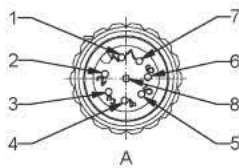
## TECHNICAL DATA

Rated voltage	6-pos	8-pos
	30V	30V
Current rating	2A at +40°C	
Pollution degree	3 / 2	
Insulation resistance	≥ 100 MΩ	
Degree of protection	IP67 in mated condition	
Temperature range	-30°C to +80°C	
Mating cycles	≥ 100	

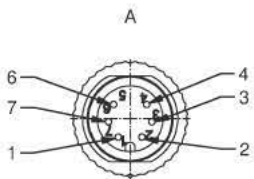
## PRODUCT DRAWING

### Pin Configuration

6-pos



8-pos

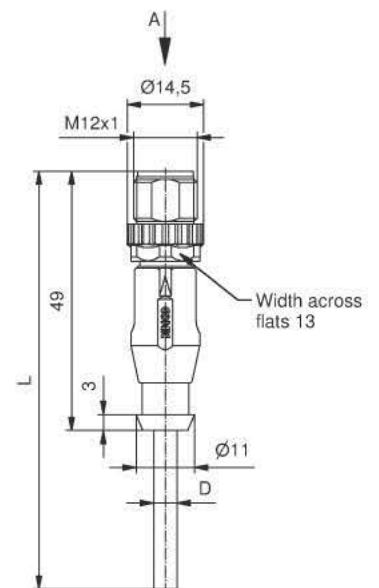


### Contact Assignment

1 brown	4 black
2 white	6 grey
3 blue	7 pink

1 white	5 grey
2 brown	6 pink
3 green	7 blue
4 yellow	8 red

### Dimension



## ORDER DATA

Cable	Length/L	Description	6-pos Part-no.	Description	8-pos Part-no.
PVC grey LiYY 0,25 mm <sup>2</sup>	2m	SAL-12-RS6-2/A1	43-10144	SAL-12-RS8-2/A1	43-10156
	3m	SAL-12-RS6-3/A1	43-10145	SAL-12-RS8-3/A1	43-10157
	5m	SAL-12-RS6-5/A1	43-10146	SAL-12-RS8-5/A1	43-10158
	10m	SAL-12-RS6-10/A1	43-10147	SAL-12-RS8-10/A1	43-10159
TPU UL, halogenfree black Li9Y11Y 0,25 mm <sup>2</sup>	2m	SAL-12-RS6-2/K1	43-11058	SAL-12-RS8-2/K1	43-11062
	3m	SAL-12-RS6-3/K1	43-11059	SAL-12-RS8-3/K1	43-11063
	5m	SAL-12-RS6-5/K1	43-11060	SAL-12-RS8-5/K1	43-11064
	10m	SAL-12-RS6-10/K1	43-11061	SAL-12-RS8-10/K1	43-11065

For custom length or quality levels contact factory

# SAL M12x1 CONNECTORS

Male connector, axial



RoHS compliant

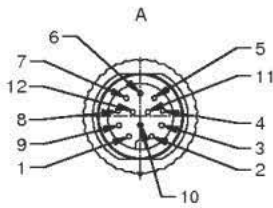
## TECHNICAL DATA

Rated voltage	12-pos 30V
Current rating	1,5A at +40°C
Pollution degree	3 / 2
Insulation resistance	>= 100 MΩ
Degree of protection	IP67 in mated condition
Temperature range	-30°C to +80°C
Mating cycles	>=100

## PRODUCT DRAWING

### Pin Configuration

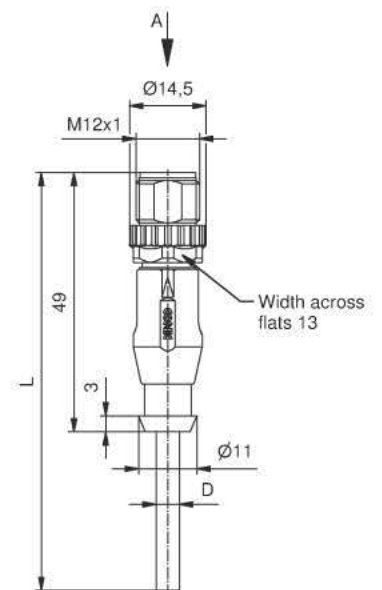
12-pos



### Contact Assignment

1	brown	7	black
2	blue	8	grey
3	white	9	red
4	green	10	violet
5	pink	11	grey-pink
6	yellow	12	red-blue

### Dimension



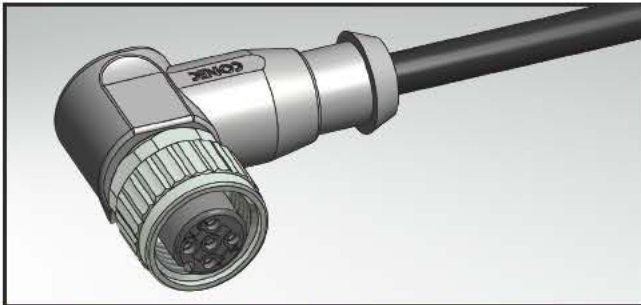
## ORDER DATA

Cable	Length / L	Description	12-pos Part-no.
PVC grey LiYY 0,14 mm <sup>2</sup>	2m	SAL-12-RS12-2/A3	43-11272
	3m	SAL-12-RS12-3/A3	43-11273
	5m	SAL-12-RS12-5/A3	43-11274
	10m	SAL-12-RS12-10/A3	43-11275
TPU UL, halogenfree black Li9Y11Y 0,14 mm <sup>2</sup>	2m	SAL-12-RS12-2/K1	43-11276
	3m	SAL-12-RS12-3/K1	43-11277
	5m	SAL-12-RS12-5/K1	43-11278
	10m	SAL-12-RS12-10/K1	43-11279

For custom length or quality levels contact factory

# SAL M12x1 CONNECTORS

## Female connector, angled



RoHS compliant – UL Listed, File no.: CYJV2.E318363 (K1-Leitung)

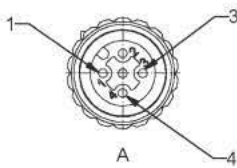
### TECHNICAL DATA

Rated voltage	3-pos	4-pos	5-pos
	250V	250V	60V
Current rating	4A at +40°C		
Pollution degree	3 / 2		
Insulation resistance	≥ 100 MΩ		
Degree of protection	IP67 in mated condition		
Temperature range	-30°C to +80°C		
Mating cycles	≥ 100		

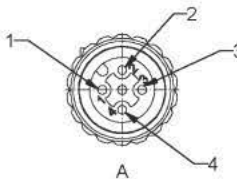
### PRODUCT DRAWING

#### Pin Configuration

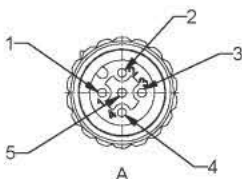
3-pos



4-pos



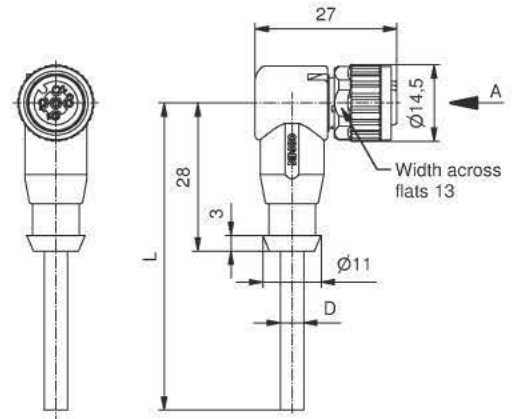
5-pos



#### Contact Assignment

1	brown
2	white
3	blue
4	black
5	green-yellow

#### Dimension



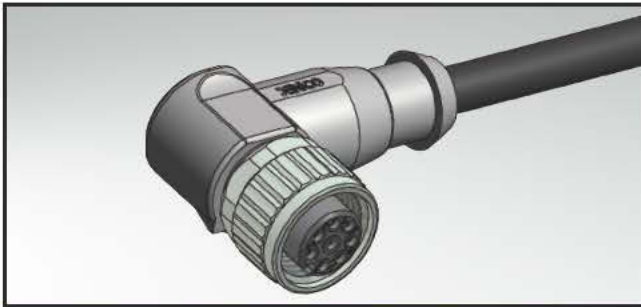
### ORDER DATA

Cable	Length/L	Description	3-pos Part-no.	Description	4-pos Part-no.	Description	5-pos Part-no.
PVC grey LiYY 0,34 mm <sup>2</sup>	2m	SAL-12-RKW3-2/A1	43-10168	SAL-12-RKW4-2/A1	43-10188	SAL-12-RKW5-2/A1	43-10208
	3m	SAL-12-RKW3-3/A1	43-10169	SAL-12-RKW4-3/A1	43-10189	SAL-12-RKW5-3/A1	43-10209
	5m	SAL-12-RKW3-5/A1	43-10170	SAL-12-RKW4-5/A1	43-10190	SAL-12-RKW5-5/A1	43-10210
	10m	SAL-12-RKW3-10/A1	43-10171	SAL-12-RKW4-10/A1	43-10191	SAL-12-RKW5-10/A1	43-10211
TPU UL, halogenfree black Li9Y11X 0,34 mm <sup>2</sup>	2m	SAL-12-RKW3-2/K1	43-10180	SAL-12-RKW4-2/K1	43-10200	SAL-12-RKW5-2/K1	43-10220
	3m	SAL-12-RKW3-3/K1	43-10181	SAL-12-RKW4-3/K1	43-10201	SAL-12-RKW5-3/K1	43-10221
	5m	SAL-12-RKW3-5/K1	43-10182	SAL-12-RKW4-5/K1	43-10202	SAL-12-RKW5-5/K1	43-10222
	10m	SAL-12-RKW3-10/K1	43-10183	SAL-12-RKW4-10/K1	43-10203	SAL-12-RKW5-10/K1	43-10223
TPU UL, irradiated orange Li12Y11X 0,34 mm <sup>2</sup>	2m	SAL-12-RKW3-2/J1	43-10184	SAL-12-RKW4-2/J1	43-10204	SAL-12-RKW5-2/J1	43-10224
	3m	SAL-12-RKW3-3/J1	43-10185	SAL-12-RKW4-3/J1	43-10205	SAL-12-RKW5-3/J1	43-10225
	5m	SAL-12-RKW3-5/J1	43-10186	SAL-12-RKW4-5/J1	43-10206	SAL-12-RKW5-5/J1	43-10226
	10m	SAL-12-RKW3-10/J1	43-10187	SAL-12-RKW4-10/J1	43-10207	SAL-12-RKW5-10/J1	43-10227

For custom length or quality levels contact factory

# SAL M12x1 CONNECTORS

## Female connector, angled



RoHS compliant – UL Listed, File no.: CYJV2.E318363 (K1-cable)

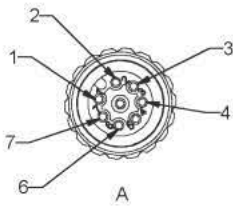
### TECHNICAL DATA

Rated voltage	6-pos	8-pos
	30V	30V
Current rating	2A at +40°C	
Pollution degree	3 / 2	
Insulation resistance	≥ 100 MΩ	
Degree of protection	IP67 in mated condition	
Temperature range	-30°C to +80°C	
Mating cycles	≥ 100	

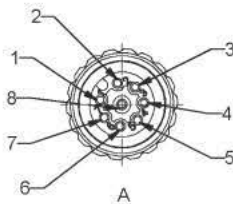
### PRODUCT DRAWING

#### Pin Configuration

6-pos



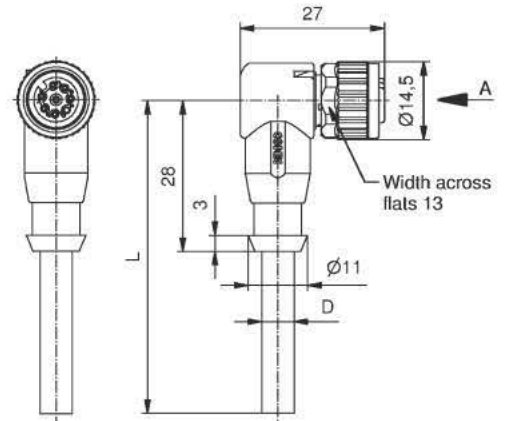
8-pos



#### Contact Assignment

1) brown	4) black
2) white	6) grey
3) blue	7) pink

1) white	5) grey
2) brown	6) pink
3) green	7) blue
4) yellow	8) red



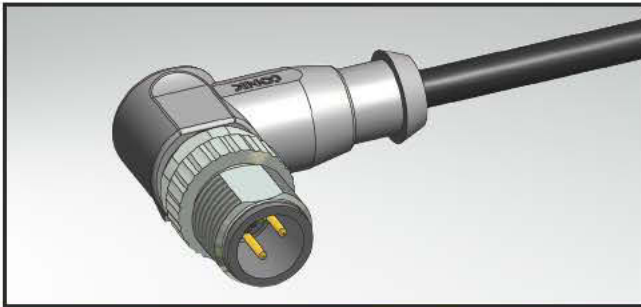
### ORDER DATA

Cable	Length/L	Description	6-pos Part-no.	Description	8-pos Part-no.
PVC grey LiYY 0,25 mm <sup>2</sup>	2m	SAL-12-RKW6-2/A1	43-10228	SAL-12-RKW8-2/A1	43-10240
	3m	SAL-12-RKW6-3/A1	43-10229	SAL-12-RKW8-3/A1	43-10241
	5m	SAL-12-RKW6-5/A1	43-10230	SAL-12-RKW8-5/A1	43-10242
	10m	SAL-12-RKW6-10/A1	43-10231	SAL-12-RKW8-10/A1	43-10243
TPU UL, halogenfree black Li9Y11Y 0,25 mm <sup>2</sup>	2m	SAL-12-RKW6-2/K1	43-11046	SAL-12-RKW8-2/K1	43-11050
	3m	SAL-12-RKW6-3/K1	43-11047	SAL-12-RKW8-3/K1	43-11051
	5m	SAL-12-RKW6-5/K1	43-11048	SAL-12-RKW8-5/K1	43-11052
	10m	SAL-12-RKW6-10/K1	43-11049	SAL-12-RKW8-10/K1	43-11053

For custom length or quality levels contact factory

# SAL M12x1 CONNECTORS

## Male connector, angled



RoHS compliant – UL Listed, File no.: CYJV2.E318363 (K1-cable)

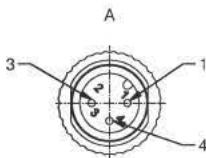
### TECHNICAL DATA

Rated voltage	3-pos	4-pos	5-pos
	250V	250V	60V
Current rating	4A at +40°C		
Pollution degree	3 / 2		
Insulation resistance	≥ 100 MΩ		
Degree of protection	IP67 in mated condition		
Temperature range	-30°C to +80°C		
Mating cycles	≥ 100		

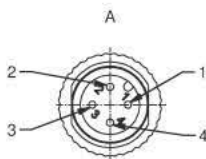
### PRODUCT DRAWING

#### Pin Configuration

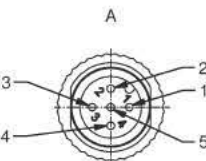
3-pos



4-pos

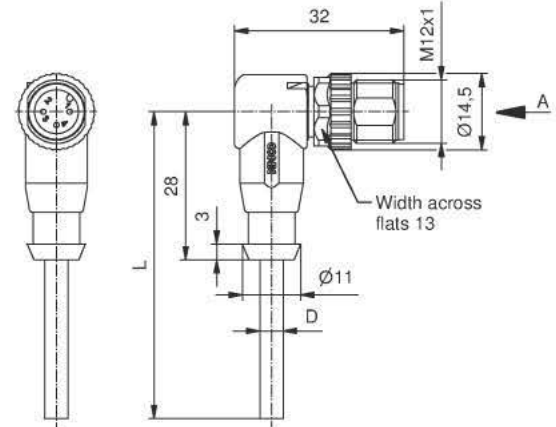


5-pos



#### Contact Assignment

1	brown
2	white
3	blue
4	black
5	green-yellow



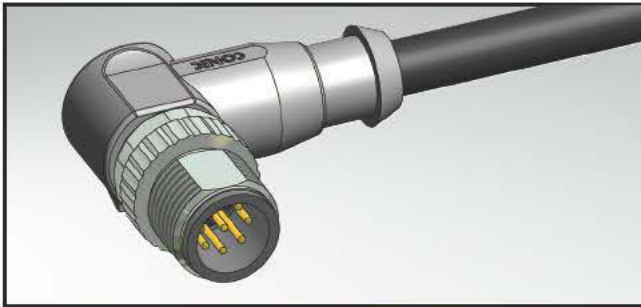
### ORDER DATA

Cable	Length/L	Description	3-pos Part-no.	Description	4-pos Part-no.	Description	5-pos Part-no.
PVC grey LiYY 0,34 mm <sup>2</sup>	2m	SAL-12-RSW3-2/A1/A1090	43-14424	SAL-12-RSW4-2/A1/A1090	43-14436	SAL-12-RSW5-2/A1/A1090	43-14448
	3m	SAL-12-RSW3-3/A1/A1090	43-14425	SAL-12-RSW4-3/A1/A1090	43-14437	SAL-12-RSW5-3/A1/A1090	43-14449
	5m	SAL-12-RSW3-5/A1/A1090	43-14426	SAL-12-RSW4-5/A1/A1090	43-14438	SAL-12-RSW5-5/A1/A1090	43-14450
	10m	SAL-12-RSW3-10/A1/A1090	43-14427	SAL-12-RSW4-10/A1/A1090	43-14439	SAL-12-RSW5-10/A1/A1090	43-14451
TPU UL, halogenfree black Li9Y11Y 0,34 mm <sup>2</sup>	2m	SAL-12-RSW3-2/K1/A1090	43-14428	SAL-12-RSW4-2/K1/A1090	43-14440	SAL-12-RSW5-2/K1/A1090	43-14452
	3m	SAL-12-RSW3-3/K1/A1090	43-14429	SAL-12-RSW4-3/K1/A1090	43-14441	SAL-12-RSW5-3/K1/A1090	43-14453
	5m	SAL-12-RSW3-5/K1/A1090	43-14430	SAL-12-RSW4-5/K1/A1090	43-14442	SAL-12-RSW5-5/K1/A1090	43-14454
	10m	SAL-12-RSW3-10/K1/A1090	43-14431	SAL-12-RSW4-10/K1/A1090	43-14443	SAL-12-RSW5-10/K1/A1090	43-14455
TPU UL, irradiated orange Li12Y11X 0,34 mm <sup>2</sup>	2m	SAL-12-RSW3-2/J1/A1090	43-14432	SAL-12-RSW4-2/J1/A1090	43-14444	SAL-12-RSW5-2/J1/A1090	43-14456
	3m	SAL-12-RSW3-3/J1/A1090	43-14433	SAL-12-RSW4-3/J1/A1090	43-14445	SAL-12-RSW5-3/J1/A1090	43-14457
	5m	SAL-12-RSW3-5/J1/A1090	43-14434	SAL-12-RSW4-5/J1/A1090	43-14446	SAL-12-RSW5-5/J1/A1090	43-14458
	10m	SAL-12-RSW3-10/J1/A1090	43-14435	SAL-12-RSW4-10/J1/A1090	43-14447	SAL-12-RSW5-10/J1/A1090	43-14459

For custom length or quality levels contact factory

# SAL M12x1 CONNECTORS

## Male connector, angled



RoHS compliant – UL Listed, File no.: CYJ2.E318363 (K1-cable)

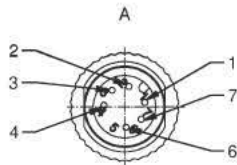
### TECHNICAL DATA

Rated voltage	6-pos	8-pos
	30V	30V
Current rating	2A at +40°C	
Pollution degree	3 / 2	
Insulation resistance	≥ 100 MΩ	
Degree of protection	IP67 in mated condition	
Temperature range	-30°C to +80°C	
Mating cycles	≥ 100	

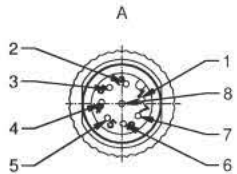
### PRODUCT DRAWING

#### Pin Configuration

6-pos



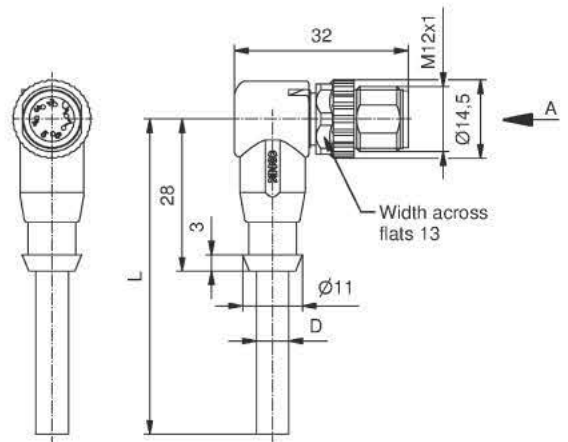
8-pos



#### Contact Assignment

1 brown	4 black
2 white	6 grey
3 blue	7 pink

1 white	5 grey
2 brown	6 pink
3 green	7 blue
4 yellow	8 red



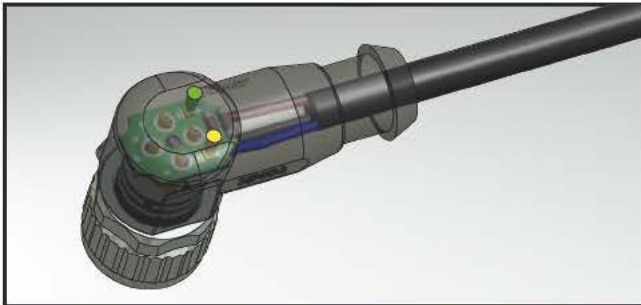
### ORDER DATA

Cable	Length/L	Description	6-pos Part-no.	Description	8-pos Part-no.
PVC grey LiYY 0,25 mm <sup>2</sup>	2m	SAL-12-RSW6-2/A1/A1090	43-14460	SAL-12-RSW8-2/A1/A1090	43-14468
	3m	SAL-12-RSW6-3/A1/A1090	43-14461	SAL-12-RSW8-3/A1/A1090	43-14469
	5m	SAL-12-RSW6-5/A1/A1090	43-14462	SAL-12-RSW8-5/A1/A1090	43-14470
	10m	SAL-12-RSW6-10/A1/A1090	43-14463	SAL-12-RSW8-10/A1/A1090	43-14471
TPU UL, halogenfree black Li9Y11Y 0,25 mm <sup>2</sup>	2m	SAL-12-RSW6-2/K1/A1090	43-14464	SAL-12-RSW8-2/K1/A1090	43-14472
	3m	SAL-12-RSW6-3/K1/A1090	43-14465	SAL-12-RSW8-3/K1/A1090	43-14473
	5m	SAL-12-RSW6-5/K1/A1090	43-14466	SAL-12-RSW8-5/K1/A1090	43-14474
	10m	SAL-12-RSW6-10/K1/A1090	43-14467	SAL-12-RSW8-10/K1/A1090	43-14475

For custom length or quality levels contact factory

# SAL M12x1 CONNECTORS

Female connector, angled with 2-Indicators LED-display



RoHS compliant – UL Listed, File no.: CYJV2.E318363 (K1-cable)

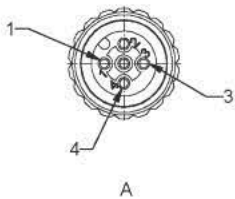
## TECHNICAL DATA

Rated voltage	3-pos 30V
Current rating	4A at +40°C
Pollution degree	3 / 2
Insulation resistance	>= 100 MΩ
Degree of protection	IP67 in mated condition
Temperature range	-30°C to +80°C
Mating cycles	>= 100

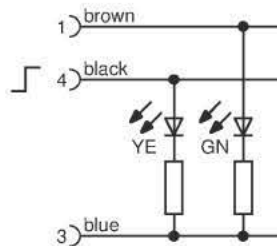
## PRODUCT DRAWING

### Pin Configuration

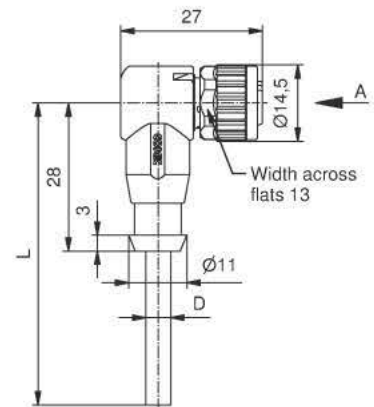
3-pos



### Contact Assignment



### Dimension



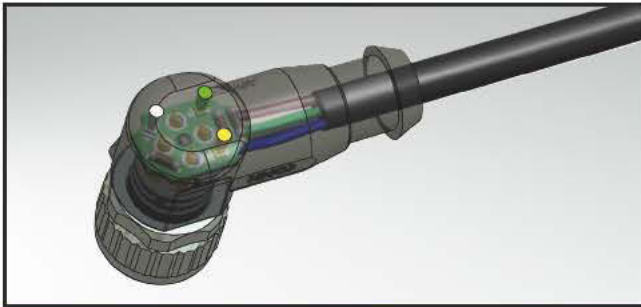
## ORDER DATA

Cable	Length / L	Description	3-pos Part-no.
PVC grey LiYY 0,34 mm <sup>2</sup>	2m	SAL-12-RKW3-2L-2 / A1	43-10368
	3m	SAL-12-RKW3-2L-3 / A1	43-10369
	5m	SAL-12-RKW3-2L-5 / A1	43-10370
	10m	SAL-12-RKW3-2L-10 / A1	43-10371
TPU UL, halogenfree black Li9Y11Y 0,34 mm <sup>2</sup>	2m	SAL-12-RKW3-2L-2 / K1	43-10868
	3m	SAL-12-RKW3-2L-3 / K1	43-10869
	5m	SAL-12-RKW3-2L-5 / K1	43-10870
	10m	SAL-12-RKW3-2L-10 / K1	43-10871
TPU UL, irradiated orange Li12Y11X 0,34 mm <sup>2</sup>	2m	SAL-12-RKW3-2L-2 / J1	43-10872
	3m	SAL-12-RKW3-2L-3 / J1	43-10873
	5m	SAL-12-RKW3-2L-5 / J1	43-10874
	10m	SAL-12-RKW3-2L-10 / J1	43-10875

For custom length or quality levels contact factory

# SAL M12x1 CONNECTORS

Female connector, angled with 3-Indicators LED-display



RoHS compliant – UL Listed, File no.: CYJV2.E318363 (K1-cable)

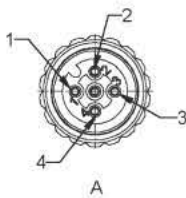
## TECHNICAL DATA

Rated voltage	4-pos	5-pos
	30V	30V
Current rating	4A at +40°C	
Pollution degree	3 / 2	
Insulation resistance	≥ 100 MΩ	
Degree of protection	IP67 in mated condition	
Temperature range	-30°C to +80°C	
Mating cycles	≥ 100	

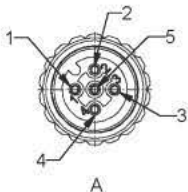
## PRODUCT DRAWING

### Pin Configuration

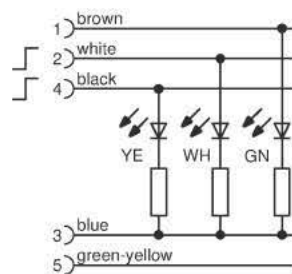
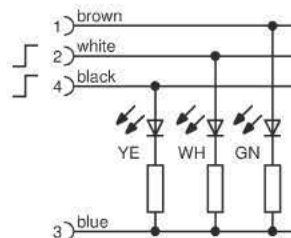
4-pos



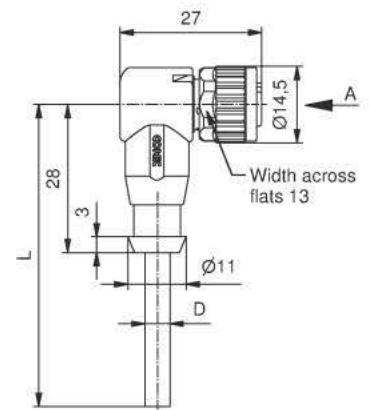
5-pos



### Contact Assignment



### Dimension



## ORDER DATA

Cable	Length/L	Description	4-pos Part-no.	Description	5-pos Part-no.
PVC grey LiYY 0,34 mm <sup>2</sup>	2m	SAL-12-RKW4-3L-2/A1	43-10424	SAL-12-RKW5-3L-2/A1	43-10444
	3m	SAL-12-RKW4-3L-3/A1	43-10425	SAL-12-RKW5-3L-3/A1	43-10445
	5m	SAL-12-RKW4-3L-5/A1	43-10426	SAL-12-RKW5-3L-5/A1	43-10446
	10m	SAL-12-RKW4-3L-10/A1	43-10427	SAL-12-RKW5-3L-10/A1	43-10447
TPU UL, halogenfree black Li9Y11Y 0,34 mm <sup>2</sup>	2m	SAL-12-RKW4-3L-2/K1	43-10436	SAL-12-RKW5-3L-2/K1	43-10456
	3m	SAL-12-RKW4-3L-3/K1	43-10437	SAL-12-RKW5-3L-3/K1	43-10457
	5m	SAL-12-RKW4-3L-5/K1	43-10438	SAL-12-RKW5-3L-5/K1	43-10458
	10m	SAL-12-RKW4-3L-10/K1	43-10439	SAL-12-RKW5-3L-10/K1	43-10459
TPU UL, irradiated orange Li12Y11X 0,34 mm <sup>2</sup>	2m	SAL-12-RKW4-3L-2/J1	43-10440	SAL-12-RKW5-3L-2/J1	43-10460
	3m	SAL-12-RKW4-3L-3/J1	43-10441	SAL-12-RKW5-3L-3/J1	43-10461
	5m	SAL-12-RKW4-3L-5/J1	43-10442	SAL-12-RKW5-3L-5/J1	43-10462
	10m	SAL-12-RKW4-3L-10/J1	43-10443	SAL-12-RKW5-3L-10/J1	43-10463

For custom length or quality levels contact factory

# SAL M12x1 CONNECTORS

Female connector, axial with 360°-shielding



RoHS compliant – UL Listed, File no.: CYJV2.E318363 (K1-cable)

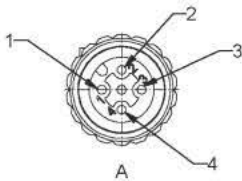
## TECHNICAL DATA

Rated voltage	4-pos	5-pos
	160V	60V
Current rating	4A at +40°C	
Pollution degree	3 / 2	
Insulation resistance	≥ 100 MΩ	
Degree of protection	IP67 in mated condition	
Temperature range	-30°C to +80°C	
Mating cycles	≥ 100	

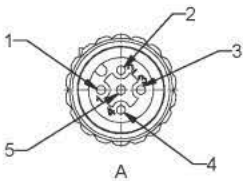
## PRODUCT DRAWING

### Pin Configuration

4-pos



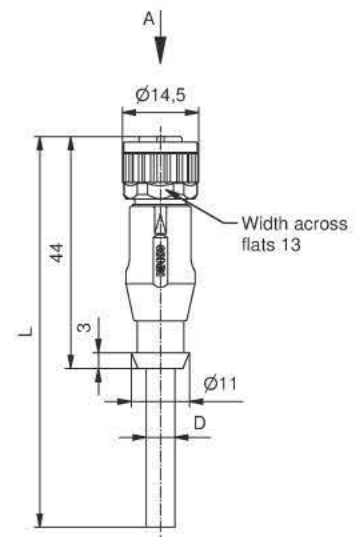
5-pos



### Contact Assignment

1	brown
2	white
3	blue
4	black
5	grey
Shielding coupling nut	

### Dimension



## ORDER DATA

Cable	Length/L	Description	4-pos Part-no.	Description	5-pos Part-no.
PVC UL grey LiYFCY 0,25 mm <sup>2</sup>	2m			SAL-12S-RK5.1-2/G3	43-10344
	3m			SAL-12S-RK5.1-3/G3	43-10345
	5m			SAL-12S-RK5.1-5/G3	43-10346
	10m			SAL-12S-RK5.1-10/G3	43-10347
TPU UL halogenfree black Li9YFC11Y 0,25 mm <sup>2</sup>	2m			SAL-12S-RK5.1-2/G2	43-10348
	3m			SAL-12S-RK5.1-3/G2	43-10349
	5m			SAL-12S-RK5.1-5/G2	43-10350
	10m			SAL-12S-RK5.1-10/G2	43-10351
PVC UL grey LiYFCY 0,34 mm <sup>2</sup>	2m	SAL-12S-RK4-2/G3	43-10336		
	3m	SAL-12S-RK4-3/G3	43-10337		
	5m	SAL-12S-RK4-5/G3	43-10338		
	10m	SAL-12S-RK4-10/G3	43-10339		
TPU UL halogenfree black Li9YFC11Y 0,34 mm <sup>2</sup>	2m	SAL-12S-RK4-2/G2	43-10340		
	3m	SAL-12S-RK4-3/G2	43-10341		
	5m	SAL-12S-RK4-5/G2	43-10342		
	10m	SAL-12S-RK4-10/G2	43-10343		

For custom length or quality levels contact factory

# SAL M12x1 CONNECTORS

Female connector, axial with 360°-shielding



RoHS compliant – UL Listed, File no.: CYJV2.E318363 (K1-cable)

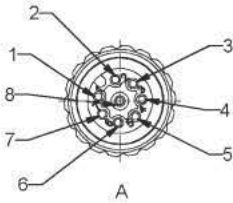
## TECHNICAL DATA

Rated voltage	8-pos	12-pos
	30V	30V
Current rating	2A at +40°C (8-pos)	
	1,5A at +40°C (12-pos)	
Pollution degree	3 / 2	
Insulation resistance	≥ 100 MΩ	
Degree of protection	IP67 in mated condition	
Temperature range	-30°C to +80°C	
Mating cycles	≥ 100	

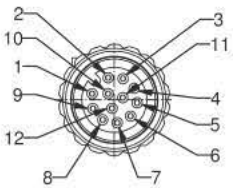
## PRODUCT DRAWING

### Pin Configuration

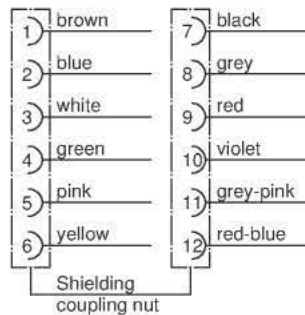
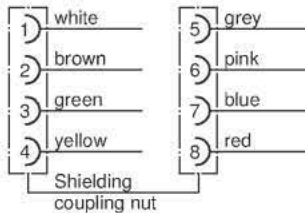
8-pos



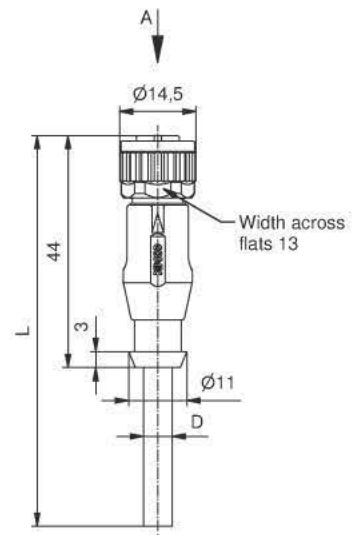
12-pos



### Contact Assignment



### Dimension



## ORDER DATA

Cable	Length/L	Description	8-pos Part-no.	Description	12-pos Part-no.
PVC UL grey LiYFCY 0,14 mm <sup>2</sup>	2m			SAL-12S-RK12-2/G3	43-11280
	3m			SAL-12S-RK12-3/G3	43-11281
	5m			SAL-12S-RK12-5/G3	43-11282
	10m			SAL-12S-RK12-10/G3	43-11283
TPU UL halogenfree black Li9YFC11Y 0,14 mm <sup>2</sup>	2m			SAL-12S-RK12-2/G2	43-11284
	3m			SAL-12S-RK12-3/G2	43-11285
	5m			SAL-12S-RK12-5/G2	43-11286
	10m			SAL-12S-RK12-10/G2	43-11287
PVC UL grey LiYFCY 0,25 mm <sup>2</sup>	2m	SAL-12S-RK8-2/G3	43-10972		
	3m	SAL-12S-RK8-3/G3	43-10973		
	5m	SAL-12S-RK8-5/G3	43-10974		
	10m	SAL-12S-RK8-10/G3	43-10975		
TPU UL halogenfree black Li9YFC11Y 0,25 mm <sup>2</sup>	2m	SAL-12S-RK8-2/G2	43-10976		
	3m	SAL-12S-RK8-3/G2	43-10977		
	5m	SAL-12S-RK8-5/G2	43-10978		
	10m	SAL-12S-RK8-10/G2	43-10979		

# SAL M12x1 CONNECTORS

Male connector, axial with 360°-shielding



RoHS compliant – UL Listed, File no.: CYJV2.E318363 (K1-cable)

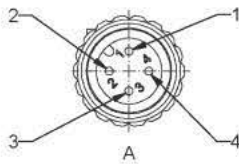
## TECHNICAL DATA

Rated voltage	4-pos	5-pos
	160V	60V
Current rating	4A at +40°C	
Pollution degree	3 / 2	
Insulation resistance	≥ 100 MΩ	
Degree of protection	IP67 in mated condition	
Temperature range	-30°C to +80°C	
Mating cycles	≥ 100	

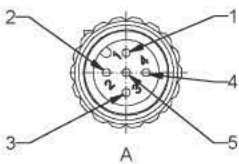
## PRODUCT DRAWING

### Pin Configuration

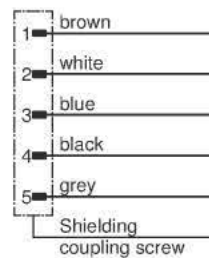
4-pos



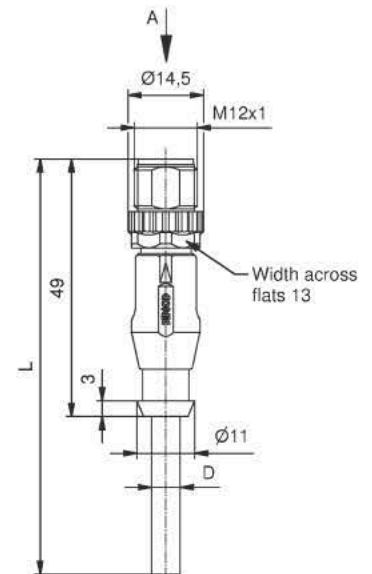
5-pos



### Contact Assignment



### Dimension



## ORDER DATA

Cable	Length/L	Description	4-pos Part-no.	Description	5-pos Part-no.
PVC UL grey LiYFCY 0,25 mm <sup>2</sup>	2m			SAL-12S-RS5.1-2/G3	43-10360
	3m			SAL-12S-RS5.1-3/G3	43-10361
	5m			SAL-12S-RS5.1-5/G3	43-10362
	10m			SAL-12S-RS5.1-10/G3	43-10363
TPU UL halogenfree black Li9YFC11Y 0,25 mm <sup>2</sup>	2m			SAL-12S-RS5.1-2/G2	43-10364
	3m			SAL-12S-RS5.1-3/G2	43-10365
	5m			SAL-12S-RS5.1-5/G2	43-10366
	10m			SAL-12S-RS5.1-10/G2	43-10367
PVC UL grey LiYFCY 0,34 mm <sup>2</sup>	2m	SAL-12S-RS4-2/G3	43-10352		
	3m	SAL-12S-RS4-3/G3	43-10353		
	5m	SAL-12S-RS4-5/G3	43-10354		
	10m	SAL-12S-RS4-10/G3	43-10355		
TPU UL halogenfree black Li9YFC11Y 0,34 mm <sup>2</sup>	2m	SAL-12S-RS4-2/G2	43-10356		
	3m	SAL-12S-RS4-3/G2	43-10357		
	5m	SAL-12S-RS4-5/G2	43-10358		
	10m	SAL-12S-RS4-10/G2	43-10359		

For custom length or quality levels contact factory

# SAL M12x1 CONNECTORS

Male connector, axial with 360°-shielding



RoHS compliant – UL Listed, File no.: CYJV2.E318363 (K1-cable)

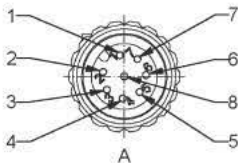
## TECHNICAL DATA

Rated voltage	8-pos	12-pos
	30V	30V
Current rating	2A at +40°C (8-pos)	
	1,5A at +40°C (12-pos)	
Pollution degree	3 / 2	
Insulation resistance	≥ 100 MΩ	
Degree of protection	IP67 in mated condition	
Temperature range	-30°C to +80°C	
Mating cycles	≥ 100	

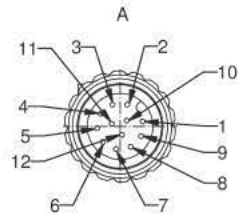
## PRODUCT DRAWING

### Pin Configuration

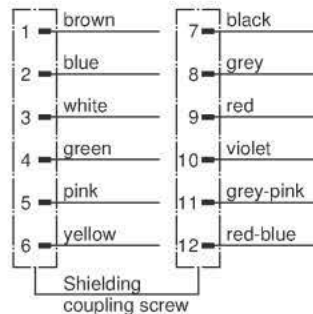
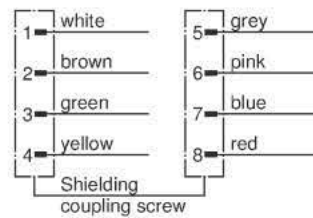
8-pos



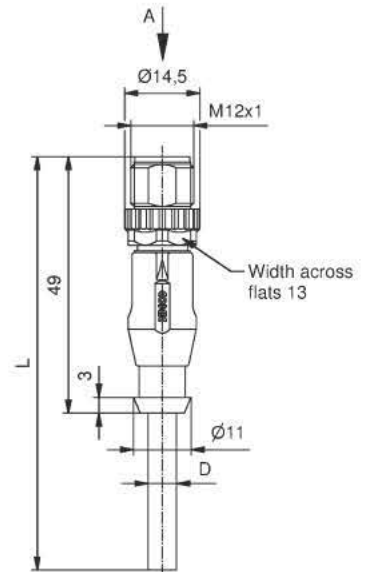
12-pos



### Contact Assignment



### Dimension

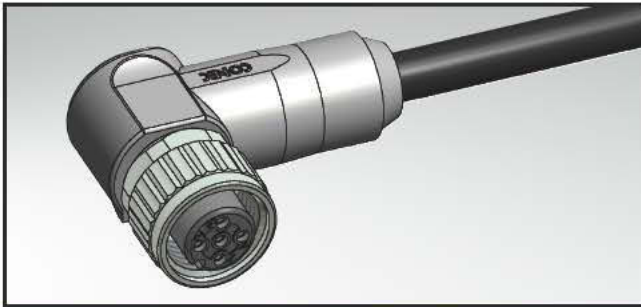


## ORDER DATA

Cable	Length/L	Description	8-pos Part-no.	Description	12-pos Part-no.
PVC UL grey LiYFCY 0,14 mm <sup>2</sup>	2m			SAL-12S-RS12-2/ G3	43-11288
	3m			SAL-12S-RS12-3/ G3	43-11289
	5m			SAL-12S-RS12-5/ G3	43-11290
	10m			SAL-12S-RS12-10/ G3	43-11291
TPU UL, halogenfree black Li9YFC11Y 0,14 mm <sup>2</sup>	2m			SAL-12S-RS12-2/ G2	43-11292
	3m			SAL-12S-RS12-3/ G2	43-11293
	5m			SAL-12S-RS12-5/ G2	43-11294
	10m			SAL-12S-RS12-10/ G2	43-11295
PVC UL grey LiYFCY 0,25 mm <sup>2</sup>	2m	SAL-12S-RS8-2/ G3	43-10980		
	3m	SAL-12S-RS8-3/ G3	43-10981		
	5m	SAL-12S-RS8-5/ G3	43-10982		
	10m	SAL-12S-RS8-10/ G3	43-10983		
TPU UL, halogenfree black Li9YFC11Y 0,25 mm <sup>2</sup>	2m	SAL-12S-RS8-2/ G2	43-10984		
	3m	SAL-12S-RS8-3/ G2	43-10985		
	5m	SAL-12S-RS8-5/ G2	43-10986		
	10m	SAL-12S-RS8-10/ G2	43-10987		

# SAL M12x1 CONNECTORS

Female connector, angled with 360°-shielding



RoHS compliant – UL Listed, File no.: CYJ2.E318363 (K1-cable)

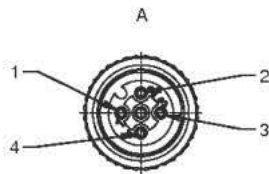
## TECHNICAL DATA

Rated voltage	4-pos	5-pos
	160V	60V
Current rating	4A at +40°C	
Pollution degree	3 / 2	
Insulation resistance	≥ 100 MΩ	
Degree of protection	IP67 in mated condition	
Temperature range	-30°C to +80°C	
Mating cycles	≥ 100	

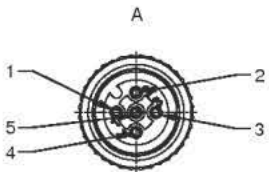
## PRODUCT DRAWING

### Pin Configuration

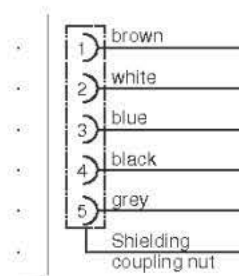
4-pos



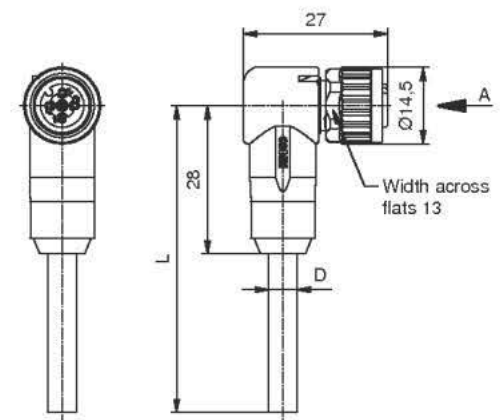
5-pos



### Contact Assignment



### Dimension



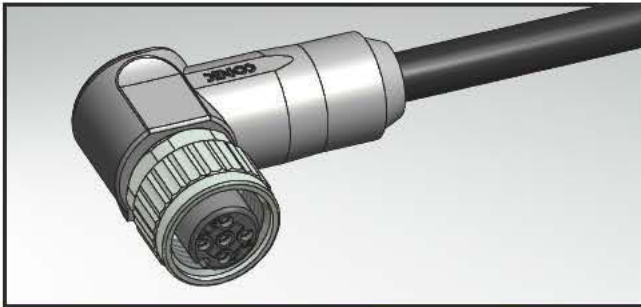
## ORDER DATA

Cable	Length/L	Description	4-pos Part-no.	Description	5-pos Part-no.
PVC UL grey LiYFCY 0,25 mm <sup>2</sup>	2m			SAL-12S-RKW5.1-2 / G3	43-12423
	3m			SAL-12S-RKW5.1-3 / G3	43-12424
	5m			SAL-12S-RKW5.1-5 / G3	43-12425
	10m			SAL-12S-RKW5.1-10 / G3	43-12426
TPU UL, halogenfree black Li9YFC11Y 0,25 mm <sup>2</sup>	2m			SAL-12S-RKW5.1-2 / G2	43-12427
	3m			SAL-12S-RKW5.1-3 / G2	43-12428
	5m			SAL-12S-RKW5.1-5 / G2	43-12429
	10m			SAL-12S-RKW5.1-10 / G2	43-12430
PVC UL grey LiYFCY 0,34 mm <sup>2</sup>	2m	SAL-12S-RKW4-2 / G3	43-12415		
	3m	SAL-12S-RKW4-3 / G3	43-12416		
	5m	SAL-12S-RKW4-5 / G3	43-12417		
	10m	SAL-12S-RKW4-10 / G3	43-12418		
TPU UL, halogenfree black Li9YFC11Y 0,34 mm <sup>2</sup>	2m	SAL-12S-RKW4-2 / G2	43-12419		
	3m	SAL-12S-RKW4-3 / G2	43-12420		
	5m	SAL-12S-RKW4-5 / G2	43-12421		
	10m	SAL-12S-RKW4-10 / G2	43-12422		

For custom length or quality levels contact factory

# SAL M12x1 CONNECTORS

Female connector, angled with 360°-shielding



RoHS compliant – UL Listed, File no.: CYJV2.E318363 (K1-cable)

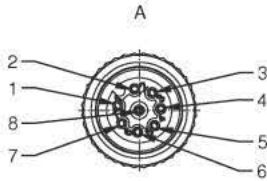
## TECHNICAL DATA

Rated voltage	8-pos 30V
Current rating	2A at +40°C
Pollution degree	3 / 2
Insulation resistance	>= 100 MΩ
Degree of protection	IP67 in mated condition
Temperature range	-30°C to +80°C
Mating cycles	>=100

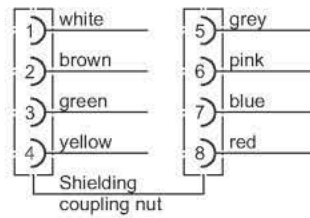
## PRODUCT DRAWING

### Pin Configuration

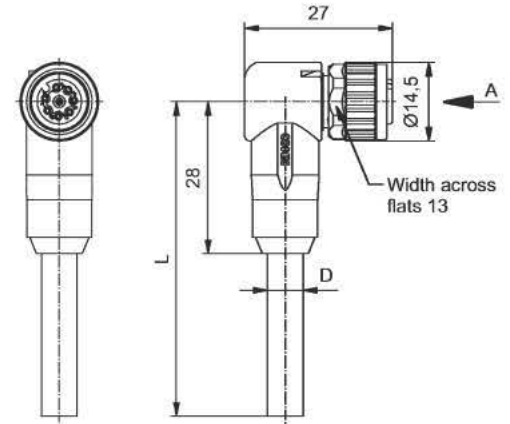
8-pos



### Contact Assignment



### Dimension



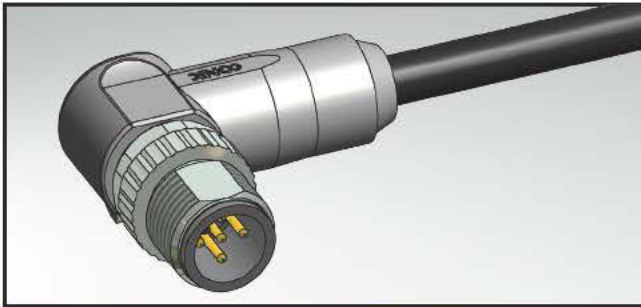
## ORDER DATA

Cable	Length / L	Description	8-pos Part-no.
PVC UL grey LiYFCY 0,25 mm <sup>2</sup>	2m	SAL-12S-RKW8-2 / G3	43-12431
	3m	SAL-12S-RKW8-3 / G3	43-12432
	5m	SAL-12S-RKW8-5 / G3	43-12433
	10m	SAL-12S-RKW8-10 / G3	43-12434
TPU UL, halogenfree black Li9YFC11Y 0,25 mm <sup>2</sup>	2m	SAL-12S-RKW8-2 / G2	43-12435
	3m	SAL-12S-RKW8-3 / G2	43-12436
	5m	SAL-12S-RKW8-5 / G2	43-12437
	10m	SAL-12S-RKW8-10 / G2	43-12438

For custom length or quality levels contact factory

# SAL M12x1 CONNECTORS

Male connector, angled with 360°-shielding



RoHS compliant – UL Listed, File no.: CYN2.E318363 (K1-cable)

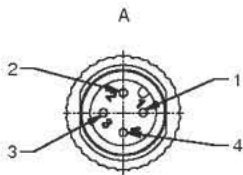
## TECHNICAL DATA

Rated voltage	4-pos	5-pos
	160V	60V
Current rating	4A at +40°C	
Pollution degree	3 / 2	
Insulation resistance	≥ 100 MΩ	
Degree of protection	IP67 in mated condition	
Temperature range	-30°C to +80°C	
Mating cycles	≥ 100	

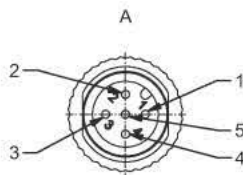
## PRODUCT DRAWING

### Pin Configuration

4-pos



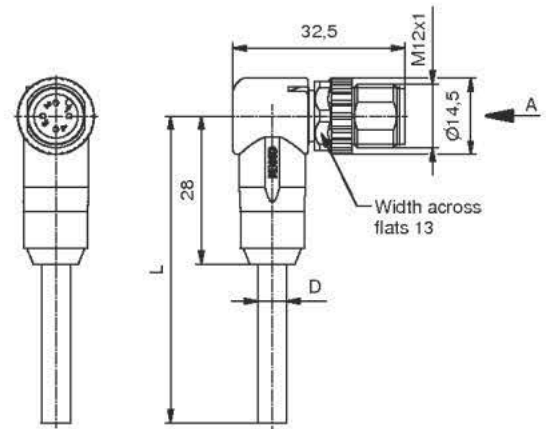
5-pos



### Contact Assignment



### Dimension



## ORDER DATA

Cable	Length/L	Description	4-pos Part-no.	Description	5-pos Part-no.
PVC UL grey LiYFCY 0,25 mm <sup>2</sup>	2m			SAL-12S-RSW5.1-2/G3/A1090	43-14860
	3m			SAL-12S-RSW5.1-3/G3/A1090	43-14861
	5m			SAL-12S-RSW5.1-5/G3/A1090	43-14862
	10m			SAL-12S-RSW5.1-10/G3/A1090	43-14863
TPU UL halogenfree black Li9YFC11Y 0,25 mm <sup>2</sup>	2m			SAL-12S-RSW5.1-2/G2/A1090	43-14864
	3m			SAL-12S-RSW5.1-3/G2/A1090	43-14865
	5m			SAL-12S-RSW5.1-5/G2/A1090	43-14866
	10m			SAL-12S-RSW5.1-10/G2/A1090	43-14867
PVC UL grey LiYFCY 0,324 mm <sup>2</sup>	2m	SAL-12S-RSW4-2/G3/A1090	43-14852		
	3m	SAL-12S-RSW4-3/G3/A1090	43-14853		
	5m	SAL-12S-RSW4-5/G3/A1090	43-14854		
	10m	SAL-12S-RSW4-10/G3/A1090	43-14855		
TPU UL halogenfree black Li9YFC11Y 0,34 mm <sup>2</sup>	2m	SAL-12S-RSW4-2/G2/A1090	43-14856		
	3m	SAL-12S-RSW4-3/G2/A1090	43-14857		
	5m	SAL-12S-RSW4-5/G2/A1090	43-14858		
	10m	SAL-12S-RSW4-10/G2/A1090	43-14859		

# SAL M12x1 CONNECTORS

Male connector, angled with 360°-shielding



RoHS compliant – UL Listed, File no.: CYJ/2.E318363 (K1-cable)

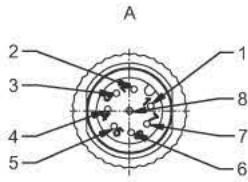
## TECHNICAL DATA

Rated voltage	8-pos 30V
Current rating	2A at +40°C
Pollution degree	3 / 2
Insulation resistance	>= 100 MΩ
Degree of protection	IP67 in mated condition
Temperature range	-30°C to +80°C
Mating cycles	>=100

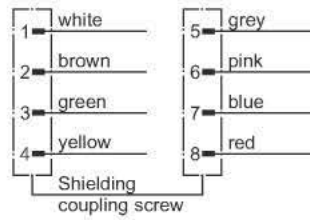
## PRODUCT DRAWING

### Pin Configuration

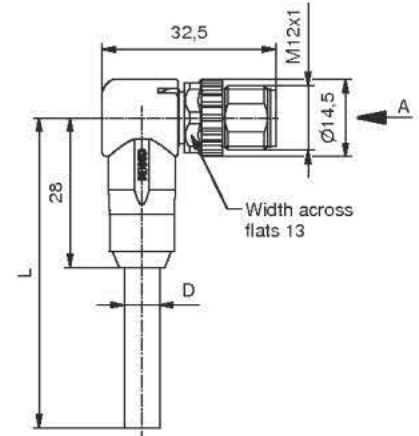
8-pos



### Contact Assignment



### Dimension



## ORDER DATA

Cable	Length / L	Description	8-pos Part-no.
PVC UL grey LiYFCY 0,25 mm <sup>2</sup>	2m	SAL-12S-RSW8-2 / G3 / A1090	43-14868
	3m	SAL-12S-RSW8-3 / G3 / A1090	43-14869
	5m	SAL-12S-RSW8-5 / G3 / A1090	43-14870
	10m	SAL-12S-RSW8-10 / G3 / A1090	43-14871
TPU UL, halogenfree black Li9YFC11Y 0,25 mm <sup>2</sup>	2m	SAL-12S-RSW8-2 / G2 / A1090	43-14872
	3m	SAL-12S-RSW8-3 / G2 / A1090	43-14873
	5m	SAL-12S-RSW8-5 / G2 / A1090	43-14874
	10m	SAL-12S-RSW8-10 / G2 / A1090	43-14875

For custom length or quality levels contact factory

# SAL M12x1 CONNECTORS

Connecting cable Female connector, axial – Male connector, axial



RoHS compliant – UL Listed, File no.: CYJV2.E318363 (K1-cable)

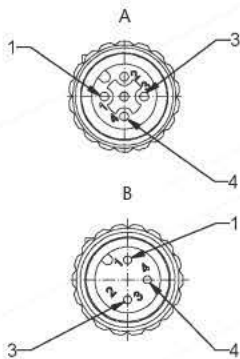
## TECHNICAL DATA

Rated voltage	3-pos	4-pos
	250V	250V
Current rating	4A at +40°C	
Pollution degree	3 / 2	
Insulation resistance	≥ 100 MΩ	
Degree of protection	IP67 in mated condition	
Temperature range	-30°C to +80°C	
Mating cycles	≥ 100	

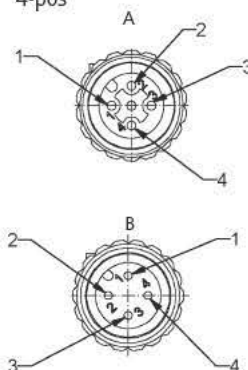
## PRODUCT DRAWING

### Pin Configuration

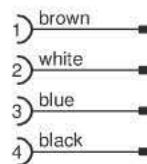
3-pos



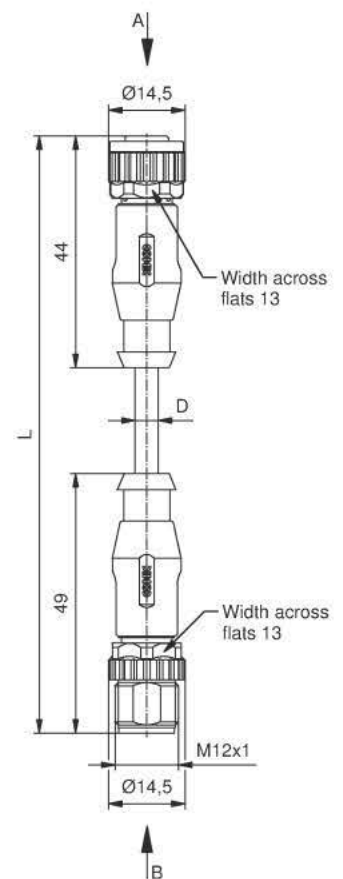
4-pos



### Contact Assignment



### Dimension



## ORDER DATA

Cable	Length/L	Description	3-pos Part-no.	Description	4-pos Part-no.
PVC grey LiYY 0,34 mm <sup>2</sup>	0,3m	SAL-12-RK3-RS3-0,3/A1	43-10544	SAL-12-RK4-RS4-0,3/A1	43-10564
	0,6m	SAL-12-RK3-RS3-0,6/A1	43-10545	SAL-12-RK4-RS4-0,6/A1	43-10565
	1,5m	SAL-12-RK3-RS3-1,5/A1	43-10546	SAL-12-RK4-RS4-1,5/A1	43-10566
	3m	SAL-12-RK3-RS3-3/A1	43-10547	SAL-12-RK4-RS4-3/A1	43-10567
TPU UL, halogenfree black Li9Y11Y 0,34 mm <sup>2</sup>	0,3m	SAL-12-RK3-RS3-0,3/K1	43-10556	SAL-12-RK4-RS4-0,3/K1	43-10576
	0,6m	SAL-12-RK3-RS3-0,6/K1	43-10557	SAL-12-RK4-RS4-0,6/K1	43-10577
	1,5m	SAL-12-RK3-RS3-1,5/K1	43-10558	SAL-12-RK4-RS4-1,5/K1	43-10578
	3m	SAL-12-RK3-RS3-3/K1	43-10559	SAL-12-RK4-RS4-3/K1	43-10579
TPU UL, irradiated orange Li12Y11X 0,34 mm <sup>2</sup>	0,3m	SAL-12-RK3-RS3-0,3/J1	43-10560	SAL-12-RK4-RS4-0,3/J1	43-10580
	0,6m	SAL-12-RK3-RS3-0,6/J1	43-10561	SAL-12-RK4-RS4-0,6/J1	43-10581
	1,5m	SAL-12-RK3-RS3-1,5/J1	43-10562	SAL-12-RK4-RS4-1,5/J1	43-10582
	3m	SAL-12-RK3-RS3-3/J1	43-10563	SAL-12-RK4-RS4-3/J1	43-10583

For custom length or quality levels contact factory

# SAL M12x1 CONNECTORS

Connecting cable Female connector, axial – Male connector, axial



RoHS compliant – UL Listed, File no.: CYJ/2.E318363 (K1-cable)

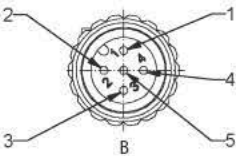
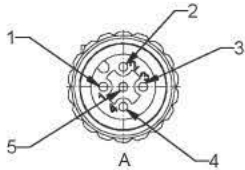
## TECHNICAL DATA

Rated voltage	5-pos	6-pos
	60V	30V
Current rating	4A at +40°C (5-pos)	
	2A at +40°C (6-pos)	
Pollution degree	3 / 2	
Insulation resistance	≥ 100 MΩ	
Degree of protection	IP67 in mated condition	
Temperature range	-30°C to +80°C	
Mating cycles	≥100	

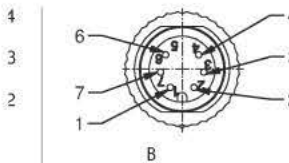
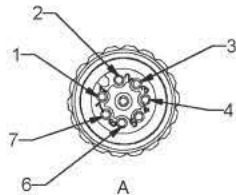
## PRODUCT DRAWING

### Pin Configuration

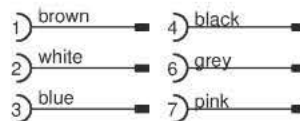
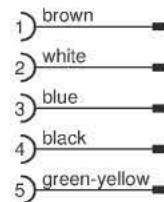
5-pos



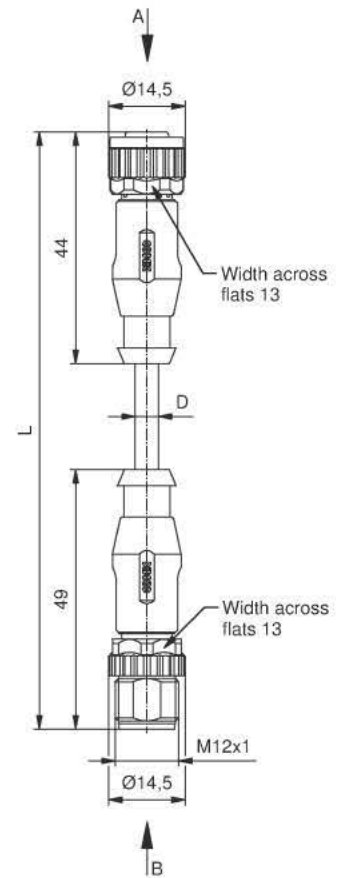
6-pos



### Contact Assignment



### Dimension



## ORDER DATA

Cable	Length/L	Description	5-pos Part-no.	Description	6-pos Part-no.
PVC grey LiYY 0,25 mm <sup>2</sup>	0,3m			SAL-12-RK6-RS6-0,3/A1	43-11070
	0,6m			SAL-12-RK6-RS6-0,6/A1	43-11071
	1,5m			SAL-12-RK6-RS6-1,5/A1	43-11072
	3m			SAL-12-RK6-RS6-3/A1	43-11073
TPU UL halogenfree black Li9Y11Y 0,25 mm <sup>2</sup>	0,3m			SAL-12-RK6-RS6-0,3/K1	43-11078
	0,6m			SAL-12-RK6-RS6-0,6/K1	43-11079
	1,5m			SAL-12-RK6-RS6-1,5/K1	43-11080
	3m			SAL-12-RK6-RS6-3/K1	43-11081
PVC grey LiYY 0,34 mm <sup>2</sup>	0,3m	SAL-12-RK5-RS5-0,3/A1	43-10584		
	0,6m	SAL-12-RK5-RS5-0,6/A1	43-10585		
	1,5m	SAL-12-RK5-RS5-1,5/A1	43-10586		
	3m	SAL-12-RK5-RS5-3/A1	43-10587		
TPU UL halogenfree black Li9Y11Y 0,34 mm <sup>2</sup>	0,3m	SAL-12-RK5-RS5-0,3/K1	43-10672		
	0,6m	SAL-12-RK5-RS5-0,6/K1	43-10673		
	1,5m	SAL-12-RK5-RS5-1,5/K1	43-10674		
	3m	SAL-12-RK5-RS5-3/K1	43-10675		
TPU UL irradiated orange Li12Y11X 0,34 mm <sup>2</sup>	0,3m	SAL-12-RK5-RS5-0,3/J1	43-10676		
	0,6m	SAL-12-RK5-RS5-0,6/J1	43-10677		
	1,5m	SAL-12-RK5-RS5-1,5/J1	43-10678		
	3m	SAL-12-RK5-RS5-3/J1	43-10679		

# SAL M12x1 CONNECTORS

Connecting cable Female connector, axial – Male connector, axial



RoHS compliant – UL Listed, File no.: CYV2.E318363 (K1-cable)

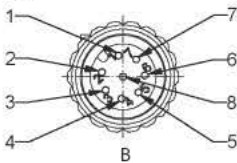
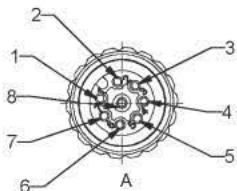
## TECHNICAL DATA

Rated voltage	8-pos	12-pos
	30V	30V
Current rating	2A at +40°C (8-pos)	
	1,5A at +40°C (12-pos)	
Pollution degree	3 / 2	
Insulation resistance	≥ 100 MΩ	
Degree of protection	IP67 in mated condition	
Temperature range	-30°C to +80°C	
Mating cycles	≥ 100	

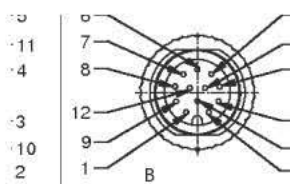
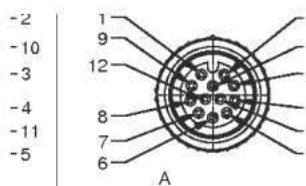
## PRODUCT DRAWING

### Pin Configuration

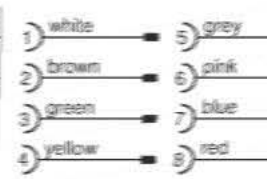
8-pos



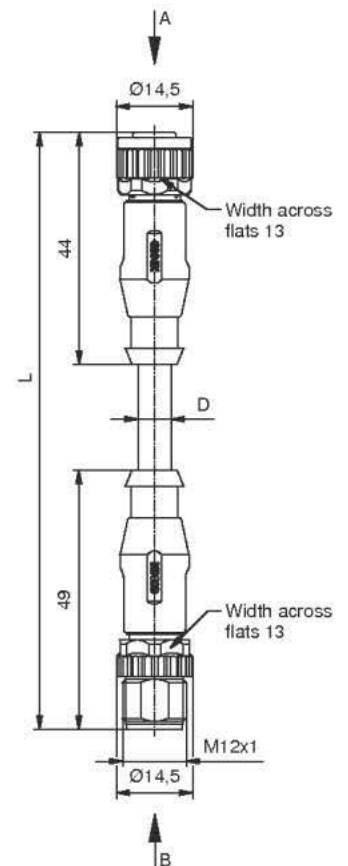
12-pos



### Contact Assignment



### Dimension



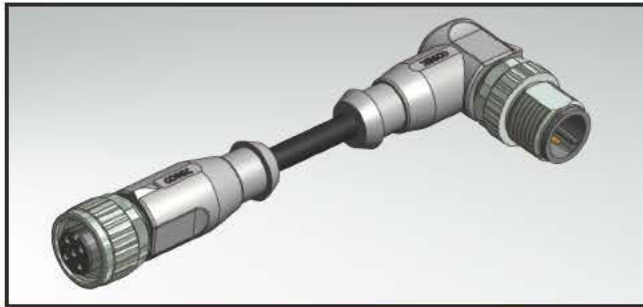
## ORDER DATA

Cable	Length/L	Description	8-pos Part-no.	Description	12-pos Part-no.
PVC UL grey LiYY 0,14 mm <sup>2</sup>	0,3m			SAL-12-RK12-RS12-0,3/A3	43-15277
	0,6m			SAL-12-RK12-RS12-0,6/A3	43-15278
	1,5m			SAL-12-RK12-RS12-1,5/A3	43-15279
	3m			SAL-12-RK12-RS12-3/A3	43-15280
TPU UL, halogenfree black Li9Y11Y 0,14 mm <sup>2</sup>	0,3m			SAL-12-RK12-RS12-0,3/K1	43-13662
	0,6m			SAL-12-RK12-RS12-0,6/K1	43-15281
	1,5m			SAL-12-RK12-RS12-1,5/K1	43-15282
	3m			SAL-12-RK12-RS12-3/K1	43-15283
PVC grey LiYY 0,25 mm <sup>2</sup>	0,3m	SAL-12-RK8-RS8-0,3/A1	43-10596		
	0,6m	SAL-12-RK8-RS8-0,6/A1	43-10597		
	1,5m	SAL-12-RK8-RS8-1,5/A1	43-10598		
	3m	SAL-12-RK8-RS8-3/A1	43-10599		
TPU UL, halogenfree black Li9Y11Y 0,25 mm <sup>2</sup>	0,3m	SAL-12-RK8-RS8-0,3/K1	43-11054		
	0,6m	SAL-12-RK8-RS8-0,6/K1	43-11055		
	1,5m	SAL-12-RK8-RS8-1,5/K1	43-11056		
	3m	SAL-12-RK8-RS8-3/K1	43-11057		

For custom length or quality levels contact factory

# SAL M12x1 CONNECTORS

Connecting cable Female connector, axial – Male connector, angled



RoHS compliant – UL Listed, File no.: CYJ/2.E318363 (K1-cable)

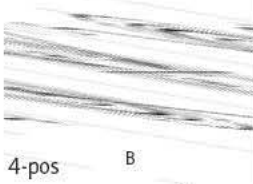
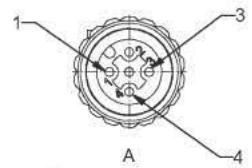
## TECHNICAL DATA

Rated voltage	3-pos	4-pos
	250V	250V
Current rating	4A at +40°C	
Pollution degree	3 / 2	
Insulation resistance	≥ 100 MΩ	
Degree of protection	IP67 in mated condition	
Temperature range	-30°C to +80°C	
Mating cycles	≥ 100	

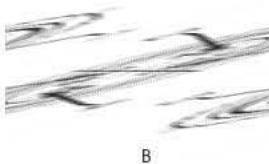
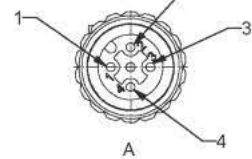
## PRODUCT DRAWING

### Pin Configuration

3-pos



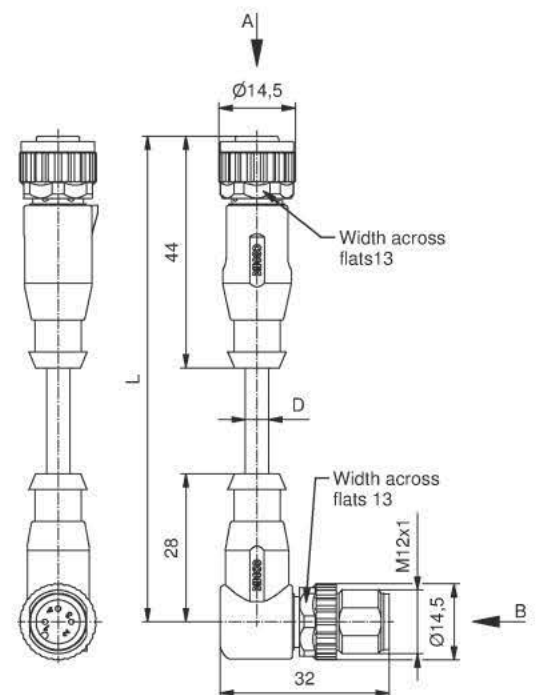
4-pos



### Contact Assignment

1	brown
2	white
3	blue
4	black

### Dimension



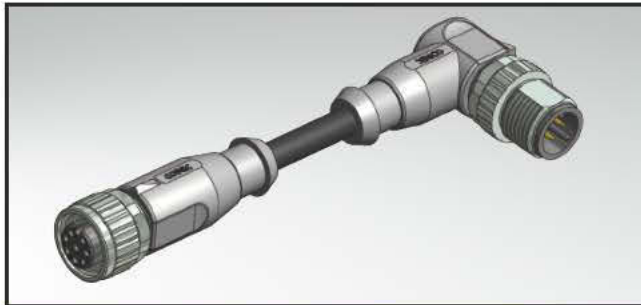
## ORDER DATA

Cable	Length/L	Description	3-pos Part-no.	Description	4-pos Part-no.
PVC grey LiYY 0,34 mm <sup>2</sup>	0,3m	SAL-12-RK3-RSW3-0,3/A1/A1090	43-14593	SAL-12-RK4-RSW4-0,3/A1/A1090	43-14605
	0,6m	SAL-12-RK3-RSW3-0,6/A1/A1090	43-14594	SAL-12-RK4-RSW4-0,6/A1/A1090	43-14606
	1,5m	SAL-12-RK3-RSW3-1,5/A1/A1090	43-14595	SAL-12-RK4-RSW4-1,5/A1/A1090	43-14607
	3m	SAL-12-RK3-RSW3-3/A1/A1090	43-14596	SAL-12-RK4-RSW4-3/A1/A1090	43-14608
TPU UL, halogenfree black Li9Y11Y 0,34 mm <sup>2</sup>	0,3m	SAL-12-RK3-RSW3-0,3/K1/A1090	43-14597	SAL-12-RK4-RSW4-0,3/K1/A1090	43-14609
	0,6m	SAL-12-RK3-RSW3-0,6/K1/A1090	43-14598	SAL-12-RK4-RSW4-0,6/K1/A1090	43-14610
	1,5m	SAL-12-RK3-RSW3-1,5/K1/A1090	43-14599	SAL-12-RK4-RSW4-1,5/K1/A1090	43-14611
	3m	SAL-12-RK3-RSW3-3/K1/A1090	43-14600	SAL-12-RK4-RSW4-3/K1/A1090	43-14612
TPU UL, irradiated orange Li12Y11X 0,34 mm <sup>2</sup>	0,3m	SAL-12-RK3-RSW3-0,3/J1/A1090	43-14601	SAL-12-RK4-RSW4-0,3/J1/A1090	43-14613
	0,6m	SAL-12-RK3-RSW3-0,6/J1/A1090	43-14602	SAL-12-RK4-RSW4-0,6/J1/A1090	43-14614
	1,5m	SAL-12-RK3-RSW3-1,5/J1/A1090	43-14603	SAL-12-RK4-RSW4-1,5/J1/A1090	43-14615
	3m	SAL-12-RK3-RSW3-3/J1/A1090	43-14604	SAL-12-RK4-RSW4-3/J1/A1090	43-14616

For custom length or quality levels contact factory

# SAL M12x1 CONNECTORS

Connecting cable Female connector, axial – Male connector, angled



RoHS compliant – UL Listed, File no.: CYJ/2.E318363 (K1-cable)

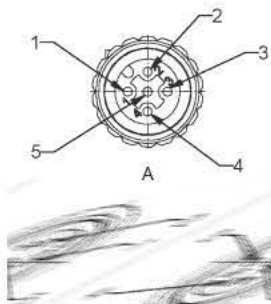
## TECHNICAL DATA

Rated voltage	5-pos	6-pos
	60V	30V
Current rating	4A at +40°C (5-pos)	2A at +40°C (6-pos)
Pollution degree	3 / 2	
Insulation resistance	≥ 100 MΩ	
Degree of protection	IP67 in mated condition	
Temperature range	-30°C to +80°C	
Mating cycles	≥ 100	

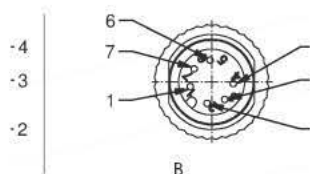
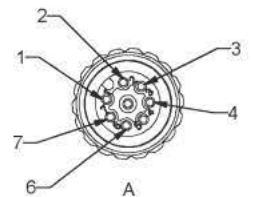
## PRODUCT DRAWING

### Pin Configuration

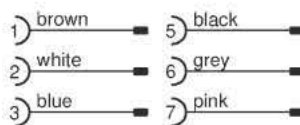
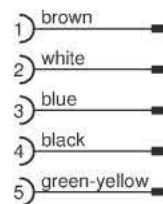
5-pos



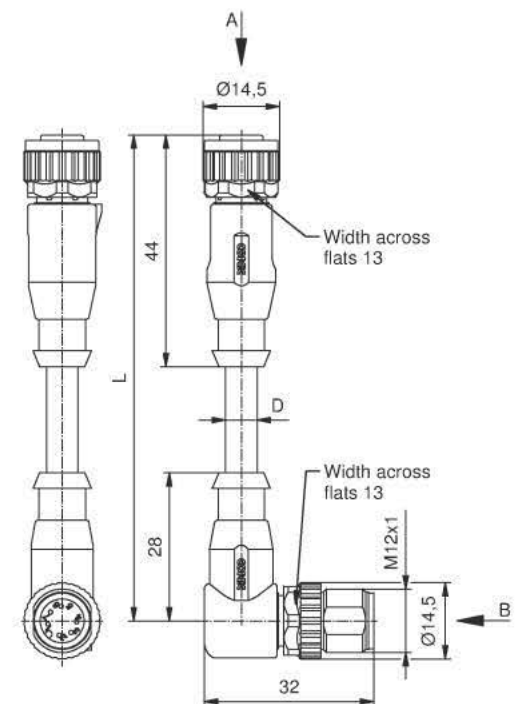
6-pos



### Contact Assignment



### Dimension



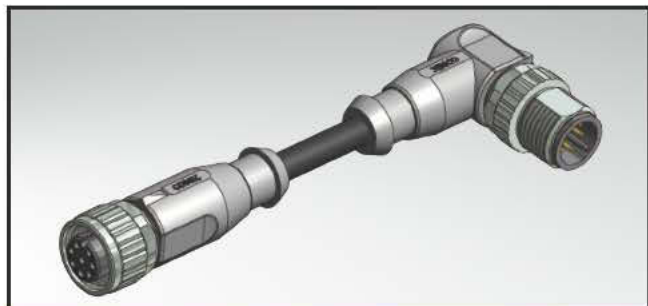
## ORDER DATA

Cable	Length/L	Description	5-pos Part-no.	Description	6-pos Part-no.
PVC grey LiYY 0,25 mm <sup>2</sup>	0,3m			SAL-12-RK6-RSW6-0,3/A1/A1090	43-14629
	0,6m			SAL-12-RK6-RSW6-0,6/A1/A1090	43-14630
	1,5m			SAL-12-RK6-RSW6-1,5/A1/A1090	43-14631
	3m			SAL-12-RK6-RSW6-3/A1/A1090	43-14632
TPU UL halogenfree black Li9Y11Y 0,25 mm <sup>2</sup>	0,3m			SAL-12-RK6-RSW6-0,3/K1/A1090	43-14633
	0,6m			SAL-12-RK6-RSW6-0,6/K1/A1090	43-14634
	1,5m			SAL-12-RK6-RSW6-1,5/K1/A1090	43-14635
	3m			SAL-12-RK6-RSW6-3/K1/A1090	43-14636
PVC grey LiYY 0,34 mm <sup>2</sup>	0,3m	SAL-12-RK5-RSW5-0,3/A1/A1090	43-14617		
	0,6m	SAL-12-RK5-RSW5-0,6/A1/A1090	43-14618		
	1,5m	SAL-12-RK5-RSW5-1,5/A1/A1090	43-14619		
	3m	SAL-12-RK5-RSW5-3/A1/A1090	43-14620		
TPU UL halogenfree black Li9Y11Y 0,34 mm <sup>2</sup>	0,3m	SAL-12-RK5-RSW5-0,3/K1/A1090	43-14621		
	0,6m	SAL-12-RK5-RSW5-0,6/K1/A1090	43-14622		
	1,5m	SAL-12-RK5-RSW5-1,5/K1/A1090	43-14623		
	3m	SAL-12-RK5-RSW5-3/K1/A1090	43-14624		
TPU UL irradiated orange Li12Y11X 0,34 mm <sup>2</sup>	0,3m	SAL-12-RK5-RSW5-0,3/J1/A1090	43-14625		
	0,6m	SAL-12-RK5-RSW5-0,6/J1/A1090	43-14626		
	1,5m	SAL-12-RK5-RSW5-1,5/J1/A1090	43-14627		
	3m	SAL-12-RK5-RSW5-3/J1/A1090	43-14628		

For custom length or quality levels contact factory

# SAL M12x1 CONNECTORS

Connecting cable Female connector, axial – Male connector, angled



RoHS compliant – UL Listed, File no.: CY/J2.E318363 (K1-cable)

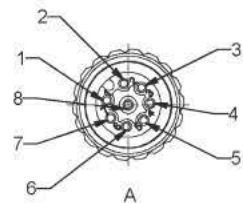
## TECHNICAL DATA

Rated voltage	8-pos 30V
Current rating	2A at +40°C
Pollution degree	3 / 2
Insulation resistance	>= 100 MΩ
Degree of protection	IP67 in mated condition
Temperature range	-30°C to +80°C
Mating cycles	>=100

## PRODUCT DRAWING

### Pin Configuration

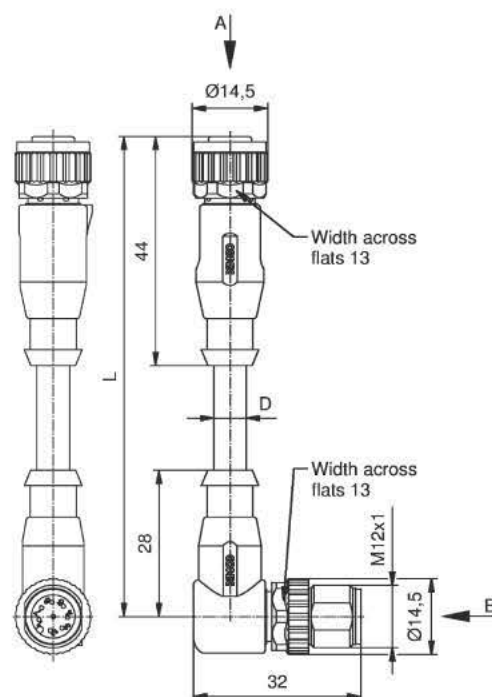
8-pos



### Contact Assignment

1) white	5) grey
2) brown	6) pink
3) green	7) blue
4) yellow	8) red

### Dimension



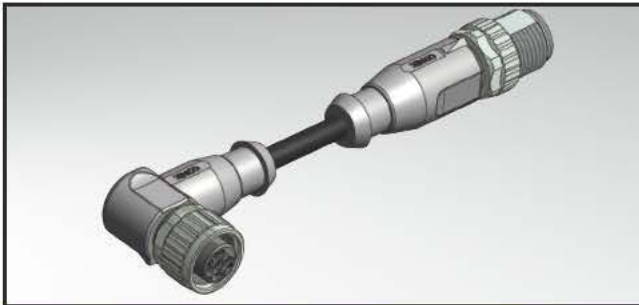
## ORDER DATA

Cable	Length / L	Description	8-pos Part-no.
PVC grey LiYY 0,25 mm <sup>2</sup>	0,3m	SAL-12-RK8-RSW8-0,3 / A1 / A1090	43-14637
	0,6m	SAL-12-RK8-RSW8-0,6 / A1 / A1090	43-14638
	1,5m	SAL-12-RK8-RSW8-1,5 / A1 / A1090	43-14639
	3m	SAL-12-RK8-RSW8-3 / A1 / A1090	43-14640
TPU UL, halogenfree black Li9Y11Y 0,25 mm <sup>2</sup>	0,3m	SAL-12-RK8-RSW8-0,3 / K1 / A1090	43-14641
	0,6m	SAL-12-RK8-RSW8-0,6 / K1 / A1090	43-14642
	1,5m	SAL-12-RK8-RSW8-1,5 / K1 / A1090	43-14643
	3m	SAL-12-RK8-RSW8-3 / K1 / A1090	43-14644

For custom length or quality levels contact factory

# SAL M12x1 CONNECTORS

Connecting cable Female connector, angled – Male connector, axial



RoHS compliant – UL Listed, File no.: CYJ/2.E318363 (K1-cable)

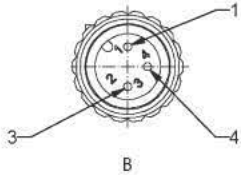
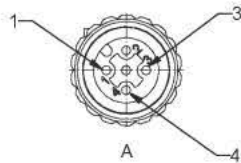
## TECHNICAL DATA

Rated voltage	3-pos	4-pos
	250V	250V
Current rating	4A at +40°C	
Pollution degree	3 / 2	
Insulation resistance	≥ 100 MΩ	
Degree of protection	IP67 in mated condition	
Temperature range	-30°C to +80°C	
Mating cycles	≥ 100	

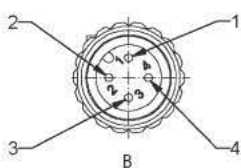
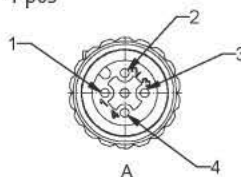
## PRODUCT DRAWING

### Pin Configuration

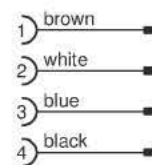
3-pos



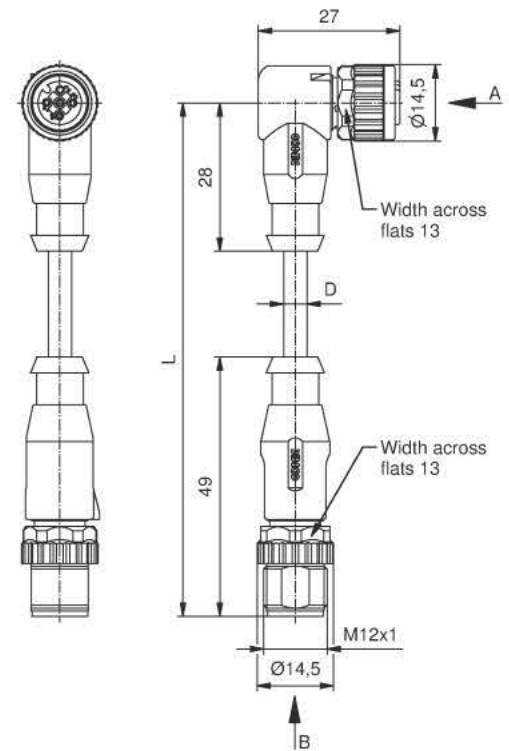
4-pos



### Contact Assignment



### Dimension



## ORDER DATA

Cable	Length/L	Description	3-pos Part-no.	Description	4-pos Part-no.
PVC grey LiYY 0,34 mm <sup>2</sup>	0,3m	SAL-12-RKW3-RS3-0,3/A1	43-10688	SAL-12-RKW4-RS4-0,3/A1	43-10708
	0,6m	SAL-12-RKW3-RS3-0,6/A1	43-10689	SAL-12-RKW4-RS4-0,6/A1	43-10709
	1,5m	SAL-12-RKW3-RS3-1,5/A1	43-10690	SAL-12-RKW4-RS4-1,5/A1	43-10710
	3m	SAL-12-RKW3-RS3-3/A1	43-10691	SAL-12-RKW4-RS4-3/A1	43-10711
TPU UL, halogenfree black Li9Y11Y 0,34 mm <sup>2</sup>	0,3m	SAL-12-RKW3-RS3-0,3/K1	43-10700	SAL-12-RKW4-RS4-0,3/K1	43-10720
	0,6m	SAL-12-RKW3-RS3-0,6/K1	43-10701	SAL-12-RKW4-RS4-0,6/K1	43-10721
	1,5m	SAL-12-RKW3-RS3-1,5/K1	43-10702	SAL-12-RKW4-RS4-1,5/K1	43-10722
	3m	SAL-12-RKW3-RS3-3/K1	43-10703	SAL-12-RKW4-RS4-3/K1	43-10723
TPU UL, irradiated orange Li12Y11X 0,34 mm <sup>2</sup>	0,3m	SAL-12-RKW3-RS3-0,3/J1	43-10704	SAL-12-RKW4-RS4-0,3/J1	43-10724
	0,6m	SAL-12-RKW3-RS3-0,6/J1	43-10705	SAL-12-RKW4-RS4-0,6/J1	43-10725
	1,5m	SAL-12-RKW3-RS3-1,5/J1	43-10706	SAL-12-RKW4-RS4-1,5/J1	43-10726
	3m	SAL-12-RKW3-RS3-3/J1	43-10707	SAL-12-RKW4-RS4-3/J1	43-10727

For custom length or quality levels contact factory

# SAL M12x1 CONNECTORS

Connecting cable Female connector, angled – Male connector, axial



RoHS compliant – UL Listed, File no.: CYJ/2.E318363 (K1-cable)

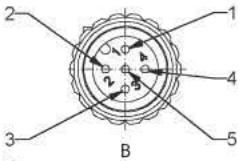
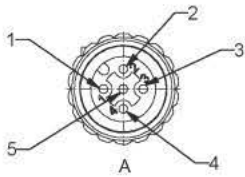
## TECHNICAL DATA

Rated voltage	5-pos	6-pos
	60V	30V
Current rating	4A at +40°C (5-pos)	
	2A at +40°C (6-pos)	
Pollution degree	3 / 2	
Insulation resistance	≥ 100 MΩ	
Degree of protection	IP67 in mated condition	
Temperature range	-30°C to +80°C	
Mating cycles	≥ 100	

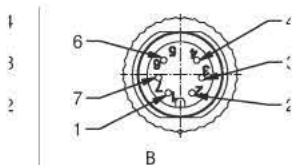
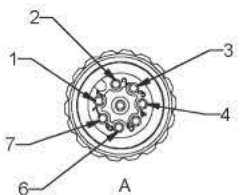
## PRODUCT DRAWING

### Pin Configuration

5-pos



6-pos

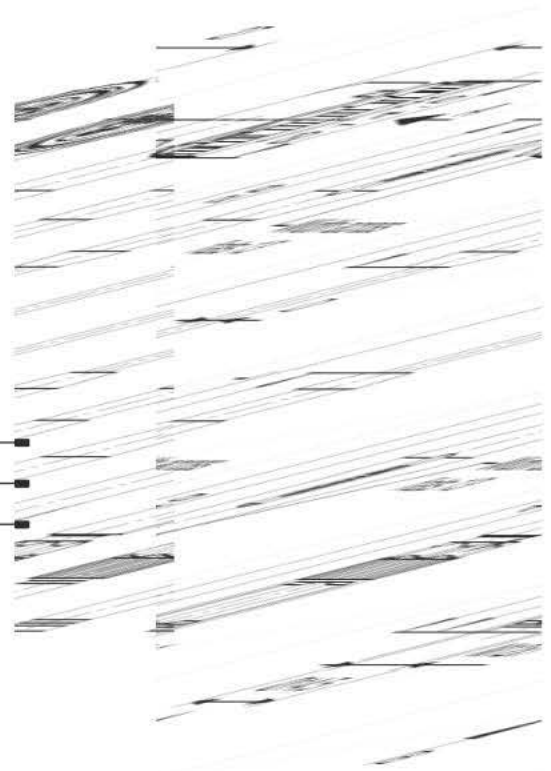


### Contact Assignment

1) brown	■
2) white	■
3) blue	■
4) black	■
5) green-yellow	■

1) brown	■	5) black	■
2) white	■	6) grey	■
3) blue	■	7) pink	■

### Dimension



## ORDER DATA

Cable	Length/L	Description	5-pos Part-no.	Description	6-pos Part-no.
PVC grey LiYY 0,25 mm <sup>2</sup>	0,3m			SAL-12-RKW6-R56-0,3/A1	43-11082
	0,6m			SAL-12-RKW6-R56-0,6/A1	43-11083
	1,5m			SAL-12-RKW6-R56-1,5/A1	43-11084
	3m			SAL-12-RKW6-R56-3/A1	43-11085
TPU UL halogenfree black Li9Y11Y 0,25 mm <sup>2</sup>	0,3m			SAL-12-RKW6-R56-0,3/K1	43-11086
	0,6m			SAL-12-RKW6-R56-0,6/K1	43-11087
	1,5m			SAL-12-RKW6-R56-1,5/K1	43-11088
	3m			SAL-12-RKW6-R56-3/K1	43-11089
PVC grey LiYY 0,34 mm <sup>2</sup>	0,3m	SAL-12-RKW5-R55-0,3/A1	43-10952		
	0,6m	SAL-12-RKW5-R55-0,6/A1	43-10953		
	1,5m	SAL-12-RKW5-R55-1,5/A1	43-10954		
	3m	SAL-12-RKW5-R55-3/A1	43-10955		
TPU UL halogenfree black Li9Y11Y 0,34 mm <sup>2</sup>	0,3m	SAL-12-RKW5-R55-0,3/K1	43-10964		
	0,6m	SAL-12-RKW5-R55-0,6/K1	43-10965		
	1,5m	SAL-12-RKW5-R55-1,5/K1	43-10966		
	3m	SAL-12-RKW5-R55-3/K1	43-10967		
TPU UL irradiated orange Li12Y11X 0,34 mm <sup>2</sup>	0,3m	SAL-12-RKW5-R55-0,3/J1	43-10968		
	0,6m	SAL-12-RKW5-R55-0,6/J1	43-10969		
	1,5m	SAL-12-RKW5-R55-1,5/J1	43-10970		
	3m	SAL-12-RKW5-R55-3/J1	43-10971		

# SAL M12x1 CONNECTORS

Connecting cable Female connector, angled – Male connector, axial



RoHS compliant – UL Listed, File no.: CYJ/2.E318363 (K1-cable)

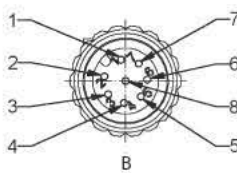
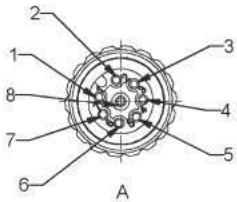
## TECHNICAL DATA

Rated voltage	8-pos 30V
Current rating	2A at +40°C
Pollution degree	3 / 2
Insulation resistance	>= 100 MΩ
Degree of protection	IP67 in mated condition
Temperature range	-30°C to +80°C
Mating cycles	>= 100

## PRODUCT DRAWING

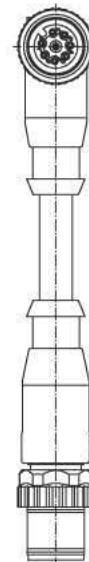
### Pin Configuration

8-pos

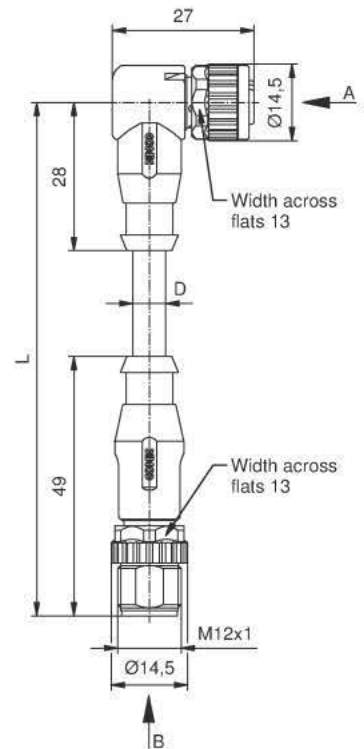


### Contact Assignment

1) white	5) grey
2) brown	6) pink
3) green	7) blue
4) yellow	8) red



### Dimension



## ORDER DATA

Cable	Length / L	Description	8-pos Part-no.
PVC grey LiYY 0,25 mm <sup>2</sup>	0,3m	SAL-12-RKW8-RS8-0,3 / A1	43-10728
	0,6m	SAL-12-RKW8-RS8-0,6 / A1	43-10729
	1,5m	SAL-12-RKW8-RS8-1,5 / A1	43-10730
	3m	SAL-12-RKW8-RS8-3 / A1	43-10731
TPU UL, halogenfree black Li9Y11Y 0,25 mm <sup>2</sup>	0,3m	SAL-12-RKW8-RS8-0,3 / K1	43-11106
	0,6m	SAL-12-RKW8-RS8-0,6 / K1	43-11107
	1,5m	SAL-12-RKW8-RS8-1,5 / K1	43-11108
	3m	SAL-12-RKW8-RS8-3 / K1	43-11109

For custom length or quality levels contact factory

# SAL M12x1 CONNECTORS

Connecting cable Female connector, angled – Male connector, angled



RoHS compliant – UL Listed, File no.: CYJV2.E318363 (K1-cable)

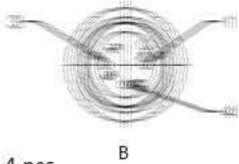
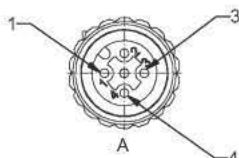
## TECHNICAL DATA

Rated voltage	3-pos	4-pos
	250V	250V
Current rating	4A at +40°C	
Pollution degree	3 / 2	
Insulation resistance	≥ 100 MΩ	
Degree of protection	IP67 in mated condition	
Temperature range	-30°C to +80°C	
Mating cycles	≥ 100	

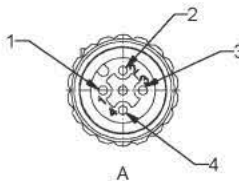
## PRODUCT DRAWING

### Pin Configuration

3-pos



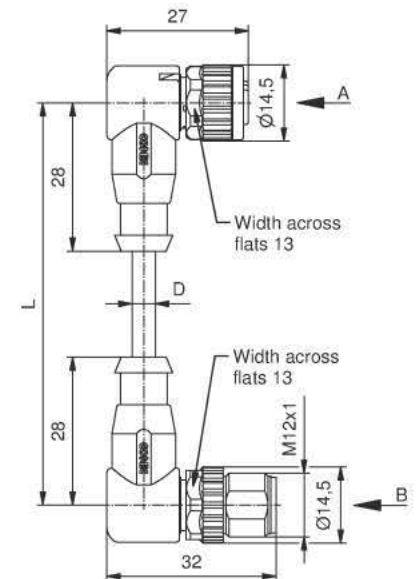
4-pos



B

### Contact Assignment

1	brown	■
2	white	■
3	blue	■
4	black	■



## ORDER DATA

Cable	Length/L	Description	3-pos Part-no.	Description	4-pos Part-no.
PVC grey LiYY 0,34 mm <sup>2</sup>	0,3m	SAL-12-RKW3-RSW3-0,3/A1/A1090	43-14653	SAL-12-RKW4-RSW4-0,3/A1/A1090	43-14665
	0,6m	SAL-12-RKW3-RSW3-0,6/A1/A1090	43-14654	SAL-12-RKW4-RSW4-0,6/A1/A1090	43-14666
	1,5m	SAL-12-RKW3-RSW3-1,5/A1/A1090	43-14655	SAL-12-RKW4-RSW4-1,5/A1/A1090	43-14667
	3m	SAL-12-RKW3-RSW3-3/A1/A1090	43-14656	SAL-12-RKW4-RSW4-3/A1/A1090	43-14668
TPU UL, halogenfree black Li9Y11Y 0,34 mm <sup>2</sup>	0,3m	SAL-12-RKW3-RSW3-0,3/K1/A1090	43-14657	SAL-12-RKW4-RSW4-0,3/K1/A1090	43-14669
	0,6m	SAL-12-RKW3-RSW3-0,6/K1/A1090	43-14658	SAL-12-RKW4-RSW4-0,6/K1/A1090	43-14670
	1,5m	SAL-12-RKW3-RSW3-1,5/K1/A1090	43-14659	SAL-12-RKW4-RSW4-1,5/K1/A1090	43-14671
	3m	SAL-12-RKW3-RSW3-3/K1/A1090	43-14660	SAL-12-RKW4-RSW4-3/K1/A1090	43-14672
TPU UL, irradiated orange Li12Y11X 0,34 mm <sup>2</sup>	0,3m	SAL-12-RKW3-RSW3-0,3/J1/A1090	43-14661	SAL-12-RKW4-RSW4-0,3/J1/A1090	43-14673
	0,6m	SAL-12-RKW3-RSW3-0,6/J1/A1090	43-14662	SAL-12-RKW4-RSW4-0,6/J1/A1090	43-14674
	1,5m	SAL-12-RKW3-RSW3-1,5/J1/A1090	43-14663	SAL-12-RKW4-RSW4-1,5/J1/A1090	43-14675
	3m	SAL-12-RKW3-RSW3-3/J1/A1090	43-14664	SAL-12-RKW4-RSW4-3/J1/A1090	43-14676

For custom length or quality levels contact factory

# SAL M12x1 CONNECTORS

Connecting cable Female connector, angled – Male connector, angled



RoHS compliant – UL Listed, File no.: CYJ/2.E318363 (K1-cable)

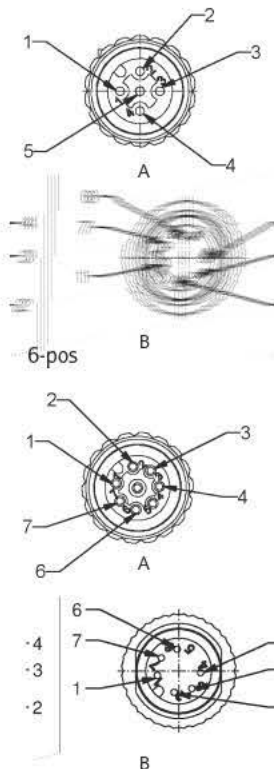
## TECHNICAL DATA

Rated voltage	5-pos	6-pos
	60V	30V
Current rating	4A at +40°C (5-pos)	
	2A at +40°C (6-pos)	
Pollution degree	3 / 2	
Insulation resistance	≥ 100 MΩ	
Degree of protection	IP67 in mated condition	
Temperature range	-30°C to +80°C	
Mating cycles	≥ 100	

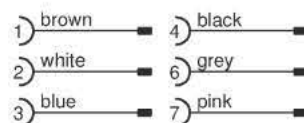
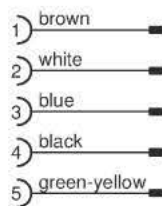
## PRODUCT DRAWING

### Pin Configuration

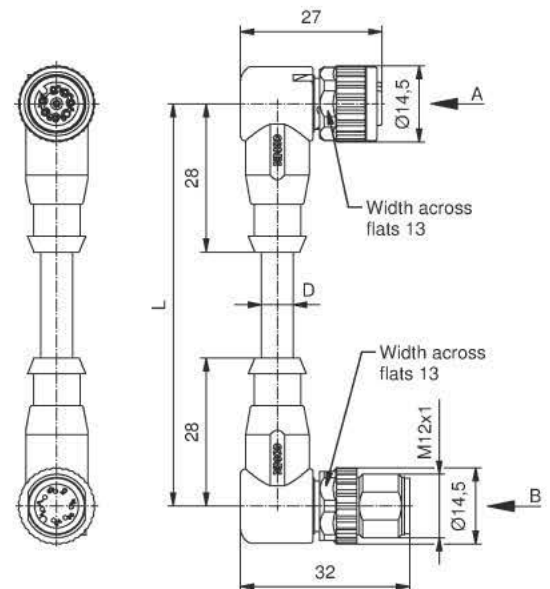
5-pos



### Contact Assignment



### Dimension



## ORDER DATA

Cable	Length/L	Description	5-pos Part-no.	Description	6-pos Part-no.
PVC grey LiYY 0,25 mm <sup>2</sup>	0,3m			SAL-12-RKW6-RSW6-0,3/A1/A1090	43-14689
	0,6m			SAL-12-RKW6-RSW6-0,6/A1/A1090	43-14690
	1,5m			SAL-12-RKW6-RSW6-1,5/A1/A1090	43-14691
	3m			SAL-12-RKW6-RSW6-3/A1/A1090	43-14692
TPU UL, halogenfree black Li9Y11Y 0,25 mm <sup>2</sup>	0,3m			SAL-12-RKW6-RSW6-0,3/K1/A1090	43-14693
	0,6m			SAL-12-RKW6-RSW6-0,6/K1/A1090	43-14694
	1,5m			SAL-12-RKW6-RSW6-1,5/K1/A1090	43-14695
	3m			SAL-12-RKW6-RSW6-3/K1/A1090	43-14696
PVC grey LiYY 0,34 mm <sup>2</sup>	0,3m	SAL-12-RKW5-RSW5-0,3/A1/A1090	43-14677		
	0,6m	SAL-12-RKW5-RSW5-0,6/A1/A1090	43-14678		
	1,5m	SAL-12-RKW5-RSW5-1,5/A1/A1090	43-14679		
	3m	SAL-12-RKW5-RSW5-3/A1/A1090	43-14680		
TPU UL, halogenfree black Li9Y11Y 0,34 mm <sup>2</sup>	0,3m	SAL-12-RKW5-RSW5-0,3/K1/A1090	43-14681		
	0,6m	SAL-12-RKW5-RSW5-0,6/K1/A1090	43-14682		
	1,5m	SAL-12-RKW5-RSW5-1,5/K1/A1090	43-14683		
	3m	SAL-12-RKW5-RSW5-3/K1/A1090	43-14684		
TPU UL, irradiated orange Li12Y11X 0,34 mm <sup>2</sup>	0,3m	SAL-12-RKW5-RSW5-0,3/J1/A1090	43-14685		
	0,6m	SAL-12-RKW5-RSW5-0,6/J1/A1090	43-14686		
	1,5m	SAL-12-RKW5-RSW5-1,5/J1/A1090	43-14687		
	3m	SAL-12-RKW5-RSW5-3/J1/A1090	43-14688		

For custom length or quality levels contact factory

# SAL M12x1 CONNECTORS

Connecting cable Female connector, angled – Male connector, angled



RoHS compliant – UL Listed, File no.: CYJ/2.E318363 (K1-cable)

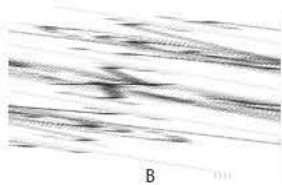
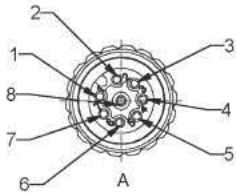
## TECHNICAL DATA

Rated voltage	8-pos 30V
Current rating	2A at +40°C
Pollution degree	3 / 2
Insulation resistance	>= 100 MΩ
Degree of protection	IP67 in mated condition
Temperature range	-30°C to +80°C
Mating cycles	>=100

## PRODUCT DRAWING

### Pin Configuration

8-pos

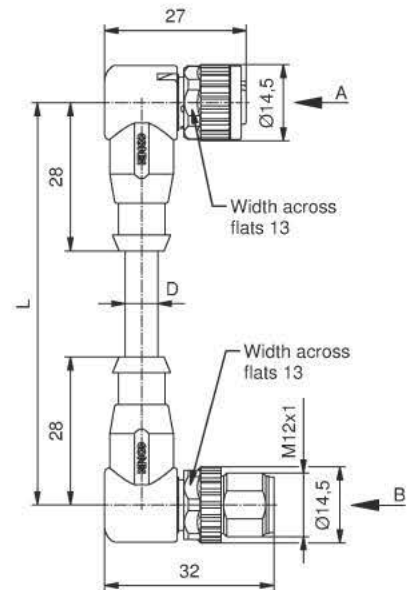


### Contact Assignment

1) white	5) grey
2) brown	6) pink
3) green	7) blue
4) yellow	8) red



### Dimension



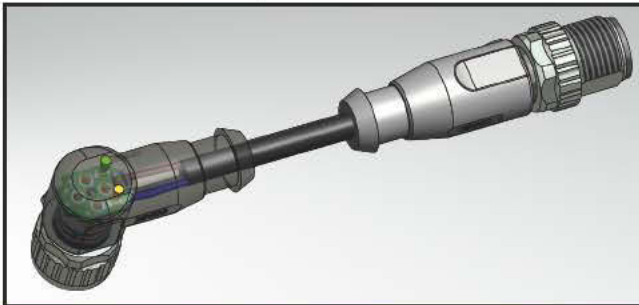
## ORDER DATA

Cable	Length / L	Description	8-pos Part-no.
PVC grey LiYY 0,25 mm <sup>2</sup>	0,3m	SAL-12-RKW8-RSW8-0,3 / A1 / A1090	43-14697
	0,6m	SAL-12-RKW8-RSW8-0,6 / A1 / A1090	43-14698
	1,5m	SAL-12-RKW8-RSW8-1,5 / A1 / A1090	43-14699
	3m	SAL-12-RKW8-RSW8-3 / A1 / A1090	43-14700
TPU UL, halogenfree black Li9Y11Y 0,25 mm <sup>2</sup>	0,3m	SAL-12-RKW8-RSW8-0,3 / K1 / A1090	43-14701
	0,6m	SAL-12-RKW8-RSW8-0,6 / K1 / A1090	43-14702
	1,5m	SAL-12-RKW8-RSW8-1,5 / K1 / A1090	43-14703
	3m	SAL-12-RKW8-RSW8-3 / K1 / A1090	43-14704

For custom length or quality levels contact factory

# SAL M12x1 CONNECTORS

Connecting cable Female connector, angled with 2-Indicators LED-display –  
Male connector, axial



RoHS compliant – UL Listed, File no.: CYJV2.E318363 (K1-cable)

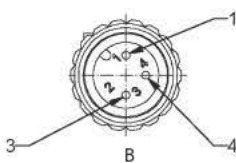
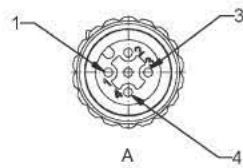
## TECHNICAL DATA

Rated voltage	3-pos 30V
Current rating	4A at +40°C
Pollution degree	3 / 2
Insulation resistance	>= 100 MΩ
Degree of protection	IP67 in mated condition
Temperature range	-30°C to +80°C
Mating cycles	>= 100

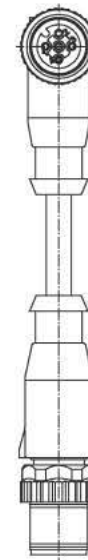
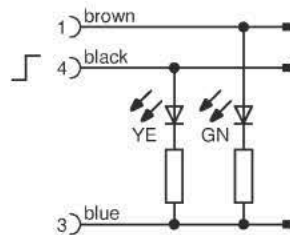
## PRODUCT DRAWING

### Pin Configuration

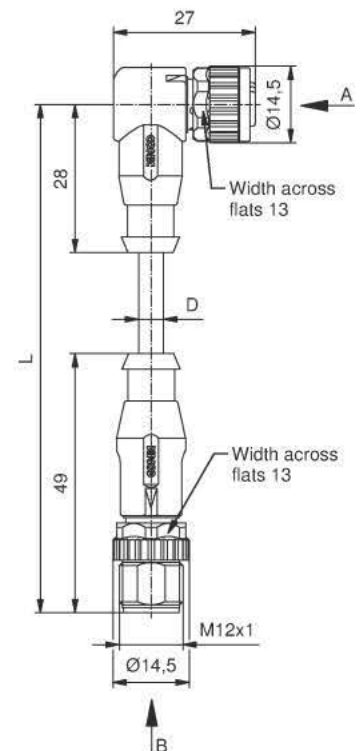
3-pos



### Contact Assignment



### Dimension



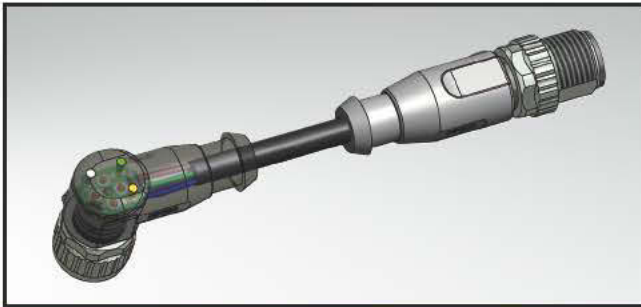
## ORDER DATA

Cable	Length / L	Description	3-pos Part-no.
PVC grey LiYY 0,34 mm <sup>2</sup>	0,3m	SAL-12-RKW3-RS3-2L-0,3/A1	43-10392
	0,6m	SAL-12-RKW3-RS3-2L-0,6/A1	43-10393
	1,5m	SAL-12-RKW3-RS3-2L-1,5/A1	43-10394
	3m	SAL-12-RKW3-RS3-2L-3/A1	43-10395
TPU UL, halogenfree black Li9Y11Y 0,34 mm <sup>2</sup>	0,3m	SAL-12-RKW3-RS3-2L-0,3/K1	43-10884
	0,6m	SAL-12-RKW3-RS3-2L-0,6/K1	43-10885
	1,5m	SAL-12-RKW3-RS3-2L-1,5/K1	43-10886
	3m	SAL-12-RKW3-RS3-2L-3/K1	43-10887
TPU UL, irradiated orange Li12Y11X 0,34 mm <sup>2</sup>	0,3m	SAL-12-RKW3-RS3-2L-0,3/J1	43-10888
	0,6m	SAL-12-RKW3-RS3-2L-0,6/J1	43-10889
	1,5m	SAL-12-RKW3-RS3-2L-1,5/J1	43-10890
	3m	SAL-12-RKW3-RS3-2L-3/J1	43-10891

For custom length or quality levels contact factory

# SAL M12x1 CONNECTORS

Connecting cable Female connector, angled with 3-Indicators LED-display –  
Male connector, axial



RoHS compliant – UL Listed, File no.: CYJV2.E318363 (K1-cable)

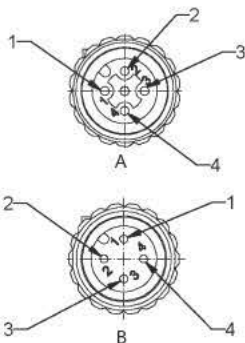
## TECHNICAL DATA

Rated voltage	4-pos	5-pos
	30V	30V
Current rating	4A at +40°C	
Pollution degree	3 / 2	
Insulation resistance	>= 100 MΩ	
Degree of protection	IP67 in mated condition	
Temperature range	-30°C to +80°C	
Mating cycles	>=100	

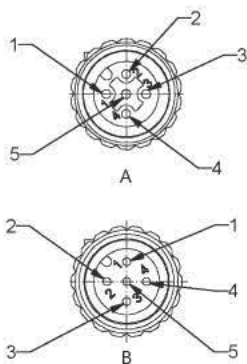
## PRODUCT DRAWING

### Pin Configuration

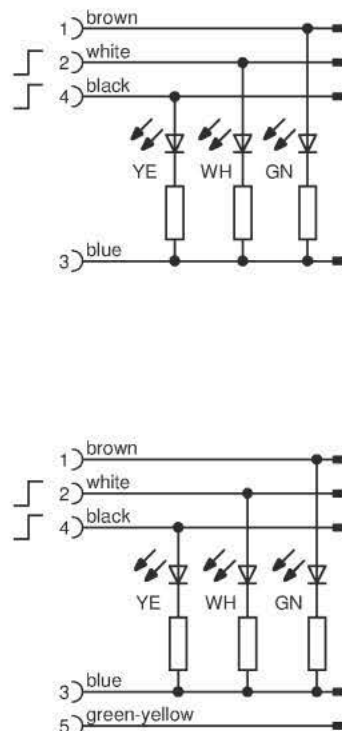
4-pos



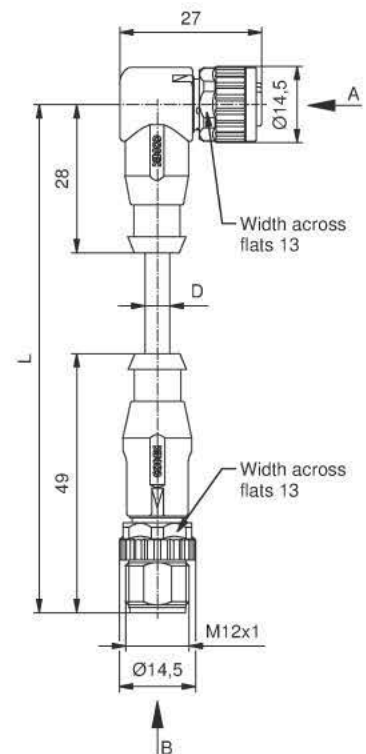
5-pos



### Contact Assignment



### Dimension



## ORDER DATA

Cable	Length/L	Description	4-pos Part-no.	Description	5-pos Part-no.
PVC grey LiYY 0,34 mm <sup>2</sup>	0,3m	SAL-12-RKW4-RS4-3L-0,3/A1	43-10416	SAL-12-RKW5-RS5-3L-0,3/A1	43-10848
	0,6m	SAL-12-RKW4-RS4-3L-0,6/A1	43-10417	SAL-12-RKW5-RS5-3L-0,6/A1	43-10849
	1,5m	SAL-12-RKW4-RS4-3L-1,5/A1	43-10418	SAL-12-RKW5-RS5-3L-1,5/A1	43-10850
	3m	SAL-12-RKW4-RS4-3L-3/A1	43-10419	SAL-12-RKW5-RS5-3L-3/A1	43-10851
TPU UL, halogenfree black Li9Y11Y 0,34 mm <sup>2</sup>	0,3m	SAL-12-RKW4-RS4-3L-0,3/K1	43-10840	SAL-12-RKW5-RS5-3L-0,3/K1	43-10860
	0,6m	SAL-12-RKW4-RS4-3L-0,6/K1	43-10841	SAL-12-RKW5-RS5-3L-0,6/K1	43-10861
	1,5m	SAL-12-RKW4-RS4-3L-1,5/K1	43-10842	SAL-12-RKW5-RS5-3L-1,5/K1	43-10862
	3m	SAL-12-RKW4-RS4-3L-3/K1	43-10843	SAL-12-RKW5-RS5-3L-3/K1	43-10863
TPU UL, irradiated orange Li12Y11X 0,34 mm <sup>2</sup>	0,3m	SAL-12-RKW4-RS4-3L-0,3/J1	43-10844	SAL-12-RKW5-RS5-3L-0,3/J1	43-10864
	0,6m	SAL-12-RKW4-RS4-3L-0,6/J1	43-10845	SAL-12-RKW5-RS5-3L-0,6/J1	43-10865
	1,5m	SAL-12-RKW4-RS4-3L-1,5/J1	43-10846	SAL-12-RKW5-RS5-3L-1,5/J1	43-10866
	3m	SAL-12-RKW4-RS4-3L-3/J1	43-10847	SAL-12-RKW5-RS5-3L-3/J1	43-10867

For custom length or quality levels contact factory

# SAL M12x1 CONNECTORS

Connecting cable with 360°-shielding Female connector, axial – Male connector, axial



RoHS compliant – UL Listed, File no.: CYJ/2.E318363 (K1-cable)

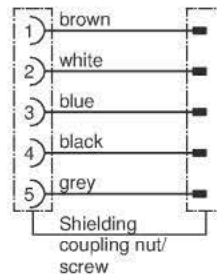
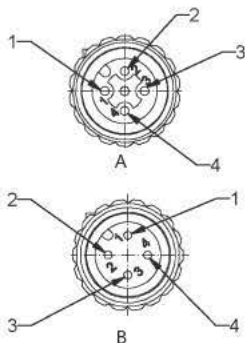
## TECHNICAL DATA

Rated voltage	4-pos	5-pos
	160V	60V
Current rating	4A at +40°C	
Pollution degree	3 / 2	
Insulation resistance	≥ 100 MΩ	
Degree of protection	IP67 in mated condition	
Temperature range	-30°C to +80°C	
Mating cycles	≥ 100	

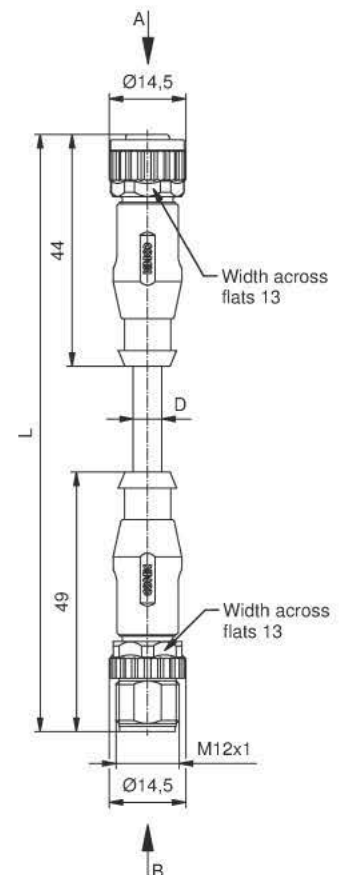
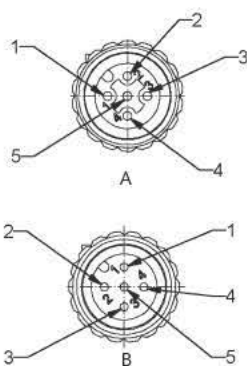
## PRODUCT DRAWING

### Pin Configuration

4-pos



5-pos



## ORDER DATA

Cable	Length/L	Description	4-pos Part-no.	Description	5-pos Part-no.
PVC UL grey LiYFCY 0,25 mm <sup>2</sup>	0,3m			SAL-12S-RK5.1-RS5.1-0,3/G3	43-10824
	0,6m			SAL-12S-RK5.1-RS5.1-0,6/G3	43-10825
	1,5m			SAL-12S-RK5.1-RS5.1-1,5/G3	43-10826
	3m			SAL-12S-RK5.1-RS5.1-3/G3	43-10827
TPU UL, halogenfree black Li9YFC11Y 0,25 mm <sup>2</sup>	0,3m			SAL-12S-RK5.1-RS5.1-0,3/G2	43-10832
	0,6m			SAL-12S-RK5.1-RS5.1-0,6/G2	43-10833
	1,5m			SAL-12S-RK5.1-RS5.1-1,5/G2	43-10834
	3m			SAL-12S-RK5.1-RS5.1-3/G2	43-10835
PVC UL grey LiYFCY 0,324 mm <sup>2</sup>	0,3m	SAL-12S-RK4-RS4-0,3/G3	43-10812		
	0,6m	SAL-12S-RK4-RS4-0,6/G3	43-10813		
	1,5m	SAL-12S-RK4-RS4-1,5/G3	43-10814		
	3m	SAL-12S-RK4-RS4-3/G3	43-10815		
TPU UL, halogenfree black Li9YFC11Y 0,34 mm <sup>2</sup>	0,3m	SAL-12S-RK4-RS4-0,3/G2	43-10820		
	0,6m	SAL-12S-RK4-RS4-0,6/G2	43-10821		
	1,5m	SAL-12S-RK4-RS4-1,5/G2	43-10822		
	3m	SAL-12S-RK4-RS4-3/G2	43-10823		

For custom length or quality levels contact factory

# SAL M12x1 CONNECTORS

Connecting cable with 360°-shielding Female connector, axial – male connector, axial



RoHS compliant – UL Listed, File no.: CYJ/2.E318363 (K1-cable)

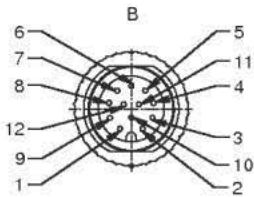
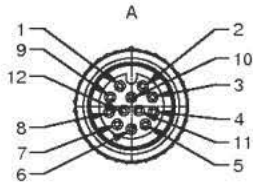
## TECHNICAL DATA

Rated voltage	8-pos	12-pos
	30V	30V
Current rating	2A at +40°C (8-pos)	
	1,5A at +40°C (12-pos)	
Pollution degree	3 / 2	
Insulation resistance	≥ 100 MΩ	
Degree of protection	IP67 in mated condition	
Temperature range	-30°C to +80°C	
Mating cycles	≥ 100	

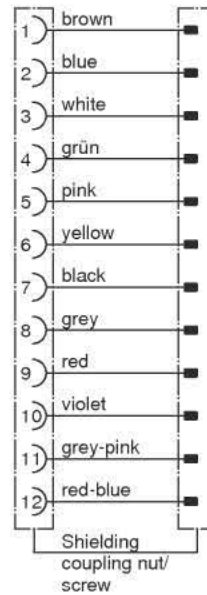
## PRODUCT DRAWING

### Pin Configuration

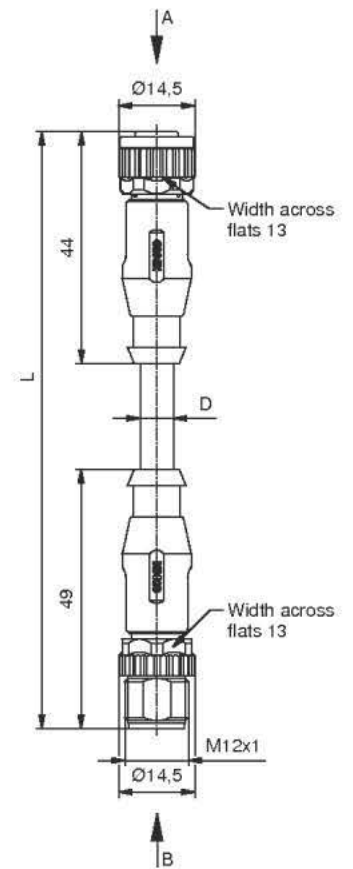
12-pos



### Contact Assignment



### Dimension



## ORDER DATA

Cable	Length/L	Description	8-pos Part-no.	Description	12-pos Part-no.
PVC UL grey LiYCY 0,14 mm <sup>2</sup>	0,3m			SAL-12S-RK12-RS12-0,3/G3	43-15284
	0,6m			SAL-12S-RK12-RS12-0,6/G3	43-15285
	1,5m			SAL-12S-RK12-RS12-1,5/G3	43-15286
	3m			SAL-12S-RK12-RS12-3/G3	43-15287
TPU UL halogenfree black Li9YC11Y 0,14 mm <sup>2</sup>	0,3m			SAL-12S-RK12-RS12-0,3/G2	43-15288
	0,6m			SAL-12S-RK12-RS12-0,6/G2	43-15289
	1,5m			SAL-12S-RK12-RS12-1,5/G2	43-15290
	3m			SAL-12S-RK12-RS12-3/G2	43-15031
PVC UL grey LiYFCY 0,25 mm <sup>2</sup>	0,3m	SAL-12S-RK8-RS8-0,3/G3	43-10988		
	0,6m	SAL-12S-RK8-RS8-0,6/G3	43-10989		
	1,5m	SAL-12S-RK8-RS8-1,5/G3	43-10990		
	3m	SAL-12S-RK8-RS8-3/G3	43-10991		
TPU UL halogenfree black Li9YFC11Y 0,25 mm <sup>2</sup>	0,3m	SAL-12S-RK8-RS8-0,3/G2	43-10992		
	0,6m	SAL-12S-RK8-RS8-0,6/G2	43-10993		
	1,5m	SAL-12S-RK8-RS8-1,5/G2	43-10994		
	3m	SAL-12S-RK8-RS8-3/G2	43-10995		

# SAL M12x1/M8x1 CONNECTORS

Connecting cable Female connector M12x1, axial – Male connector M8x1, axial



RoHS compliant

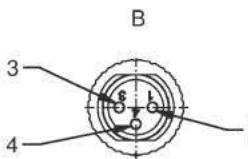
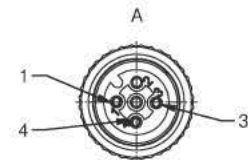
## TECHNICAL DATA

Rated voltage	3-pos 60V
Current rating	3A at +40°C
Pollution degree	3 / 2
Insulation resistance	>= 100 MΩ
Degree of protection	IP67 in mated condition
Temperature range	-30°C to +80°C
Mating cycles	>= 100

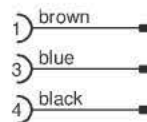
## PRODUCT DRAWING

### Pin Configuration

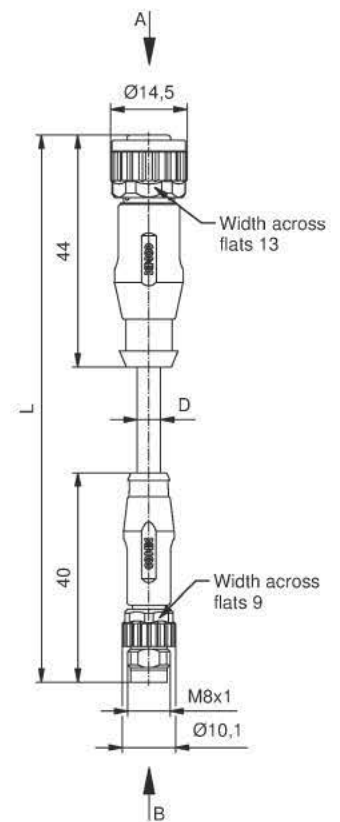
3-pos



### Contact Assignment



### Dimension



## ORDER DATA

Cable	Length / L	Description	3-pos Part-no.
PVC grey LiYY 0,25 mm <sup>2</sup>	0,3m	SAL-12-RK3-8-RS3-0,3 / A1	43-11430
	0,6m	SAL-12-RK3-8-RS3-0,6 / A1	43-11431
	1,5m	SAL-12-RK3-8-RS3-1,5 / A1	43-11432
	3m	SAL-12-RK3-8-RS3-3 / A1	43-11433
TPU black Li9Y11Y 0,25 mm <sup>2</sup>	0,3m	SAL-12-RK3-8-RS3-0,3 / K1	43-11434
	0,6m	SAL-12-RK3-8-RS3-0,6 / K1	43-11435
	1,5m	SAL-12-RK3-8-RS3-1,5 / K1	43-11436
	3m	SAL-12-RK3-8-RS3-3 / K1	43-11437

For custom length or quality levels contact factory

# SAL M12x1/M8x1 CONNECTORS

Connecting cable Female connector M12x1, angled – Male connector M8x1, axial



RoHS compliant

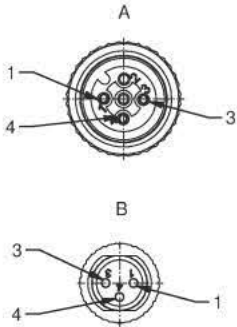
## TECHNICAL DATA

Rated voltage	3-pos 60V
Current rating	3A at +40°C
Pollution degree	3 / 2
Insulation resistance	>= 100 MΩ
Degree of protection	IP67 in mated condition
Temperature range	-30°C to +80°C
Mating cycles	>=100

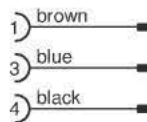
## PRODUCT DRAWING

### Pin Configuration

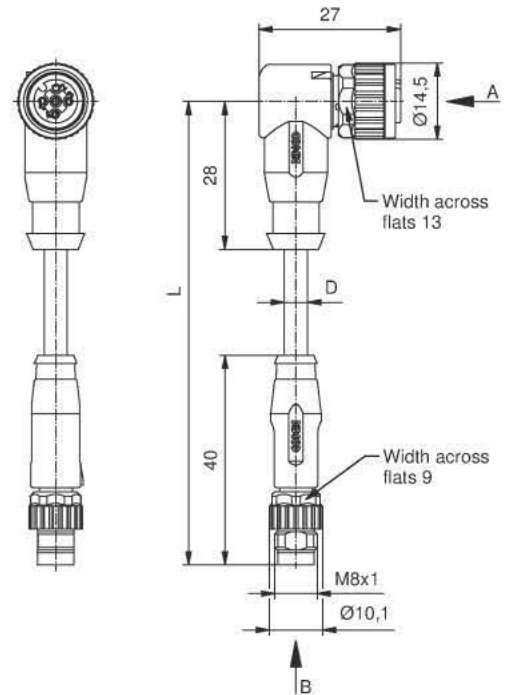
3-pos



### Contact Assignment



### Dimension



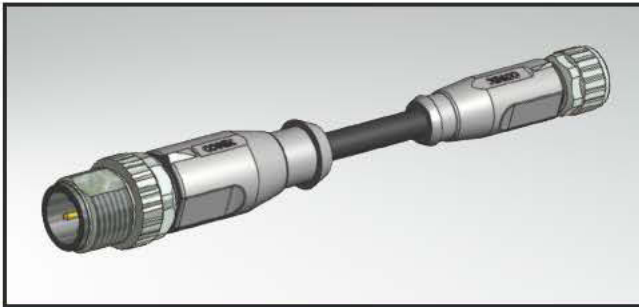
## ORDER DATA

Cable	Length / L	Description	3-pos Part-no.
PVC grey LiYY 0,25 mm <sup>2</sup>	0,3m	SAL-12-RKW3-8-RS3-0,3 / A1	43-11438
	0,6m	SAL-12-RKW3-8-RS3-0,6 / A1	43-11439
	1,5m	SAL-12-RKW3-8-RS3-1,5 / A1	43-11440
	3m	SAL-12-RKW3-8-RS3-3 / A1	43-11441
TPU UL, halogenfree black Li9Y11Y 0,25 mm <sup>2</sup>	0,3m	SAL-12-RKW3-8-RS3-0,3 / K1	43-11442
	0,6m	SAL-12-RKW3-8-RS3-0,6 / K1	43-11443
	1,5m	SAL-12-RKW3-8-RS3-1,5 / K1	43-11444
	3m	SAL-12-RKW3-8-RS3-3 / K1	43-11445

For custom length or quality levels contact factory

# SAL M12x1/M8x1 CONNECTORS

Connecting cable Male connector M12x1, axial – Female connector M8x1, axial



RoHS compliant

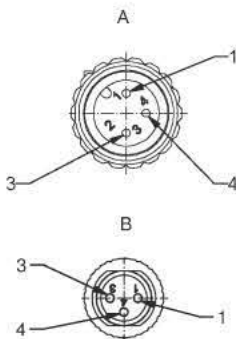
## TECHNICAL DATA

Rated voltage	3-pos 60V
Current rating	3A at +40°C
Pollution degree	3 / 2
Insulation resistance	>= 100 MΩ
Degree of protection	IP67 in mated condition
Temperature range	-30°C to +80°C
Mating cycles	>= 100

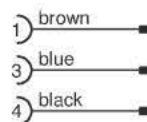
## PRODUCT DRAWING

### Pin Configuration

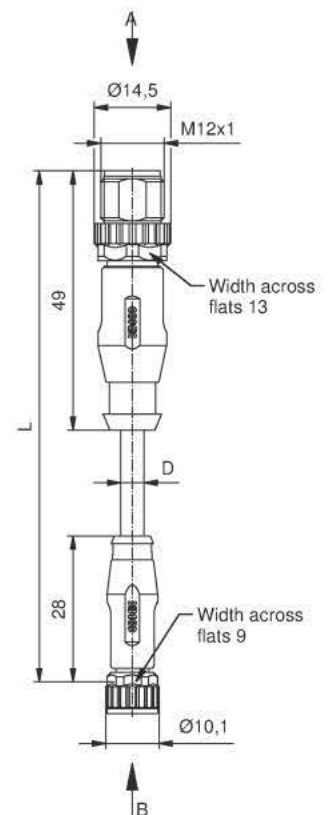
3-pos



### Contact Assignment



### Dimension



## ORDER DATA

Cable	Length / L	Description	3-pos Part-no.
PVC grey LiYY 0,25 mm <sup>2</sup>	0,3m	SAL-12-RS3-8-RK3-0,3 / A1	43-11446
	0,6m	SAL-12-RS3-8-RK3-0,6 / A1	43-11447
	1,5m	SAL-12-RS3-8-RK3-1,5 / A1	43-11448
	3m	SAL-12-RS3-8-RK3-3 / A1	43-11449
TPU UL, halogenfree black Li9Y11Y 0,25 mm <sup>2</sup>	0,3m	SAL-12-RS3-8-RK3-0,3 / K1	43-11450
	0,6m	SAL-12-RS3-8-RK3-0,6 / K1	43-11451
	1,5m	SAL-12-RS3-8-RK3-1,5 / K1	43-11452
	3m	SAL-12-RS3-8-RK3-3 / K1	43-11453

For custom length or quality levels contact factory

# SAL M12x1/M8x1 CONNECTORS

Connecting cable Male connector M12x1, axial – Female connector M8x1, angled



RoHS compliant

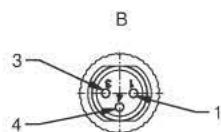
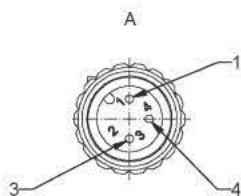
## TECHNICAL DATA

Rated voltage	3-pos 60V
Current rating	3A at +40°C
Pollution degree	3 / 2
Insulation resistance	>= 100 MΩ
Degree of protection	IP67 in mated condition
Temperature range	-30°C to +80°C
Mating cycles	>=100

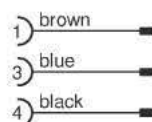
## PRODUCT DRAWING

### Pin Configuration

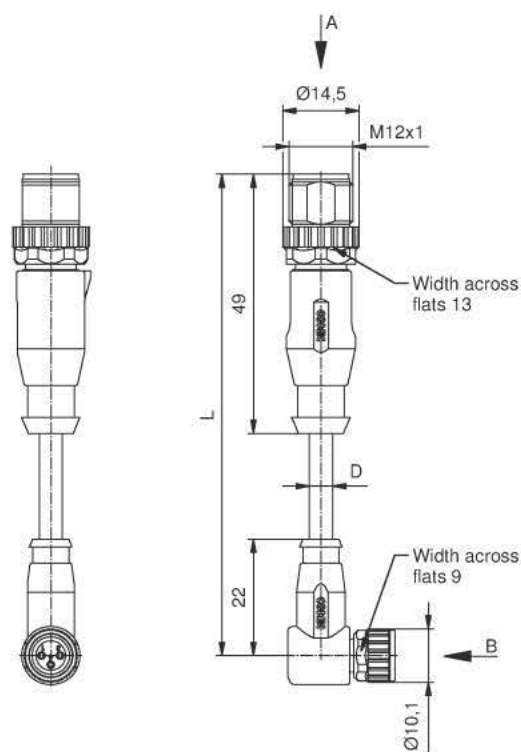
3-pos



### Contact Assignment



### Dimension



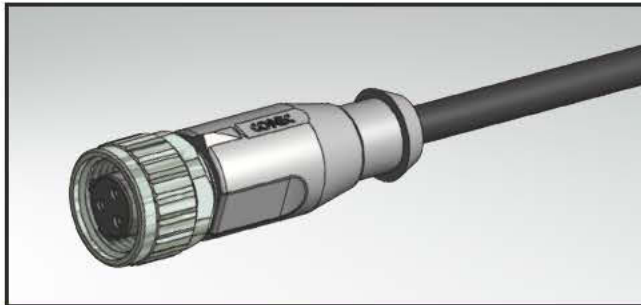
## ORDER DATA

Cable	Length / L	Description	3-pos Part-no.
PVC grey LiYY 0,25 mm <sup>2</sup>	0,3m	SAL-12-RS3-8-RKW3-0,3 / A1	43-11454
	0,6m	SAL-12-RS3-8-RKW3-0,6 / A1	43-11455
	1,5m	SAL-12-RS3-8-RKW3-1,5 / A1	43-11456
	3m	SAL-12-RS3-8-RKW3-3 / A1	43-11457
TPU UL, halogenfree black Li9Y11Y 0,25 mm <sup>2</sup>	0,3m	SAL-12-RS3-8-RKW3-0,3 / K1	43-11458
	0,6m	SAL-12-RS3-8-RKW3-0,6 / K1	43-11459
	1,5m	SAL-12-RS3-8-RKW3-1,5 / K1	43-11460
	3m	SAL-12-RS3-8-RKW3-3 / K1	43-11461

For custom length or quality levels contact factory

# SAL M12x1 CONNECTORS

Female connector, axial, C-coding



RoHS compliant

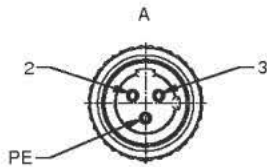
## TECHNICAL DATA

Rated voltage	2-pos+ground	3-pos+ground
	250V	250V
Current rating	4A at +40°C	
Pollution degree	3 / 2	
Insulation resistance	≥ 100 MΩ	
Degree of protection	IP67 in mated condition	
Temperature range	-30°C to +80°C	
Mating cycles	≥ 100	

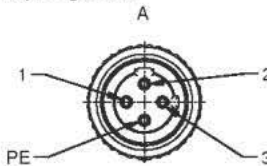
## PRODUCT DRAWING

### Pin Configuration

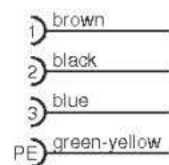
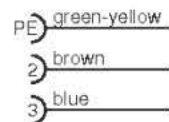
2-pos+ground



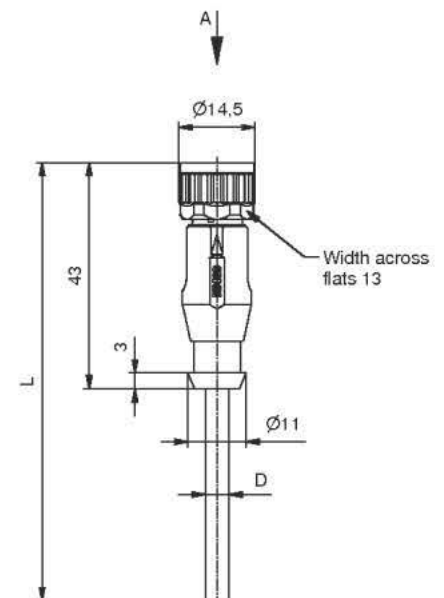
3-pos+ground



### Contact Assignment



### Dimension



## ORDER DATA

Cable	Length/L	Description	2-pos+ground Part-no.	Description	3-pos+ground Part-no.
PVC grey LiYY 0,34 mm <sup>2</sup>	2m	SAL-12C-RK2PE-2/A1	43-15297	SAL-12C-RK3PE-2/A1	43-15305
	3m	SAL-12C-RK2PE-3/A1	43-15298	SAL-12C-RK3PE-3/A1	43-15306
	5m	SAL-12C-RK2PE-5/A1	43-15299	SAL-12C-RK3PE-5/A1	43-15307
	10m	SAL-12C-RK2PE-10/A1	43-15300	SAL-12C-RK3PE-10/A1	43-15308
TPU UL, halogenfree black Li9Y11Y 0,34 mm <sup>2</sup>	2m	SAL-12C-RK2PE-2/K1	43-15301	SAL-12C-RK3PE-2/K1	43-15309
	3m	SAL-12C-RK2PE-3/K1	43-15302	SAL-12C-RK3PE-3/K1	43-15310
	5m	SAL-12C-RK2PE-5/K1	43-15303	SAL-12C-RK3PE-5/K1	43-15311
	10m	SAL-12C-RK2PE-10/K1	43-15304	SAL-12C-RK3PE-10/K1	43-15312

For custom length or quality levels contact factory

# SAL M12x1 CONNECTORS

Female connector, angled, C-coding



RoHS compliant

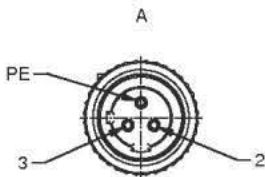
## TECHNICAL DATA

Rated voltage	2-pos+ground	3-pos+ground
	250V	250V
Current rating	4A at +40°C	
Pollution degree	3 / 2	
Insulation resistance	≥ 100 MΩ	
Degree of protection	IP67 in mated condition	
Temperature range	-30°C to +80°C	
Mating cycles	≥ 100	

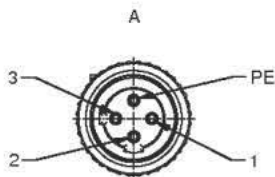
## PRODUCT DRAWING

### Pin Configuration

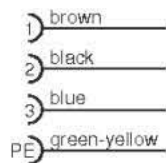
2-pos+ground



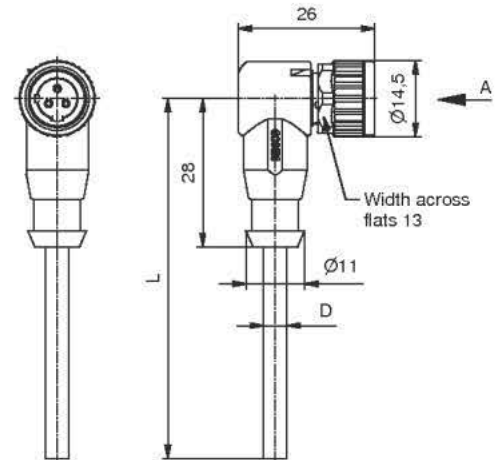
3-pos+ground



### Contact Assignment



### Dimension



## ORDER DATA

Cable	Length/L	Description	2-pos+ground Part-no.	Description	3-pos+ground Part-no.
PVC grey LiYY 0,34 mm <sup>2</sup>	2m	SAL-12C-RKW2PE-2/A1	43-15313	SAL-12C-RKW3PE-2/A1	43-15321
	3m	SAL-12C-RKW2PE-3/A1	43-15314	SAL-12C-RKW3PE-3/A1	43-15322
	5m	SAL-12C-RKW2PE-5/A1	43-15315	SAL-12C-RKW3PE-5/A1	43-15323
	10m	SAL-12C-RKW2PE-10/A1	43-15316	SAL-12C-RKW3PE-10/A1	43-15324
TPU UL, halogenfree black Li9Y11Y 0,34 mm <sup>2</sup>	2m	SAL-12C-RKW2PE-2/K1	43-15317	SAL-12C-RKW3PE-2/K1	43-15325
	3m	SAL-12C-RKW2PE-3/K1	43-15318	SAL-12C-RKW3PE-3/K1	43-15326
	5m	SAL-12C-RKW2PE-5/K1	43-15319	SAL-12C-RKW3PE-5/K1	43-15327
	10m	SAL-12C-RKW2PE-10/K1	43-15320	SAL-12C-RKW3PE-10/K1	43-15328

For custom length or quality levels contact factory

# SAL M12x1 CONNECTORS

Male connector, axial, C-coding



RoHS compliant

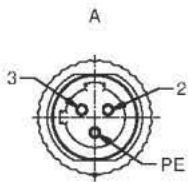
## TECHNICAL DATA

Rated voltage	2-pos+ground 250V
Current rating	4A at +40°C
Pollution degree	3 / 2
Insulation resistance	>= 100 MΩ
Degree of protection	IP67 in mated condition
Temperature range	-30°C to +80°C
Mating cycles	>= 100

## PRODUCT DRAWING

### Pin Configuration

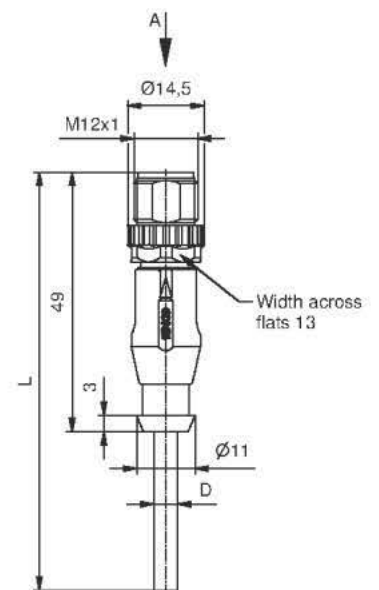
2-pos+ground



### Contact Assignment

PE	green-yellow
2	brown
3	blue

### Dimension



## ORDER DATA

Cable	Length / L	Description	2-pos+ground Part-no.
PVC grey LiYY 0,34 mm <sup>2</sup>	2m	SAL-12C-RS2PE-2/A1	43-15261
	3m	SAL-12C-RS2PE-3/A1	43-15262
	5m	SAL-12C-RS2PE-5/A1	43-15263
	10m	SAL-12C-RS2PE-10/A1	43-15264
TPU UL, halogenfree black Li9Y11Y 0,34 mm <sup>2</sup>	2m	SAL-12C-RS2PE-2/K1	43-15265
	3m	SAL-12C-RS2PE-3/K1	43-15266
	5m	SAL-12C-RS2PE-5/K1	43-15267
	10m	SAL-12C-RS2PE-10/K1	43-15268

For custom length or quality levels contact factory

# SAL M12x1 CONNECTORS

Male connector, angled, C-coding



RoHS compliant

## TECHNICAL DATA

Rated voltage	2-pos+ground 250V
Current rating	4A at +40°C
Pollution degree	3 / 2
Insulation resistance	>= 100 MΩ
Degree of protection	IP67 in mated condition
Temperature range	-30°C to +80°C
Mating cycles	>=100

## PRODUCT DRAWING

### Pin Configuration

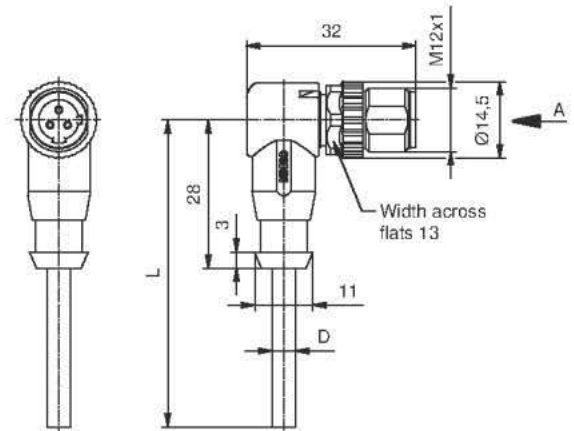
2-pos+ground



### Contact Assignment

PE	green-yellow
2	brown
3	blue

### Dimension



## ORDER DATA

Cable	Length / L	Description	2-pos+ground Part-no.
PVC grey LiYY 0,34 mm <sup>2</sup>	2m	SAL-12C RWS2PE-2/A1/A1090	43-15269
	3m	SAL-12C RWS2PE-3/A1/A1090	43-15270
	5m	SAL-12C RWS2PE-5/A1/A1090	43-15271
	10m	SAL-12C RWS2PE-10/A1/A1090	43-15272
TPU UL, halogenfree black Li9Y11Y 0,34 mm <sup>2</sup>	2m	SAL-12C RWS2PE-2/K1/A1090	43-15273
	3m	SAL-12C RWS2PE-3/K1/A1090	43-15274
	5m	SAL-12C RWS2PE-5/K1/A1090	43-15275
	10m	SAL-12C RWS2PE-10/K1/A1090	43-15276

For custom length or quality levels contact factory

# SAL 7/8" CONNECTORS

Female connector, axial



RoHS compliant – UL Listed, File no.: E331608

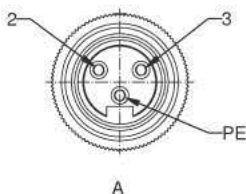
## TECHNICAL DATA

Rated voltage	2-pos+ground 300V	4-pos 300V	4-pos+ground 300V
Current rating	8A at +40°C		
Pollution degree	3 / 2		
Insulation resistance	≥ 100 MΩ		
Degree of protection	IP68 in mated condition		
Temperature range	-30°C to +80°C		
Mating cycles	≥ 100		

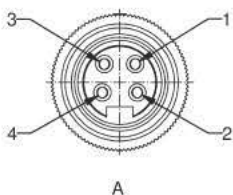
## PRODUCT DRAWING

### Pin Configuration

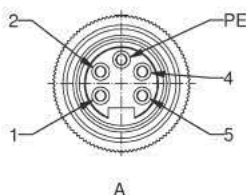
2-pos+ground



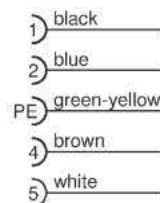
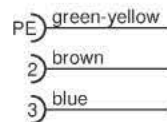
4-pos



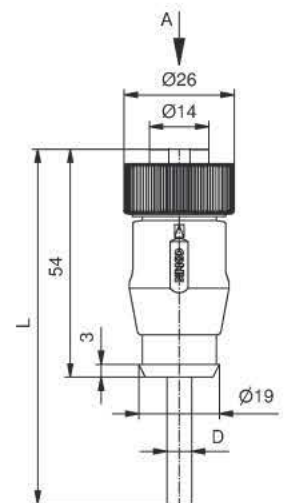
4-pos+ground



### Contact Assignment



### Dimension



## ORDER DATA

Cable	Length/L	Description	2-pos+ground Part-no.	Description	4-pos Part-no.	Description	4-pos+ground Part-no.
PVC UL grey LiYY 0,75 mm <sup>2</sup>	2m	SAL-7/8-RK2PE-2/A6	41-01000	SAL-7/8-RK4-2/A3	41-01032	SAL-7/8-RK4PE-2/A3	41-01064
	3m	SAL-7/8-RK2PE-3/A6	41-01001	SAL-7/8-RK4-3/A3	41-01033	SAL-7/8-RK4PE-3/A3	41-01065
	5m	SAL-7/8-RK2PE-5/A6	41-01002	SAL-7/8-RK4-5/A3	41-01034	SAL-7/8-RK4PE-5/A3	41-01066
	10m	SAL-7/8-RK2PE-10/A6	41-01003	SAL-7/8-RK4-10/A3	41-01035	SAL-7/8-RK4PE-10/A3	41-01067
TPU UL, halogenfree, highflexible black Li9Y11Y 0,75 mm <sup>2</sup>	2m	SAL-7/8-RK2PE-2/K0	41-01004				
	3m	SAL-7/8-RK2PE-3/K0	41-01005				
	5m	SAL-7/8-RK2PE-5/K0	41-01006				
	10m	SAL-7/8-RK2PE-10/K0	41-01007				
TPU UL, halogenfree black Li9Y11Y 0,75 mm <sup>2</sup>	2m			SAL-7/8-RK4-2/K1	41-01036	SAL-7/8-RK4PE-2/K1	41-01068
	3m			SAL-7/8-RK4-3/K1	41-01037	SAL-7/8-RK4PE-3/K1	41-01069
	5m			SAL-7/8-RK4-5/K1	41-01038	SAL-7/8-RK4PE-5/K1	41-01070
	10m			SAL-7/8-RK4-10/K1	41-01039	SAL-7/8-RK4PE-10/K1	41-01071

For custom length or quality levels contact factory

# SAL 7/8" CONNECTORS

Female connector, axial



RoHS compliant – UL Listed, File no.: E331608

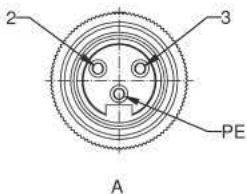
## TECHNICAL DATA

Rated voltage	2-pos+ground	4-pos	4-pos+ground
	300V	300V	300V
Current rating	10A at +40°C		
Pollution degree	3 / 2		
Insulation resistance	≥ 100 MΩ		
Degree of protection	IP68 in mated condition		
Temperature range	-30°C to +80°C		
Mating cycles	≥ 100		

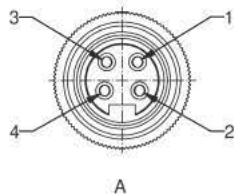
## PRODUCT DRAWING

### Pin Configuration

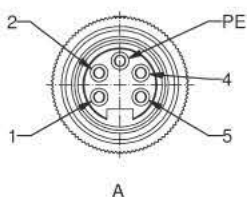
2-pos+ground



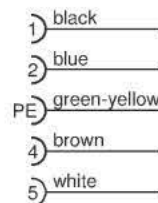
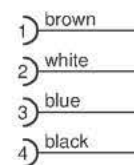
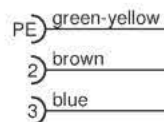
4-pos



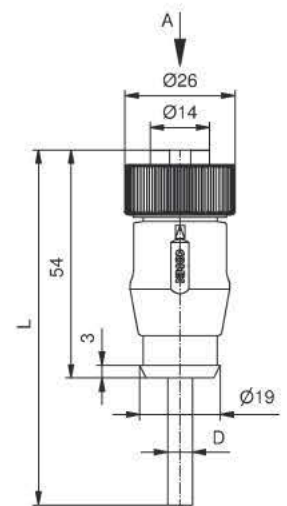
4-pos+ground



### Contact Assignment



### Dimension



## ORDER DATA

Cable	Length/L	Description	2-pos+ground Part-no.	Description	4-pos Part-no.	Description	4-pos+ground Part-no.
PVC UL grey LiYY 1,5 mm <sup>2</sup>	2m	SAL-7/8-RK2PE-2/A6/150	41-01097	SAL-7/8-RK4-2/A3/150	41-01129	SAL-7/8-RK4PE-2/A3/150	41-01161
	3m	SAL-7/8-RK2PE-3/A6/150	41-01098	SAL-7/8-RK4-3/A3/150	41-01130	SAL-7/8-RK4PE-3/A3/150	41-01162
	5m	SAL-7/8-RK2PE-5/A6/150	41-01099	SAL-7/8-RK4-5/A3/150	41-01131	SAL-7/8-RK4PE-5/A3/150	41-01163
	10m	SAL-7/8-RK2PE-10/A6/150	41-01100	SAL-7/8-RK4-10/A3/150	41-01132	SAL-7/8-RK4PE-10/A3/150	41-01164
TPU UL, halogenfree, highflexible black Li9Y11Y 1,5 mm <sup>2</sup>	2m	SAL-7/8-RK2PE-2/K0/150	41-01101				
	3m	SAL-7/8-RK2PE-3/K0/150	41-01102				
	5m	SAL-7/8-RK2PE-5/K0/150	41-01103				
	10m	SAL-7/8-RK2PE-10/K0/150	41-01104				
TPU UL, halogenfree black Li9Y11Y 1,5 mm <sup>2</sup>	2m			SAL-7/8-RK4-2/K1/150	41-01133	SAL-7/8-RK4PE-2/K1/150	41-01165
	3m			SAL-7/8-RK4-3/K1/150	41-01134	SAL-7/8-RK4PE-3/K1/150	41-01166
	5m			SAL-7/8-RK4-5/K1/150	41-01135	SAL-7/8-RK4PE-5/K1/150	41-01167
	10m			SAL-7/8-RK4-10/K1/150	41-01136	SAL-7/8-RK4PE-10/K1/150	41-01168

For custom length or quality levels contact factory

# SAL 7/8" CONNECTORS

Male connector, axial



RoHS compliant – UL Listed, File no.: E331608

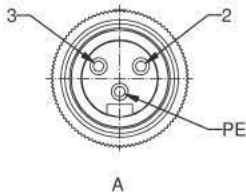
## TECHNICAL DATA

Rated voltage	2-pos+ground	4-pos	4-pos+ground
	300V	300V	300V
Current rating	8A at +40°C		
Pollution degree	3 / 2		
Insulation resistance	≥ 100 MΩ		
Degree of protection	IP68 in mated condition		
Temperature range	-30°C to +80°C		
Mating cycles	≥ 100		

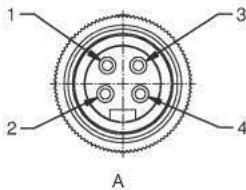
## PRODUCT DRAWING

### Pin Configuration

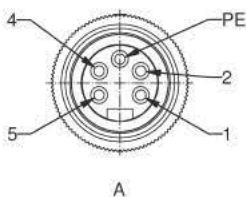
2-pos+ground



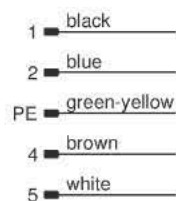
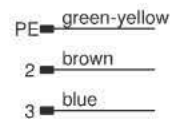
4-pos



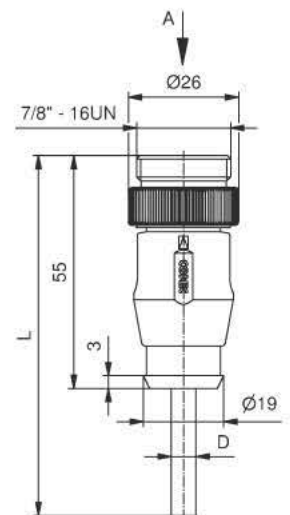
4-pos+ground



### Contact Assignment



### Dimension



## ORDER DATA

Cable	Length/L	Description	2-pos+ground Part-no.	Description	4-pos Part-no.	Description	4-pos+ground Part-no.
PVC UL grey LiYY 0,75 mm <sup>2</sup>	2m	SAL-7 / 8-RS2PE-2 / A6	41-01008	SAL-7 / 8-RS4-2 / A3	41-01040	SAL-7 / 8-RS4PE-2 / A3	41-01072
	3m	SAL-7 / 8-RS2PE-3 / A6	41-01009	SAL-7 / 8-RS4-3 / A3	41-01041	SAL-7 / 8-RS4PE-3 / A3	41-01073
	5m	SAL-7 / 8-RS2PE-5 / A6	41-01010	SAL-7 / 8-RS4-5 / A3	41-01042	SAL-7 / 8-RS4PE-5 / A3	41-01074
	10m	SAL-7 / 8-RS2PE-10 / A6	41-01011	SAL-7 / 8-RS4-10 / A3	41-01043	SAL-7 / 8-RS4PE-10 / A3	41-01075
TPU UL, halogenfree, highflexible black Li9Y11Y 0,75 mm <sup>2</sup>	2m	SAL-7 / 8-RS2PE-2 / K0	41-01012				
	3m	SAL-7 / 8-RS2PE-3 / K0	41-01013				
	5m	SAL-7 / 8-RS2PE-5 / K0	41-01014				
	10m	SAL-7 / 8-RS2PE-10 / K0	41-01015				
TPU UL, halogenfree black Li9Y11Y 0,75 mm <sup>2</sup>	2m			SAL-7 / 8-RS4-2 / K1	41-01044	SAL-7 / 8-RS4PE-2 / K1	41-01076
	3m			SAL-7 / 8-RS4-3 / K1	41-01045	SAL-7 / 8-RS4PE-3 / K1	41-01077
	5m			SAL-7 / 8-RS4-5 / K1	41-01046	SAL-7 / 8-RS4PE-5 / K1	41-01078
	10m			SAL-7 / 8-RS4-10 / K1	41-01047	SAL-7 / 8-RS4PE-10 / K1	41-01079

For custom length or quality levels contact factory

# SAL 7/8" CONNECTORS

Male connector, axial



RoHS compliant – UL Listed, File no.: E331608

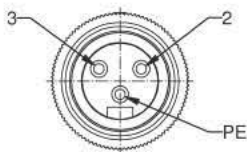
## TECHNICAL DATA

Rated voltage	2-pos+ground	4-pos	4-pos+ground
	300V	300V	300V
Current rating	10A at +40°C		
Pollution degree	3 / 2		
Insulation resistance	≥ 100 MΩ		
Degree of protection	IP68 in mated condition		
Temperature range	-30°C to +80°C		
Mating cycles	≥ 100		

## PRODUCT DRAWING

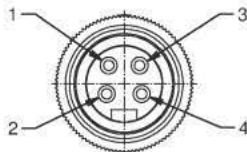
### Pin Configuration

2-pos+ground



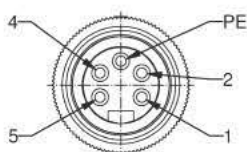
A

4-pos



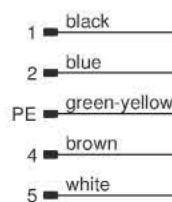
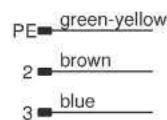
A

4-pos+ground

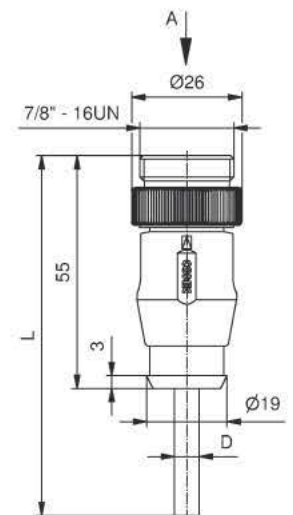


A

### Contact Assignment



### Dimension



## ORDER DATA

Cable	Length/L	Description	2-pos+ground Part-no.	Description	4-pos Part-no.	Description	4-pos+ground Part-no.
PVC UL grey LiYY 1,5 mm <sup>2</sup>	2m	SAL-7/8-RS2PE-2/A6/150	41-01105	SAL-7/8-RS4-2/A3/150	41-01137	SAL-7/8-RS4PE-2/A3/150	41-01169
	3m	SAL-7/8-RS2PE-3/A6/150	41-01106	SAL-7/8-RS4-3/A3/150	41-01138	SAL-7/8-RS4PE-3/A3/150	41-01170
	5m	SAL-7/8-RS2PE-5/A6/150	41-01107	SAL-7/8-RS4-5/A3/150	41-01139	SAL-7/8-RS4PE-5/A3/150	41-01171
	10m	SAL-7/8-RS2PE-10/A6/150	41-01108	SAL-7/8-RS4-10/A3/150	41-01140	SAL-7/8-RS4PE-10/A3/150	41-01172
TPU UL, halogenfree, highflexible black Li9Y11Y 1,5 mm <sup>2</sup>	2m	SAL-7/8-RS2PE-2/K0/150	41-01109				
	3m	SAL-7/8-RS2PE-3/K0/150	41-01110				
	5m	SAL-7/8-RS2PE-5/K0/150	41-01111				
	10m	SAL-7/8-RS2PE-10/K0/150	41-01112				
TPU UL, halogenfree black Li9Y11Y 1,5 mm <sup>2</sup>	2m			SAL-7/8-RS4-2/K1/150	41-01141	SAL-7/8-RS4PE-2/K1/150	41-01173
	3m			SAL-7/8-RS4-3/K1/150	41-01142	SAL-7/8-RS4PE-3/K1/150	41-01174
	5m			SAL-7/8-RS4-5/K1/150	41-01143	SAL-7/8-RS4PE-5/K1/150	41-01175
	10m			SAL-7/8-RS4-10/K1/150	41-01144	SAL-7/8-RS4PE-10/K1/150	41-01176

For custom length or quality levels contact factory

# SAL 7/8" CONNECTORS

## Female connector, angled



RoHS compliant – UL Listed, File no.: E331608

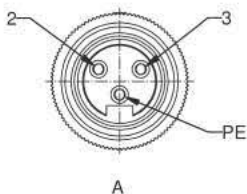
### TECHNICAL DATA

Rated voltage	2-pos+ground	4-pos	4-pos+ground
	300V	300V	300V
Current rating	8A at +40°C		
Pollution degree	3 / 2		
Insulation resistance	≥ 100 MΩ		
Degree of protection	IP68 in mated condition		
Temperature range	-30°C to +80°C		
Mating cycles	≥ 100		

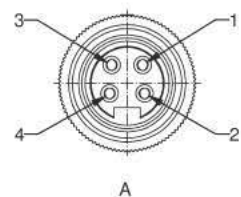
### PRODUCT DRAWING

#### Pin Configuration

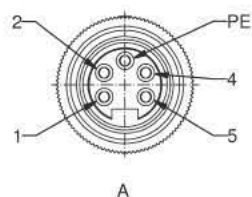
##### 2-pos+ground



##### 4-pos



##### 4-pos+ground



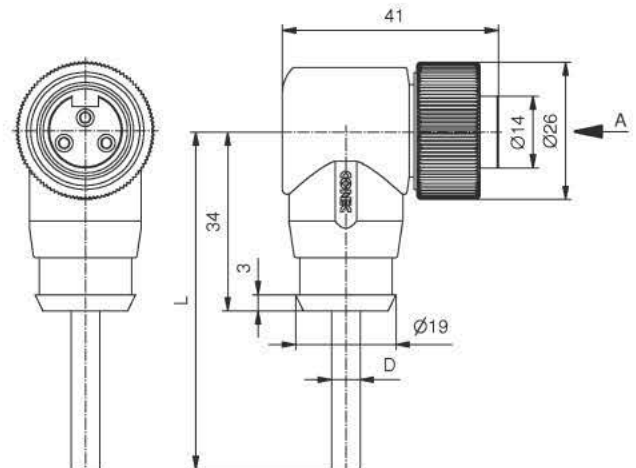
#### Contact Assignment

- PE green-yellow  
2 brown  
3 blue

- 1 brown  
2 white  
3 blue  
4 black

- 1 black  
2 blue  
PE green-yellow  
4 brown  
5 white

#### Dimension



### ORDER DATA

Cable	Length/L	Description	2-pos+ground Part-no.	Description	4-pos Part-no.	Description	4-pos+ground Part-no.
PVC UL grey LiYY 0,75 mm <sup>2</sup>	2m	SAL-7/8-RKW2PE-2/A6	41-01016	SAL-7/8-RKW4-2/A3	41-01048	SAL-7/8-RKW4PE-2/A3	41-01080
	3m	SAL-7/8-RKW2PE-3/A6	41-01017	SAL-7/8-RKW4-3/A3	41-01049	SAL-7/8-RKW4PE-3/A3	41-01081
	5m	SAL-7/8-RKW2PE-5/A6	41-01018	SAL-7/8-RKW4-5/A3	41-01050	SAL-7/8-RKW4PE-5/A3	41-01082
	10m	SAL-7/8-RKW2PE-10/A6	41-01019	SAL-7/8-RKW4-10/A3	41-01051	SAL-7/8-RKW4PE-10/A3	41-01083
TPU UL, halogenfree, highflexible black Li9Y11Y 0,75 mm <sup>2</sup>	2m	SAL-7/8-RKW2PE-2/K0	41-01020				
	3m	SAL-7/8-RKW2PE-3/K0	41-01021				
	5m	SAL-7/8-RKW2PE-5/K0	41-01022				
	10m	SAL-7/8-RKW2PE-10/K0	41-01023				
TPU UL, halogenfree black Li9Y11Y 0,75 mm <sup>2</sup>	2m			SAL-7/8-RKW4-2/K1	41-01052	SAL-7/8-RKW4PE-2/K1	41-01084
	3m			SAL-7/8-RKW4-3/K1	41-01053	SAL-7/8-RKW4PE-3/K1	41-01085
	5m			SAL-7/8-RKW4-5/K1	41-01054	SAL-7/8-RKW4PE-5/K1	41-01086
	10m			SAL-7/8-RKW4-10/K1	41-01055	SAL-7/8-RKW4PE-10/K1	41-01087

For custom length or quality levels contact factory

# SAL 7/8" CONNECTORS

## Female connector, angled



RoHS compliant – UL Listed, File no.: E331608

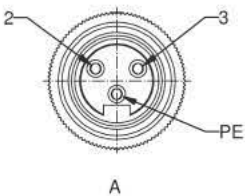
### TECHNICAL DATA

Rated voltage	2-pos+ground	4-pos	4-pos+ground
	300V	300V	300V
Current rating	10A at +40°C		
Pollution degree	3 / 2		
Insulation resistance	≥ 100 MΩ		
Degree of protection	IP68 in mated condition		
Temperature range	-30°C to +80°C		
Mating cycles	≥ 100		

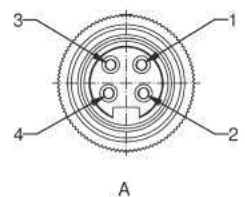
### PRODUCT DRAWING

#### Pin Configuration

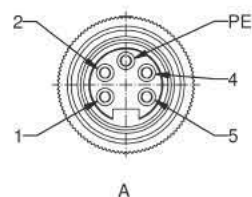
##### 2-pos+ground



##### 4-pos



##### 4-pos+ground

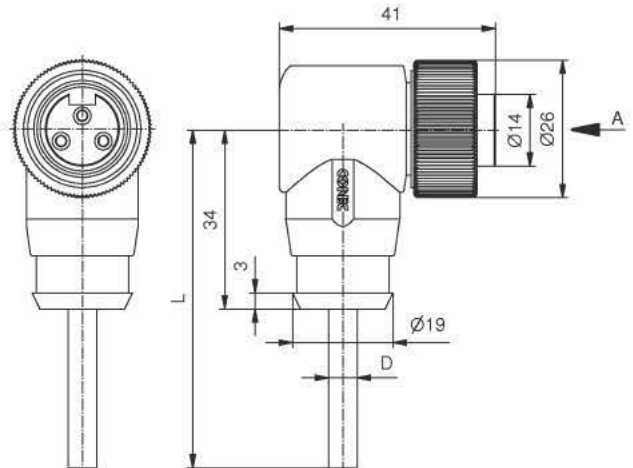


#### Contact Assignment

- PE) green-yellow
- 2) brown
- 3) blue

- 1) brown
- 2) white
- 3) blue
- 4) black

- 1) black
- 2) blue
- PE) green-yellow
- 4) brown
- 5) white



### ORDER DATA

Cable	Length/L	Description	2-pos+ground Part-no.	Description	4-pos Part-no.	Description	4-pos+ground Part-no.
PVC UL grey LiYY 1,5 mm <sup>2</sup>	2m	SAL7/8-RKW2PE-2/A6/150	41-01113	SAL7/8-RKW4-2/A3/150	41-01145	SAL7/8-RKW4PE-2/A3/150	41-01177
	3m	SAL7/8-RKW2PE-3/A6/150	41-01114	SAL7/8-RKW4-3/A3/150	41-01146	SAL7/8-RKW4PE-3/A3/150	41-01178
	5m	SAL7/8-RKW2PE-5/A6/150	41-01115	SAL7/8-RKW4-5/A3/150	41-01147	SAL7/8-RKW4PE-5/A3/150	41-01179
	10m	SAL7/8-RKW2PE-10/A6/150	41-01116	SAL7/8-RKW4-10/A3/150	41-01148	SAL7/8-RKW4PE-10/A3/150	41-01180
TPU UL, halogenfree, highflexible black Li9Y11Y 1,5 mm <sup>2</sup>	2m	SAL7/8-RKW2PE-2/KO/150	41-01117				
	3m	SAL7/8-RKW2PE-3/KO/150	41-01118				
	5m	SAL7/8-RKW2PE-5/KO/150	41-01119				
	10m	SAL7/8-RKW2PE-10/KO/150	41-01120				
TPU UL, halogenfree black Li9Y11Y 1,5 mm <sup>2</sup>	2m			SAL7/8-RKW4-2/K1/150	41-01149	SAL7/8-RKW4PE-2/K1/150	41-01181
	3m			SAL7/8-RKW4-3/K1/150	41-01150	SAL7/8-RKW4PE-3/K1/150	41-01182
	5m			SAL7/8-RKW4-5/K1/150	41-01151	SAL7/8-RKW4PE-5/K1/150	41-01183
	10m			SAL7/8-RKW4-10/K1/150	41-01152	SAL7/8-RKW4PE-10/K1/150	41-01184

For custom length or quality levels contact factory

# SAL 7/8" CONNECTORS

## Male connector, angled



RoHS compliant – UL Listed, File no.: E331608

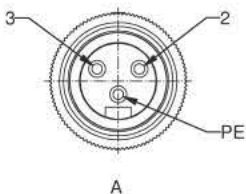
### TECHNICAL DATA

Rated voltage	2-pos+ground	4-pos	4-pos+ground
	300V	300V	300V
Current rating	8A at +40°C		
Pollution degree	3 / 2		
Insulation resistance	≥ 100 MΩ		
Degree of protection	IP68 in mated condition		
Temperature range	-30°C to +80°C		
Mating cycles	≥ 100		

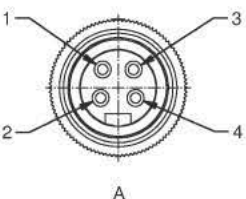
### PRODUCT DRAWING

#### Pin Configuration

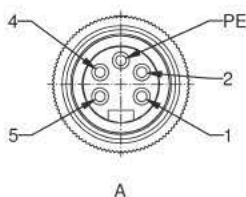
##### 2-pos+ground



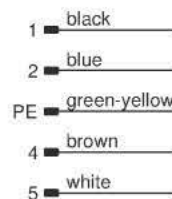
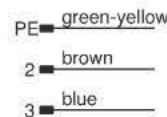
##### 4-pos



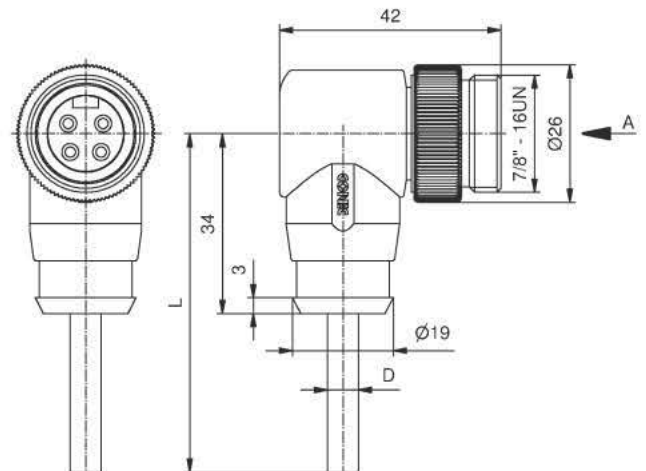
##### 4-pos+ground



#### Contact Assignment



#### Dimension



### ORDER DATA

Cable	Length/L	Description	2-pos+ground Part-no.	Description	4-pos Part-no.	Description	4-pos+ground Part-no.
PVC UL grey LiYY 0,75 mm <sup>2</sup>	2m	SAL-7/8-RSW2PE-2/A6	41-01024	SAL-7/8-RSW4-2/A3	41-01056	SAL-7/8-RSW4PE-2/A3	41-01088
	3m	SAL-7/8-RSW2PE-3/A6	41-01025	SAL-7/8-RSW4-3/A3	41-01057	SAL-7/8-RSW4PE-3/A3	41-01089
	5m	SAL-7/8-RSW2PE-5/A6	41-01026	SAL-7/8-RSW4-5/A3	41-01058	SAL-7/8-RSW4PE-5/A3	41-01090
	10m	SAL-7/8-RSW2PE-10/A6	41-01027	SAL-7/8-RSW4-10/A3	41-01059	SAL-7/8-RSW4PE-10/A3	41-01091
TPU UL, halogenfree, highflexible black Li9Y11Y 0,75 mm <sup>2</sup>	2m	SAL-7/8-RSW2PE-2/KO	41-01028				
	3m	SAL-7/8-RSW2PE-3/KO	41-01029				
	5m	SAL-7/8-RSW2PE-5/KO	41-01030				
	10m	SAL-7/8-RSW2PE-10/KO	41-01031				
TPU UL, halogenfree black Li9Y11Y 0,75 mm <sup>2</sup>	2m			SAL-7/8-RSW4-2/K1	41-01060	SAL-7/8-RSW4PE-2/K1	41-01092
	3m			SAL-7/8-RSW4-3/K1	41-01061	SAL-7/8-RSW4PE-3/K1	41-01093
	5m			SAL-7/8-RSW4-5/K1	41-01062	SAL-7/8-RSW4PE-5/K1	41-01094
	10m			SAL-7/8-RSW4-10/K1	41-01063	SAL-7/8-RSW4PE-10/K1	41-01095

For custom length or quality levels contact factory

# SAL 7/8" CONNECTORS

## Male connector, angled



RoHS compliant – UL Listed, File no.: E331608

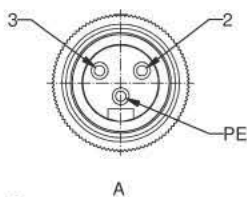
### TECHNICAL DATA

Rated voltage	2-pos+ground	4-pos	4-pos+ground
	300V	300V	300V
Current rating	10A at +40°C		
Pollution degree	3 / 2		
Insulation resistance	≥ 100 MΩ		
Degree of protection	IP68 in mated condition		
Temperature range	-30°C to +80°C		
Mating cycles	≥ 100		

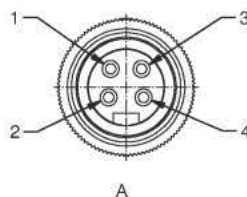
### PRODUCT DRAWING

#### Pin Configuration

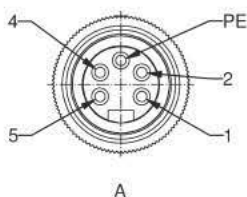
##### 2-pos+ground



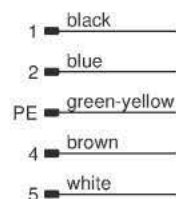
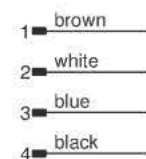
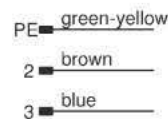
##### 4-pos



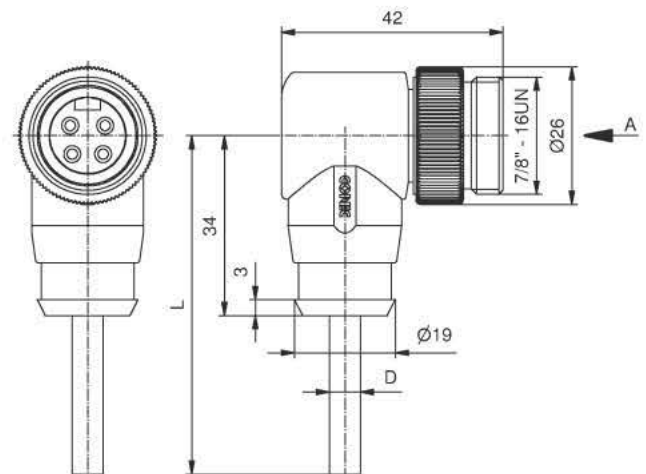
##### 4-pos+ground



#### Contact Assignment



#### Dimension



### ORDER DATA

Cable	Length/L	Description	2-pos+ground Part-no.	Description	4-pos Part-no.	Description	4-pos+ground Part-no.
PVC UL grey LiYY 1,5 mm <sup>2</sup>	2m	SAL-7/8-RSW2PE-2/A6/150	41-01121	SAL-7/8-RSW4-2/A3/150	41-01153	SAL-7/8-RSW4PE-2/A3/150	41-01185
	3m	SAL-7/8-RSW2PE-3/A6/150	41-01122	SAL-7/8-RSW4-3/A3/150	41-01154	SAL-7/8-RSW4PE-3/A3/150	41-01186
	5m	SAL-7/8-RSW2PE-5/A6/150	41-01123	SAL-7/8-RSW4-5/A3/150	41-01155	SAL-7/8-RSW4PE-5/A3/150	41-01187
	10m	SAL-7/8-RSW2PE-10/A6/150	41-01124	SAL-7/8-RSW4-10/A3/150	41-01156	SAL-7/8-RSW4PE-10/A3/150	41-01188
TPU UL, halogenfree, highflexible black Li9Y11Y 1,5 mm <sup>2</sup>	2m	SAL-7/8-RSW2PE-2/KO/150	41-01125				
	3m	SAL-7/8-RSW2PE-3/KO/150	41-01126				
	5m	SAL-7/8-RSW2PE-5/KO/150	41-01127				
	10m	SAL-7/8-RSW2PE-10/KO/150	41-01128				
TPU UL, halogenfree black Li9Y11Y 1,5 mm <sup>2</sup>	2m			SAL-7/8-RSW4-2/K1/150	41-01157	SAL-7/8-RSW4PE-2/K1/150	41-01189
	3m			SAL-7/8-RSW4-3/K1/150	41-01158	SAL-7/8-RSW4PE-3/K1/150	41-01190
	5m			SAL-7/8-RSW4-5/K1/150	41-01159	SAL-7/8-RSW4PE-5/K1/150	41-01191
	10m			SAL-7/8-RSW4-10/K1/150	41-01160	SAL-7/8-RSW4PE-10/K1/150	41-01192

For custom length or quality levels contact factory

# SAL 7/8" CONNECTORS

Connecting cable Female connector, axial – Male connector, axial



RoHS compliant – UL Listed, File no.: E331608

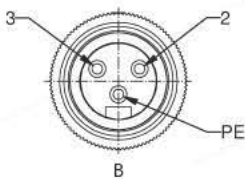
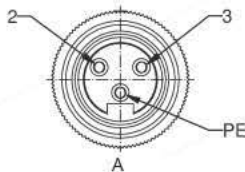
## TECHNICAL DATA

Rated voltage	2-pos+ground	4-pos
	300V	300V
Current rating	8A at +40°C	
Pollution degree	3 / 2	
Insulation resistance	≥ 100 MΩ	
Degree of protection	IP68 in mated condition	
Temperature range	-30°C to +80°C	
Mating cycles	≥ 100	

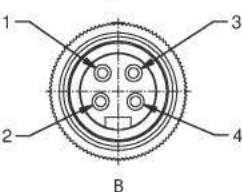
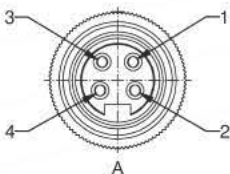
## PRODUCT DRAWING

### Pin Configuration

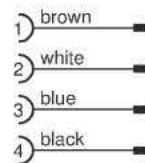
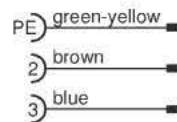
2-pos+ground



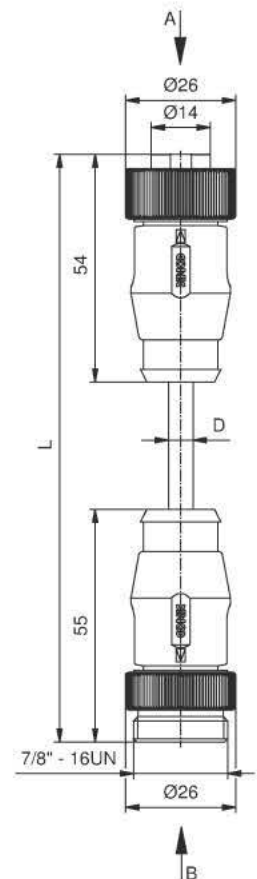
4-pos



### Contact Assignment



### Dimension



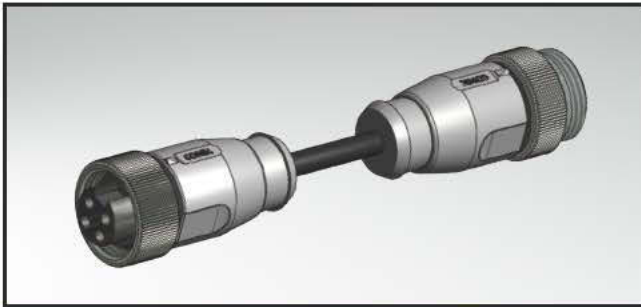
## ORDER DATA

Cable	Length/L	Description	2-pos+ground Part-no.	Description	4-pos Part-no.
PVC UL grey LiYY 0,75 mm <sup>2</sup>	0,6m	SAL-7 / 8-RK2PE-RS2PE-0,6 / A6	41-01193	SAL-7 / 8-RK4-RS4-0,6 / A3	41-01209
	1m	SAL-7 / 8-RK2PE-RS2PE-1 / A6	41-01194	SAL-7 / 8-RK4-RS4-1 / A3	41-01210
	1,5m	SAL-7 / 8-RK2PE-RS2PE-1,5 / A6	41-01195	SAL-7 / 8-RK4-RS4-1,5 / A3	41-01211
	2m	SAL-7 / 8-RK2PE-RS2PE-2 / A6	41-01196	SAL-7 / 8-RK4-RS4-2 / A3	41-01212
TPU UL, halogenfree, highflexible black Li9Y11Y 0,75 mm <sup>2</sup>	0,6m	SAL-7 / 8-RK2PE-RS2PE-0,6 / K0	41-01197		
	1m	SAL-7 / 8-RK2PE-RS2PE-1 / K0	41-01198		
	1,5m	SAL-7 / 8-RK2PE-RS2PE-1,5 / K0	41-01199		
	2m	SAL-7 / 8-RK2PE-RS2PE-2 / K0	41-01200		
TPU UL, halogenfree black Li9Y11Y 0,75 mm <sup>2</sup>	0,6m			SAL-7 / 8-RK4-RS4-0,6 / K1	41-01213
	1m			SAL-7 / 8-RK4-RS4-1 / K1	41-01214
	1,5m			SAL-7 / 8-RK4-RS4-1,5 / K1	41-01215
	2m			SAL-7 / 8-RK4-RS4-2 / K1	41-01216

For custom length or quality levels contact factory

# SAL 7/8" CONNECTORS

Connecting cable Female connector, axial – Male connector, axial



RoHS compliant – UL Listed, File no.: E331608

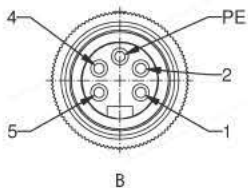
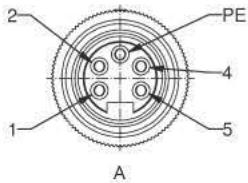
## TECHNICAL DATA

Rated voltage	4-pos+ground 300V
Current rating	8A at +40°C
Pollution degree	3 / 2
Insulation resistance	>= 100 MΩ
Degree of protection	IP68 in mated condition
Temperature range	-30°C to +80°C
Mating cycles	>=100

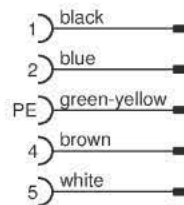
## PRODUCT DRAWING

### Pin Configuration

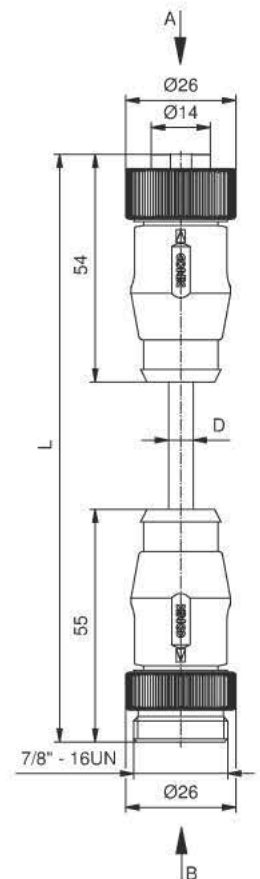
4-pos+ground



### Contact Assignment



### Dimension



## ORDER DATA

Cable	Length / L	Description	4-pos+ground Part-no.
PVC UL grey LiYY 0,75 mm <sup>2</sup>	0,6m	SAL-7 / 8-RK4PE-RS4PE-0,6 / A3	41-01225
	1m	SAL-7 / 8-RK4PE-RS4PE-1 / A3	41-01226
	1,5m	SAL-7 / 8-RK4PE-RS4PE-1,5 / A3	41-01227
	2m	SAL-7 / 8-RK4PE-RS4PE-2 / A3	41-01228
TPU UL, halogenfree black Li9Y11Y 0,75 mm <sup>2</sup>	0,6m	SAL-7 / 8-RK4PE-RS4PE-0,6 / K1	41-01229
	1m	SAL-7 / 8-RK4PE-RS4PE-1 / K1	41-01230
	1,5m	SAL-7 / 8-RK4PE-RS4PE-1,5 / K1	41-01231
	2m	SAL-7 / 8-RK4PE-RS4PE-2 / K1	41-01232

For custom length or quality levels contact factory

# SAL 7/8" CONNECTORS

Connecting cable Female connector, axial – Male connector, axial



RoHS compliant – UL Listed, File no.: E331608

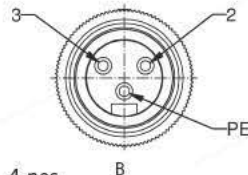
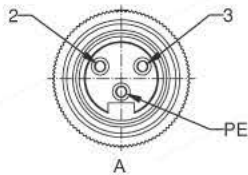
## TECHNICAL DATA

Rated voltage	2-pos+ground	4-pos
	300V	300V
Current rating	10A at +40°C	
Pollution degree	3 / 2	
Insulation resistance	≥ 100 MΩ	
Degree of protection	IP68 in mated condition	
Temperature range	-30°C to +80°C	
Mating cycles	≥ 100	

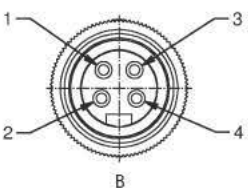
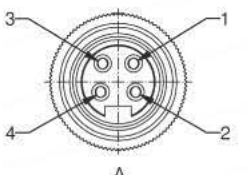
## PRODUCT DRAWING

### Pin Configuration

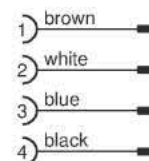
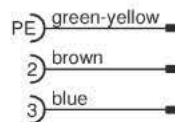
2-pos+ground



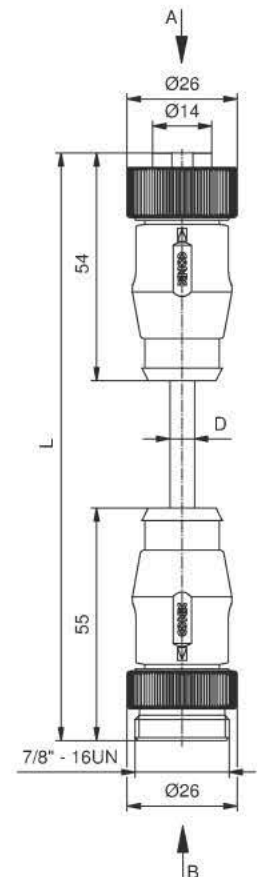
4-pos



### Contact Assignment



### Dimension



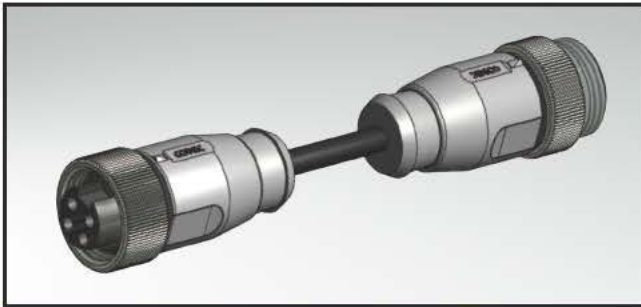
## ORDER DATA

Cable	Length/L	Description	2-pos+ground Part-no.	Description	4-pos Part-no.
PVC UL grey LiYY 1,5 mm <sup>2</sup>	0,6m	SAL-7 / 8-RK2PE-RS2PE-0,6 / A6 / 150	41-01241	SAL-7 / 8-RK4-RS4-0,6 / A3 / 150	41-01257
	1m	SAL-7 / 8-RK2PE-RS2PE-1 / A6 / 150	41-01242	SAL-7 / 8-RK4-RS4-1 / A3 / 150	41-01258
	1,5m	SAL-7 / 8-RK2PE-RS2PE-1,5 / A6 / 150	41-01243	SAL-7 / 8-RK4-RS4-1,5 / A3 / 150	41-01259
	2m	SAL-7 / 8-RK2PE-RS2PE-2 / A6 / 150	41-01244	SAL-7 / 8-RK4-RS4-2 / A3 / 150	41-01260
TPU UL, halogenfree, highflexible black Li9Y11Y 1,5 mm <sup>2</sup>	0,6m	SAL-7 / 8-RK2PE-RS2PE-0,6 / KO / 150	41-01245		
	1m	SAL-7 / 8-RK2PE-RS2PE-1 / KO / 150	41-01246		
	1,5m	SAL-7 / 8-RK2PE-RS2PE-1,5 / KO / 150	41-01247		
	2m	SAL-7 / 8-RK2PE-RS2PE-2 / KO / 150	41-01248		
TPU UL, halogenfree, black Li9Y11Y 1,5 mm <sup>2</sup>	0,6m			SAL-7 / 8-RK4-RS4-0,6 / K1 / 150	41-01261
	1m			SAL-7 / 8-RK4-RS4-1 / K1 / 150	41-01262
	1,5m			SAL-7 / 8-RK4-RS4-1,5 / K1 / 150	41-01263
	2m			SAL-7 / 8-RK4-RS4-2 / K1 / 150	41-01264

For custom length or quality levels contact factory

# SAL 7/8" CONNECTORS

Connecting cable Female connector, axial – Male connector, axial



RoHS compliant – UL Listed, File no.: E331608

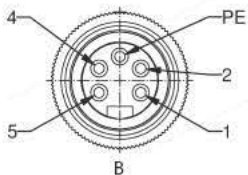
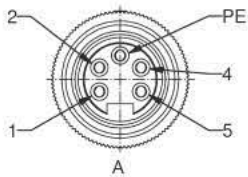
## TECHNICAL DATA

Rated voltage	4-pos+ground 300V
Current rating	10A at +40°C
Pollution degree	3 / 2
Insulation resistance	>= 100 MΩ
Degree of protection	IP68 in mated condition
Temperature range	-30°C to +80°C
Mating cycles	>=100

## PRODUCT DRAWING

### Pin Configuration

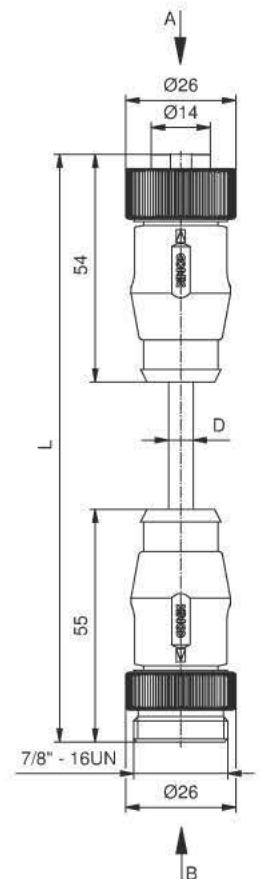
4-pos+ground



### Contact Assignment

1)	black	—
2)	blue	—
PE	green-yellow	—
4)	brown	—
5)	white	—

### Dimension



## ORDER DATA

Cable	Length / L	Description	4-pos+ground Part-no.
PVC UL grey LiYY 1,5 mm <sup>2</sup>	0,6m	SAL-7 / 8-RK4PE-RS4PE-0,6 / A3 / 150	41-01273
	1m	SAL-7 / 8-RK4PE-RS4PE-1 / A3 / 150	41-01274
	1,5m	SAL-7 / 8-RK4PE-RS4PE-1,5 / A3 / 150	41-01275
	2m	SAL-7 / 8-RK4PE-RS4PE-2 / A3 / 150	41-01276
TPU UL, halogenfree black Li9Y11Y 1,5 mm <sup>2</sup>	0,6m	SAL-7 / 8-RK4PE-RS4PE-0,6 / K1 / 150	41-01277
	1m	SAL-7 / 8-RK4PE-RS4PE-1 / K1 / 150	41-01278
	1,5m	SAL-7 / 8-RK4PE-RS4PE-1,5 / K1 / 150	41-01279
	2m	SAL-7 / 8-RK4PE-RS4PE-2 / K1 / 150	41-01280

For custom length or quality levels contact factory

# SAL 7/8" CONNECTORS

Connecting cable Female connector, angled – Male connector, axial



RoHS compliant – UL Listed, File no.: E331608

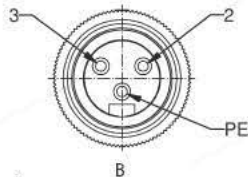
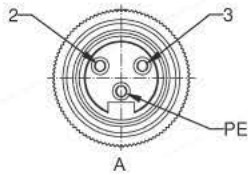
## TECHNICAL DATA

Rated voltage	2-pos+ground	4-pos
	300V	300V
Current rating	8A at +40°C	
Pollution degree	3 / 2	
Insulation resistance	≥ 100 MΩ	
Degree of protection	IP68 in mated condition	
Temperature range	-30°C to +80°C	
Mating cycles	≥ 100	

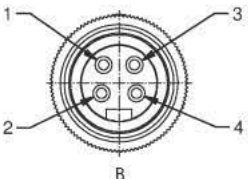
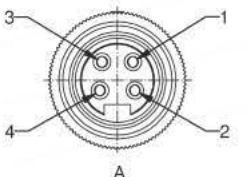
## PRODUCT DRAWING

### Pin Configuration

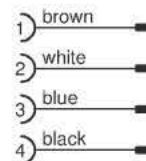
#### 2-pos+ground



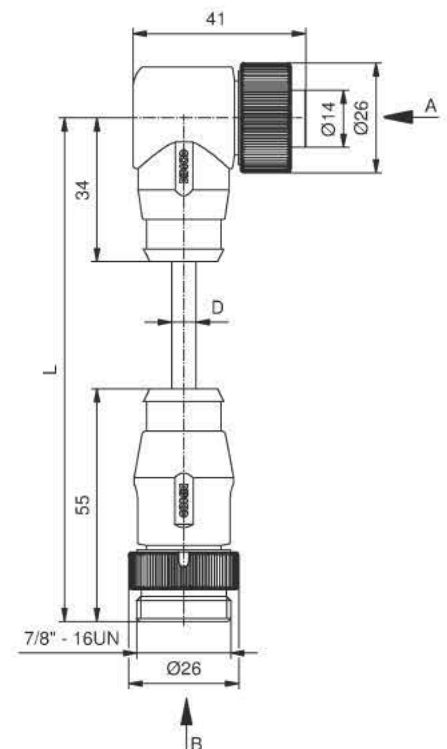
#### 4-pos



### Contact Assignment



### Dimension



## ORDER DATA

Cable	Length/L	Description	2-pos+ground Part-no.	Description	4-pos Part-no.
PVC UL grey LiYY 0,75 mm <sup>2</sup>	0,6m	SAL-7 / 8-RKW2PE-RS2PE-0,6 / A6	41-01201	SAL-7 / 8-RKW4-RS4-0,6 / A3	41-01217
	1m	SAL-7 / 8-RKW2PE-RS2PE-1 / A6	41-01202	SAL-7 / 8-RKW4-RS4-1 / A3	41-01218
	1,5m	SAL-7 / 8-RKW2PE-RS2PE-1,5 / A6	41-01203	SAL-7 / 8-RKW4-RS4-1,5 / A3	41-01219
	2m	SAL-7 / 8-RKW2PE-RS2PE-2 / A6	41-01204	SAL-7 / 8-RKW4-RS4-2 / A3	41-01220
TPU UL, halogenfree, highflexible black Li9Y11Y 0,75 mm <sup>2</sup>	0,6m	SAL-7 / 8-RKW2PE-RS2PE-0,6 / K0	41-01205		
	1m	SAL-7 / 8-RKW2PE-RS2PE-1 / K0	41-01206		
	1,5m	SAL-7 / 8-RKW2PE-RS2PE-1,5 / K0	41-01207		
	2m	SAL-7 / 8-RKW2PE-RS2PE-2 / K0	41-01208		
TPU UL, halogenfree black Li9Y11Y 0,75 mm <sup>2</sup>	0,6m			SAL-7 / 8-RKW4-RS4-0,6 / K1	41-01221
	1m			SAL-7 / 8-RKW4-RS4-1 / K1	41-01222
	1,5m			SAL-7 / 8-RKW4-RS4-1,5 / K1	41-01223
	2m			SAL-7 / 8-RKW4-RS4-2 / K1	41-01224

For custom length or quality levels contact factory

# SAL 7/8" CONNECTORS

Connecting cable Female connector, angled – Male connector, axial



RoHS compliant – UL Listed, File no.: E331608

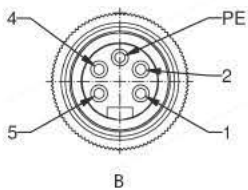
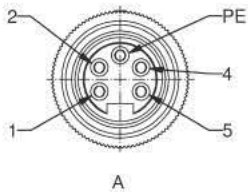
## TECHNICAL DATA

Rated voltage	4-pos+ground 300V
Current rating	8A at +40°C
Pollution degree	3 / 2
Insulation resistance	>= 100 MΩ
Degree of protection	IP68 in mated condition
Temperature range	-30°C to +80°C
Mating cycles	>=100

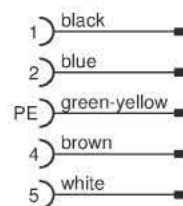
## PRODUCT DRAWING

### Pin Configuration

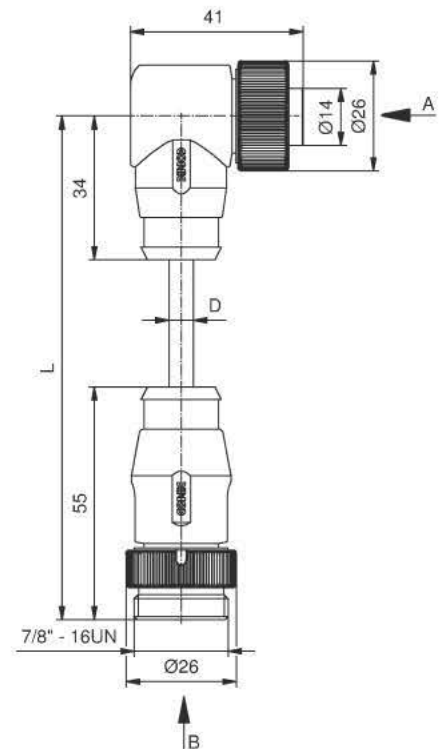
4-pos+ground



### Contact Assignment



### Dimension



## ORDER DATA

Cable	Length / L	Description	4-pos+ground Part-no.
PVC UL grey LiYY 0,75 mm <sup>2</sup>	0,6m	SAL-7 / 8-RKW4PE-RS4PE-0,6 / A3	41-01233
	1m	SAL-7 / 8-RKW4PE-RS4PE-1 / A3	41-01234
	1,5m	SAL-7 / 8-RKW4PE-RS4PE-1,5 / A3	41-01235
	2m	SAL-7 / 8-RKW4PE-RS4PE-2 / A3	41-01236
TPU UL, halogenfree black Li9Y11Y 0,75 mm <sup>2</sup>	0,6m	SAL-7 / 8-RKW4PE-RS4PE-0,6 / K1	41-01237
	1m	SAL-7 / 8-RKW4PE-RS4PE-1 / K1	41-01238
	1,5m	SAL-7 / 8-RKW4PE-RS4PE-1,5 / K1	41-01239
	2m	SAL-7 / 8-RKW4PE-RS4PE-2 / K1	41-01240

For custom length or quality levels contact factory

# SAL 7/8" CONNECTORS

Connecting cable Female connector, angled – Male connector, axial



RoHS compliant – UL Listed, File no.: E331608

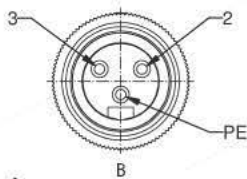
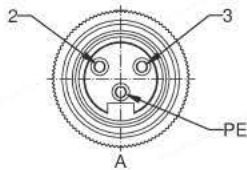
## TECHNICAL DATA

Rated voltage	2-pos+ground	4-pos
	300V	300V
Current rating	10A at +40°C	
Pollution degree	3 / 2	
Insulation resistance	≥ 100 MΩ	
Degree of protection	IP68 in mated condition	
Temperature range	-30°C to +80°C	
Mating cycles	≥ 100	

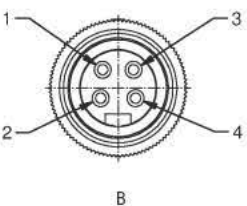
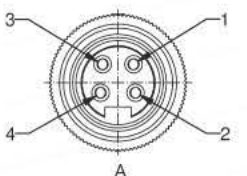
## PRODUCT DRAWING

### Pin Configuration

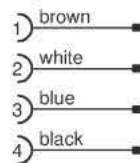
2-pos+ground



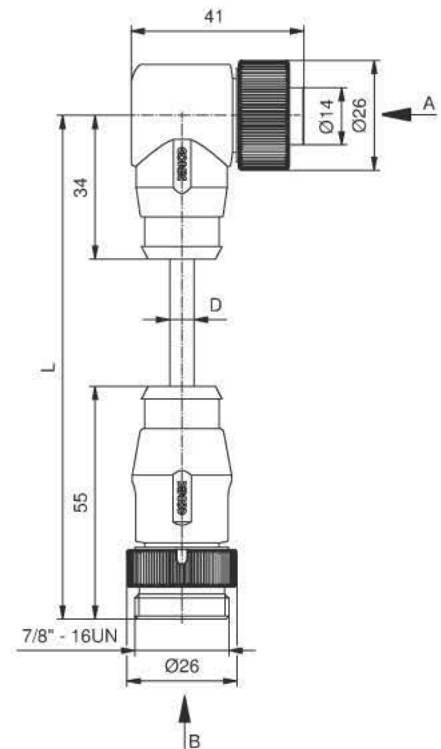
4-pos



### Contact Assignment



### Dimension



## ORDER DATA

Cable	Length/L	Description	2-pos+ground Part-no.	Description	4-pos Part-no.
PVC UL grey LiYY 1,5 mm <sup>2</sup>	0,6m	SAL-7 / 8-RKW2PE-RS2PE-0,6 / A6 / 150	41-01249	SAL-7 / 8-RKW4-RS4-0,6 / A3 / 150	41-01265
	1m	SAL-7 / 8-RKW2PE-RS2PE-1 / A6 / 150	41-01250	SAL-7 / 8-RKW4-RS4-1 / A3 / 150	41-01266
	1,5m	SAL-7 / 8-RKW2PE-RS2PE-1,5 / A6 / 150	41-01251	SAL-7 / 8-RKW4-RS4-1,5 / A3 / 150	41-01267
	2m	SAL-7 / 8-RKW2PE-RS2PE-2 / A6 / 150	41-01252	SAL-7 / 8-RKW4-RS4-2 / A3 / 150	41-01268
TPU UL, halogenfree, highflexible black Li9Y11Y 1,5 mm <sup>2</sup>	0,6m	SAL-7 / 8-RKW2PE-RS2PE-0,6 / KO / 150	41-01253		
	1m	SAL-7 / 8-RKW2PE-RS2PE-1 / KO / 150	41-01254		
	1,5m	SAL-7 / 8-RKW2PE-RS2PE-1,5 / KO / 150	41-01255		
	2m	SAL-7 / 8-RKW2PE-RS2PE-2 / KO / 150	41-01256		
TPU UL, halogenfree black Li9Y11Y 1,5 mm <sup>2</sup>	0,6m			SAL-7 / 8-RKW4-RS4-0,6 / K1 / 150	41-01269
	1m			SAL-7 / 8-RKW4-RS4-1 / K1 / 150	41-01270
	1,5m			SAL-7 / 8-RKW4-RS4-1,5 / K1 / 150	41-01271
	2m			SAL-7 / 8-RKW4-RS4-2 / K1 / 150	41-01272

For custom length or quality levels contact factory

# SAL 7/8" CONNECTORS

Connecting cable Female connector, angled – Male connector, axial



RoHS compliant – UL Listed, File no.: E331608

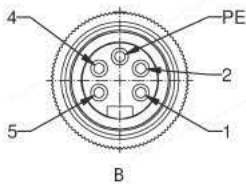
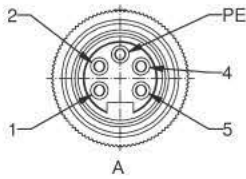
## TECHNICAL DATA

Rated voltage	4-pos+ground 300V
Current rating	10A at +40°C
Pollution degree	3 / 2
Insulation resistance	>= 100 MΩ
Degree of protection	IP68 in mated condition
Temperature range	-30°C to +80°C
Mating cycles	>=100

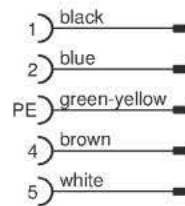
## PRODUCT DRAWING

### Pin Configuration

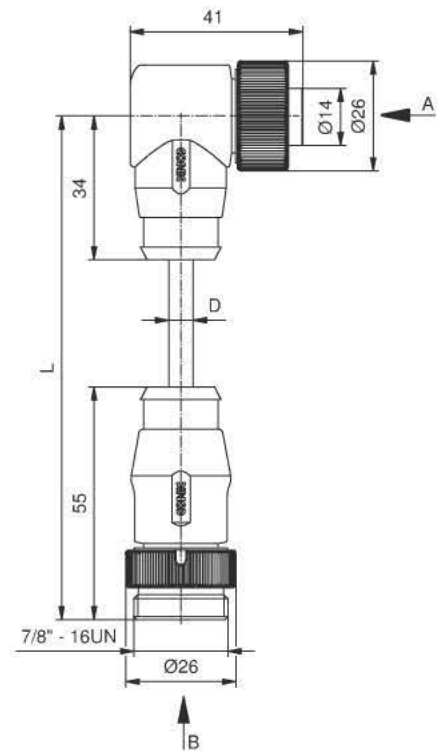
4-pos+ground



### Contact Assignment



### Dimension



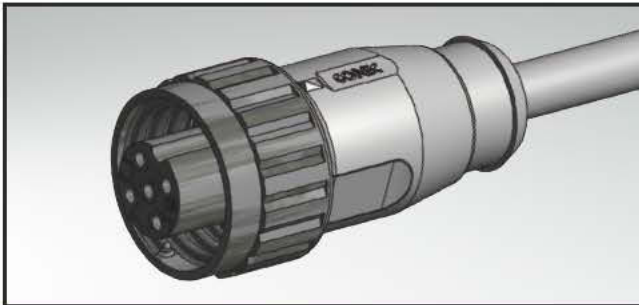
## ORDER DATA

Cable	Length / L	Description	4-pos+ground Part-no.
PVC UL grey LiYY 1,5 mm <sup>2</sup>	0,6m	SAL-7 / 8-RKW4PE-RS4PE-0,6 / A3 / 150	41-01281
	1m	SAL-7 / 8-RKW4PE-RS4PE-1 / A3 / 150	41-01282
	1,5m	SAL-7 / 8-RKW4PE-RS4PE-1,5 / A3 / 150	41-01283
	2m	SAL-7 / 8-RKW4PE-RS4PE-2 / A3 / 150	41-01284
TPU UL, halogenfree black Li9Y11Y 1,5 mm <sup>2</sup>	0,6m	SAL-7 / 8-RKW4PE-RS4PE-0,6 / K1 / 150	41-01285
	1m	SAL-7 / 8-RKW4PE-RS4PE-1 / K1 / 150	41-01286
	1,5m	SAL-7 / 8-RKW4PE-RS4PE-1,5 / K1 / 150	41-01287
	2m	SAL-7 / 8-RKW4PE-RS4PE-2 / K1 / 150	41-01288

For custom length or quality levels contact factory

# SAL RUND24 CONNECTORS

Female connector, axial



RoHS compliant

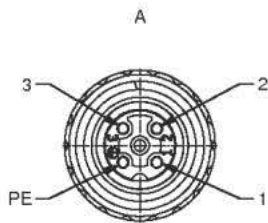
## TECHNICAL DATA

Rated voltage	3-pos+ground 400V
Current rating	13A at +40°C
Pollution degree	3 / 2
Insulation resistance	>= 100 MΩ
Degree of protection	IP67 in mated condition
Temperature range	-40°C to +80°C
Mating cycles	>= 100

## PRODUCT DRAWING

### Pin Configuration

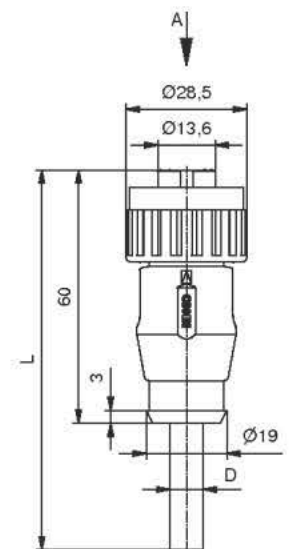
3-pos+ground



### Contact Assignment

1	brown
2	blue
3	black
PE	green-yellow

### Dimension



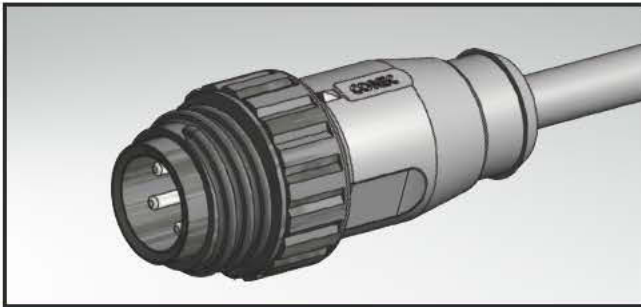
## ORDER DATA

Cable	Length / L	Description	3-pos+ground Part-no.
PVC UL grey	2m	SAL-24-RK3PE-2 / A3	41-51000
LiYY 1,5 mm <sup>2</sup>	3m	SAL-24-RK3PE-3 / A3	41-51001
	5m	SAL-24-RK3PE-5 / A3	41-51002
	10m	SAL-24-RK3PE-10 / A3	41-51003

For custom length or quality levels contact factory

# SAL RUND24 CONNECTORS

Male connector, axial



RoHS compliant

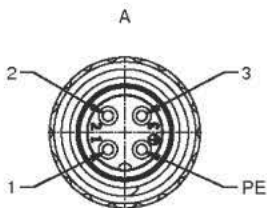
## TECHNICAL DATA

Rated voltage	3-pos+ground 400V
Current rating	13A at +40°C
Pollution degree	3 / 2
Insulation resistance	>= 100 MΩ
Degree of protection	IP67 in mated condition
Temperature range	-40°C to +80°C
Mating cycles	>=100

## PRODUCT DRAWING

### Pin Configuration

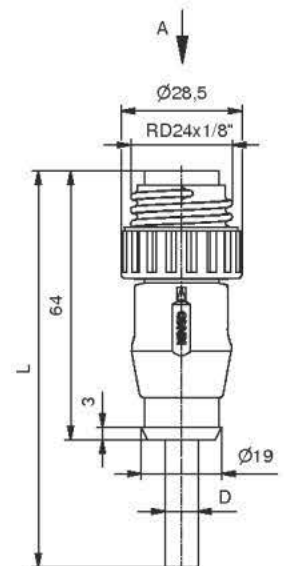
3-pos+ground



### Contact Assignment

1	brown
2	blue
3	black
PE	green-yellow

### Dimension



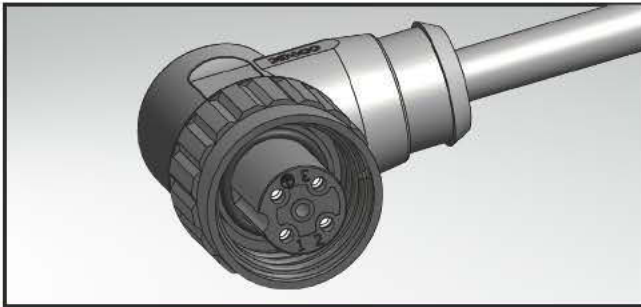
## ORDER DATA

Cable	Length / L	Description	3-pos+ground Part-no.
	2m	SAL-24-RS3PE-2 / A3	41-51004
PVC UL grey	3m	SAL-24-RS3PE-3 / A3	41-51005
LiYY 1,5 mm <sup>2</sup>	5m	SAL-24-RS3PE-5 / A3	41-51006
	10m	SAL-24-RS3PE-10 / A3	41-51007

For custom length or quality levels contact factory

# SAL RUND24 CONNECTORS

Female connector, angled



RoHS compliant

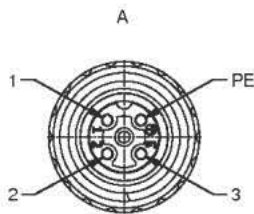
## TECHNICAL DATA

Rated voltage	3-pos+ground 400V
Current rating	13A at +40°C
Pollution degree	3 / 2
Insulation resistance	>= 100 MΩ
Degree of protection	IP67 in mated condition
Temperature range	-40°C to +80°C
Mating cycles	>= 100

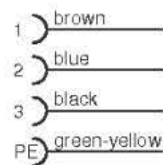
## PRODUCT DRAWING

### Pin Configuration

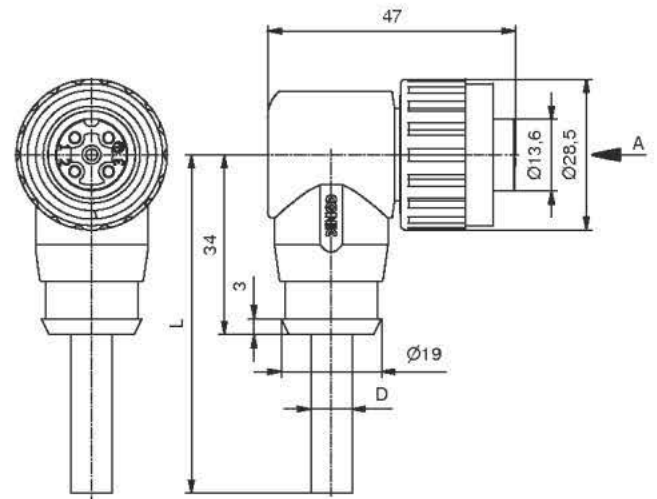
3-pos+ground



### Contact Assignment



### Dimension



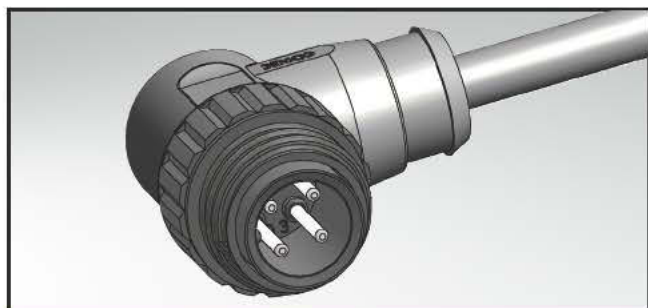
## ORDER DATA

Cable	Length / L	Description	3-pos+ground Part-no.
PVC UL grey LiYY 1,5 mm <sup>2</sup>	2m	SAL-24-RKW3PE-2/A3	41-51008
	3m	SAL-24-RKW3PE-3/A3	41-51009
	5m	SAL-24-RKW3PE-5/A3	41-51010
	10m	SAL-24-RKW3PE-10/A3	41-51011

For custom length or quality levels contact factory

# SAL RUND24 CONNECTORS

Male connector, angled



RoHS compliant

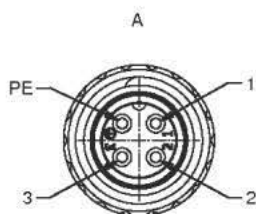
## TECHNICAL DATA

Rated voltage	3-pos+ground 400V
Current rating	13A at +40°C
Pollution degree	3 / 2
Insulation resistance	>= 100 MΩ
Degree of protection	IP67 in mated condition
Temperature range	-40°C to +80°C
Mating cycles	>=100

## PRODUCT DRAWING

### Pin Configuration

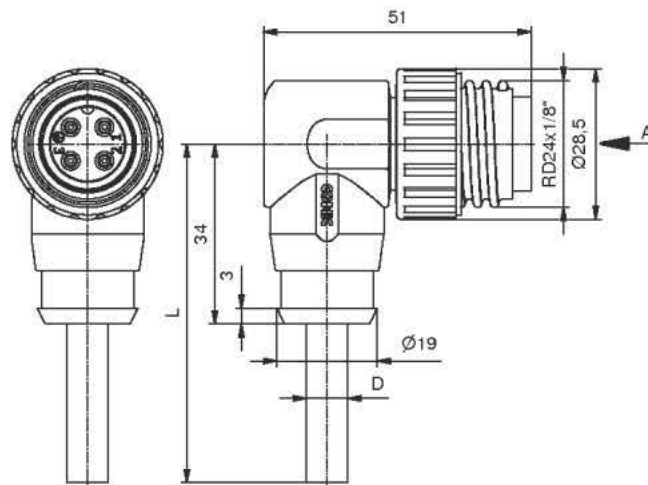
3-pos+ground



### Contact Assignment

1	brown
2	blue
3	black
PE	green-yellow

### Dimension



## ORDER DATA

Cable	Length / L	Description	3-pos+ground Part-no.
PVC UL grey	2m	SAL-24-RSW3PE-2 / A3	41-51012
LiYY 1,5 mm <sup>2</sup>	3m	SAL-24-RSW3PE-3 / A3	41-51013
	5m	SAL-24-RSW3PE-5 / A3	41-51014
	10m	SAL-24-RSW3PE-10 / A3	41-51015

For custom length or quality levels contact factory

SECTION 2

# CONNECTORS FIELD-ATTACHABLE





# SAL M8x1 CONNECTORS FIELD-ATTACHABLE

## Nomenclature

S A L - 8 - R K W C 4 - L

**SAL**  
Sensor Actor Line

**Installation size**  
8 = M8x1

**Coding**  
= A-coding

**Building**  
R = Circular connector

**Configuration**  
K = Female connector  
S = Male connector

**Building**  
= Standard  
W = Angled

**Building**  
C = Field-attachable

**Number of poles**  
4 = 4-pos  
5 = 5-pos

**Termination**  
L = Soldering termination up to max. 0,5 mm<sup>2</sup>  
K = Clamp connection for 0,14 mm<sup>2</sup> - 0,34 mm<sup>2</sup>  
S = Screw termination up to max. 0,5 mm<sup>2</sup>

# SAL M8x1 CONNECTORS FIELD-ATTACHABLE

## Products specification

Basic material	
Contact	CuZn
Contact plating	Ni, Au gal.
Contact carrier	PA6 GF, UL 94 / PA6, UL 94
Housing	PA6 GF, UL 94
Cable sealing	NBR
Sealing	Silicon
Coupling nut/-screw	Zinc-diecast, nickel plated / CuZn

Technical Data	
Information on the following pages are basing on below mentioned IEC-standards.	
Rated voltage	IEC 61076-2-104
Current rating	IEC 61076-2-104
Insulation resistance	IEC 60512
Pollution degree	IEC 60664-1
Degree of protection	IEC 60529
Temperature range	IEC 60664-1
Mating cycles	IEC 60512-9a

Recommended torquet: 0,4 Nm

Technical subject to change without notice.

# SAL M12x1 CONNECTORS FIELD-ATTACHABLE

## Nomenclature

S A L - 1 2 - R K W C 4 - S / 075

**SAL**  
Sensor Actor Line

**Installation size**  
12 = M12x1

**Coding**  
= A-coding  
S = A-coding shielded

**Building**  
R = Circular connector

**Configuration**  
K = Female connector  
S = Male connector

**Building**  
= Standard  
W = Angled

**Building**  
C = Field-attachable

**Number of poles**  
4 = 4-pos  
5 = 5-pos

**Type of connection**  
S = Screw termination  
K = Clamp connection

**Terminal cross section**  
= max. 0,5 mm<sup>2</sup>  
075 = max. 0,75 mm<sup>2</sup>

# SAL M12x1 CONNECTORS FIELD-ATTACHABLE

## Productspecification

Basic material	
Contact	CuZn
Contact plating	Ni, Au gal.
Contact carrier	PA6, UL 94
Housing	Standard: PA6 GF, UL 94 / Shielded: Die Cast, nickel-plated
Clamp-/screw contact	Stainless steel nickel-plated
Screw termination	CuZn/Ni, Sn gal.
Cable sealing	Elastomere
Sealing	FPM
Coupling nut/-screw	GD-Zn, Ni

## Technical Data

Information on the following pages are basing on below mentioned IEC-standards.

Rated voltage	IEC 61076-2-101
Current rating	IEC 61076-2-101
Insulation resistance	IEC 60512
Pollution degree	IEC 60664-1
Degree of protection	IEC 60529
Temperature range	IEC 60664-1
Mating cycles	IEC 60512-9a

Recommended torquet: 0,6 Nm

Technical subject to change without notice.

# SAL 7/8" CONNECTORS FIELD-ATTACHABLE

## Nomenclature

S A L - 7 / 8 - R K C 4 - S

**SAL**  
Sensor Actor Line

**Installation size**  
7/8 = 7/8"

**Building**  
R = Circular connector

**Configuration**  
K = Female connector  
S = Male connector

**Building**  
C = Field-attachable

**Number of poles**  
2PE = 2-pos+ground  
4 = 4-pos  
4PE = 4-pos+ground

**Type of connection**  
S = Screw termination

# SAL 7/8" CONNECTORS FIELD-ATTACHABLE

## Productspecification

Basic material	
Contact	CuZn
Contact plating	Ni, Au gal.
Contact carrier	TPU, UL 94
Housing	PA6 GF, UL 94
Cable sealing	Elastomere
Coupling nut/-screw	CuZn, nickel-plated

## Technical Data

Information on the following pages are basing on below mentioned IEC-standards.

Rated voltage	IEC 60664-1
Overvoltage category	IEC 60664-1 2
Overvoltage impulse	IEC 60664-1 2,7kV
Current rating	IEC 60512-3
Insulation resistance	IEC 60512
Pollution degree	IEC 60664-1
Degree of protection	IEC 60529
Temperature range	IEC 60664-1
Mating cycles	IEC 60512-9a

Technical subject to change without notice.

# SAL M23x1 CONNECTORS FIELD-ATTACHABLE

## Nomenclature

S A L - 2 3 - R K C 16+3 - C

**SAL**  
Sensor Actor Line

**Installation size**  
23 = M23x1

**Building**  
R = Circular connector

**Configuration**  
K = Female connector  
S = Male connector

**Building**  
C = Field-attachable

**Number of poles**  
16+3 = 16x Signal- + 3x Power contacts

**Type of termination**  
C = Crimp termination  
L = Soldering termination

# SAL M23x1 CONNECTORS FIELD-ATTACHABLE

## Productspecification

Basic material	
Contact	CuZn
Contact plating	Ni, Au gal.
Contact carrier	PA6, UL 94 / PBT, UL 94
Housing	GD-Zn, Ni
Cable sealing	Elastomere
Coupling nut/-screw	GD-Zn, Ni

Technical Data	
Information on the following pages are basing on below mentioned IEC-standards.	
Rated voltage	IEC 60664-1
Current rating	IEC 60512-3
Insulation resistance	IEC 60512
Pollution degree	IEC 60664-1
Degree of protection	IEC 60529
Temperature range	IEC 60664-1
Mating cycles	IEC 60512-9a

Technical subject to change without notice.

# SAL M23x1 CONNECTORS FIELD-ATTACHABLE WITH CABLE

## Nomenclature

**S A L - 2 3 - R K C 16+3 / 5 / K 1**

**SAL**  
Sensor Actor Line

**Installation size**  
23 = M23x1

**Building**  
R = Circular connector

**Configuration**  
K = Female connector  
S = Male connector

**Building**  
C = Field-attachable

**Number of poles**  
16+3 = 16x Signal- + 3x Power contacts  
16.8+3 = 8x Signal- + 3x Power contacts

**Cable length**  
xx = Length [m]

**Cable quality**  
K1 = TPU, black, high flexible, halogenfree, UL

# SAL M23x1 CONNECTORS FIELD-ATTACHABLE WITH CABLE

## Productspecification

Basic material	
Contact	CuZn
Contact plating	Ni, Au gal.
Contact carrier	PA6, UL 94 / PBT, UL 94
Housing	GD-Zn, Ni
Cable sealing	Elastomere
Coupling nut/-screw	GD-Zn, Ni

Technical Data	
Information on the following pages are basing on below mentioned IEC-standards.	
Rated voltage	IEC 60664-1
Current rating	IEC 60512-3
Insulation resistance	IEC 60512
Pollution degree	IEC 60664-1
Degree of protection	IEC 60529
Temperature range	IEC 60664-1
Mating cycles	IEC 60512-9a

Technical subject to change without notice.

# SAL RUND24 CONNECTORS FIELD-ATTACHABLE

## Nomenclature

S A L - 2 4 - R K C 3 P E - S

**SAL**  
Sensor Actor Line

**Installation size**  
24 = Rund24

**Building**  
R = Circular connector

**Configuration**  
K = Female connector  
S = Male connector

**Building**  
C = Field-attachable

**Number of poles**  
3PE = 3-pos+ground

**Type of connection**  
S = Screw-termination

# SAL RUND24 CONNECTORS FIELD-ATTACHABLE

## Productspecification

Basic material	
Contact	CuZn
Contact plating	Ni, Ag gal.
Contact carrier	PA6 GF, UL 94
Housing	PA6 GF, UL 94
Cable sealing	Elastomere
Sealing	FPM
Coupling nut/-screw	PA GF, UL 94

Technical Data	
Information on the following pages are basing on below mentioned IEC-standards.	
Rated voltage	IEC 60664-1
Current rating	IEC 60512-3
Insulation resistance	IEC 60512
Pollution degree	IEC 60664-1
Degree of protection	IEC 60529
Temperature range	IEC 60664-1
Mating cycles	IEC 60512-9a

Technical subject to change without notice.

# SAL M8x1 CONNECTORS

Female connector, axial, field-attachable with screw termination



RoHS compliant

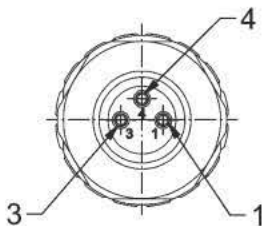
## TECHNICAL DATA

Rated voltage	3-pos	4-pos
	60V	30V
Current rating	4A at +40°C with 0,5mm <sup>2</sup>	
Pollution degree	3 / 2	
Insulation resistance	≥ 100 MΩ	
Degree of protection	IP67 in mated condition	
Temperature range	-30°C to +85°C	
Mating cycles	≥ 100	

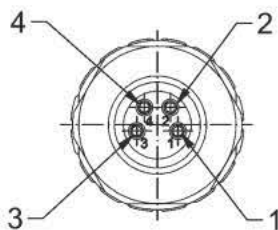
## PRODUCT DRAWING

### Pin Configuration

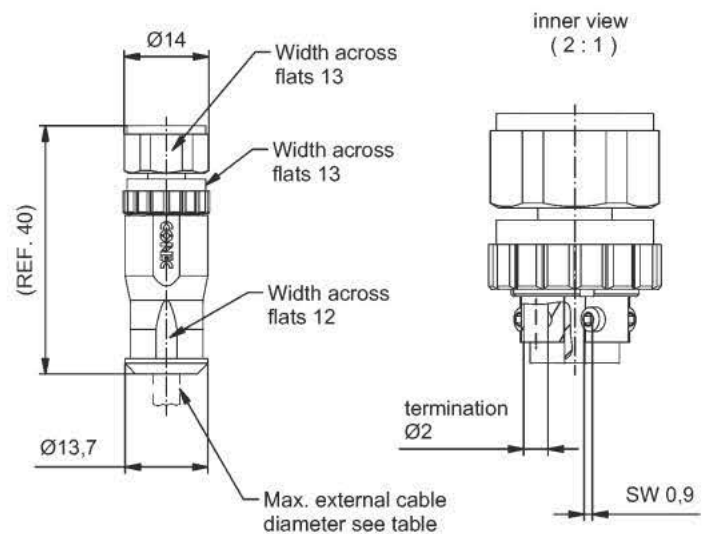
3-pos



4-pos



### Dimension



## ORDER DATA

Cable outer diameter	Description	3-pos Part-no.	Description	4-pos Part-no.
max. Ø4-5,5mm	SAL-8-RKC3-S	42-00010	SAL-8-RKC4-S	42-00012

# SAL M8x1 CONNECTORS

Female connector, angled, field-attachable with screw termination



RoHS compliant

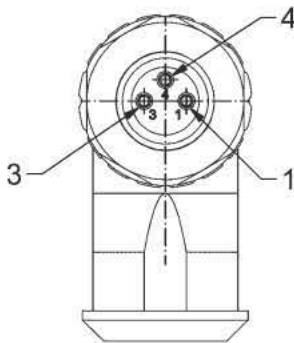
## TECHNICAL DATA

Rated voltage	3-pos	4-pos
	60V	30V
Current rating	4A at +40°C with 0,5mm <sup>2</sup>	
Pollution degree	3 / 2	
Insulation resistance	≥ 100 MΩ	
Degree of protection	IP67 in mated condition	
Temperature range	-30°C to +85°C	
Mating cycles	≥ 100	

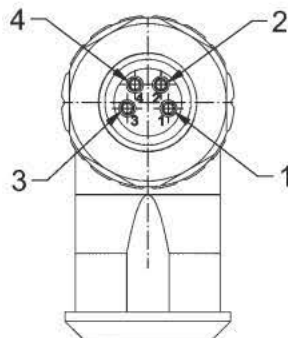
## PRODUCT DRAWING

### Pin Configuration

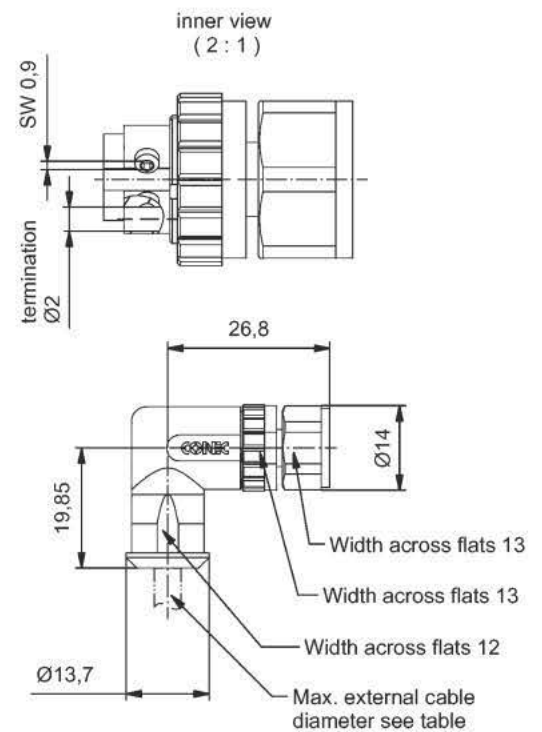
3-pos



4-pos



### Dimension



## ORDER DATA

Cable outer diameter	Description	3-pos Part-no.	Description	4-pos Part-no.
max. Ø4-5,5mm	SAL-8-RKWC3-S	42-00026	SAL-8-RKWC4-S	42-00028

# SAL M8x1 CONNECTORS

Male connector, axial, field-attachable with screw termination



RoHS compliant

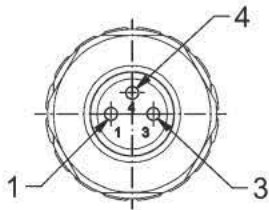
## TECHNICAL DATA

Rated voltage	3-pos	4-pos
	60V	30V
Current rating	4A at +40°C with 0,5mm <sup>2</sup>	
Pollution degree	3 / 2	
Insulation resistance	≥ 100 MΩ	
Degree of protection	IP67 in mated condition	
Temperature range	-30°C to +85°C	
Mating cycles	≥ 100	

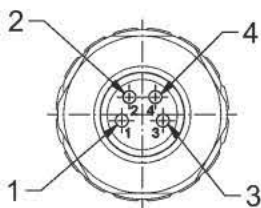
## PRODUCT DRAWING

### Pin Configuration

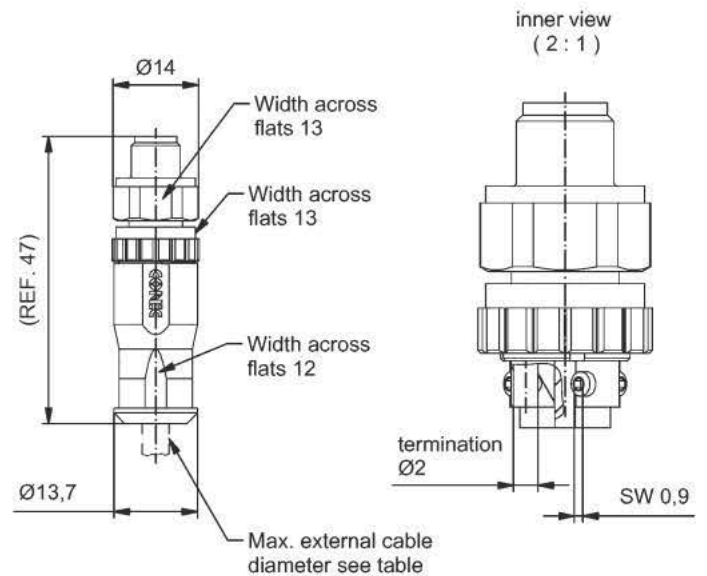
3-pos



4-pos



### Dimension



## ORDER DATA

Cable outer diameter	Description	3-pos Part-no.	Description	4-pos Part-no.
max. Ø4-5,5mm	SAL-8-RSC3-S	42-00009	SAL-8-RSC4-S	42-00011

# SAL M8x1 CONNECTORS

Male connector, angled, field-attachable with screw termination



RoHS compliant

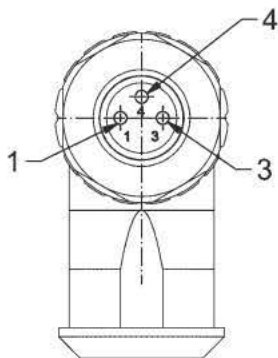
## TECHNICAL DATA

Rated voltage	3-pos	4-pos
	30V	30V
Current rating	4A at +40°C with 0,5mm <sup>2</sup>	
Pollution degree	3 / 2	
Insulation resistance	≥ 100 MΩ	
Degree of protection	IP67 in mated condition	
Temperature range	-30°C to +85°C	
Mating cycles	≥ 100	

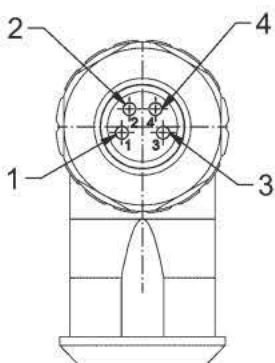
## PRODUCT DRAWING

### Pin Configuration

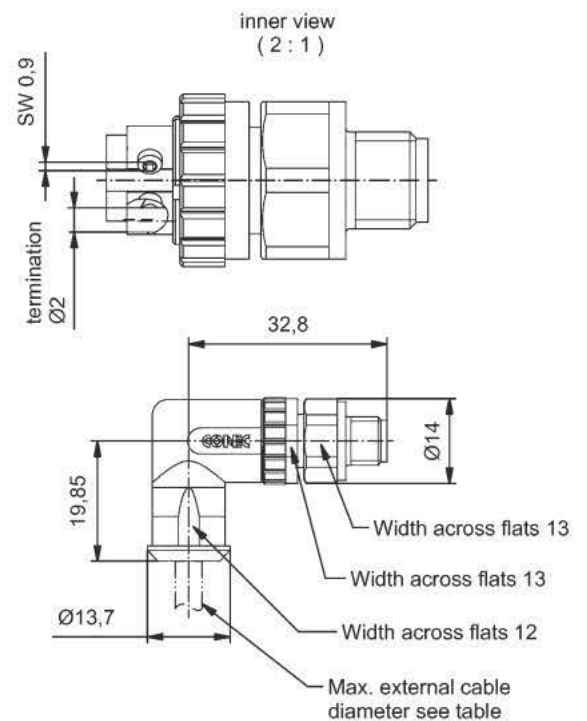
3-pos



4-pos



### Dimension



## ORDER DATA

Cable outer diameter	Description	3-pos Part-no.	Description	4-pos Part-no.
max. Ø4-5,5mm	SAL-8-RSWC3-S	42-00025	SAL-8-RSWC4-S	42-00027

# SAL M8x1 CONNECTORS

Female connector, axial, field-attachable with spring-type termination



RoHS compliant

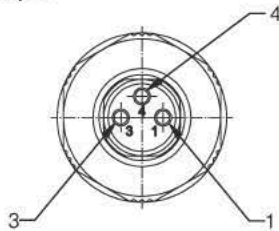
## TECHNICAL DATA

Rated voltage	3-pos	4-pos
	60V	30V
Current rating	3A at +40°C with 0,25mm <sup>2</sup>	
Pollution degree	3 / 2	
Insulation resistance	≥ 100 MΩ	
Degree of protection	IP67 in mated condition	
Temperature range	-30°C to +85°C	
Mating cycles	≥ 100	

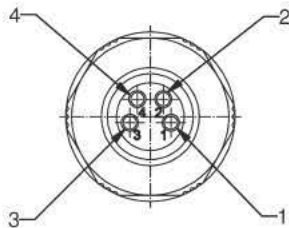
## PRODUCT DRAWING

### Pin Configuration

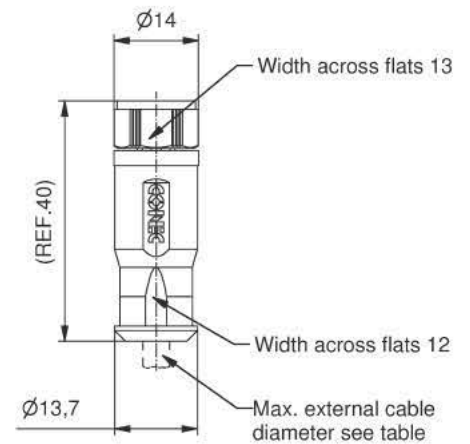
3-pos



4-pos



### Dimension



## ORDER DATA

Cable outer diameter	Description	3-pos Part-no.	Description	4-pos Part-no.
max. Ø4-5,5mm	SAL-8-RKC3-K	42-00002	SAL-8-RKC4-K	42-00004

# SAL M8x1 CONNECTORS

Male connector, axial, field-attachable with spring-type termination



RoHS compliant

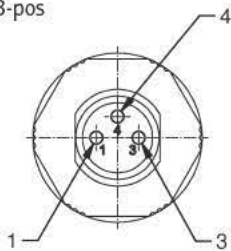
## TECHNICAL DATA

Rated voltage	3-pos	4-pos
	60V	30V
Current rating	3A at +40°C with 0,25mm <sup>2</sup>	
Pollution degree	3 / 2	
Insulation resistance	≥ 100 MΩ	
Degree of protection	IP67 in mated condition	
Temperature range	-30°C to +85°C	
Mating cycles	≥ 100	

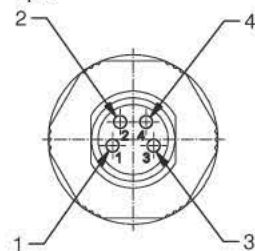
## PRODUCT DRAWING

### Pin Configuration

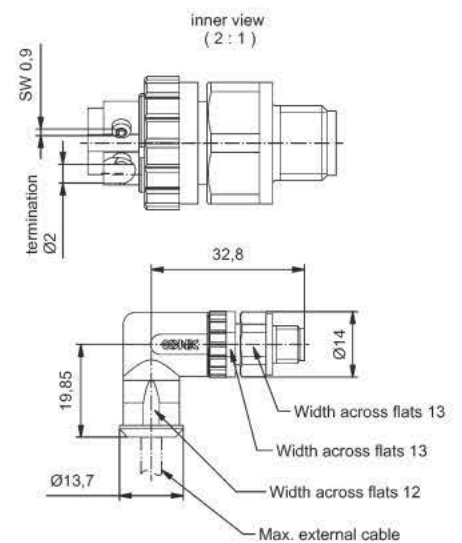
3-pos



4-pos



### Dimension



## ORDER DATA

Cable outer diameter	Description	3-pos Part-no.	Description	4-pos Part-no.
max. Ø4-5,5mm	SAL-8-RSC3-K	42-00001	SAL-8-RSC4-K	42-00003

# SAL M8x1 CONNECTORS

Female connector, axial, field-attachable with solder connection



RoHS compliant

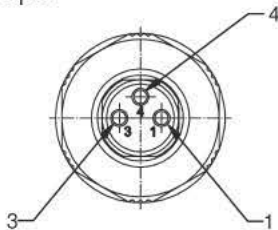
## TECHNICAL DATA

Rated voltage	3-pos	4-pos
	60V	30V
Current rating	3A at +40°C with 0,25mm <sup>2</sup>	
Pollution degree	3 / 2	
Insulation resistance	≥ 100 MΩ	
Degree of protection	IP67 in mated condition	
Temperature range	-30°C to +85°C	
Mating cycles	≥ 100	

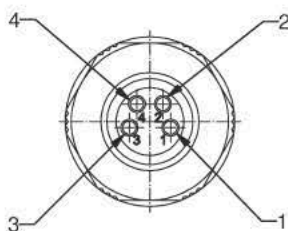
## PRODUCT DRAWING

### Pin Configuration

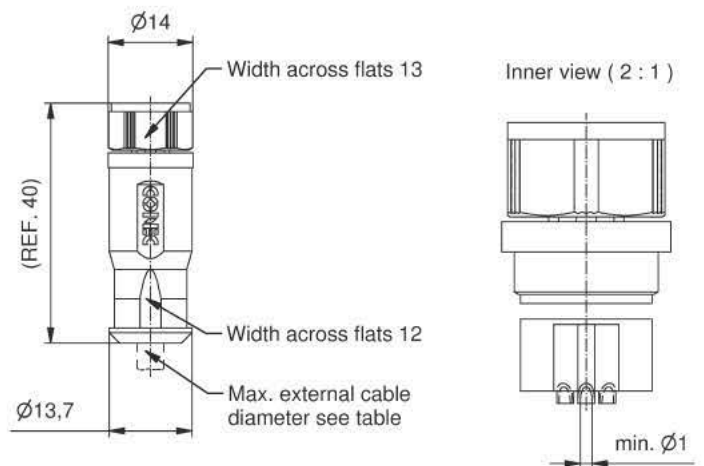
3-pos



4-pos



### Dimension



## ORDER DATA

Cable outer diameter	Description	3-pos Part-no.	Description	4-pos Part-no.
max. Ø4-5,5mm	SAL-8-RKC3-L	42-00006	SAL-8-RKC4-L	42-00008

# SAL M8x1 CONNECTORS

Male connector, axial, field-attachable with solder connection



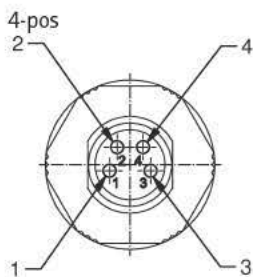
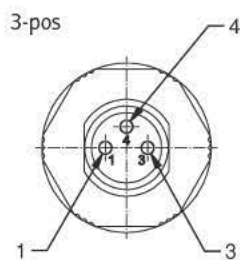
RoHS compliant

## TECHNICAL DATA

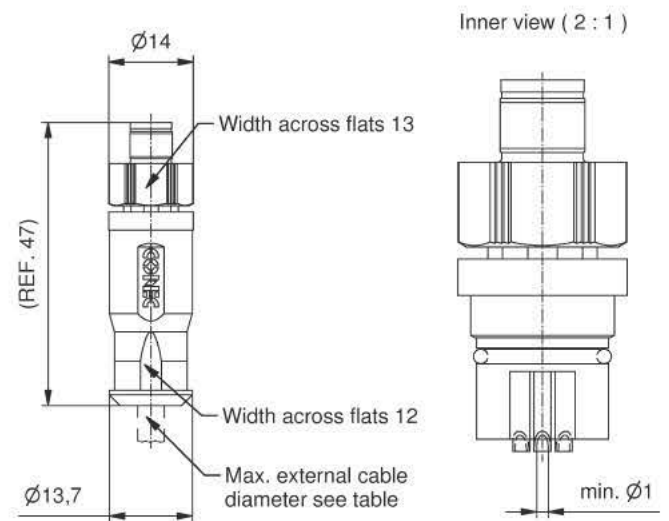
Rated voltage	3-pos	4-pos
	60V	30V
Current rating	3A at +40°C with 0,25mm <sup>2</sup>	
Pollution degree	3 / 2	
Insulation resistance	≥ 100 MΩ	
Degree of protection	IP67 in mated condition	
Temperature range	-30°C to +85°C	
Mating cycles	≥ 100	

## PRODUCT DRAWING

### Pin Configuration



### Dimension

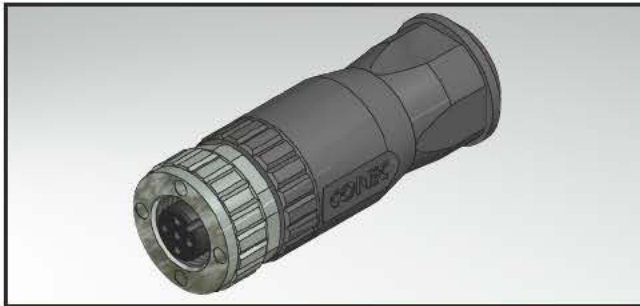


## ORDER DATA

Cable outer diameter	Description	3-pos Part-no.	Description	4-pos Part-no.
max. Ø4-5,5mm	SAL-8-RSC3-L	42-00005	SAL-8-RSC4-L	42-00007

# SAL M12x1 CONNECTORS

Female connector, axial, field-attachable with screw termination



RoHS compliant

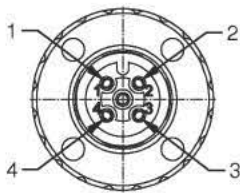
## TECHNICAL DATA

Rated voltage	4-pos	5-pos
	250V	60V
Current rating	4A at +40°C	
Pollution degree	3 / 2	
Insulation resistance	≥ 100 MΩ	
Degree of protection	IP67 in mated condition	
Temperature range	-30°C to +85°C	
Mating cycles	≥ 100	

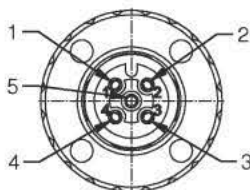
## PRODUCT DRAWING

### Pin Configuration

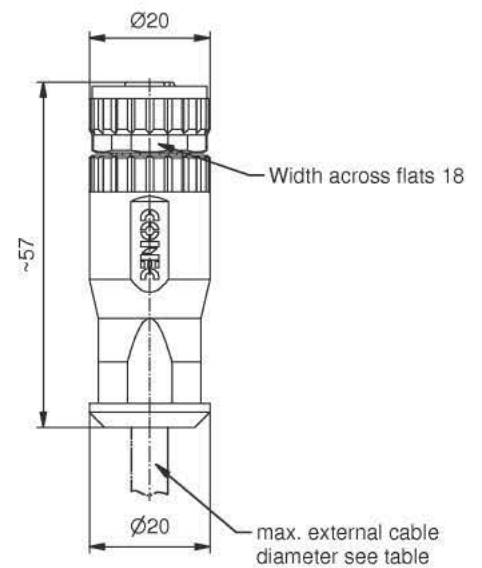
4-pos



5-pos



### Dimension



## ORDER DATA

Cable outer diameter	Description	4-pos Part-no.	Description	5-pos Part-no.
max. Ø4-8mm	SAL-12-RKC4-S/075	43-00092	SAL-12-RKC5-S/075	43-00094

# SAL M12x1 CONNECTORS

Male connector, axial, field-attachable with screw termination



RoHS compliant

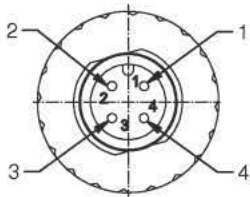
## TECHNICAL DATA

Rated voltage	4-pos	5-pos
	250V	60V
Current rating	4A at +40°C	
Pollution degree	3 / 2	
Insulation resistance	≥ 100 MΩ	
Degree of protection	IP67 in mated condition	
Temperature range	-30°C to +85°C	
Mating cycles	≥ 100	

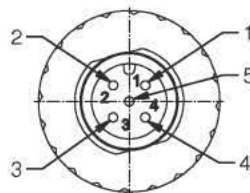
## PRODUCT DRAWING

### Pin Configuration

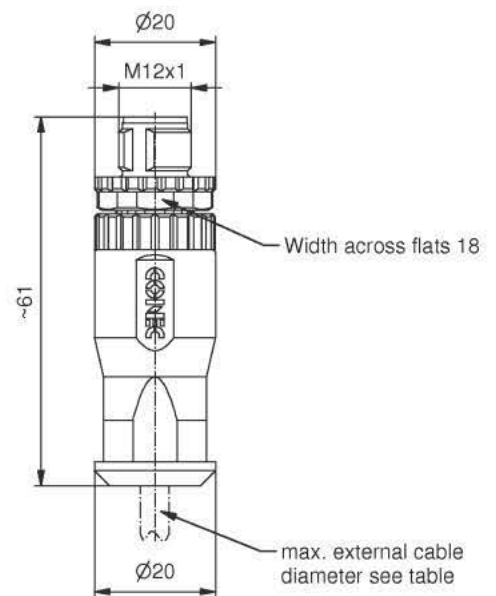
4-pos



5-pos



### Dimension



## ORDER DATA

Cable outer diameter	Description	4-pos Part-no.	Description	5-pos Part-no.
max. Ø4-8mm	SAL-12-RSC4-S/075	43-00100	SAL-12-RSC5-S/075	43-00102

# SAL M12x1 CONNECTORS

Female connector, angled, field-attachable with screw termination



RoHS compliant

## TECHNICAL DATA

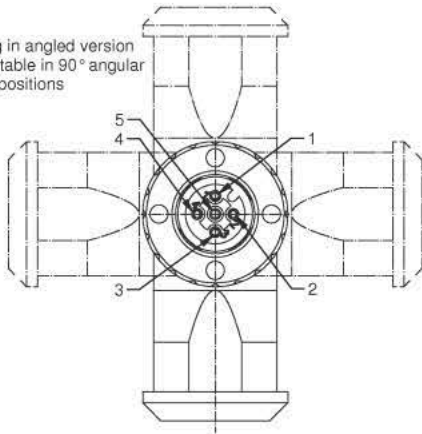
Rated voltage	4-pos	5-pos
	250V	60V
Current rating	4A at +40°C	
Pollution degree	3 / 2	
Insulation resistance	≥ 100 MΩ	
Degree of protection	IP67 in mated condition	
Temperature range	-30°C to +85°C	
Mating cycles	≥ 100	

## PRODUCT DRAWING

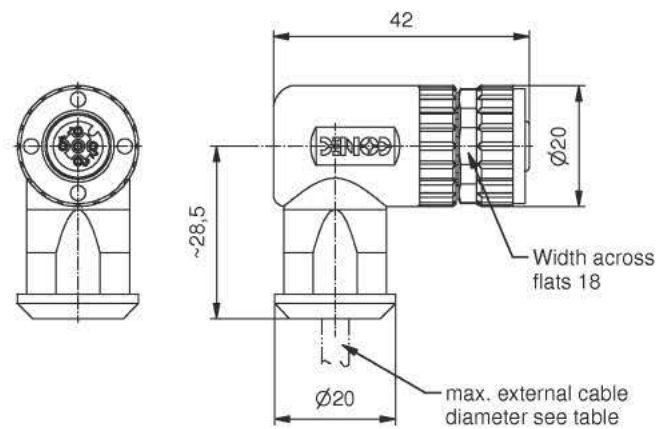
### Pin Configuration

4/5-pos

Housing in angled version is mountable in 90° angular degree positions



### Dimension

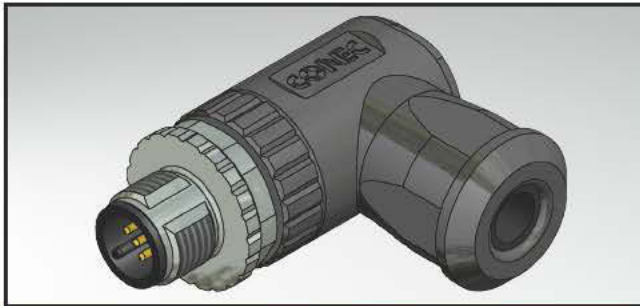


## ORDER DATA

Cable outer diameter	Description	4-pos Part-no.	Description	5-pos Part-no.
max. Ø4-8mm	SAL-12-RKWC4-S/075	43-00096	SAL-12-RKWC5-S/075	43-00098

# SAL M12x1 CONNECTORS

Male connector, angled, field-attachable with screw termination



RoHS compliant

## TECHNICAL DATA

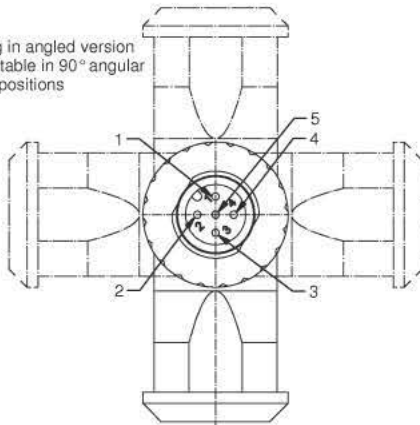
Rated voltage	4-pos	5-pos
	250V	60V
Current rating	4A at +40°C	
Pollution degree	3 / 2	
Insulation resistance	≥ 100 MΩ	
Degree of protection	IP67 in mated condition	
Temperature range	-30°C to +85°C	
Mating cycles	≥ 100	

## PRODUCT DRAWING

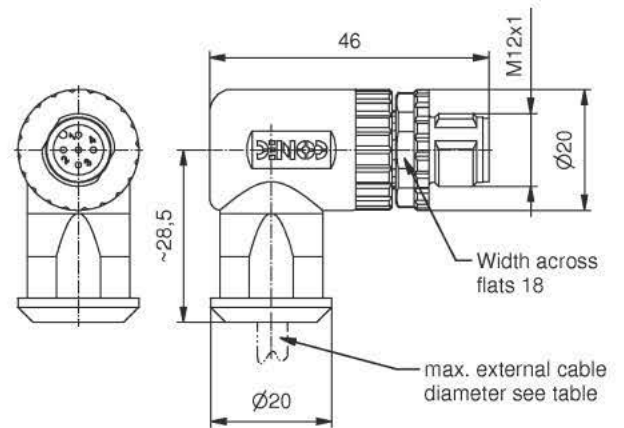
### Pin Configuration

4/5-pos

Housing in angled version is mountable in 90° angular degree positions



### Dimension

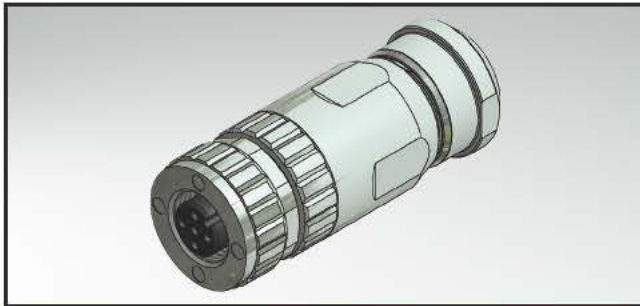


## ORDER DATA

Cable outer diameter	Description	4-pos Part-no.	Description	5-pos Part-no.
max. Ø4-8mm	SAL-12-RSWC4-S/075	43-00104	SAL-12-RSWC5-S/075	43-00106

# SAL M12x1 CONNECTORS

Female connector, axial, field-attachable, shielded with screw termination



RoHS compliant

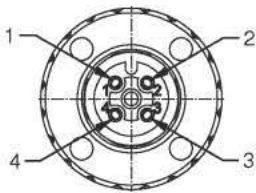
## TECHNICAL DATA

Rated voltage	4-pos	5-pos
	250V	60V
Current rating	4A at +40°C	
Pollution degree	3 / 2	
Insulation resistance	≥ 100 MΩ	
Degree of protection	IP67 in mated condition	
Temperature range	-30°C to +85°C	
Mating cycles	≥ 100	

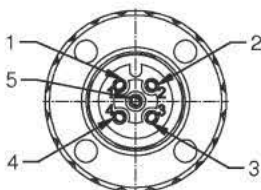
## PRODUCT DRAWING

### Pin Configuration

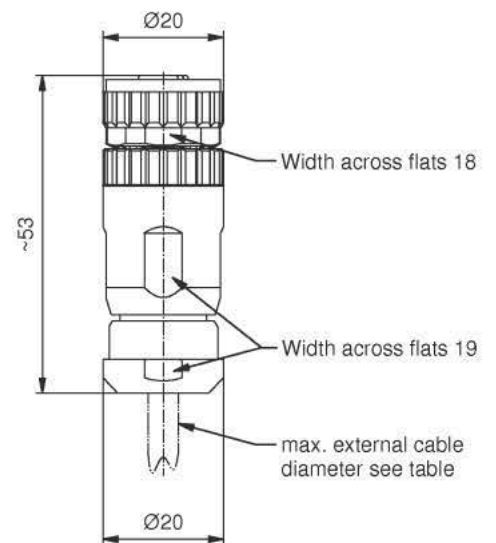
4-pos



5-pos



### Dimension

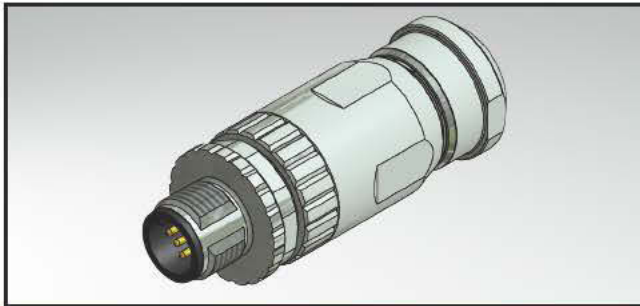


## ORDER DATA

Cable outer diameter	Description	4-pos Part-no.	Description	5-pos Part-no.
max. Ø4-8mm	SAL-12S-RKC4-S/075	43-00113	SAL-12S-RKC5-S/075	43-00114

# SAL M12x1 CONNECTORS

Male connector, axial, field-attachable, shielded with screw termination



RoHS compliant

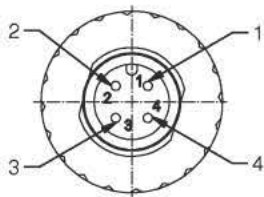
## TECHNICAL DATA

Rated voltage	4-pos	5-pos
	250V	60V
Current rating	4A at +40°C	
Pollution degree	3 / 2	
Insulation resistance	≥ 100 MΩ	
Degree of protection	IP67 in mated condition	
Temperature range	-30°C to +85°C	
Mating cycles	≥ 100	

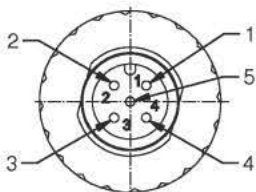
## PRODUCT DRAWING

### Pin Configuration

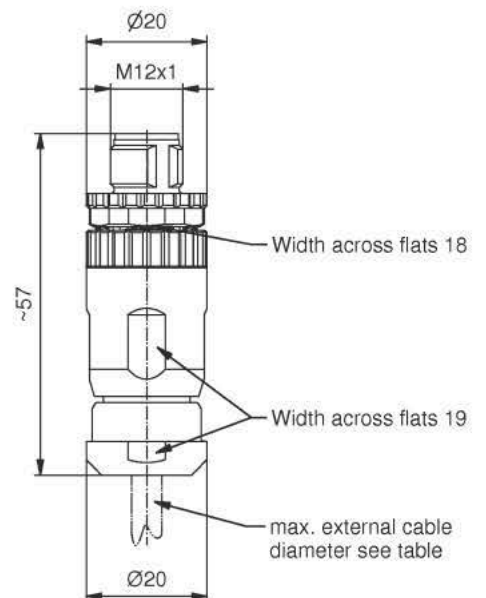
4-pos



5-pos



### Dimension



## ORDER DATA

Cable outer diameter	Description	4-pos Part-no.	Description	5-pos Part-no.
max. Ø4-8mm	SAL-12S-RSC4-S/075	43-00115	SAL-12S-RSC5-S/075	43-00116

# SAL M12x1 CONNECTORS

Female connector, axial, field-attachable with clamp connection



RoHS compliant

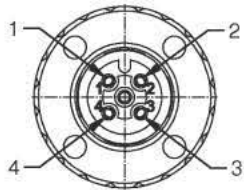
## TECHNICAL DATA

Rated voltage	4-pos	5-pos
	250V	60V
Current rating	4A at +40°C	
Pollution degree	3 / 2	
Insulation resistance	≥ 100 MΩ	
Degree of protection	IP67 in mated condition	
Temperature range	-30°C to +85°C	
Mating cycles	≥ 100	

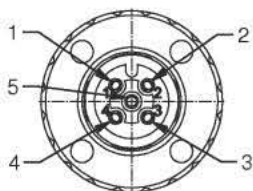
## PRODUCT DRAWING

### Pin Configuration

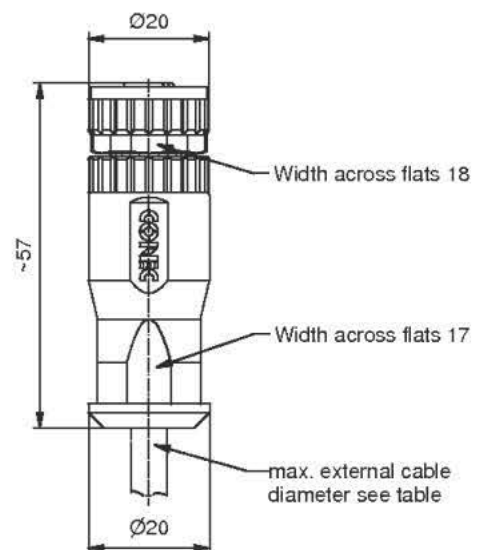
4-pos



5-pos



### Dimension

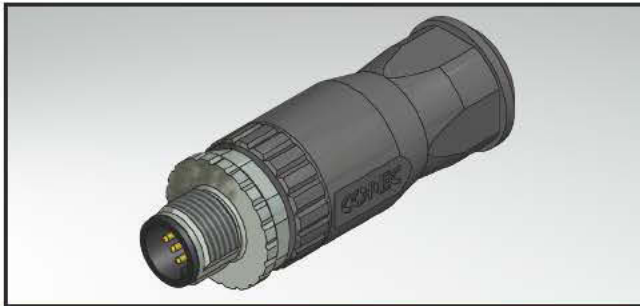


## ORDER DATA

Cable outer diameter	Description	4-pos Part-no.	Description	5-pos Part-no.
max. Ø4-8mm	SAL-12-RKC4-K	43-00002	SAL-12-RKC5-K	43-00004

# SAL M12x1 CONNECTORS

Male connector, axial, field-attachable with clamp connection



RoHS compliant

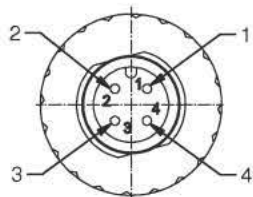
## TECHNICAL DATA

Rated voltage	4-pos	5-pos
	250V	60V
Current rating	4A at +40°C	
Pollution degree	3 / 2	
Insulation resistance	≥ 100 MΩ	
Degree of protection	IP67 in mated condition	
Temperature range	-30°C to +85°C	
Mating cycles	≥ 100	

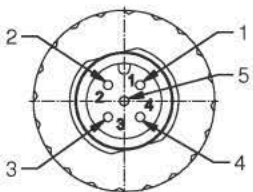
## PRODUCT DRAWING

### Pin Configuration

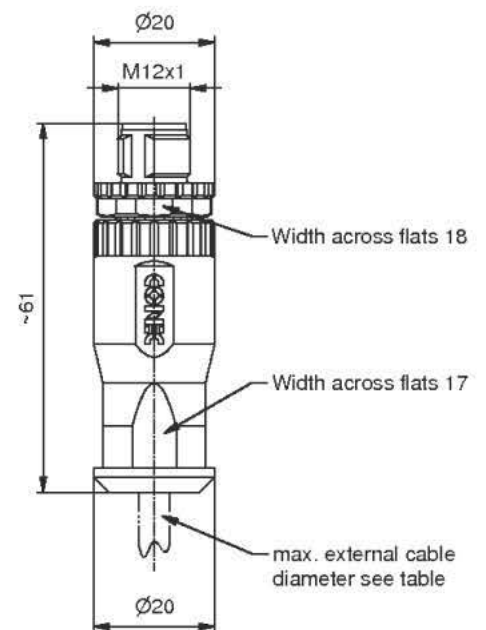
4-pos



5-pos



### Dimension

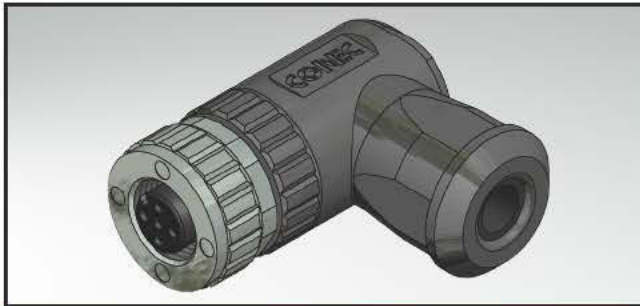


## ORDER DATA

Cable outer diameter	Description	4-pos Part-no.	Description	5-pos Part-no.
max. Ø4-8mm	SAL-12-RSC4-K	43-00018	SAL-12-RSC5-K	43-00020

# SAL M12x1 CONNECTORS

Female connector, angled, field-attachable with clamp connection



RoHS compliant

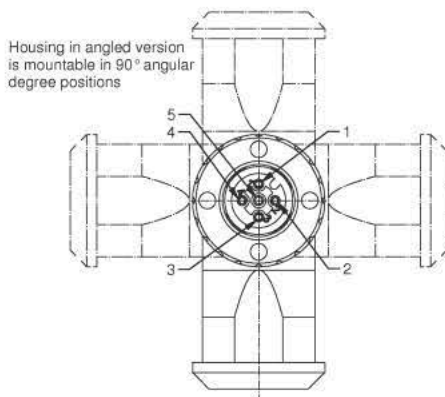
## TECHNICAL DATA

Rated voltage	4-pos	5-pos
	250V	60V
Current rating	4A at +40°C	
Pollution degree	3 / 2	
Insulation resistance	≥ 100 MΩ	
Degree of protection	IP67 in mated condition	
Temperature range	-30°C to +85°C	
Mating cycles	≥ 100	

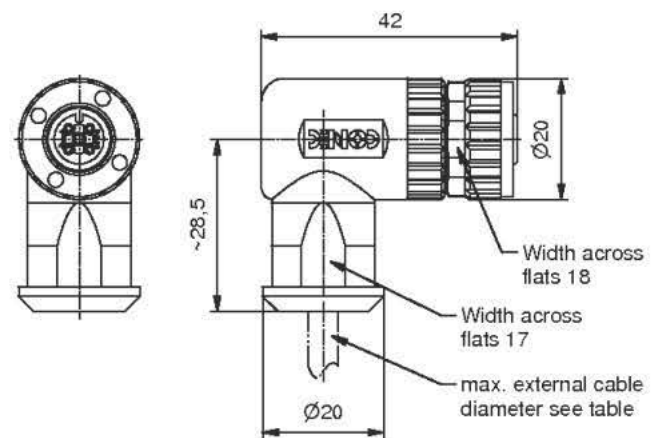
## PRODUCT DRAWING

### Pin Configuration

4/5-pos



### Dimension

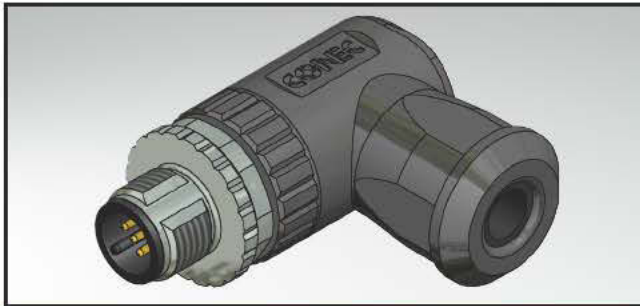


## ORDER DATA

Cable outer diameter	Description	4-pos Part-no.	Description	5-pos Part-no.
max. Ø4-8mm	SAL-12-RKWC4-K	43-00010	SAL-12-RKWC5-K	43-00012

# SAL M12x1 CONNECTORS

Male connector, angled, field-attachable with clamp connection



RoHS compliant

## TECHNICAL DATA

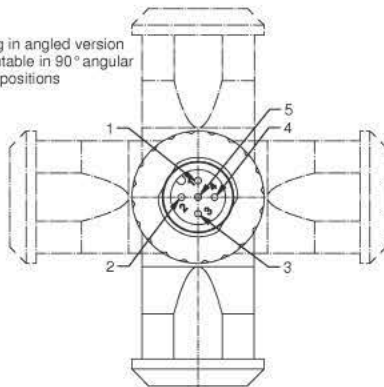
Rated voltage	4-pos	5-pos
	250V	60V
Current rating	4A at +40°C	
Pollution degree	3 / 2	
Insulation resistance	≥ 100 MΩ	
Degree of protection	IP67 in mated condition	
Temperature range	-30°C to +85°C	
Mating cycles	≥ 100	

## PRODUCT DRAWING

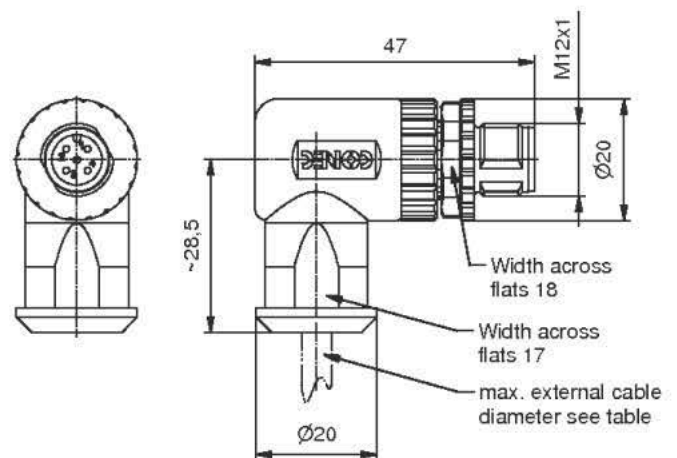
### Pin Configuration

4/5-pos

Housing in angled version is mountable in 90° angular degree positions



### Dimension

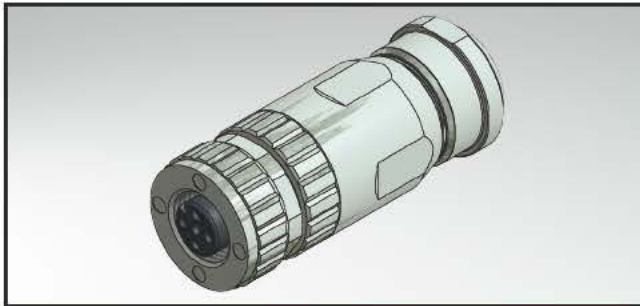


## ORDER DATA

Cable outer diameter	Description	4-pos Part-no.	Description	5-pos Part-no.
max. Ø4-8mm	SAL-12-RSWC4-K	43-00026	SAL-12-RSWC5-K	43-00028

# SAL M12x1 CONNECTORS

Female connector, axial, field-attachable, shielded with clamp connection



RoHS compliant

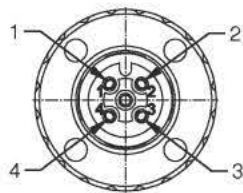
## TECHNICAL DATA

Rated voltage	4-pos	5-pos
	250V	60V
Current rating	4A at +40°C	
Pollution degree	3 / 2	
Insulation resistance	≥ 100 MΩ	
Degree of protection	IP67 in mated condition	
Temperature range	-30°C to +85°C	
Mating cycles	≥ 100	

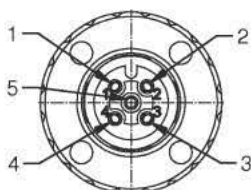
## PRODUCT DRAWING

### Pin Configuration

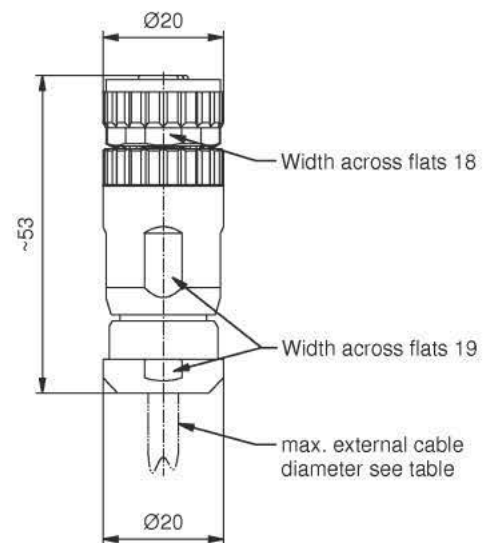
4-pos



5-pos



### Dimension

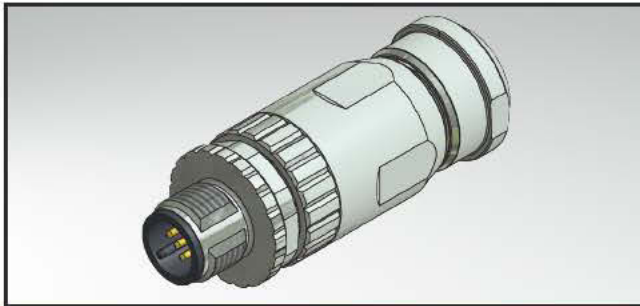


## ORDER DATA

Cable outer diameter	Description	4-pos Part-no.	Description	5-pos Part-no.
max. Ø4-8mm	SAL-12S-RKC4-K	43-00041	SAL-12S-RKC5-K	43-00043

# SAL M12x1 CONNECTORS

Male connector, axial, field-attachable, shielded with clamp connection



RoHS compliant

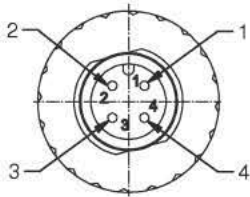
## TECHNICAL DATA

Rated voltage	4-pos	5-pos
	250V	60V
Current rating	4A at +40°C	
Pollution degree	3 / 2	
Insulation resistance	≥ 100 MΩ	
Degree of protection	IP67 in mated condition	
Temperature range	-30°C to +85°C	
Mating cycles	≥ 100	

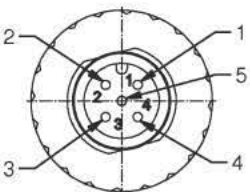
## PRODUCT DRAWING

### Pin Configuration

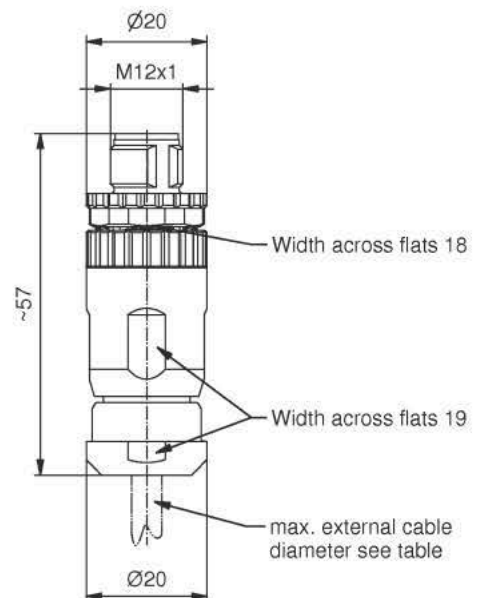
4-pos



5-pos



### Dimension



## ORDER DATA

Cable outer diameter	Description	4-pos Part-no.	Description	5-pos Part-no.
max. Ø4-8mm	SAL-12S-RSC4-K	43-00049	SAL-12S-RSC5-K	43-00051

# SAL 7/8" CONNECTORS

Female connector, axial, field-attachable with screw-termination



RoHS compliant

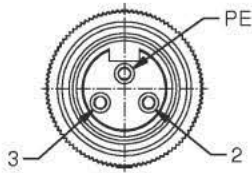
## TECHNICAL DATA

Rated voltage	2-pos+ground	4-pos	4-pos+ground
	250V	250V	250V
Current rating	12A at +40°C (2-pos+ground)		
	9A at +40°C (4-pos + 4-pos+ground)		
Pollution degree	3 / 2		
Insulation resistance	≥ 100 MΩ		
Degree of protection	IP67 in mated condition		
Temperature range	-40°C to +85°C		
Mating cycles	≥ 100		

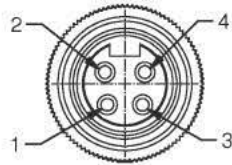
## PRODUCT DRAWING

### Pin Configuration

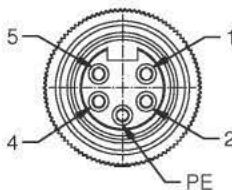
2-pos+ground



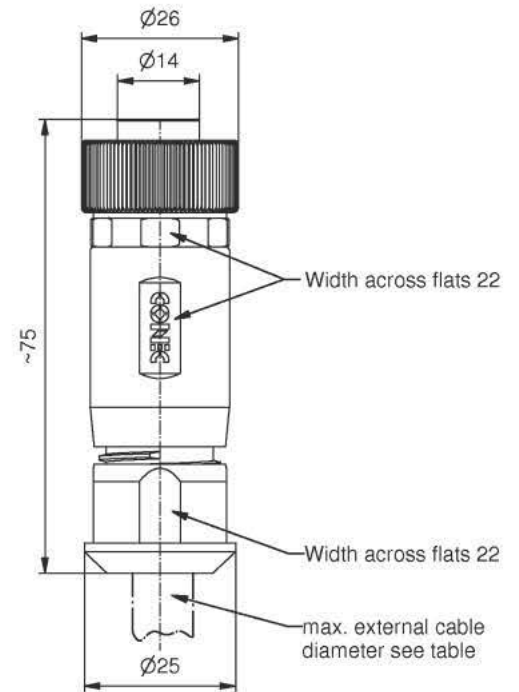
4-pos



4-pos+ground



### Dimension



## ORDER DATA

Cable outer diameter	Description	2-pos+ground Part-no.	Description	4-pos Part-no.	Description	4-pos+ground Part-no.
max. Ø6-12mm	SAL-7 / 8-RKC2PE-S	41-00001	SAL-7 / 8-RKC4-S	41-00002	SAL-7 / 8-RKC4PE-S	41-00003

# SAL 7/8" CONNECTORS

Male connector, axial, field-attachable with screw-termination



RoHS compliant

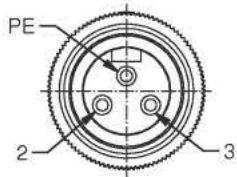
## TECHNICAL DATA

Rated voltage	2-pos+ground	4-pos	4-pos+ground
	250V	250V	250V
Current rating	12A at +40°C (2-pos+ground)		
	9A at +40°C (4-pos + 4-pos+ground)		
Pollution degree	3 / 2		
Insulation resistance	≥ 100 MΩ		
Degree of protection	IP67 in mated condition		
Temperature range	-40°C to +85°C		
Mating cycles	≥ 100		

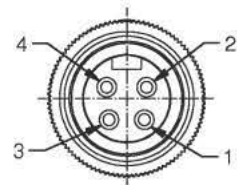
## PRODUCT DRAWING

### Pin Configuration

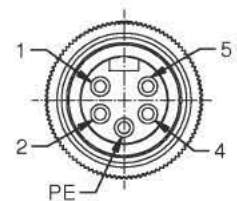
2-pos+ground



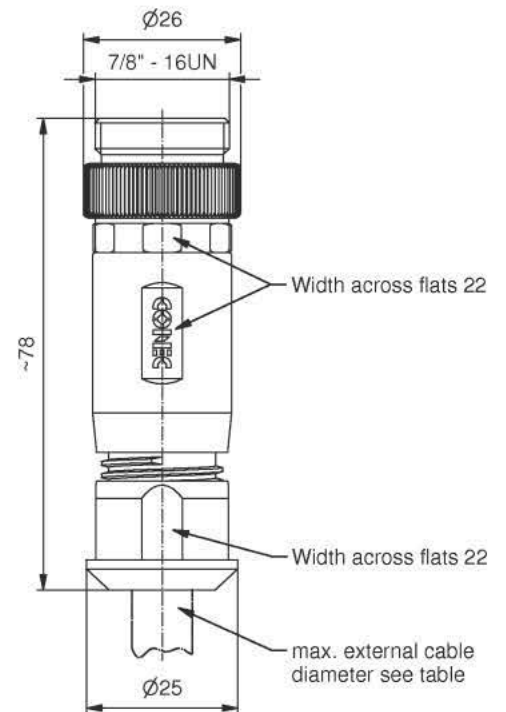
4-pos



4-pos+ground



### Dimension

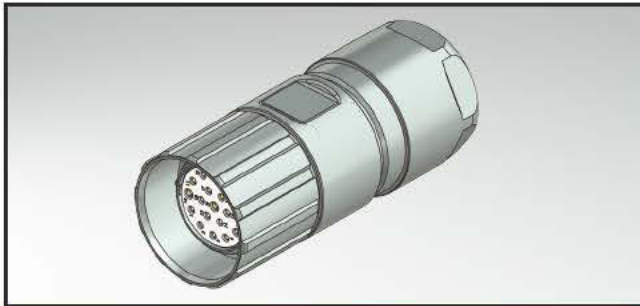


## ORDER DATA

Cable outer diameter	Description	2-pos+ground Part-no.	Description	4-pos Part-no.	Description	4-pos+ground Part-no.
max. Ø6-12mm	SAL-7/8-RSC2PE-S	41-00004	SAL-7/8-RSC4-S	41-00005	SAL-7/8-RSC4PE-S	41-00006

# SAL M23 CONNECTORS

Female connector, axial, field-attachable, crimp connection



RoHS compliant

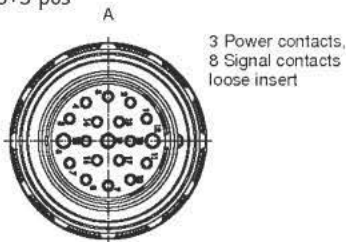
## TECHNICAL DATA

Rated voltage	8+3-pos	16+3-pos
	100V	100V
Current rating	Total ampacity: 3 contacts 10A, 16 contacts 8A at 40°C	
	Total ampacity: 3 contacts 10A, 8 contacts 8A at 40°C	
Pollution degree	3	
Insulation resistance	≥ 100 MΩ	
Degree of protection	IP67 in mated condition	
Temperature range	-40°C to +125°C	
Mating cycles	≥ 100	

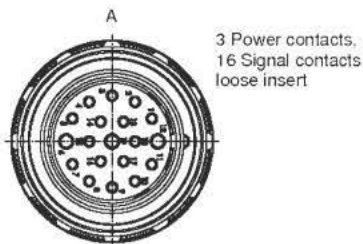
## PRODUCT DRAWING

### Pin Configuration

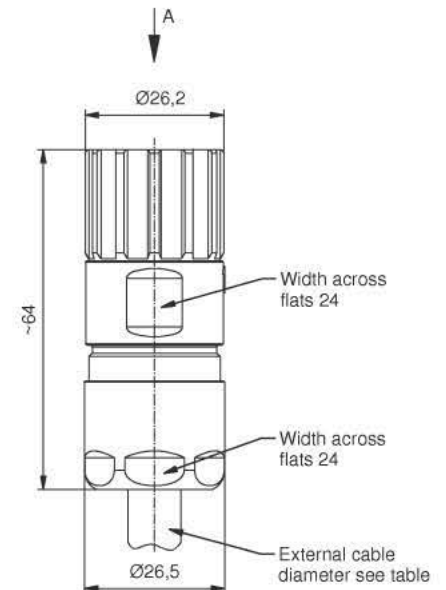
8+3-pos



16+3-pos



### Dimension



## ORDER DATA

Cable outer diameter	Description	8+3-pos Part-no.	Description	16+3-pos Part-no.
3-7mm – 7-12mm – 11-17mm	SAL-23-RKC16.8+3-C	41-90002	SAL-23-RKC16+3-C	41-90000

# SAL M23 CONNECTORS

Female connector, axial, field-attachable, solder connection



RoHS compliant

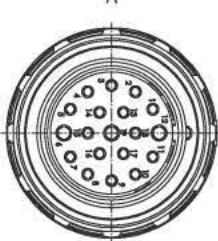
## TECHNICAL DATA

Rated voltage	16+3-pos 100V
Current rating	Total ampacity: 3 contacts 10A, 16 contacts 8A at 40°C
Pollution degree	3
Insulation resistance	>= 100 MΩ
Degree of protection	IP67 in mated condition
Temperature range	-40°C to +125°C
Mating cycles	>= 100

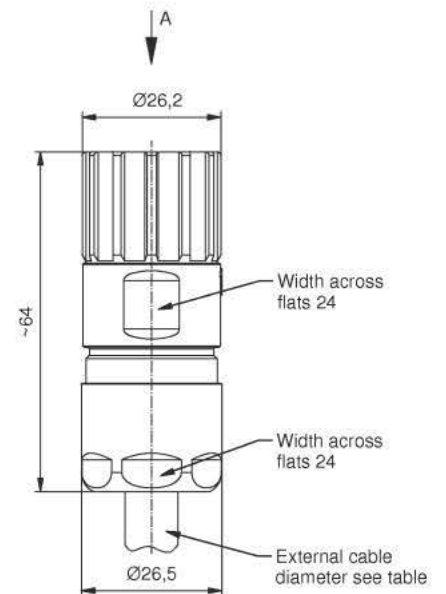
## PRODUCT DRAWING

### Pin Configuration

16+3-pos



### Dimension



## ORDER DATA

Cable outer diameter	Description	16+3-pos Part-no.
3-7mm – 7-12mm – 11-17mm	SAL-23-RKC16+3-L	41-90001

# SAL M23 CONNECTORS

Female connector, axial, with cable



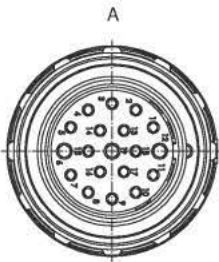
RoHS compliant

## TECHNICAL DATA

Rated voltage	8+3-pos 100V
Current rating	Total ampacity: 3 contacts 10A, 8 contacts 8A at 40°C
Pollution degree	3
Insulation resistance	>= 100 MΩ
Degree of protection	IP67 in mated condition
Temperature range	-40°C to +80°C
Mating cycles	>= 100

## PRODUCT DRAWING

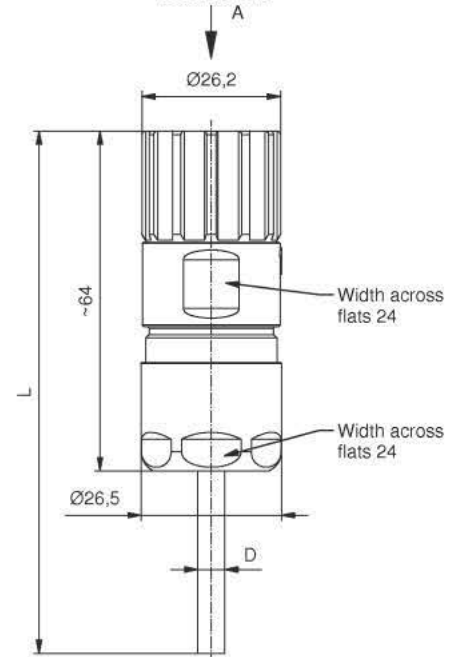
### Pin Configuration



### Contact Assignment

1) n.c.	11) n.c.
2) n.c.	12) green-yellow ( PE )
3) grey	13) n.c.
4) red-blue	14) brown-green
5) green	15) white
6) blue ( - )	16) yellow
7) grey-pink	17) n.c.
8) white-green	18) n.c.
9) n.c.	19) brown ( + )
10) n.c.	( + ), ( - ), ( PE ) = 1,0mm <sup>2</sup>

### Dimension

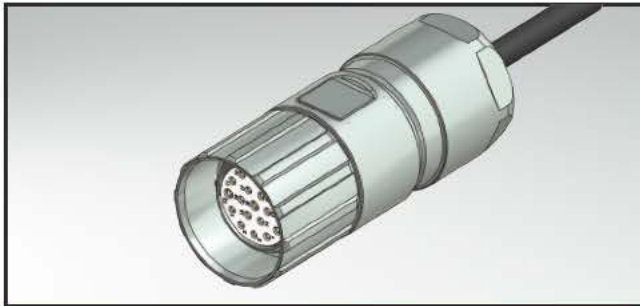


## ORDER DATA

Cable	Length/ L	Description	8+3-pos Part-no.
TPU UL halogenfree black	5m	SAL - 23- RKC16.8+3 -5/ K1	41-90005
Li9Y11Y 8x0,34/3x1,0 mm <sup>2</sup>	10m	SAL - 23- RKC16.8+3-10/ K1	41-90006

# SAL M23 CONNECTORS

Female connector, axial, with cable



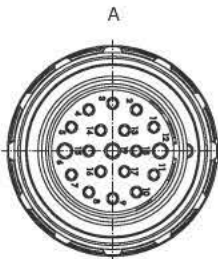
RoHS compliant

## TECHNICAL DATA

Rated voltage	16+3-pos 100V
Current rating	Total ampacity: 3 contacts 10A, 16 contacts 8A at 40°C
Pollution degree	3
Insulation resistance	>= 100 MΩ
Degree of protection	IP67 in mated condition
Temperature range	-40°C to +80°C
Mating cycles	>= 100

## PRODUCT DRAWING

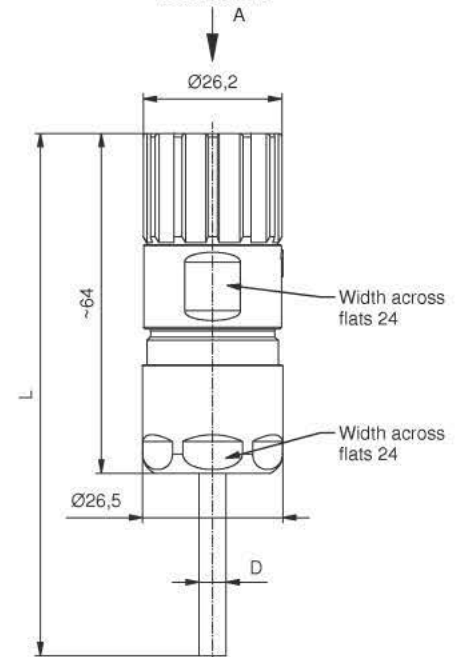
### Pin Configuration



### Contact Assignment

1) violet	11) black
2) red	12) green-yellow ( PE )
3) grey	13) yellow-brown
4) red-blue	14) brown-green
5) green	15) white
6) blue ( - )	16) yellow
7) grey-pink	17) pink
8) white-green	18) grey-brown
9) white-yellow	19) brown ( + )
10) white-grey	( + ), ( - ), ( PE ) = 1,0mm <sup>2</sup>

### Dimension



## ORDER DATA

Cable	Length/ L	Description	16+3-pos Part-no.
TPU UL halogenfree black	5m	SAL-23-RKC16+3-5/ K1	41-90003
Li9Y11Y 16x0,34/3x1,0 mm <sup>2</sup>	10m	SAL-23-RKC16+3-10/ K1	41-90004

# SAL RUND24 CONNECTORS

Female connector, axial, field-attachable with screw-termination



RoHS compliant

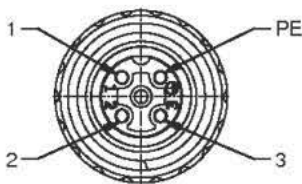
## TECHNICAL DATA

Rated voltage	3-pos+ground	6-pos+ground
	400V	250V
Current rating	16A at +40°C (3-pos+ground)	10A at +40°C (6-pos+ground)
	3 / 2	
Pollution degree	3 / 2	
Insulation resistance	≥ 100 MΩ	
Degree of protection	IP67 in mated condition	
Temperature range	-40°C to +85°C	
Mating cycles	≥ 100	

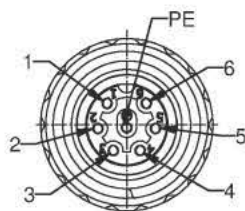
## PRODUCT DRAWING

### Pin Configuration

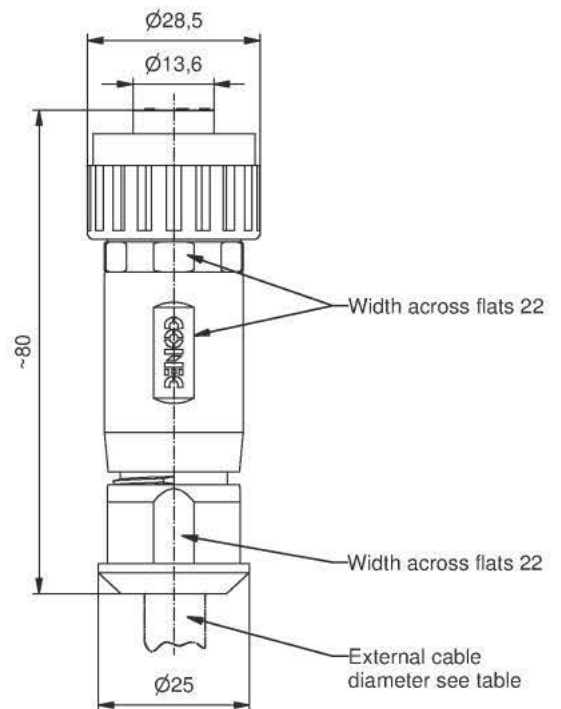
3-pos+ground



6-pos+ground



### Dimension



## ORDER DATA

Cable outer diameter	Description	3-pos+ground Part-no.	Description	6-pos+ground Part-no.
max. Ø6-12mm	SAL-24-RKC3PE-S	41-50000	SAL-24-RKC6PE-S	41-50001

# SAL RUND24 CONNECTORS

Male connector, axial, field-attachable with screw-termination



RoHS compliant

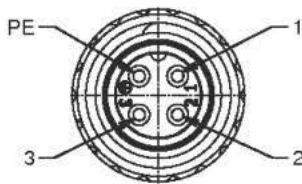
## TECHNICAL DATA

Rated voltage	3-pos+ground	6-pos+ground
	400V	250V
Current rating	16A at +40°C (3-pos+ground)	10A at +40°C (6-pos+ground)
	10A at +40°C (3-pos+ground)	16A at +40°C (6-pos+ground)
Pollution degree	3 / 2	
Insulation resistance	≥ 100 MΩ	
Degree of protection	IP67 in mated condition	
Temperature range	-40°C to +85°C	
Mating cycles	≥ 100	

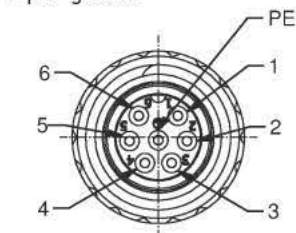
## PRODUCT DRAWING

### Pin Configuration

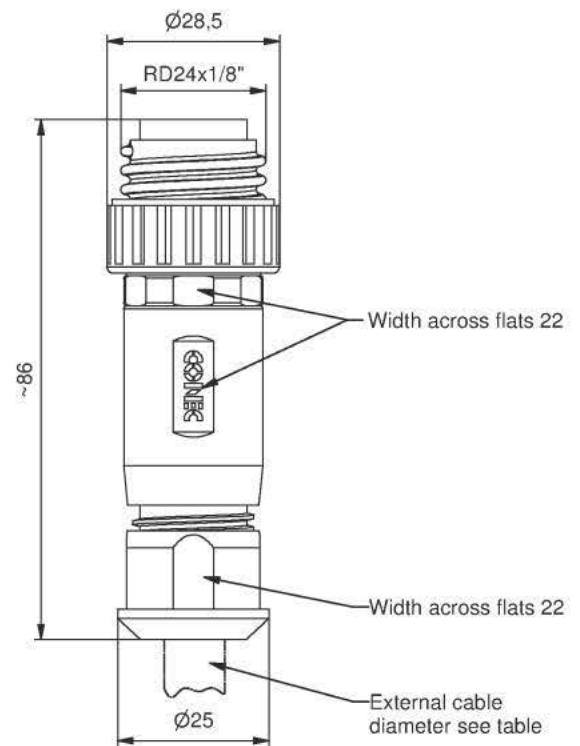
3-pos+ground



6-pos+ground



### Dimension

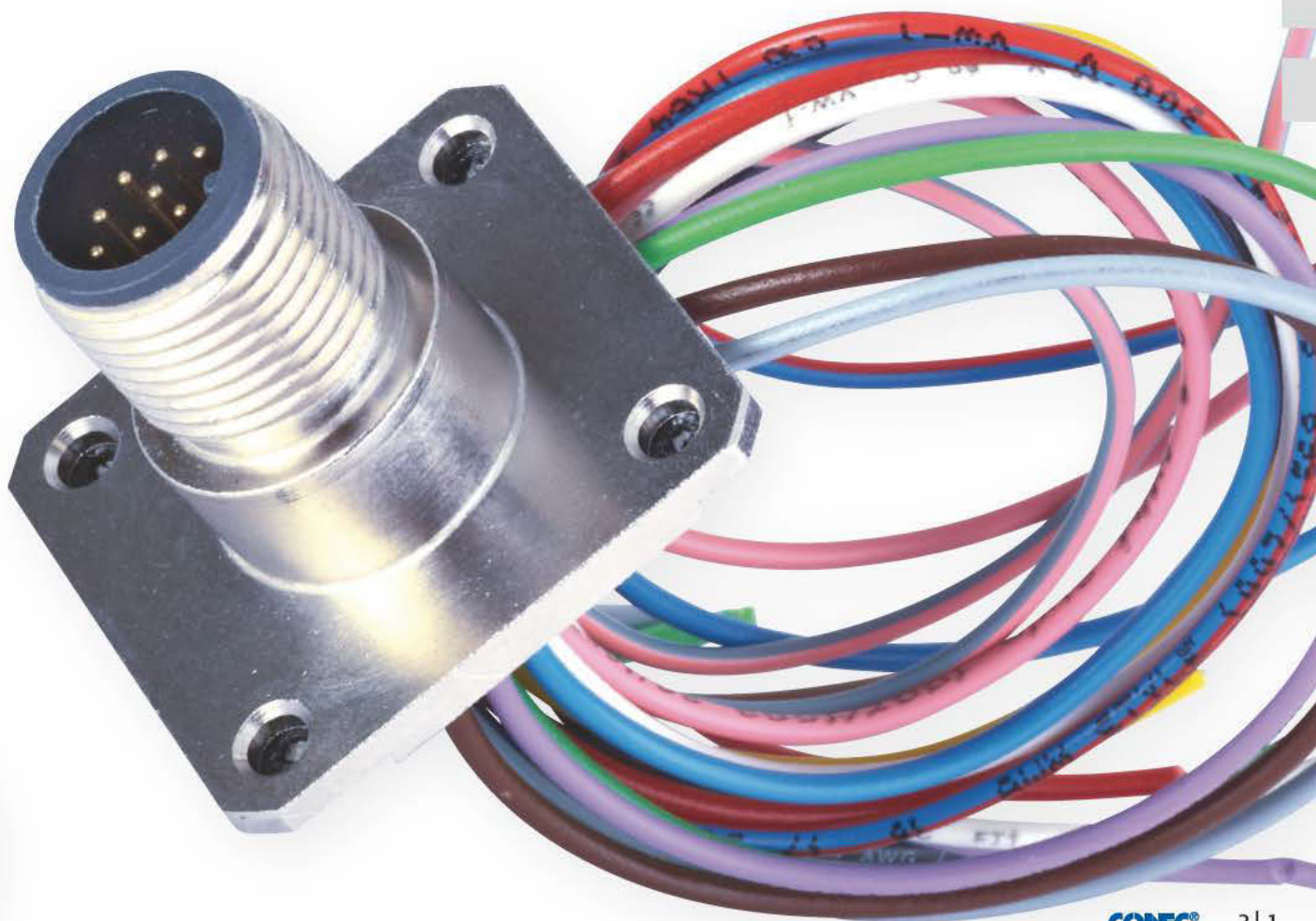


## ORDER DATA

Cable outer diameter	Description	3-pos+ground Part-no.	Description	6-pos+ground Part-no.
max. Ø6-12mm	SAL-24-RSC3PE-S	41-50002	SAL-24-RSC6PE-S	41-50003

SECTION 3  
**SOCKETS**





# SAL M8x1 SOCKETS

## Nomenclature

S A L - 8 - F K - 4 - 0,2 -

**SAL**  
Sensor Actor Line

**Installation size**  
8 = M8x1

**Coding**  
= A-coding  
B = B-coding

**Building**  
F = Socket

**Configuration**  
K = Female connector  
S = Male connector

**Assembly**  
= Frontmounting  
H = Backmounting

**Building**  
= Axial

**Number of poles**  
3 = 3-pos  
4 = 4-pos  
5 = 5-pos  
8 = 8-pos

**Type of connection**  
XX = Length of wire [m]

**Screw connection**  
= M8x0,5

# SAL M8x1 SOCKETS

## Products specification

<b>Basic material</b>	
Contact	CuZn
Contact plating	Nickel-plated, gold-plated
Contact carrier	TPU GF, UL 94 / PA6, UL94
Sealing	NBR
Counter nut	CuZn, nickel-plated
Socket housing	CuZn, nickel-plated
Grouting	Polyurethane-resin, UL 94

<b>Technical Data</b>	
Information on the following pages are basing on below mentioned IEC-standards.	
Rated voltage	IEC 61076-2-104
Current rating	IEC 61076-2-104
Insulation resistance	IEC 60512
Pollution degree	IEC 60664-1
Degree of protection	IEC 60529
Temperature range	IEC 60664-1
Mating cycles	IEC 60512-9a

Recommended torque: 0,6-0,8 Nm

Technical subject to change without notice.

# SAL M12x1 SOCKETS

## Nomenclature

S A L - 1 2 - F K P W 4 - - 0,5 - 9 -

**SAL**  
Sensor Actor Line

**Installation size**  
12 = M12x1

**Coding**  
= A-coding  
S = A-coding shielded

**Building**  
F = Socket

**Configuration**  
K = Female connector  
S = Male connector

**Assembly**  
= Frontmounting  
P = Positioning possible  
H = Backmounting

**Building**  
D = Coupling nut turnable  
V = Square end housing

**Building**  
= Axial  
W = Angled

**Number of poles**  
3 = 3-pos      5 = 5-pos      12 = 12-pos  
4 = 4-pos      8 = 8-pos

**LED-Display**  
= Without LEDs  
4L = 4 LEDs

**Type of termination**  
P5,5 = Length [mm]      P12 = Length [mm]      X5,5 = Headroom [m]  
P6,75 = Length [mm]      XX = Length of wire [m]      X10 = Headroom [m]

**Screw connection**  
= M16x1,5  
9 = PG9  
12 = M12x1

**Dimension**  
20 = □ 20 mm  
26 = □ 26,5 mm

WD = Wall busting

# SAL M12x1 SOCKETS

## Products specification

<b>Basic material</b>	
Contact	CuZn
Contact plating	Nickel-plated, gold-plated
Contact carrier	PBT GF, UL 94 / PA, UL 94 / TPU GF, UL 94
Sealing	FPM / NBR
Counter nut	CuZn, nickel-plated
Socket housing	CuZn, nickel-plated
Grouting	Polyurethane-resin, UL 94
Shroud	Spring steel
Shroud plated	Sn plated
Coupling nut turnable	GD-Zn, nickel-plated
Light conductor	PA 12

### Technical Data

Information on the following pages are basing on below mentioned IEC-standards.

Rated voltage	IEC 61076-2-101
Current rating	IEC 61076-2-101
Insulation resistance	IEC 60512
Pollution degree	IEC 60664-1
Degree of protection	IEC 60529
Temperature range	IEC 60664-1
Mating cycles	IEC 60512-9a

Recommended torque: 0,8-1,2 Nm

Technical subject to change without notice.

# SAL 7/8" SOCKETS

## Nomenclature

S A L - 7 / 8 - F K - 4 - 0,5 / -

**SAL**  
Sensor Actor Line

**Installation size**  
7/8 = 7/8"

**Building**  
F = Socket

**Configuration**  
K = Female connector  
S = Male connector

**Assembly**  
= Frontmounting  
H = Backmounting

**Number of poles**  
2 PE = 2-pol+PE  
4 = 4-pol  
4 PE = 4-pol+PE

**Type of connection**  
P10 = Length [mm]  
X10 = Headroom [mm]

**Terminal cross-section**  
= 0,75 mm<sup>2</sup>  
150 = 1,50 mm<sup>2</sup>

**Screw connection**  
= PG13,5  
11 = PG11

# SAL 7/8" SOCKETS

## Productspecification

<b>Basic material</b>	
Contact	CuZn
Contact plating	Nickel-plated, gold-plated
Contact carrier	TPU, UL 94
Sealing	FPM
Counter nut	CuZn, nickel-plated
Socket housing	CuZn, nickel-plated
Grouting	Polyurethane-resin, UL 94
Shroud	CuSn6
Shroud plated	Sn plated

### Technical Data

Information on the following pages are basing on below mentioned IEC-standards.

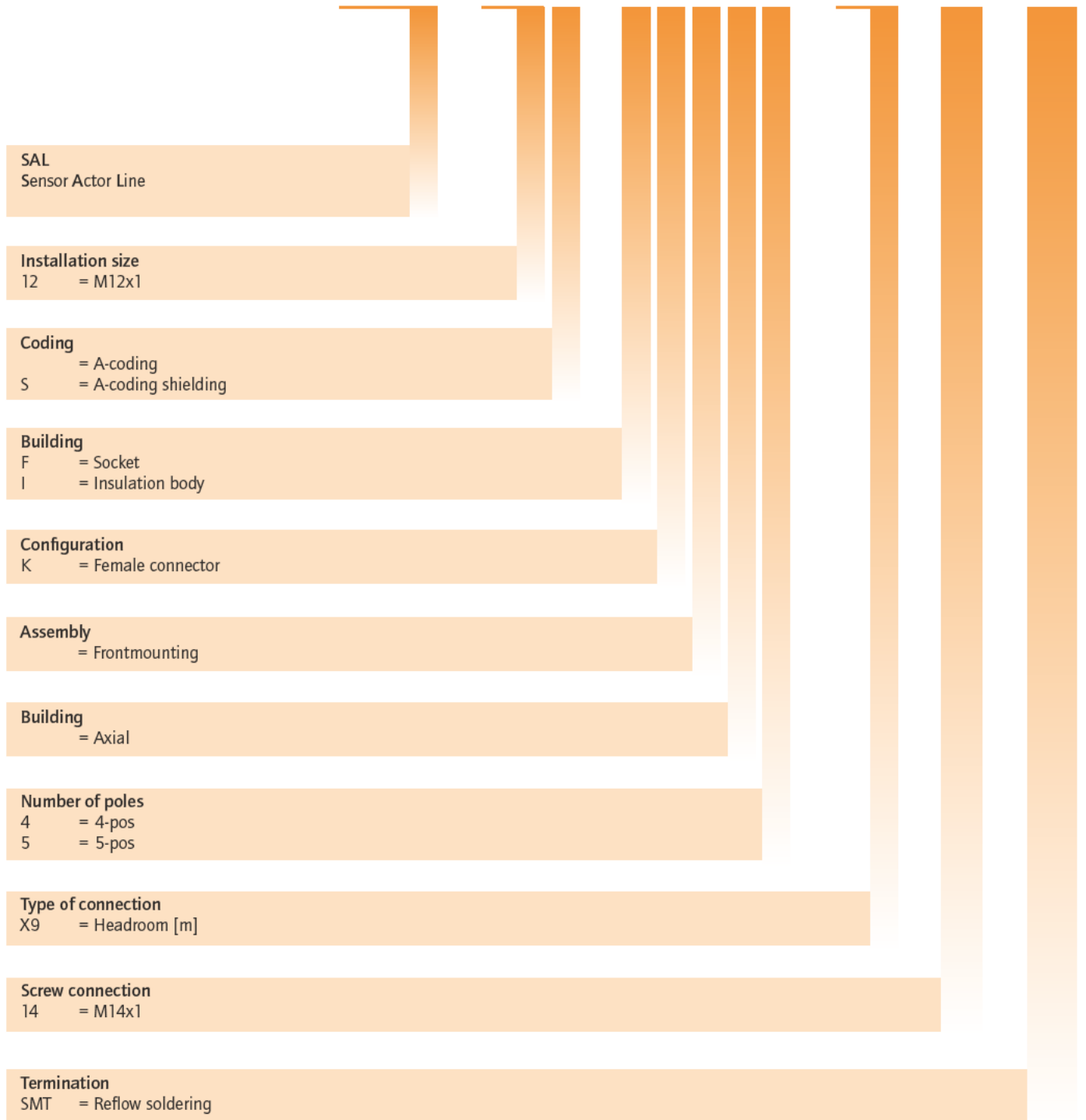
Rated voltage	IEC 61076-2-101
Overvoltage category	IEC 60664-1 2
Overvoltage impulse	IEC 60664-1 2,7kV
Current rating	IEC 60512-3
Insulation resistance	IEC 60512
Pollution degree	IEC 60664-1
Degree of protection	IEC 60529
Temperature range	IEC 60664-1
Mating cycles	IEC 60512-9a

Technical subject to change without notice.

# SAL M12x1 SOCKETS SMT

## Nomenclature

S A L - 1 2 - F K 4 - X 9 / 14 / SMT



# SAL M12x1 SOCKETS SMT

## Products specification

<b>Basic material</b>	
Contact	CuZn
Contact plating	Nickel-plated, gold-plated
Contact carrier	LCP / PA
Soldering sheet	CuZn, nickel-plated
Socket housing	CuZn, nickel-plated
Sealing	FPM
Shroud	CuZn, nickel-plated

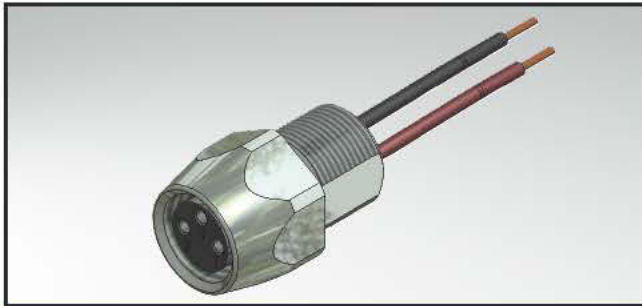
<b>Technical Data</b>	
Information on the following pages are basing on below mentioned IEC-standards.	
Rated voltage	IEC 61076-2-101
Current rating	IEC 61076-2-101
Insulation resistance	IEC 60512
Pollution degree	IEC 60664-1
Temperature range	IEC 60664-1
Mating cycles	IEC 60512-9a

Recommended torque: 0,8-1 Nm

Technical subject to change without notice.

# SAL M8x1 CONNECTORS

Female socket with wire, frontmounting, M8x0,5-thread



RoHS compliant

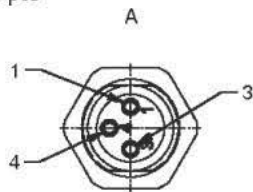
### TECHNICAL DATA

Rated voltage	3-pos	4-pos	8-pos
	60V	30V	30V
Current rating	3A at +40°C (3- and 4-pos)		
	1,5A at +40°C (8-pos)		
Pollution degree	3 / 2		
Insulation resistance	≥ 100 MΩ		
Degree of protection	IP67 in mated condition		
Temperature range	-30°C to +80°C		
Mating cycles	≥ 100		

### PRODUCT DRAWING

#### Pin Configuration

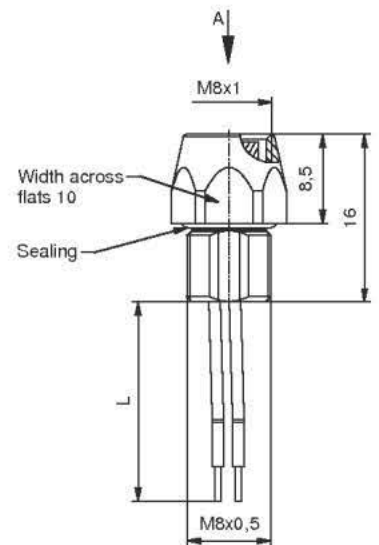
3-pos



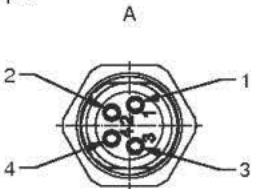
#### Contact Assignment

- 1) brown
- 2) white
- 3) blue
- 4) black

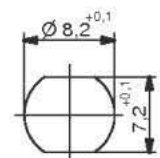
#### Dimension



4-pos

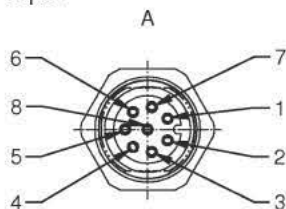


#### Cut-Out Front Panel



Minimum wall thickness 1,5mm, alternaty panel cut-out d=8,2

8-pos



- 1) white
- 2) brown
- 3) green
- 4) yellow
- 5) grey
- 6) pink
- 7) blue
- 8) red

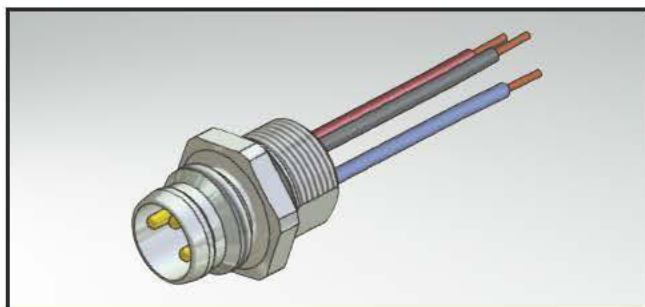
### ORDER DATA

Wire	Length/L	Description	3-pos Part-no.	Description	4-pos Part-no.	Description	8-pos Part-no.
PVC, AWG24, UL	0,2m	SAL-8-FK3-0,2	42-01000	SAL-8-FK4-0,2	42-01001		
PVC, AWG26, UL	0,2m					SAL-8-FK8-0,2	42-01070

Accessories (hex nut) in section 9

# SAL M8x1 CONNECTORS

Male socket with wire, frontmounting, M8x0,5-thread



RoHS compliant

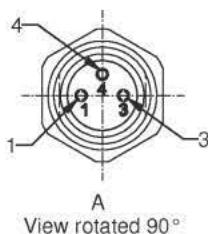
### TECHNICAL DATA

Rated voltage	3-pos	4-pos
	60V	30V
Current rating	3A at +40°C	
Pollution degree	3 / 2	
Insulation resistance	≥ 100 MΩ	
Degree of protection	IP67 in mated condition	
Temperature range	-30°C to +80°C	
Mating cycles	≥ 100	

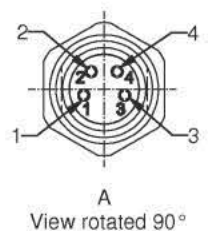
### PRODUCT DRAWING

#### Pin Configuration

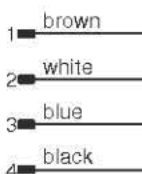
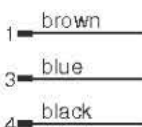
3-pos



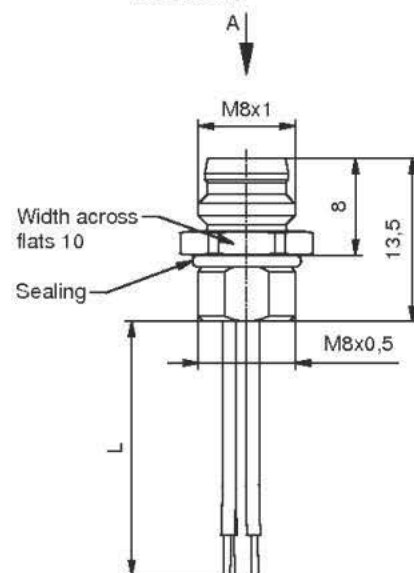
4-pos



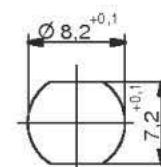
#### Contact Assignment



#### Dimension



#### Cut-Out Front Panel



Minimum wall thickness  
1,5mm, alternativ panel  
cut-out d=8,2

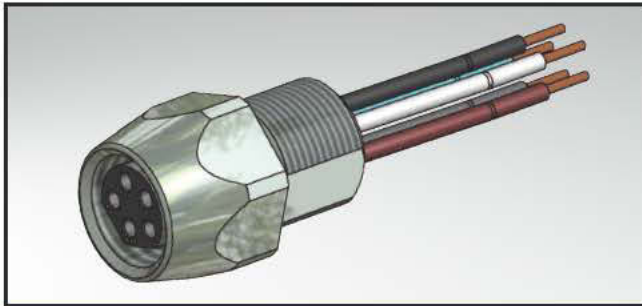
### ORDER DATA

Wire	Length/L	Description	3-pos Part-no.	Description	4-pos Part-no.
PVC, AWG24, UL	0,2m	SAL-8-FS3-0,2	42-01032	SAL-8-FS4-0,2	42-01033

Accessories (hex nut) in section 9

# SAL M8x1 CONNECTORS

Male socket with wire, frontmounting, M8x0,5-thread, B-coding



RoHS compliant

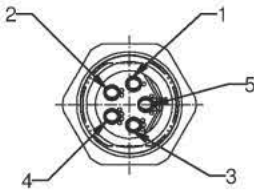
### TECHNICAL DATA

Rated voltage	5-pos 30V
Current rating	3A at +40°C
Pollution degree	3 / 2
Insulation resistance	>= 100 MΩ
Degree of protection	IP67 in mated condition
Temperature range	-30°C to +80°C
Mating cycles	>= 100

### PRODUCT DRAWING

#### Pin Configuration

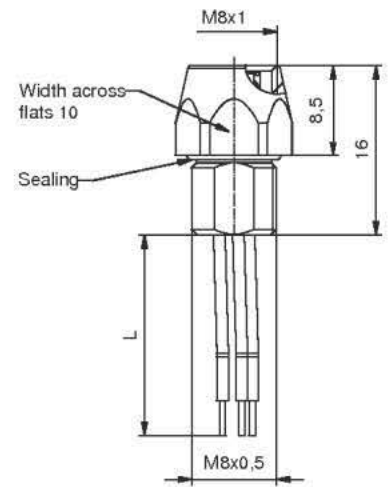
5-pos



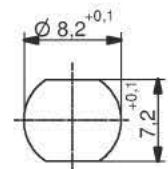
#### Contact Assignment

- 1) brown
- 2) white
- 3) blue
- 4) black
- 5) grey

#### Dimension



#### Cut-Out Front Panel



Minimum wall thickness  
1,5mm, alternativ panel  
cut-out d=8,2

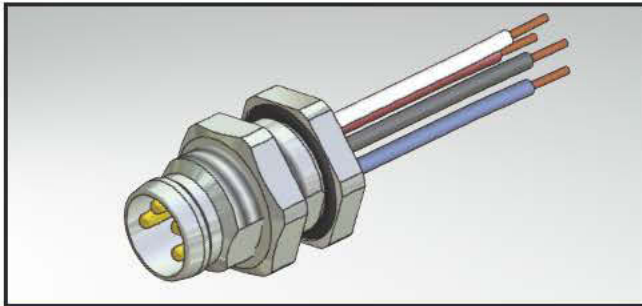
### ORDER DATA

Wire	Length / L	Description	5-pos Part-no.
PVC, AWG24, UL	0,2m	SAL-8B-FK5.1-0,2	42-01069

Accessories (hex nut) in section 9

# SAL M8x1 CONNECTORS

Male socket with wire, backmounting, M8x0,5-thread



RoHS compliant

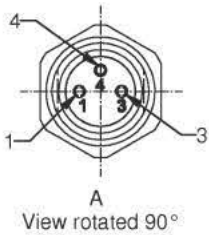
## TECHNICAL DATA

Rated voltage	3-pos	4-pos
	60V	30V
Current rating	3A at +40°C	
Pollution degree	3 / 2	
Insulation resistance	≥ 100 MΩ	
Degree of protection	IP67 in mated condition	
Temperature range	-30°C to +80°C	
Mating cycles	≥ 100	

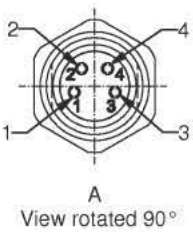
## PRODUCT DRAWING

### Pin Configuration

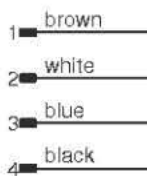
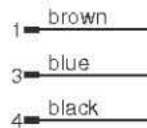
3-pos



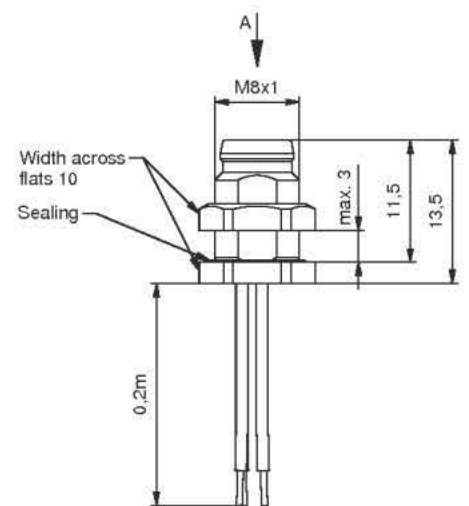
4-pos



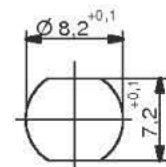
### Contact Assignment



### Dimension



### Cut-Out Front Panel



Minimum wall thickness  
1,5mm, alternativ panel  
cut-out d=8,2

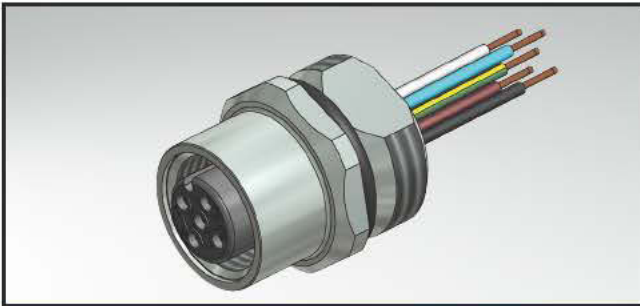
## ORDER DATA

Wire	Length/L	Description	3-pos Part-no.	Description	4-pos Part-no.
PVC, AWG24, UL	0,2m	SAL-8-FSH3-0,2	42-01034	SAL-8-FSH4-0,2	42-01035

Accessories (hex nut) in section 9

# SAL M12x1 CONNECTORS

Female socket with wire, frontmounting, M16x1,5-thread



RoHS compliant – UL listed, File no.: CYJV2.E318363

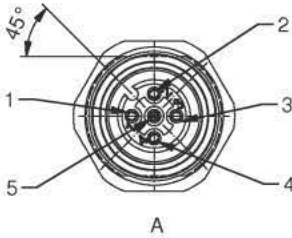
### TECHNICAL DATA

Rated voltage	4-pos	5-pos	8-pos
	250V	60V	30V
Current rating	4A at +40°C (4- and 5-pos)		
	2A at +40°C (8-pos)		
Pollution degree	3 / 2		
Insulation resistance	≥ 100 MΩ		
Degree of protection	IP67 in mated condition		
Temperature range	-30°C to +80°C		
Mating cycles	≥ 100		

### PRODUCT DRAWING

#### Pin Configuration

4/5-pos

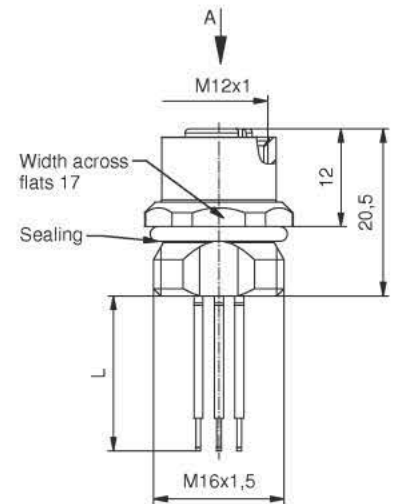


#### Contact Assignment

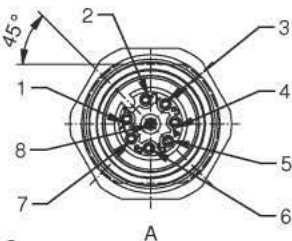
5-pos

- 1) brown
- 2) white
- 3) blue
- 4) black
- 5) green-yellow

#### Dimension



8-pos



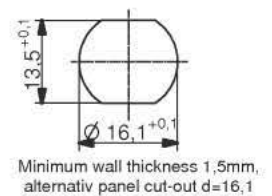
5.1-pos

- 1) brown
- 2) white
- 3) blue
- 4) black
- 5) grey

8-pos

- 1) white
- 2) brown
- 3) green
- 4) yellow
- 5) grey
- 6) pink
- 7) blue
- 8) red

#### Cut-Out Front Panel



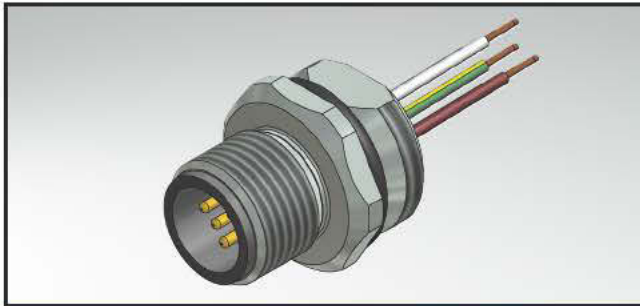
### ORDER DATA

Wire	Length/L	Description	4-pos Part-no.	Description	5-pos Part-no.	Description	8-pos Part-no.
PVC, AWG24, UL	0,5m	SAL-12-FK4-0,5	43-01000	SAL-12-FK5-0,5	43-01001	SAL-12-FK8-0,5	43-01002
	0,5m			SAL-12-FK5.1-0,5	43-01045		

Accessories (hex nut) in section 9

# SAL M12x1 CONNECTORS

Male socket with wire, frontmounting, M16x1,5-thread



RoHS compliant – UL listed, File no.: CYJV2.E318363

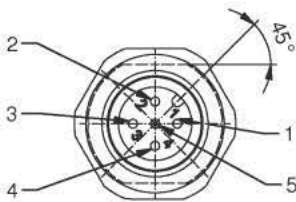
### TECHNICAL DATA

Rated voltage	4-pos	5-pos	8-pos
	250V	60V	30V
Current rating	4A at +40°C (4- and 5-pos)		
	2A at +40°C (8-pos)		
Pollution degree	3 / 2		
Insulation resistance	≥ 100 MΩ		
Degree of protection	IP67 in mated condition		
Temperature range	-30°C to +80°C		
Mating cycles	≥ 100		

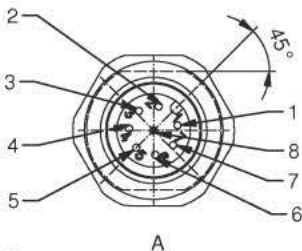
### PRODUCT DRAWING

#### Pin Configuration

4/5-pos



8-pos



A

#### Contact Assignment

5-pos

- 1 brown
- 2 white
- 3 blue
- 4 black
- 5 green-yellow

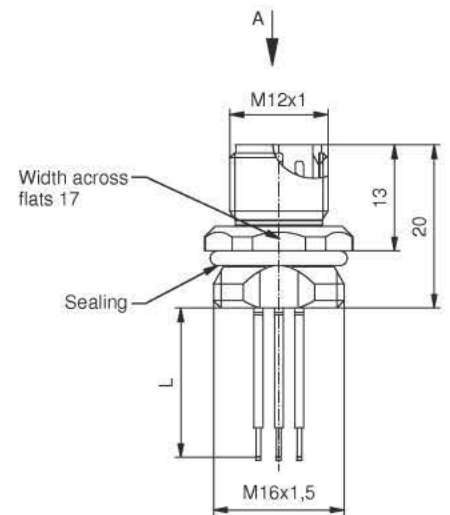
5.1-pos

- 1 brown
- 2 white
- 3 blue
- 4 black
- 5 grey

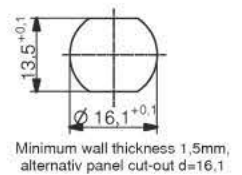
8-pos

- 1 white
- 2 brown
- 3 green
- 4 yellow
- 5 grey
- 6 pink
- 7 blue
- 8 red

#### Dimension



#### Cut-Out Front Panel



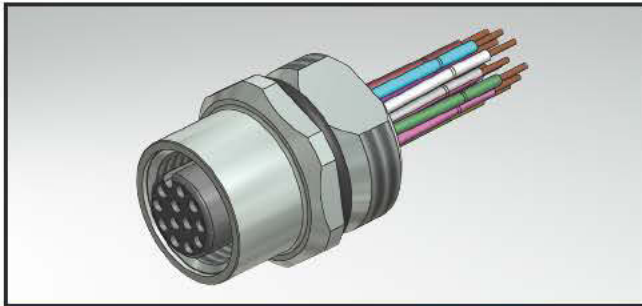
### ORDER DATA

Wire	Length/L	Description	4-pos Part-no.	Description	5-pos Part-no.	Description	8-pos Part-no.
PVC, AWG24, UL	0,5m	SAL-12-FS4-0,5	43-01009	SAL-12-FS5-0,5	43-01010	SAL-12-FS8-0,5	43-01011
	0,5m			SAL-12-FS5.1-0,5	43-01049		

Accessories (hex nut) in section 9

# SAL M12x1 CONNECTORS

Female socket with wire, frontmounting, M16x1,5-thread



RoHS compliant – UL listed, File no.: CYJV2.E318363

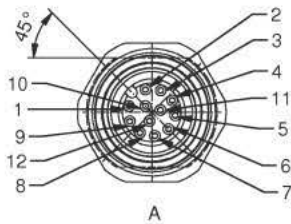
## TECHNICAL DATA

Rated voltage	12-pos 30V
Current rating	1,5A at +40°C
Pollution degree	3 / 2
Insulation resistance	>= 100 MΩ
Degree of protection	IP67 in mated condition
Temperature range	-30°C to +80°C
Mating cycles	>= 100

## PRODUCT DRAWING

### Pin Configuration

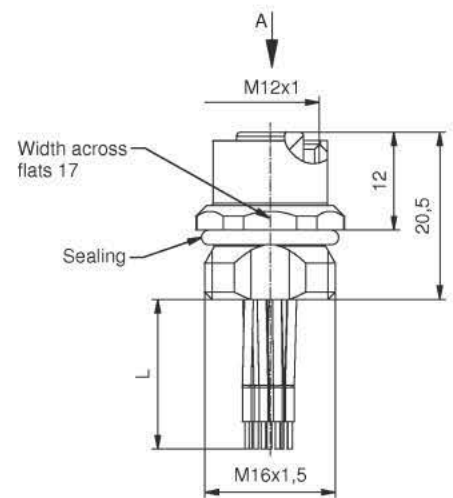
12-pos



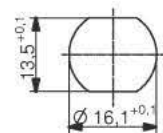
### Contact Assignment

1) brown	7) black
2) blue	8) grey
3) white	9) red
4) green	10) violet
5) pink	11) grey-pink
6) yellow	12) red-blue

### Dimension



### Cut-Out Front Panel



Minimum wall thickness 1,5mm,  
alternativ panel cut-out d=16,1

## ORDER DATA

Wire	Length/L	Description	12-pos Part-no.
PVC, AWG26, UL	0,5m	SAL-12-FK12-0,5	43-01331

Accessories (hex nut) in section 9

# SAL M12x1 CONNECTORS

Male socket with wire, frontmounting, M16x1,5-thread



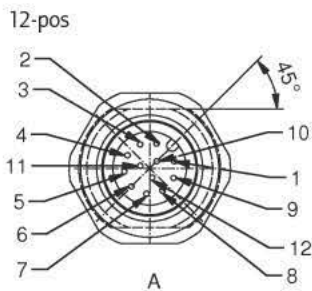
RoHS compliant – UL listed, File no.: CYJV2.E318363

### TECHNICAL DATA

Rated voltage	12-pos 30V
Current rating	1,5A at +40°C
Pollution degree	3 / 2
Insulation resistance	>= 100 MΩ
Degree of protection	IP67 in mated condition
Temperature range	-30°C to +80°C
Mating cycles	>= 100

### PRODUCT DRAWING

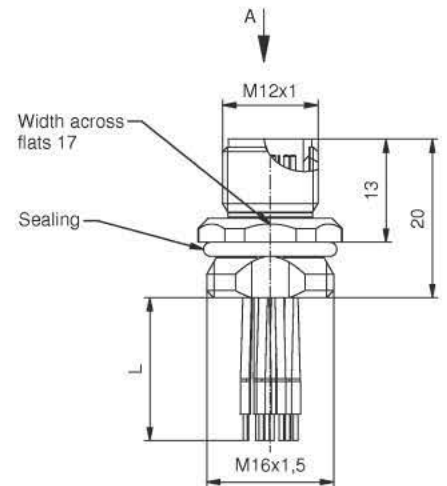
#### Pin Configuration



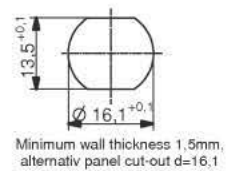
#### Contact Assignment

1 — brown	7 — black
2 — blue	8 — grey
3 — white	9 — red
4 — green	10 — violet
5 — pink	11 — grey-pink
6 — yellow	12 — red-blue

#### Dimension



#### Cut-Out Front Panel



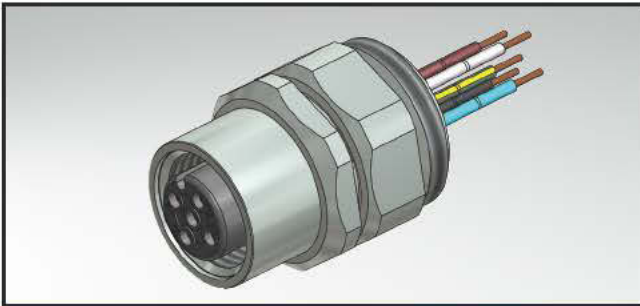
### ORDER DATA

Wire	Length/L	Description	12-pos Part-no.
PVC, AWG26, UL	0,5m	SAL-12-FS12-0,5	43-01330

Accessories (hex nut) in section 9

# SAL M12x1 CONNECTORS

Female socket with wire, frontmounting, positioning possible, M16x1,5-thread



RoHS compliant – UL listed, File no.: CYJV2.E318363

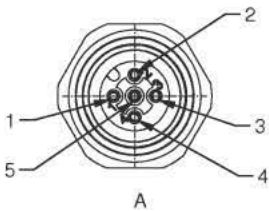
### TECHNICAL DATA

Rated voltage	4-pos	5-pos	8-pos
	250V	60V	30V
Current rating	4A at +40°C (4- and 5-pos)		
	2A at +40°C (8-pos)		
Pollution degree	3 / 2		
Insulation resistance	≥ 100 MΩ		
Degree of protection	IP67 in mated condition		
Temperature range	-30°C to +80°C		
Mating cycles	≥ 100		

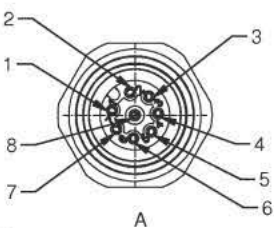
### PRODUCT DRAWING

#### Pin Configuration

4/5-pos



8-pos



#### Contact Assignment

5-pos

- 1) brown
- 2) white
- 3) blue
- 4) black
- 5) green-yellow

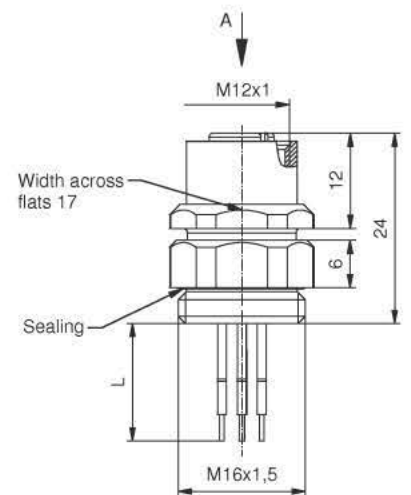
5.1-pos

- 1) brown
- 2) white
- 3) blue
- 4) black
- 5) grey

8-pos

- 1) white
- 2) brown
- 3) green
- 4) yellow
- 5) grey
- 6) pink
- 7) blue
- 8) red

#### Dimension



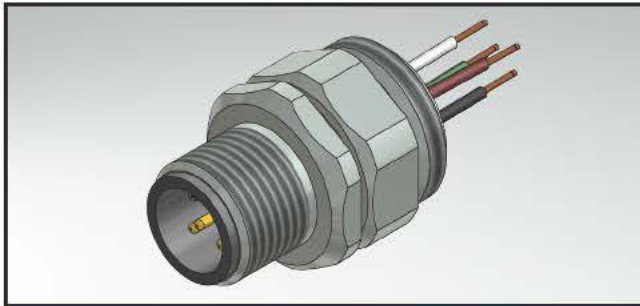
### ORDER DATA

Wire	Length/L	Description	4-pos Part-no.	Description	5-pos Part-no.	Description	8-pos Part-no.
PVC, AWG24, UL	0,5m	SAL-12-FKP4-0,5	43-01006	SAL-12-FKP5-0,5	43-01007	SAL-12-FKP8-0,5	43-01008
	0,5m			SAL-12-FKP5.1-0,5	43-01053		

Accessories (hex nut) in section 9

# SAL M12x1 CONNECTORS

Male socket with wire, frontmounting, positioning possible, M16x1,5-thread



RoHS compliant – UL listed, File no.: CYJV2.E318363

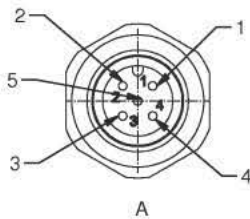
### TECHNICAL DATA

Rated voltage	4-pos	5-pos	8-pos
	250V	60V	30V
Current rating	4A at +40°C (4- and 5-pos)		
	2A at +40°C (8-pos)		
Pollution degree	3 / 2		
Insulation resistance	≥ 100 MΩ		
Degree of protection	IP67 in mated condition		
Temperature range	-30°C to +80°C		
Mating cycles	≥ 100		

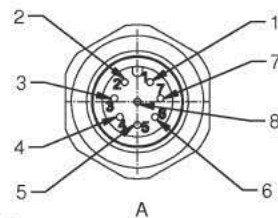
### PRODUCT DRAWING

#### Pin Configuration

4/5-pos



8-pos



#### Contact Assignment

5-pos

- 1 brown
- 2 white
- 3 blue
- 4 black
- 5 green-yellow

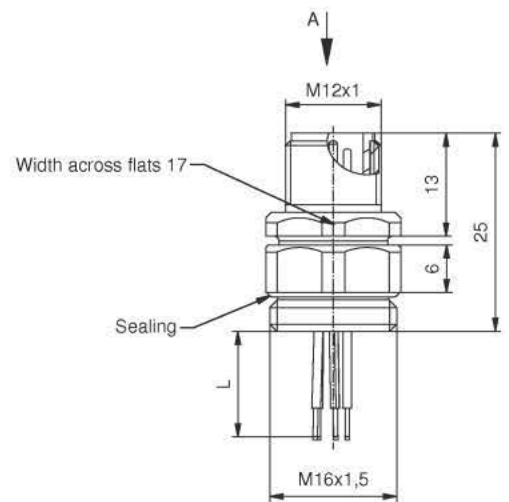
5.1-pos

- 1 brown
- 2 white
- 3 blue
- 4 black
- 5 grey

8-pos

- 1 white
- 2 brown
- 3 green
- 4 yellow
- 5 grey
- 6 pink
- 7 blue
- 8 red

#### Dimension



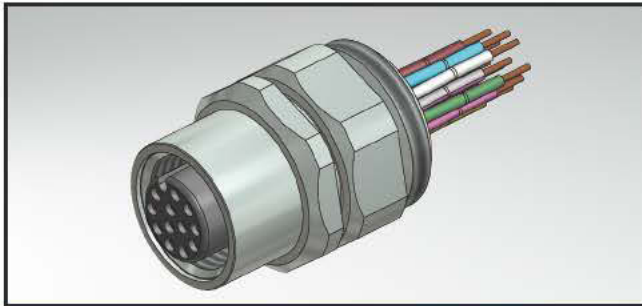
### ORDER DATA

Wire	Length/L	Description	4-pos Part-no.	Description	5-pos Part-no.	Description	8-pos Part-no.
PVC, AWG24, UL	0,5m	SAL-12-FSP4-0,5	43-01015	SAL-12-FSP5-0,5	43-01016	SAL-12-FSP8-0,5	43-01017
	0,5m			SAL-12-FSP5.1-0,5	43-01054		

Accessories (hex nut) in section 9

# SAL M12x1 CONNECTORS

Female socket with wire, frontmounting, positioning possible, M16x1,5-thread



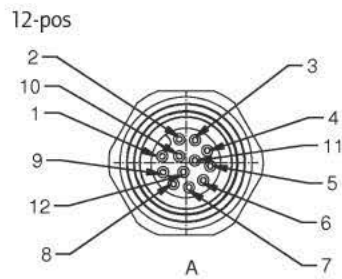
RoHS compliant – UL listed, File no.: CYJV2.E318363

### TECHNICAL DATA

Rated voltage	12-pos 30V
Current rating	1,5A at +40°C
Pollution degree	3 / 2
Insulation resistance	>= 100 MΩ
Degree of protection	IP67 in mated condition
Temperature range	-30°C to +80°C
Mating cycles	>= 100

### PRODUCT DRAWING

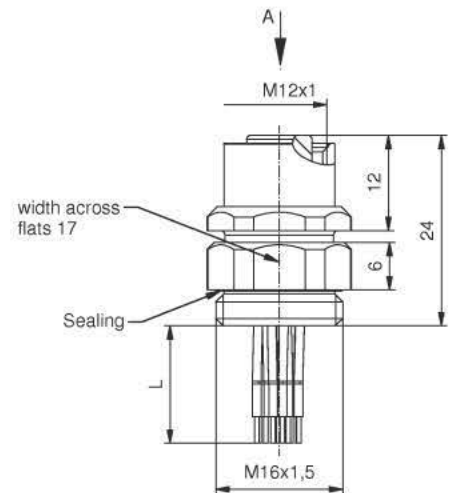
#### Pin Configuration



#### Contact Assignment

1) brown	7) black
2) blue	8) grey
3) white	9) red
4) green	10) violet
5) pink	11) grey-pink
6) yellow	12) red-blue

#### Dimension



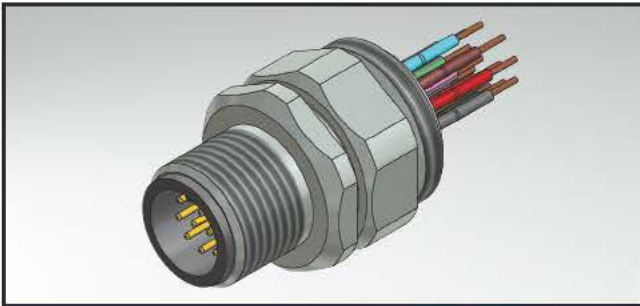
### ORDER DATA

Wire	Length/L	Description	12-pos Part-no.
PVC, AWG26, UL	0,5m	SAL-12-FKP12-0,5	43-01341

Accessories (hex nut) in section 9

# SAL M12x1 CONNECTORS

Male socket with wire, frontmounting, positioning possible, M16x1,5-thread



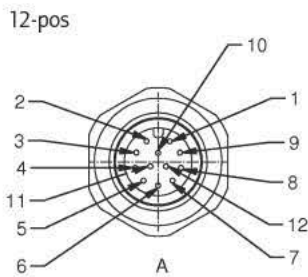
RoHS compliant – UL listed, File no.: CYJV2.E318363

### TECHNICAL DATA

Rated voltage	12-pos 30V
Current rating	1,5A at +40°C
Pollution degree	3 / 2
Insulation resistance	>= 100 MΩ
Degree of protection	IP67 in mated condition
Temperature range	-30°C to +80°C
Mating cycles	>= 100

### PRODUCT DRAWING

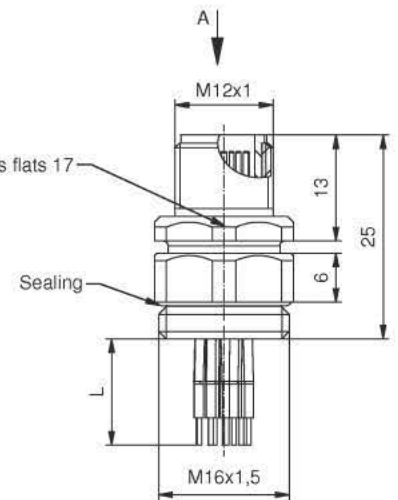
#### Pin Configuration



#### Contact Assignment

1 — brown	7 — black
2 — blue	8 — grey
3 — white	9 — red
4 — green	10 — violet
5 — pink	11 — grey-pink
6 — yellow	12 — red-blue

#### Dimension



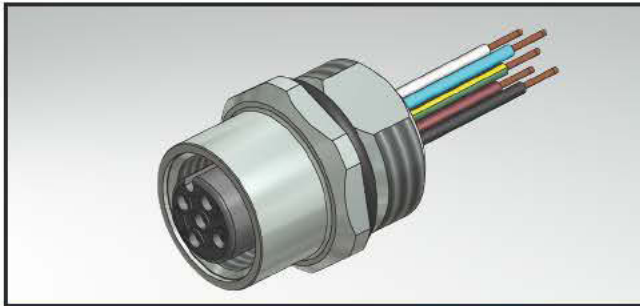
### ORDER DATA

Wire	Length/L	Description	12-pos Part-no.
PVC, AWG26, UL	0,5m	SAL-12-FSP12-0,5	43-01342

Accessories (hex nut) in section 9

# SAL M12x1 CONNECTORS

Female socket with wire, frontmounting, PG9-thread



RoHS compliant – UL listed, File no.: CYJV2.E318363

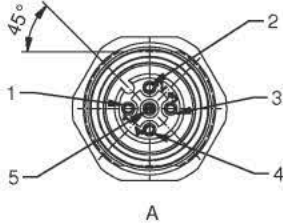
## TECHNICAL DATA

Rated voltage	4-pos	5-pos	8-pos
	250V	60V	30V
Current rating	4A at +40°C (4- and 5-pos)		
	2A at +40°C (8-pos)		
Pollution degree	3 / 2		
Insulation resistance	≥ 100 MΩ		
Degree of protection	IP67 in mated condition		
Temperature range	-30°C to +80°C		
Mating cycles	≥ 100		

## PRODUCT DRAWING

### Pin Configuration

4/5-pos

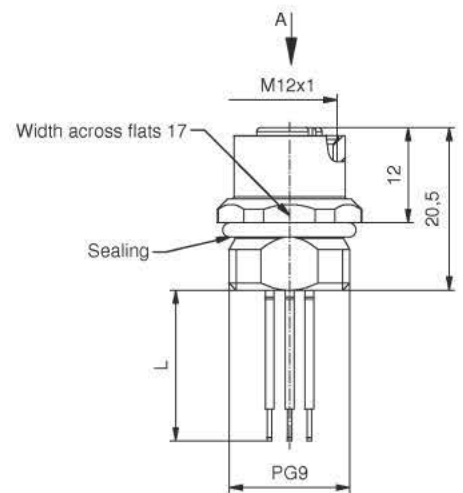


### Contact Assignment

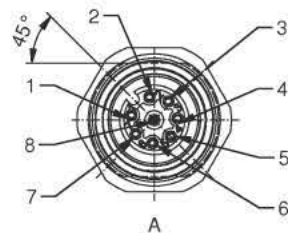
5-pos

- 1) brown
- 2) white
- 3) blue
- 4) black
- 5) green-yellow

### Dimension



8-pos



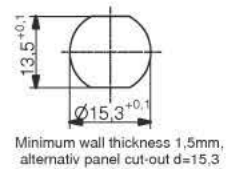
5.1-pos

- 1) brown
- 2) white
- 3) blue
- 4) black
- 5) grey

8-pos

- 1) white
- 2) brown
- 3) green
- 4) yellow
- 5) grey
- 6) pink
- 7) blue
- 8) red

### Cut-Out Front Panel



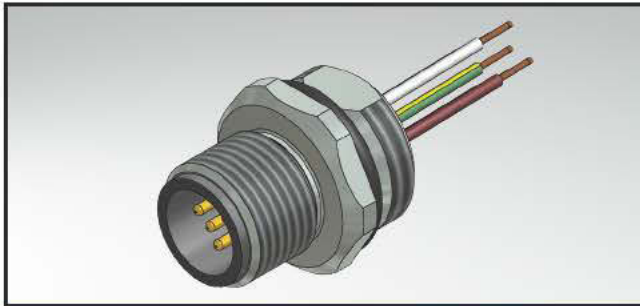
## ORDER DATA

Wire	Length/L	Description	4-pos Part-no.	Description	5-pos Part-no.	Description	8-pos Part-no.
PVC, AWG24, UL	0,5m	SAL-12-FK4-0,5-9	43-01073	SAL-12-FK5-0,5-9	43-01075	SAL-12-FK8-0,5-9	43-01097
	0,5m			SAL-12-FK5.1-0,5-9	43-01074		

Accessories (hex nut) in section 9

# SAL M12x1 CONNECTORS

Male socket with wire, frontmounting, PG9-thread



RoHS compliant – UL listed, File no.: CYJV2.E318363

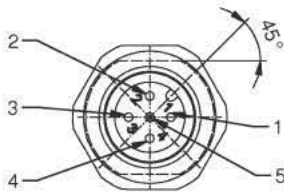
## TECHNICAL DATA

Rated voltage	4-pos	5-pos	8-pos
	250V	60V	30V
Current rating	4A at +40°C (4- and 5-pos)		
	2A at +40°C (8-pos)		
Pollution degree	3 / 2		
Insulation resistance	≥ 100 MΩ		
Degree of protection	IP67 in mated condition		
Temperature range	-30°C to +80°C		
Mating cycles	≥ 100		

## PRODUCT DRAWING

### Pin Configuration

4/5-pos

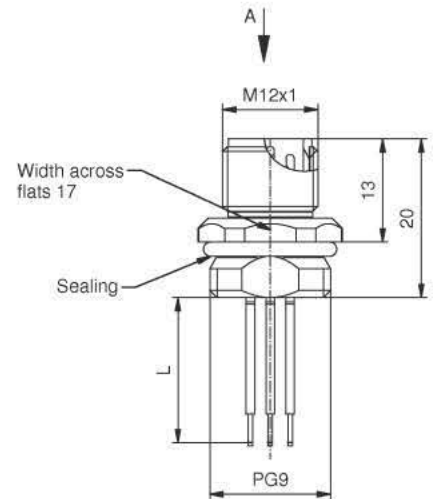


### Contact Assignment

5-pos

- 1 brown
- 2 white
- 3 blue
- 4 black
- 5 green-yellow

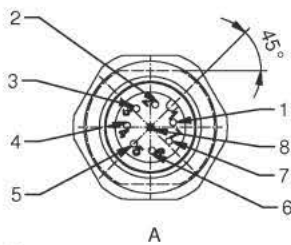
### Dimension



5.1-pos

- 1 brown
- 2 white
- 3 blue
- 4 black
- 5 grey

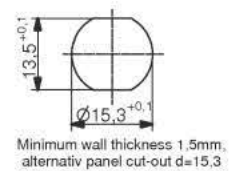
8-pos



8-pos

- 1 white
- 2 brown
- 3 green
- 4 yellow
- 5 grey
- 6 pink
- 7 blue
- 8 red

### Cut-Out Front Panel



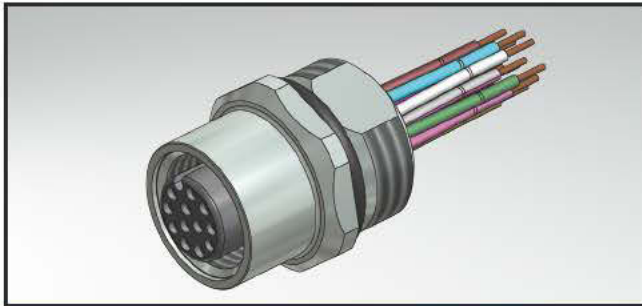
## ORDER DATA

Wire	Length/ L	Description	4-pos Part-no.	Description	5-pos Part-no.	Description	8-pos Part-no.
PVC, AWG24, UL	0,5m	SAL-12-FS4-0,5-9	43-01082	SAL-12-FS5-0,5-9	43-01084	SAL-12-FS8-0,5-9	43-01099
	0,5m			SAL-12-FS5.1-0,5-9	43-01083		

Accessories (hex nut) in section 9

# SAL M12x1 CONNECTORS

Female socket with wire, frontmounting, PG9-thread



RoHS compliant – UL listed, File no.: CYJV2.E318363

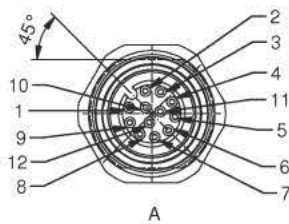
### TECHNICAL DATA

Rated voltage	12-pos 30V
Current rating	1,5A at +40°C
Pollution degree	3 / 2
Insulation resistance	>= 100 MΩ
Degree of protection	IP67 in mated condition
Temperature range	-30°C to +80°C
Mating cycles	>= 100

### PRODUCT DRAWING

#### Pin Configuration

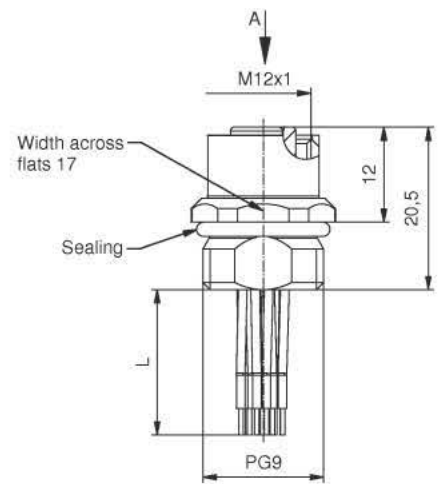
12-pos



#### Contact Assignment

1) brown	7) black
2) blue	8) grey
3) white	9) red
4) green	10) violet
5) pink	11) grey-pink
6) yellow	12) red-blue

#### Dimension



#### Cut-Out Front Panel



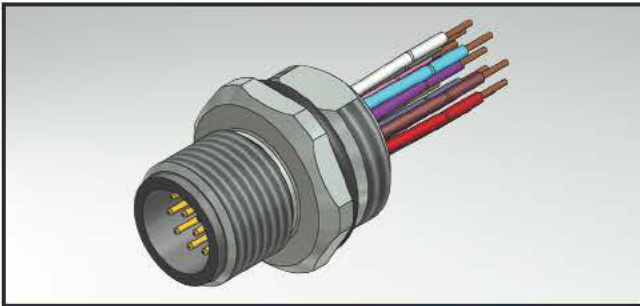
### ORDER DATA

Wire	Length/ L	Description	12-pos Part-no.
PVC, AWG26, UL	0,5m	SAL-12-FK12-0,5-9	43-01345

Accessories (hex nut) in section 9

# SAL M12x1 CONNECTORS

Male socket with wire, frontmounting, PG9-thread



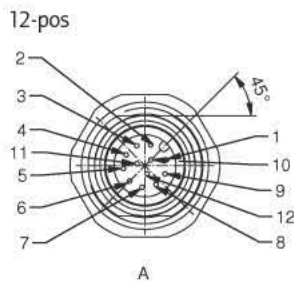
RoHS compliant – UL listed, File no.: CYJV2.E318363

### TECHNICAL DATA

Rated voltage	12-pos 30V
Current rating	1,5A at +40°C
Pollution degree	3 / 2
Insulation resistance	>= 100 MΩ
Degree of protection	IP67 in mated condition
Temperature range	-30°C to +80°C
Mating cycles	>= 100

### PRODUCT DRAWING

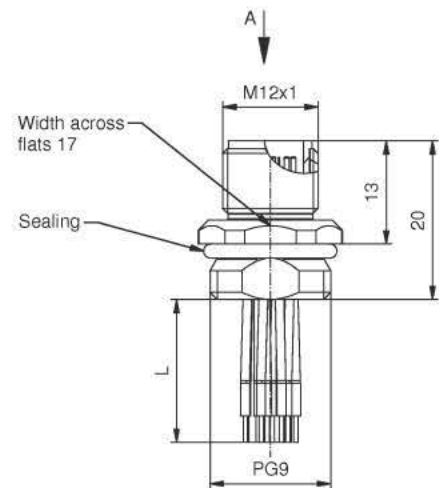
#### Pin Configuration



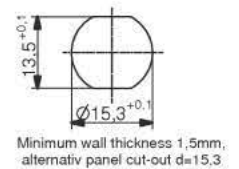
#### Contact Assignment

1 — brown	7 — black
2 — blue	8 — grey
3 — white	9 — red
4 — green	10 — violet
5 — pink	11 — grey-pink
6 — yellow	12 — red-blue

#### Dimension



#### Cut-Out Front Panel



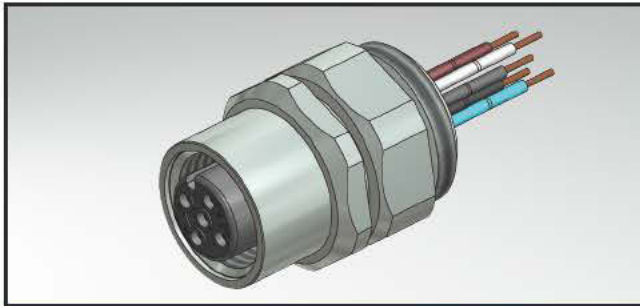
### ORDER DATA

Wire	Length/L	Description	12-pos Part-no.
PVC, AWG26, UL	0,5m	SAL-12-FS12-0,5-9	43-01346

Accessories (hex nut) in section 9

# SAL M12x1 CONNECTORS

Female socket with wire, frontmounting, positioning possible, PG9-thread



RoHS compliant – UL listed, File no.: CYJV2.E318363

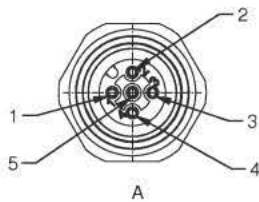
## TECHNICAL DATA

Rated voltage	4-pos	5-pos	8-pos
	250V	60V	30V
Current rating	4A at +40°C (4- and 5-pos)		
	2A at +40°C (8-pos)		
Pollution degree	3 / 2		
Insulation resistance	≥ 100 MΩ		
Degree of protection	IP67 in mated condition		
Temperature range	-30°C to +80°C		
Mating cycles	≥ 100		

## PRODUCT DRAWING

### Pin Configuration

4/5-pos

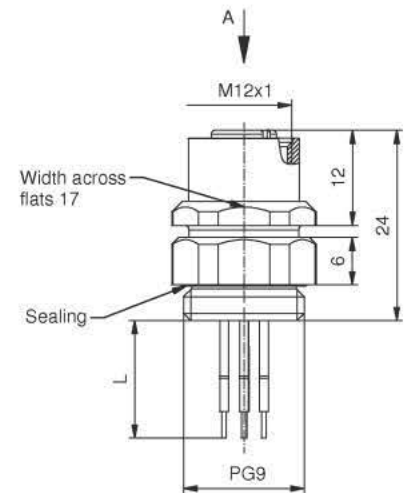


### Contact Assignment

5-pos

- 1) brown
- 2) white
- 3) blue
- 4) black
- 5) green-yellow

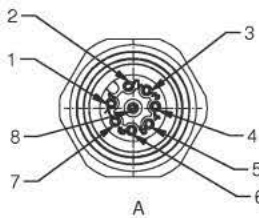
### Dimension



5.1-pos

- 1) brown
- 2) white
- 3) blue
- 4) black
- 5) grey

8-pos



8-pos

- 1) white
- 2) brown
- 3) green
- 4) yellow
- 5) grey
- 6) pink
- 7) blue
- 8) red

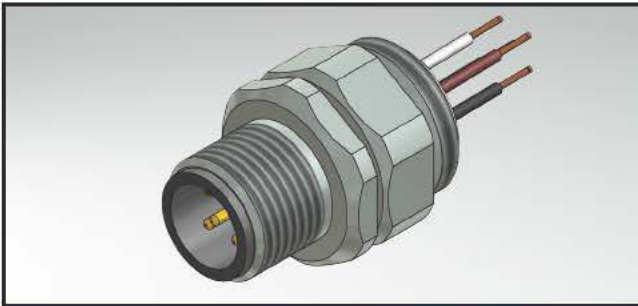
## ORDER DATA

Wire	Length/L	Description	4-pos Part-no.	Description	5-pos Part-no.	Description	8-pos Part-no.
PVC, AWG24, UL	0,5m	SAL-12-FKP4-0,5-9	43-01091	SAL-12-FKP5-0,5-9	43-01093	SAL-12-FKP8-0,5-9	43-01101
	0,5m			SAL-12-FKP5.1-0,5-9	43-01092		

Accessories (hex nut) in section 9

# SAL M12x1 CONNECTORS

Male socket with wire, frontmounting, positioning possible, PG9-thread



RoHS compliant – UL listed, File no.: CYJV2.E318363

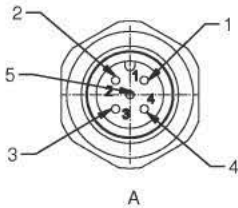
### TECHNICAL DATA

Rated voltage	4-pos	5-pos	8-pos
	250V	60V	30V
Current rating	4A at +40°C (4- and 5-pos)		
	2A at +40°C (8-pos)		
Pollution degree	3 / 2		
Insulation resistance	≥ 100 MΩ		
Degree of protection	IP67 in mated condition		
Temperature range	-30°C to +80°C		
Mating cycles	≥ 100		

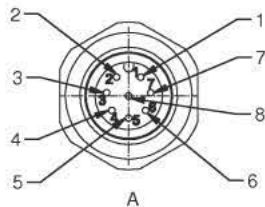
### PRODUCT DRAWING

#### Pin Configuration

4/5-pos



8-pos



#### Contact Assignment

5-pos

- 1 brown
- 2 white
- 3 blue
- 4 black
- 5 green-yellow

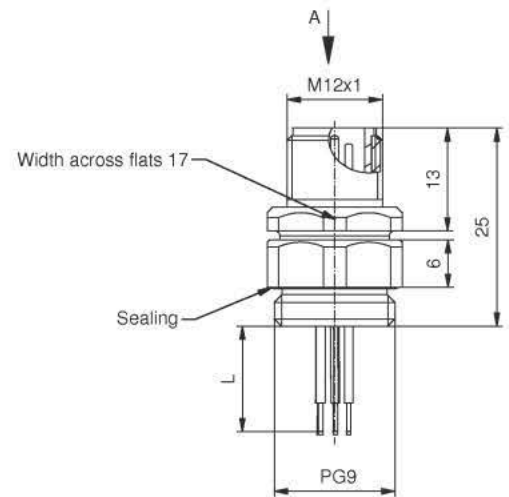
5.1-pos

- 1 brown
- 2 white
- 3 blue
- 4 black
- 5 grey

8-pos

- 1 white
- 2 brown
- 3 green
- 4 yellow
- 5 grey
- 6 pink
- 7 blue
- 8 red

#### Dimension



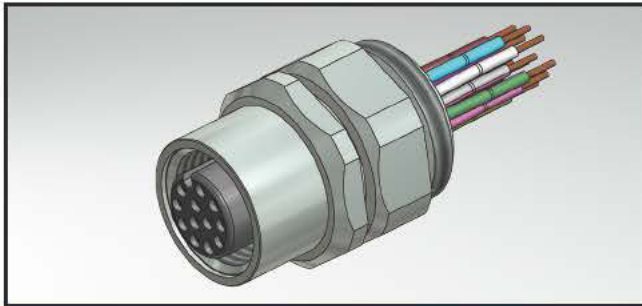
### ORDER DATA

Wire	Length/L	Description	4-pos Part-no.	Description	5-pos Part-no.	Description	8-pos Part-no.
PVC, AWG24, UL	0,5m	SAL-12-FSP4-0,5-9	43-01094	SAL-12-FSP5-0,5-9	43-01096	SAL-12-FSP8-0,5-9	43-01102
	0,5m			SAL-12-FSP5.1-0,5-9	43-01095		

Accessories (hex nut) in section 9

# SAL M12x1 CONNECTORS

Female socket with wire, frontmounting, positioning possible, PG9-thread



RoHS compliant – UL listed, File no.: CYJV2.E318363

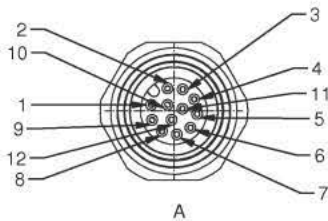
### TECHNICAL DATA

Rated voltage	12-pos 30V
Current rating	1,5A at +40°C
Pollution degree	3 / 2
Insulation resistance	>= 100 MΩ
Degree of protection	IP67 in mated condition
Temperature range	-30°C to +80°C
Mating cycles	>= 100

### PRODUCT DRAWING

#### Pin Configuration

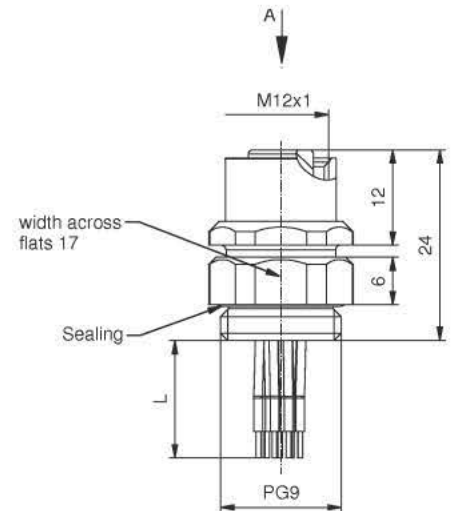
12-pos



#### Contact Assignment

- |           |               |
|-----------|---------------|
| 1) brown  | 7) black      |
| 2) blue   | 8) grey       |
| 3) white  | 9) red        |
| 4) green  | 10) violet    |
| 5) pink   | 11) grey-pink |
| 6) yellow | 12) red-blue  |

#### Dimension



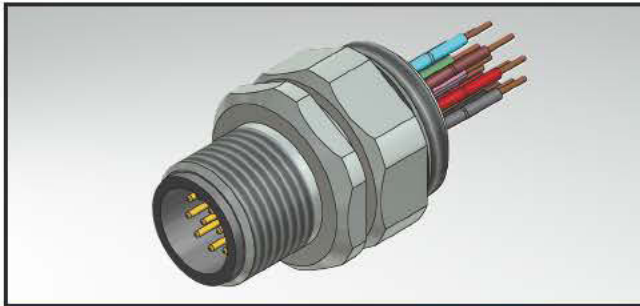
### ORDER DATA

Wire	Length/ L	Description	12-pos Part-no.
PVC, AWG26, UL	0,5m	SAL-12-FKP12-0,5-9	43-01347

Accessories (hex nut) in section 9

# SAL M12x1 CONNECTORS

Male socket with wire, frontmounting, positioning possible, PG9-thread



RoHS compliant – UL listed, File no.: CYJV2.E318363

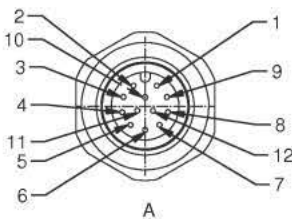
### TECHNICAL DATA

Rated voltage	12-pos 30V
Current rating	1,5A at +40°C
Pollution degree	3 / 2
Insulation resistance	>= 100 MΩ
Degree of protection	IP67 in mated condition
Temperature range	-30°C to +80°C
Mating cycles	>= 100

### PRODUCT DRAWING

#### Pin Configuration

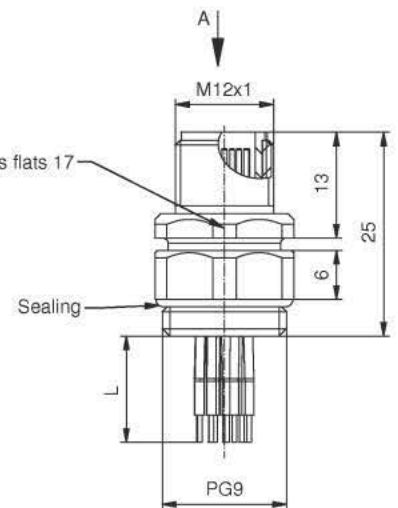
12-pos



#### Contact Assignment

1 brown	7 black
2 blue	8 grey
3 white	9 red
4 green	10 violet
5 pink	11 grey-pink
6 yellow	12 red-blue

#### Dimension



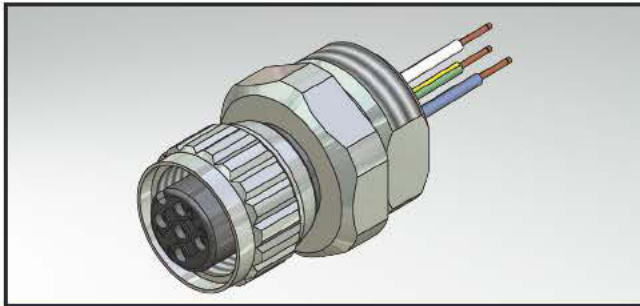
### ORDER DATA

Wire	Length/L	Description	12-pos Part-no.
PVC, AWG26, UL	0,5m	SAL-12-FSP12-0,5-9	43-01348

Accessories (hex nut) in section 9

# SAL M12x1 CONNECTORS

Female socket with wire, frontmounting, M16x1,5-thread, coupling nut turnable



RoHS compliant

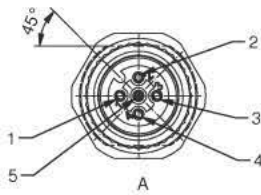
### TECHNICAL DATA

Rated voltage	4-pos	5-pos	8-pos
	250V	60V	30V
Current rating	4A at +40°C (3- and 4-pos)		
	2A at +40°C (8-pos)		
Pollution degree	3 / 2		
Insulation resistance	≥ 100 MΩ		
Degree of protection	IP67 in mated condition		
Temperature range	-30°C to +80°C		
Mating cycles	≥ 100		

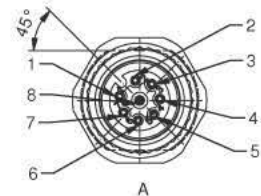
### PRODUCT DRAWING

#### Pin Configuration

4/5-pos



8-pos

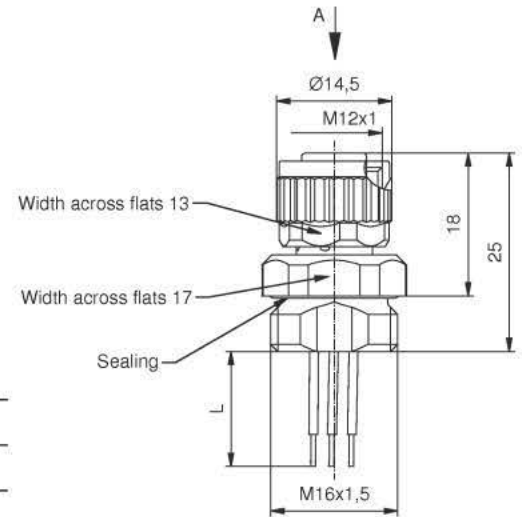


#### Contact Assignment

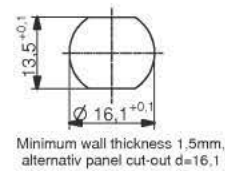
- 1) brown
- 2) white
- 3) blue
- 4) black
- 5) green-yellow

- 1) white
- 2) brown
- 3) green
- 4) yellow
- 5) grey
- 6) pink
- 7) blue
- 8) red

#### Dimension



#### Cut-Out Front Panel



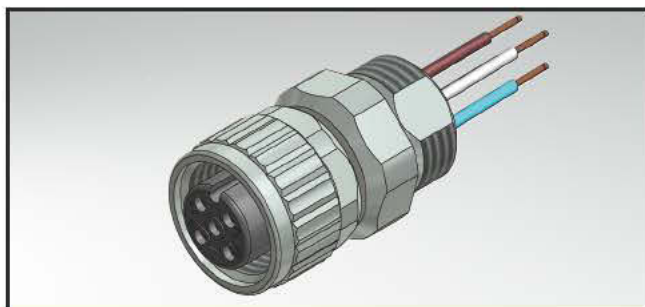
### ORDER DATA

Wire	Length/L	Description	4-pos Part-no.	Description	5-pos Part-no.	Description	8-pos Part-no.
PVC, AWG24, UL	0,05m	SAL-12-FKD4-0,05	43-01378	SAL-12-FKD5-0,05	43-01381	SAL-12-FKD8-0,05	43-01492

Accessories (hex nut) in section 9

# SAL M12x1 CONNECTORS

Female socket with wire, frontmounting, M12x1-thread, coupling nut turnable



RoHS compliant

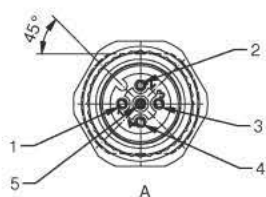
### TECHNICAL DATA

Rated voltage	4-pos	5-pos	8-pos
	250V	60V	30V
Current rating	4A at +40°C (4- and 5-pos)		
	2A at +40°C (8-pos)		
Pollution degree	3 / 2		
Insulation resistance	≥ 100 MΩ		
Degree of protection	IP67 in mated condition		
Temperature range	-30°C to +80°C		
Mating cycles	≥ 100		

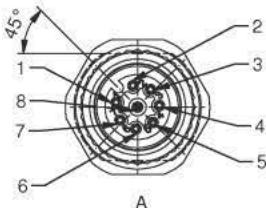
### PRODUCT DRAWING

#### Pin Configuration

4/5-pos



8-pos

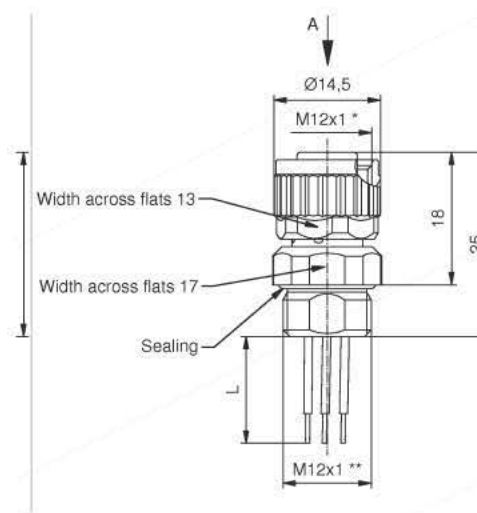


#### Contact Assignment

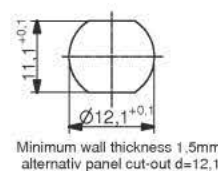
- 1) brown
- 2) white
- 3) blue
- 4) black
- 5) green-yellow

- 1) white
- 2) brown
- 3) green
- 4) yellow
- 5) grey
- 6) pink
- 7) blue
- 8) red

#### Dimension



#### Cut-Out Front Panel



### ORDER DATA

Wire	Length/L	Description	4-pos Part-no.	Description	5-pos Part-no.	Description	8-pos Part-no.
PVC, AWG24, UL	0,05m	SAL-12-FKD4-0,05-12	43-01493	SAL-12-FKD5-0,05-12	43-01494	SAL-12-FKD8-0,05-12	43-01495

Accessories (hex nut) in section 9

# SAL M12x1 CONNECTORS

Female socket frontmounting, axial, installation height 5,5mm



RoHS compliant

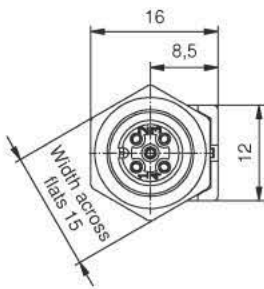
### TECHNICAL DATA

Rated voltage	4-pos	5-pos
	250V	60V
Current rating	4A at +40°C	
Pollution degree	3 / 2	
Insulation resistance	≥ 100 MΩ	
Degree of protection	IP67 in mated condition	
Temperature range	-30°C to +85°C	
Mating cycles	≥ 100	

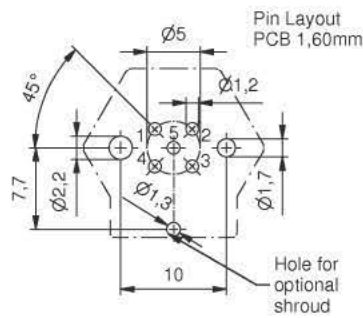
### PRODUCT DRAWING

#### Pin Configuration

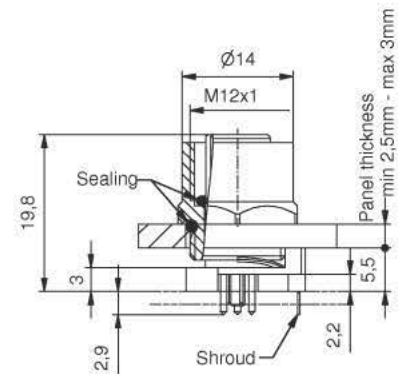
4 / 5-pos



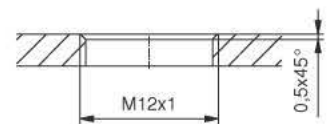
#### Hole Pattern Printing Board



#### Dimension



#### Screw-In Thread

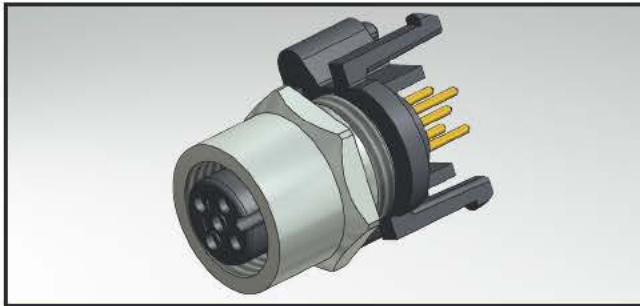


### ORDER DATA

Headroom	Description	4-pos Part-no.	Description	5-pos Part-no.	
5,5mm	SAL-12-FK4-X5,5	43-01178	SAL-12-FK5-X5,5	43-01180	
	SAL-12S-FK4-X5,5	43-01179	SAL-12S-FK5-X5,5	43-01181	with shroud

# SAL M12x1 CONNECTORS

Female socket frontmounting, axial, installation height 10mm



RoHS compliant

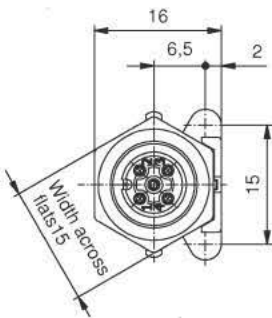
### TECHNICAL DATA

Rated voltage	4-pos	5-pos
	250V	60V
Current rating	4A at +40°C	
Pollution degree	3 / 2	
Insulation resistance	≥ 100 MΩ	
Degree of protection	IP67 in mated condition	
Temperature range	-30°C to +85°C	
Mating cycles	≥ 100	

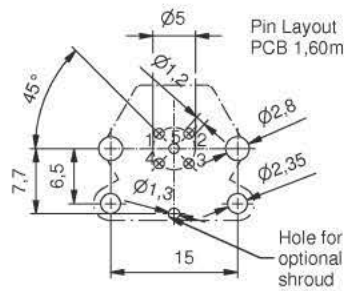
### PRODUCT DRAWING

#### Pin Configuration

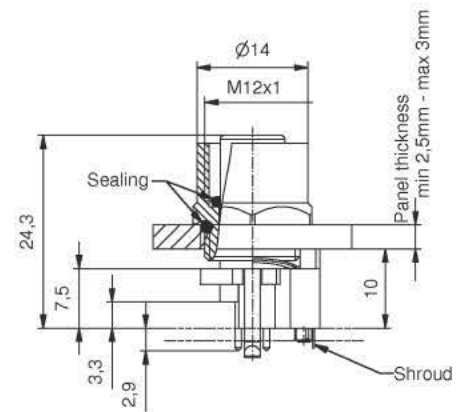
4 / 5-pos



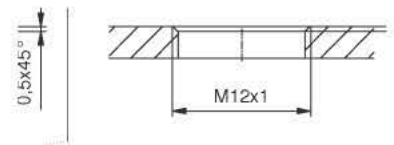
#### Hole Pattern Printing Board



#### Dimension



#### Screw-In Thread



### ORDER DATA

Headroom	Description	4-pos Part-no.	Description	5-pos Part-no.	
10mm	SAL-12-FK4-X10	43-01162	SAL-12-FK5-X10	43-01164	with shroud
	SAL-12S-FK4-X10	43-01163	SAL-12S-FK5-X10	43-01165	

# SAL M12x1 CONNECTORS

Female socket frontmounting, axial, installation height 10mm



RoHS compliant

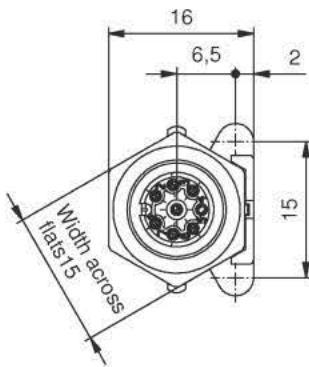
### TECHNICAL DATA

Rated voltage	8-pos 30V
Current rating	2A at +40°C
Pollution degree	3 / 2
Insulation resistance	>= 100 MΩ
Degree of protection	IP67 in mated condition
Temperature range	-30°C to +85°C
Mating cycles	>= 100

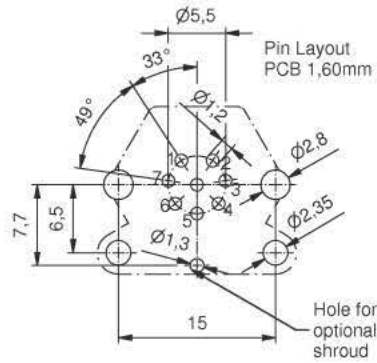
### PRODUCT DRAWING

#### Pin Configuration

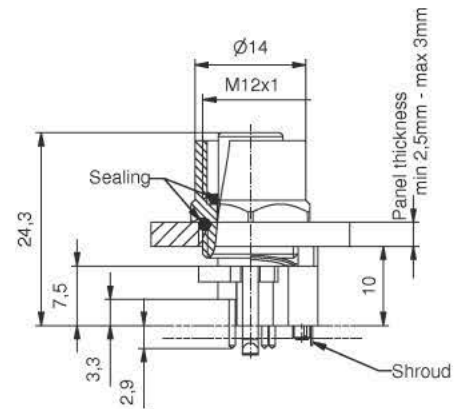
8-pos



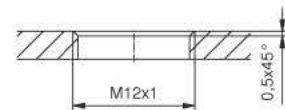
#### Hole Pattern Printing Board



#### Dimension



#### Screw-In Thread



### ORDER DATA

Headroom	Description	8-pos Part-no.	
10mm	SAL-12-FK8-X10	43-01329	with shroud
	SAL-12S-FK8-X10	43-01332	

# SAL M12x1 CONNECTORS

Male socket frontmounting, axial, installation height 5,5mm, with shroud



RoHS compliant

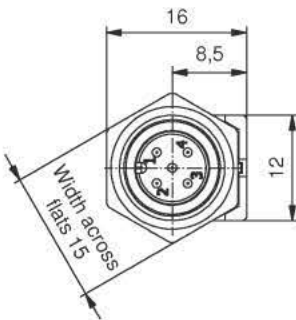
### TECHNICAL DATA

Rated voltage	4-pos	5-pos
	250V	60V
Current rating	4A at +40°C	
Pollution degree	3 / 2	
Insulation resistance	≥ 100 MΩ	
Degree of protection	IP67 in mated condition	
Temperature range	-30°C to +85°C	
Mating cycles	≥ 100	

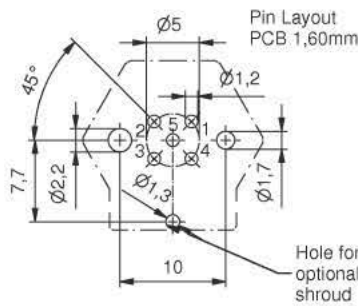
### PRODUCT DRAWING

#### Pin Configuration

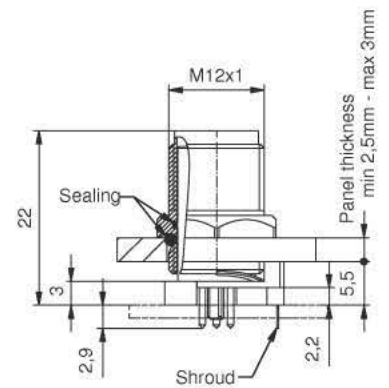
4/5-pos



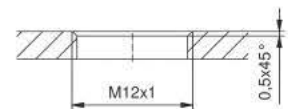
#### Hole Pattern Printing Board



#### Dimension



#### Screw-In Thread

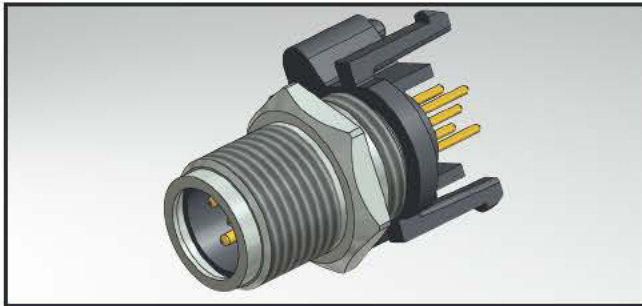


### ORDER DATA

Headroom	Description	4-pos Part-no.	Description	5-pos Part-no.	
5,5mm	SAL-12-FS4-X5,5	43-01182	SAL-12-FS5.1-X5,5	43-01184	with shroud
	SAL-12S-FS4-X5,5	43-01183	SAL-12S-FS5.1-X5,5	43-01185	

# SAL M12x1 CONNECTORS

Male socket frontmounting, axial, installation height 10mm, with shroud



RoHS compliant

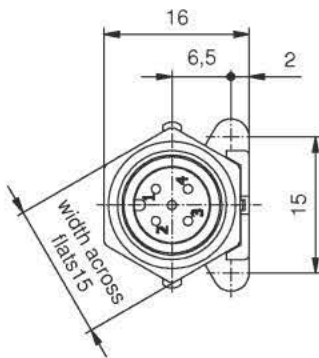
### TECHNICAL DATA

Rated voltage	4-pos	5-pos
	250V	60V
Current rating	4A at +40°C	
Pollution degree	3 / 2	
Insulation resistance	≥ 100 MΩ	
Degree of protection	IP67 in mated condition	
Temperature range	-30°C to +85°C	
Mating cycles	≥ 100	

### PRODUCT DRAWING

#### Pin Configuration

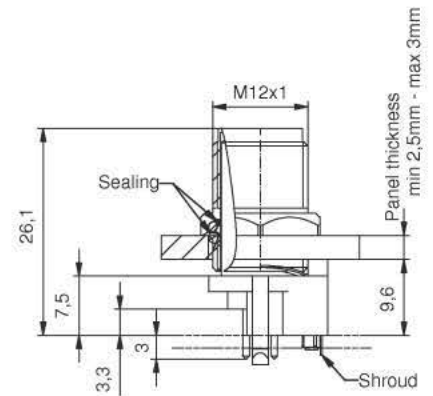
4/5-pos



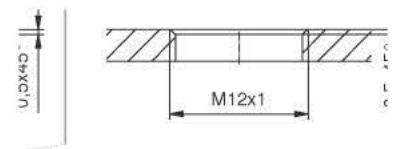
#### Hole Pattern Printing Board



#### Dimension



#### Screw-In Thread

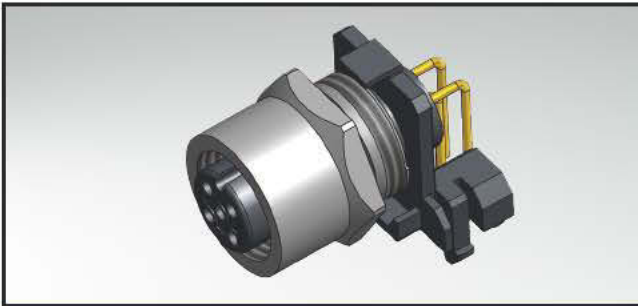


### ORDER DATA

Headroom	Description	4-pos Part-no.	Description	5-pos Part-no.	
10mm	SAL-12-FS4-X10	43-01166	SAL-12-FS5.1-X10	43-01168	with shroud
	SAL-12S-FS4-X10	43-01167	SAL-12S-FS5.1-X10	43-01169	

# SAL M12x1 CONNECTORS

Female socket frontmounting, dip-solder, angled



RoHS compliant

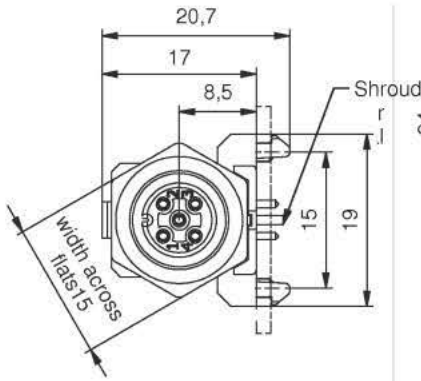
### TECHNICAL DATA

Rated voltage	4-pos	5-pos
	250V	60V
Current rating	4A at +40°C	
Pollution degree	3 / 2	
Insulation resistance	≥ 100 MΩ	
Degree of protection	IP67 in mated condition	
Temperature range	-30°C to +85°C	
Mating cycles	≥ 100	

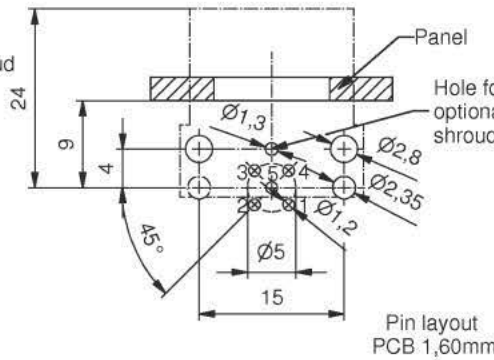
### PRODUCT DRAWING

#### Pin Configuration

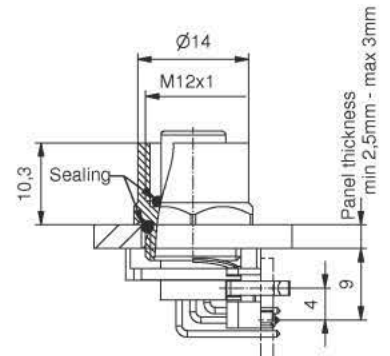
4/5-pos



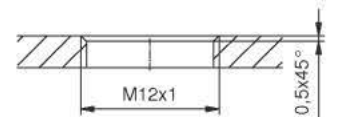
#### Hole Pattern Printing Board



#### Dimension



#### Screw-In Thread

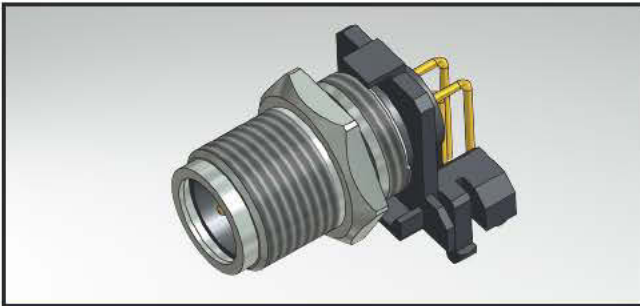


### ORDER DATA

Description	4-pos Part-no.	Description	5-pos Part-no.	
SAL-12-FKW4	43-01200	SAL-12-FKW5	43-01202	
SAL-12S-FKW4	43-01201	SAL-12S-FKW5	43-01203	with shroud

# SAL M12x1 CONNECTORS

Male socket frontmounting, dip-solder, angled



RoHS compliant

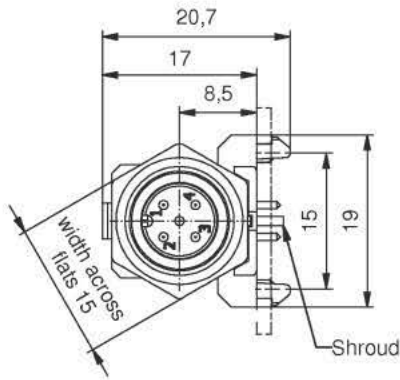
**TECHNICAL DATA**

Rated voltage	4-pos	5-pos
	250V	60V
Current rating	4A at +40°C	
Pollution degree	3 / 2	
Insulation resistance	≥ 100 MΩ	
Degree of protection	IP67 in mated condition	
Temperature range	-30°C to +85°C	
Mating cycles	≥ 100	

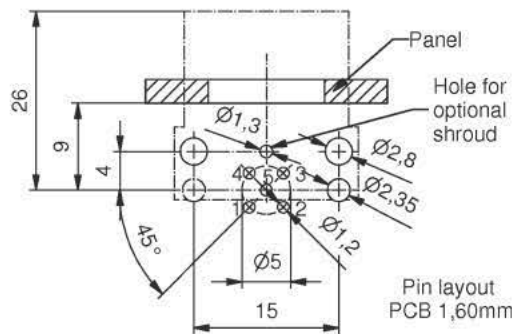
**PRODUCT DRAWING**

**Pin Configuration**

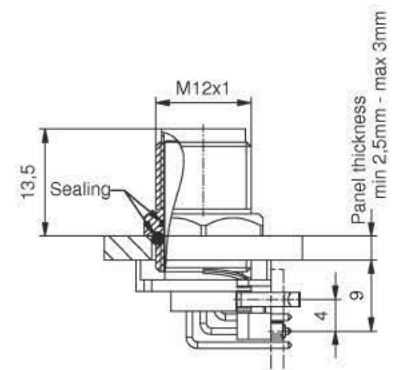
4/5-pos



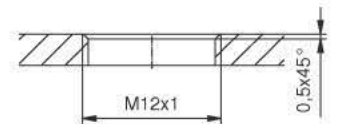
**Hole Pattern Printing Board**



**Dimension**



**Screw-In Thread**

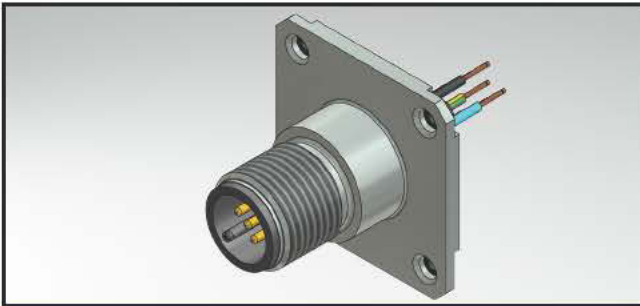


**ORDER DATA**

Description	4-pos Part-no.	Description	5-pos Part-no.	
SAL-12-FSW4	43-01208	SAL-12-FSW5.1	43-01210	
SAL-12S-FSW4	43-01209	SAL-12S-FSW5.1	43-01211	with shroud

# SAL M12x1 CONNECTORS

Male socket with square end housing, housing size 26mm



RoHS compliant

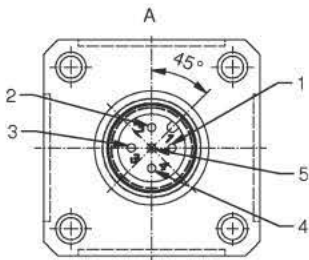
**TECHNICAL DATA**

Rated voltage	4-pos	5-pos
	250V	60V
Current rating	4A at +40°C	
Pollution degree	3 / 2	
Insulation resistance	≥ 100 MΩ	
Degree of protection	IP67 in mated condition	
Temperature range	-30°C to +80°C	
Mating cycles	≥ 100	

**PRODUCT DRAWING**

**Pin Configuration**

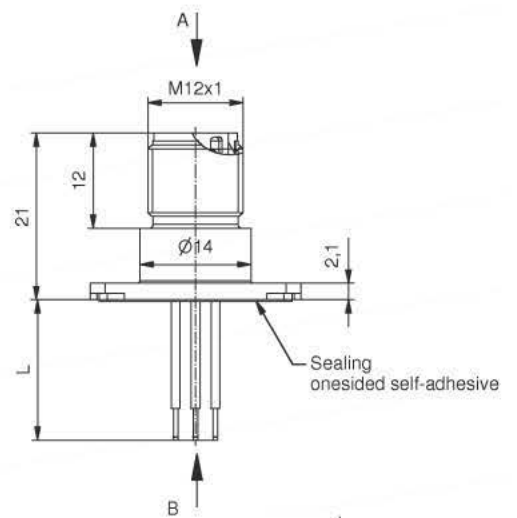
4/5-pos



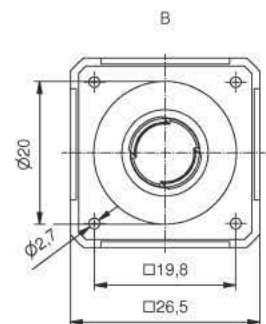
**Contact Assignment**

- 1 brown
- 2 white
- 3 blue
- 4 black
- 5 green-yellow

**Dimension**



**Assembly dimensions**



**ORDER DATA**

Wire	Length/L	Description	4-pos Part-no.	Description	5-pos Part-no.
PVC, AWG24, UL	0,5m	SAL-12-FSV4-0,5-26	43-01351	SAL-12-FSV5-0,5-26	43-01352

# SAL M12x1 CONNECTORS

Male socket with square end housing, housing size 26mm



RoHS compliant

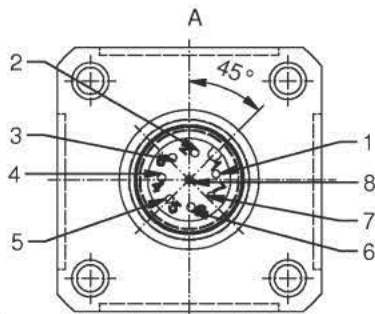
**TECHNICAL DATA**

Rated voltage	8-pos	12-pos
	30V	30V
Current rating	2A at +40°C (8-pos)	
	1,5A at +40°C (12-pos)	
Pollution degree	3 / 2	
Insulation resistance	≥ 100 MΩ	
Degree of protection	IP67 in mated condition	
Temperature range	-30°C to +80°C	
Mating cycles	≥ 100	

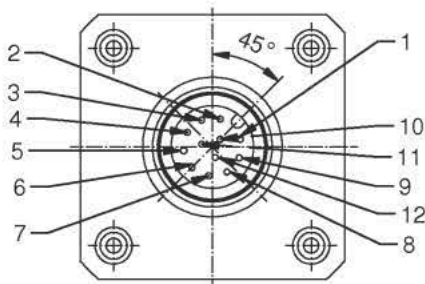
**PRODUCT DRAWING**

**Pin Configuration**

8-pos



12-pos

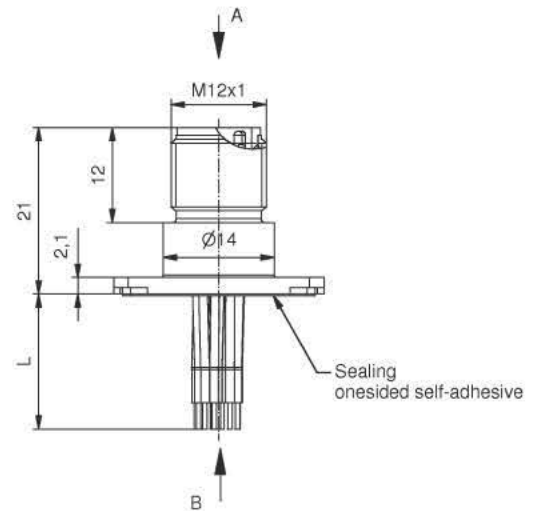


**Contact Assignment**

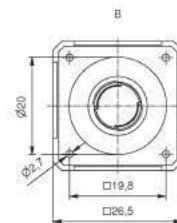
- 1 white
- 2 brown
- 3 green
- 4 yellow
- 5 grey
- 6 pink
- 7 blue
- 8 red

- 1 brown
- 2 blue
- 3 white
- 4 green
- 5 pink
- 6 yellow
- 7 black
- 8 grey
- 9 red
- 10 violet
- 11 grey-pink
- 12 red-blue

**Dimension**



**Assembly dimensions**

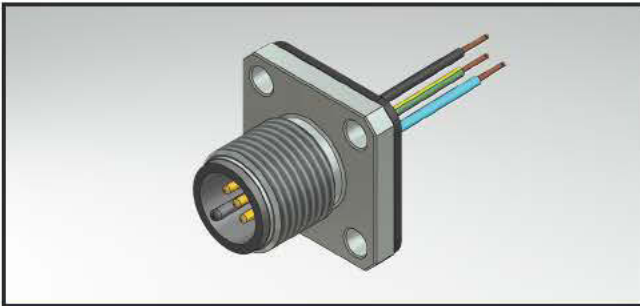


**ORDER DATA**

Wire	Length/L	Description	8-pos Part-no.	Description	12-pos Part-no.
PVC, AWG24, UL	0,5m	SAL-12-FSV8-0,5-26	43-01353	SAL-12-FSV12-0,5-26	43-01354

# SAL M12x1 CONNECTORS

Male socket with square end housing, housing size 20mm



RoHS compliant

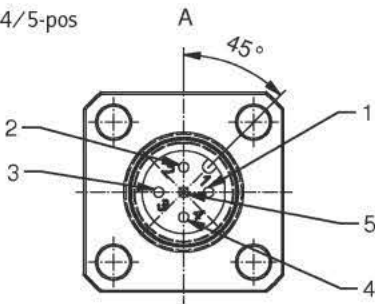
### TECHNICAL DATA

Rated voltage	4-pos	5-pos
	250V	60V
Current rating	4A at +40°C	
Pollution degree	3 / 2	
Insulation resistance	≥ 100 MΩ	
Degree of protection	IP67 in mated condition	
Temperature range	-30°C to +80°C	
Mating cycles	≥ 100	

### PRODUCT DRAWING

#### Pin Configuration

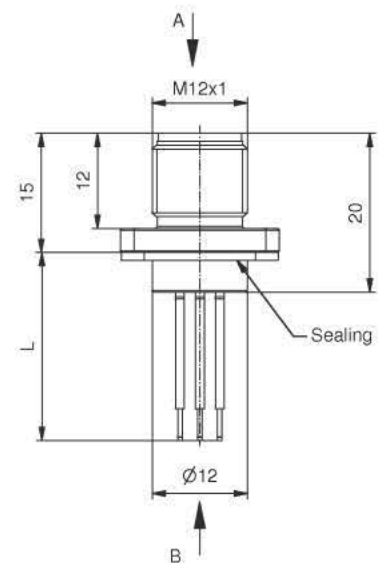
4/5-pos



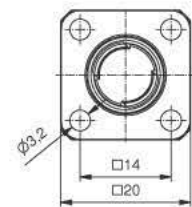
#### Contact Assignment

- 1 brown
- 2 white
- 3 blue
- 4 black
- 5 green-yellow

#### Dimension



#### Assembly dimensions

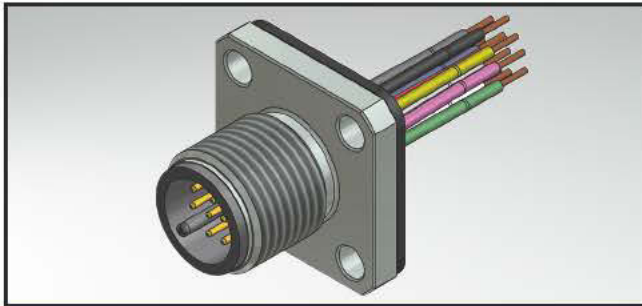


### ORDER DATA

Wire	Length/L	Description	4-pos Part-no.	Description	5-pos Part-no.
PVC, AWG24, UL	0,5m	SAL-12-FSV4-0,5-20	43-01355	SAL-12-FSV5-0,5-20	43-01356

# SAL M12x1 CONNECTORS

Male socket with square end housing, housing size 20mm



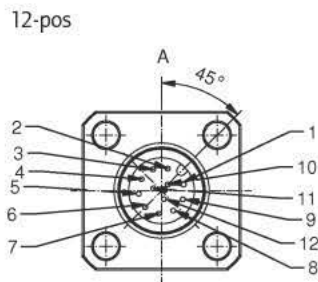
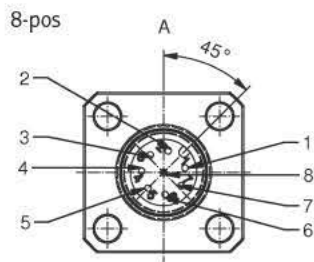
RoHS compliant

**TECHNICAL DATA**

Rated voltage	8-pos	12-pos
	30V	30V
Current rating	2A at +40°C (8-pos)	
	1,5A at +40°C (12-pos)	
Pollution degree	3 / 2	
Insulation resistance	≥ 100 MΩ	
Degree of protection	IP67 in mated condition	
Temperature range	-30°C to +80°C	
Mating cycles	≥ 100	

**PRODUCT DRAWING**

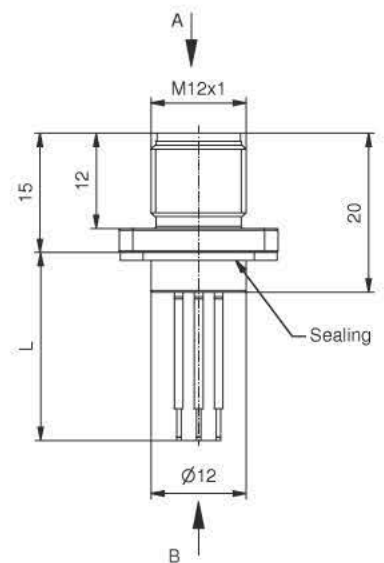
**Pin Configuration**



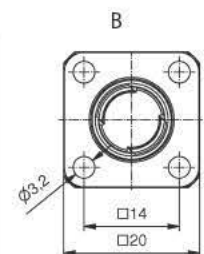
**Contact Assignment**



**Dimension**



**Assembly dimensions**



**ORDER DATA**

Wire	Length/L	Description	8-pos Part-no.	Description	12-pos Part-no.
PVC, AWG24, UL	0,5m	SAL-12-FSV8-0,5-20	43-01357	SAL-12-FSV12-0,5-20	43-01358

# SAL M12x1 CONNECTORS

Female socket with wire, frontmounting, M16x1,5-thread, with LED-display



RoHS compliant

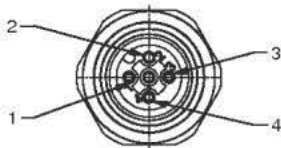
### TECHNICAL DATA

Rated voltage	3-pos 10-30V
Current rating	4A at +40°C
Pollution degree	3 / 2
Insulation resistance	>= 100 MΩ
Degree of protection	IP67 in mated condition
Temperature range	-25°C to +90°C
Mating cycles	>= 100

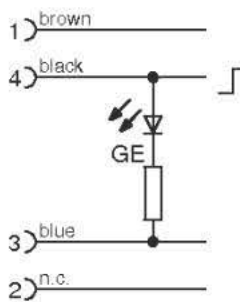
### PRODUCT DRAWING

#### Pin Configuration

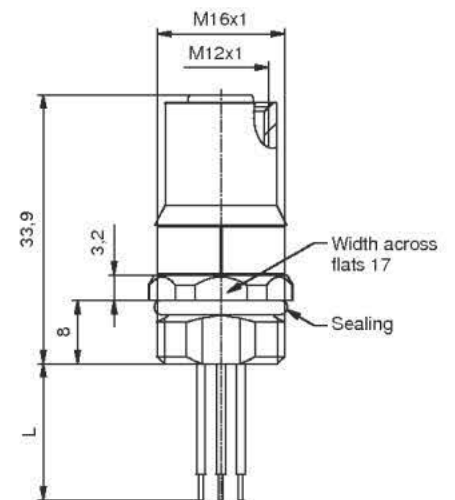
3-pos



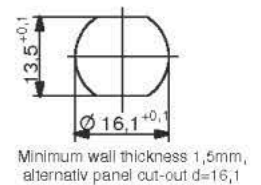
#### Contact Assignment



#### Dimension



#### Cut-Out Front Panel

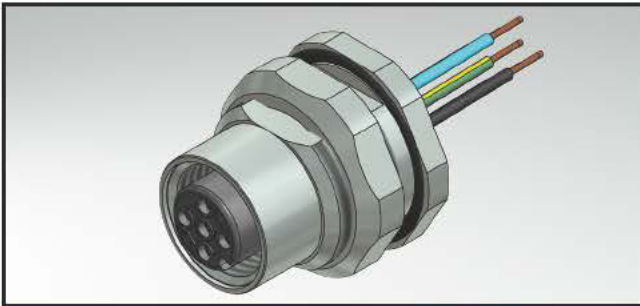


### ORDER DATA

Wire	Length/L	Description	3-pos Part-no.
PVC. AWG22, UL	0,5m	SAL-12- FK3-4L-0,5	43-01867

# SAL M12x1 CONNECTORS

Female socket with wire, backmounting, M16x1,5-thread



RoHS compliant – UL listed, File no.: CYJV2.E318363

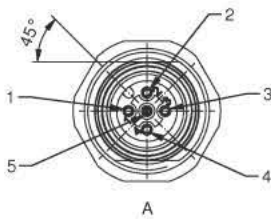
## TECHNICAL DATA

Rated voltage	4-pos	5-pos	8-pos
	250V	60V	30V
Current rating	4A at +40°C (4- and 5-pos)		
	2A at +40°C (8-pos)		
Pollution degree	3 / 2		
Insulation resistance	≥ 100 MΩ		
Degree of protection	IP67 in mated condition		
Temperature range	-30°C to +80°C		
Mating cycles	≥ 100		

## PRODUCT DRAWING

### Pin Configuration

4/5-pos

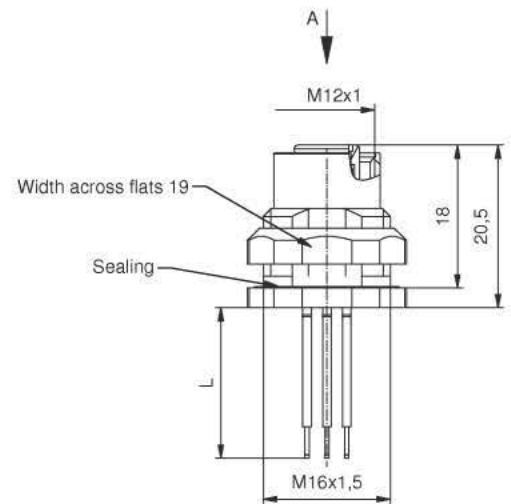


### Contact Assignment

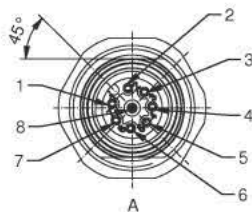
5-pos

- 1) brown
- 2) white
- 3) blue
- 4) black
- 5) green-yellow

### Dimension



8-pos



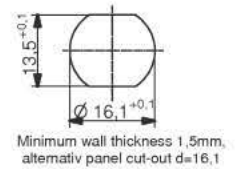
5.1-pos

- 1) brown
- 2) white
- 3) blue
- 4) black
- 5) grey

8-pos

- 1) white
- 2) brown
- 3) green
- 4) yellow
- 5) grey
- 6) pink
- 7) blue
- 8) red

### Cut-Out Front Panel

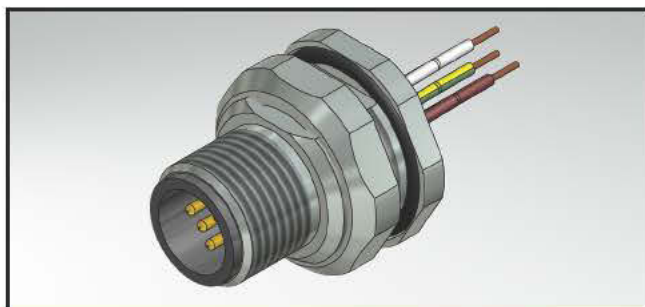


## ORDER DATA

Wire	Length/L	Description	4-pos Part-no.	Description	5-pos Part-no.	Description	8-pos Part-no.
PVC, AWG24, UL	0,5m	SAL-12-FKH4-0,5	43-01003	SAL-12-FKH5-0,5	43-01004	SAL-12-FKH8-0,5	43-01005
	0,5m			SAL-12-FKH5.1-0,5	43-01048		

# SAL M12x1 CONNECTORS

Male socket with wire, backmounting, M16x1,5-thread



RoHS compliant – UL listed, File no.: CYJV2.E318363

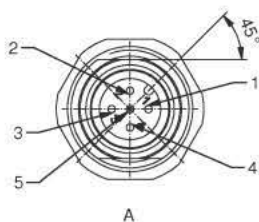
### TECHNICAL DATA

Rated voltage	4-pos	5-pos	8-pos
	250V	60V	30V
Current rating	4A at +40°C (4- and 5-pos)		
	2A at +40°C (8-pos)		
Pollution degree	3 / 2		
Insulation resistance	≥ 100 MΩ		
Degree of protection	IP67 in mated condition		
Temperature range	-30°C to +80°C		
Mating cycles	≥ 100		

### PRODUCT DRAWING

#### Pin Configuration

4/5-pos

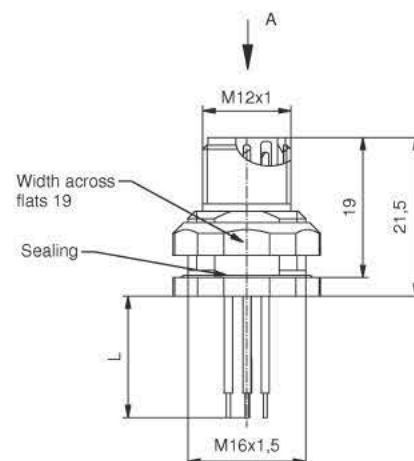


#### Contact Assignment

5-pos

- 1 brown
- 2 white
- 3 blue
- 4 black
- 5 green-yellow

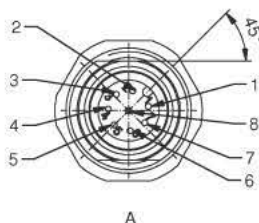
#### Dimension



5.1-pos

- 1 brown
- 2 white
- 3 blue
- 4 black
- 5 grey

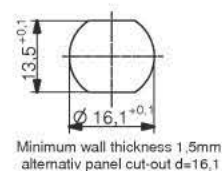
8-pos



8-pos

- 1 white
- 2 brown
- 3 green
- 4 yellow
- 5 grey
- 6 pink
- 7 blue
- 8 red

#### Cut-Out Front Panel



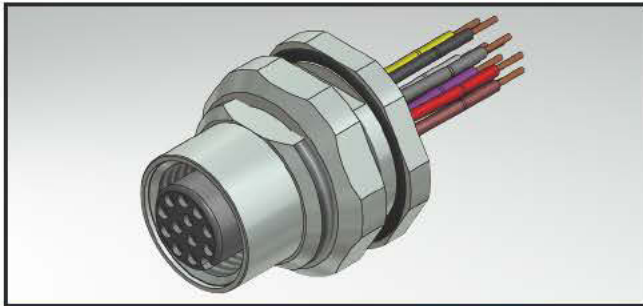
Minimum wall thickness 1.5mm, alternativ panel cut-out d=16,1

### ORDER DATA

Wire	Length/L	Description	4-pos Part-no.	Description	5-pos Part-no.	Description	8-pos Part-no.
PVC, AWG24, UL	0,5m	SAL-12-FSH4-0,5	43-01012	SAL-12-FSH5-0,5	43-01013	SAL-12-FSH8-0,5	43-01014
	0,5m			SAL-12-FSH5.1-0,5	43-01052		

# SAL M12x1 CONNECTORS

Female socket with wire, backmounting, M16x1,5-thread



RoHS compliant – UL listed, File no.: CYJV2.E318363

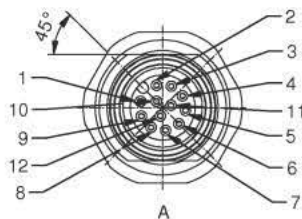
## TECHNICAL DATA

Rated voltage	12-pos 30V
Current rating	1,5A at +40°C
Pollution degree	3 / 2
Insulation resistance	>= 100 MΩ
Degree of protection	IP67 in mated condition
Temperature range	-30°C to +80°C
Mating cycles	>= 100

## PRODUCT DRAWING

### Pin Configuration

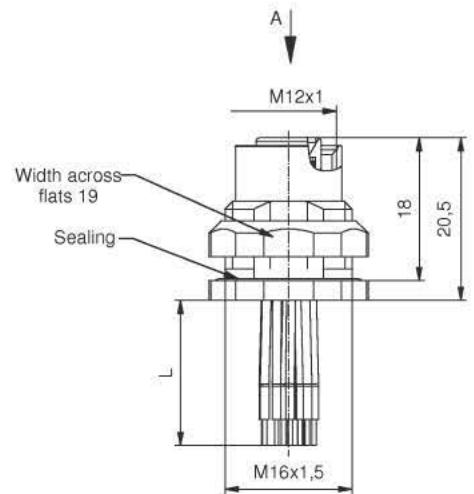
12-pos



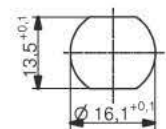
### Contact Assignment

1) brown	7) black
2) blue	8) grey
3) white	9) red
4) green	10) violet
5) pink	11) grey-pink
6) yellow	12) red-blue

### Dimension



### Cut-Out Front Panel



Minimum wall thickness 1.5mm,  
alternativ panel cut-out d=16,1

## ORDER DATA

Wire	Length / L	Description	12-pos Part-no.
PVC, AWG26, UL	0,5m	SAL-12-FKH12-0,5	43-01343

# SAL M12x1 CONNECTORS

Male socket with wire, backmounting, M16x1,5-thread



RoHS compliant – UL listed, File no.: CYJV2.E318363

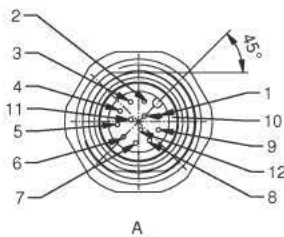
### TECHNICAL DATA

Rated voltage	12-pos 30V
Current rating	1,5A at +40°C
Pollution degree	3 / 2
Insulation resistance	>= 100 MΩ
Degree of protection	IP67 in mated condition
Temperature range	-30°C to +80°C
Mating cycles	>= 100

### PRODUCT DRAWING

#### Pin Configuration

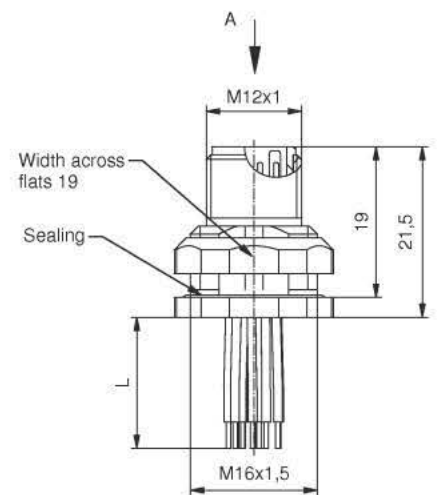
12-pos



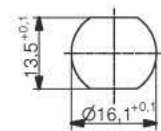
#### Contact Assignment

1 — brown	7 — black
2 — blue	8 — grey
3 — white	9 — red
4 — green	10 — violet
5 — pink	11 — grey-pink
6 — yellow	12 — red-blue

#### Dimension



#### Cut-Out Front Panel



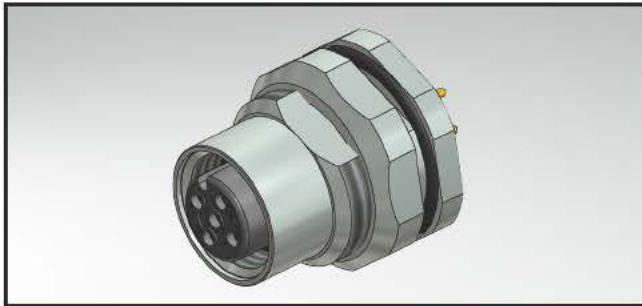
Minimum wall thickness 1.5mm, alternativ panel cut-out d=16.1

### ORDER DATA

Wire	Length/L	Description	12-pos Part-no.
PVC, AWG26, UL	0,5m	SAL-12-FSH12-0,5	43-01344

# SAL M12x1 CONNECTORS

Female socket dip-solder, backmounting, M16x1,5-thread



RoHS compliant – UL listed, File no.: CYJV2.E318363

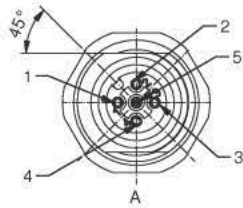
## TECHNICAL DATA

Rated voltage	4-pos	5-pos	8-pos
	250V	60V	30V
Current rating	4A at +40°C (4- and 5-pos)		
	2A at +40°C (8-pos)		
Pollution degree	3 / 2		
Insulation resistance	≥ 100 MΩ		
Degree of protection	IP67 in mated condition		
Temperature range	-30°C to +85°C		
Mating cycles	≥ 100		

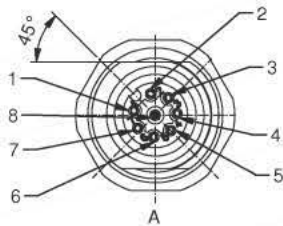
## PRODUCT DRAWING

### Pin Configuration

4/5-pos



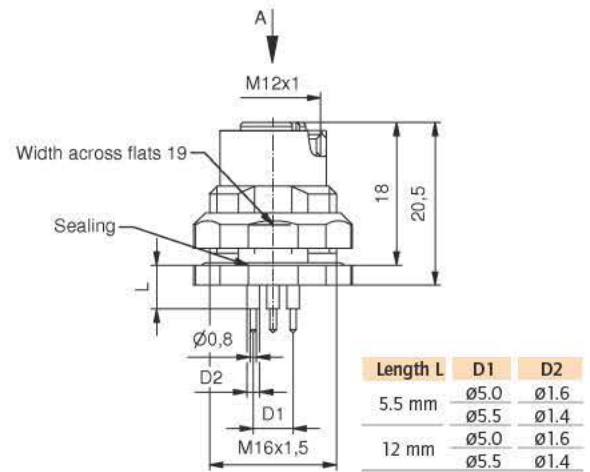
8-pos



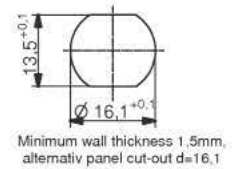
### Hole Pattern Printing Board



### Dimension



### Cut-Out Front Panel

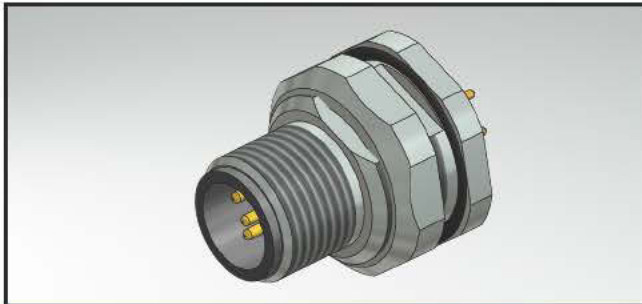


## ORDER DATA

Length/L	Description	4-pos Part-no.	Description	5-pos Part-no.	Description	8-pos Part-no.
5,5mm	SAL-12-FKH4-P5,5	43-01026	SAL-12-FKH5-P5,5	43-01027	SAL-12-FKH8-P5,5	43-01028
12mm	SAL-12-FKH4-P12	43-01029	SAL-12-FKH5-P12	43-01030	SAL-12-FKH8-P12	43-01031

# SAL M12x1 CONNECTORS

Male socket dip-solder, backmounting, M16x1,5-thread



RoHS compliant – UL listed, File no.: CYJV2.E318363

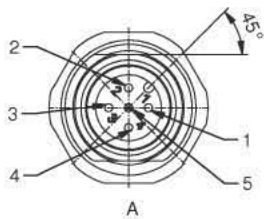
### TECHNICAL DATA

Rated voltage	4-pos	5-pos	8-pos
	250V	60V	30V
Current rating	4A at +40°C (4- and 5-pos)		
	2A at +40°C (8-pos)		
Pollution degree	3 / 2		
Insulation resistance	≥ 100 MΩ		
Degree of protection	IP67 in mated condition		
Temperature range	-40°C to +85°C		
Mating cycles	≥ 100		

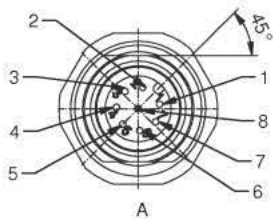
### PRODUCT DRAWING

#### Pin Configuration

4/5-pos



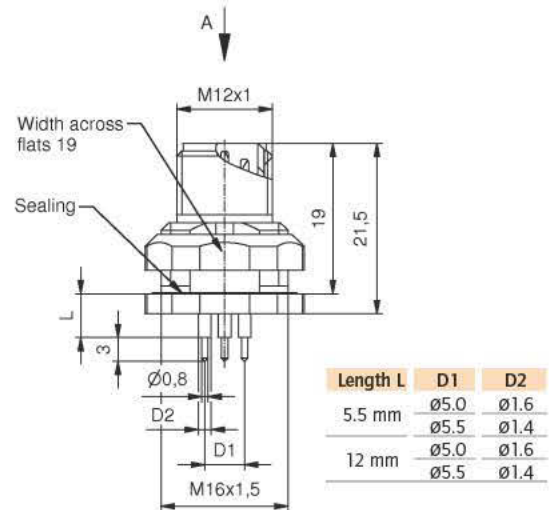
8-pos



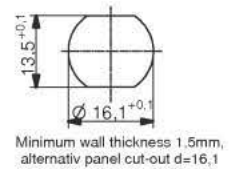
#### Hole Pattern Printing Board



#### Dimension



#### Cut-Out Front Panel

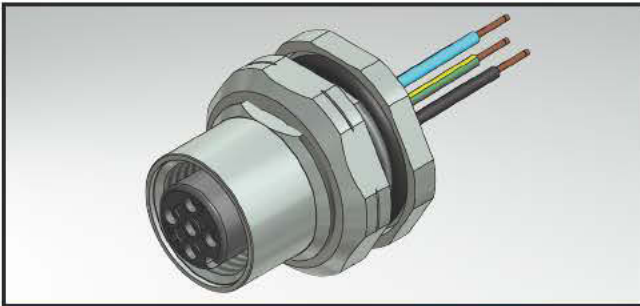


### ORDER DATA

Length/L	Description	4-pos Part-no.	Description	5-pos Part-no.	Description	8-pos Part-no.
5,5mm	SAL-12-FSH4-P5,5	43-01032	SAL-12-FSH5-P5,5	43-01033	SAL-12-FSH8-P5,5	43-01034
12mm	SAL-12-FSH4-P12	43-01035	SAL-12-FSH5-P12	43-01036	SAL-12-FSH8-P12	43-01037

# SAL M12x1 CONNECTORS

Female socket with wire, backmounting, PG9-thread



RoHS compliant – UL listed, File no.: CYJV2.E318363

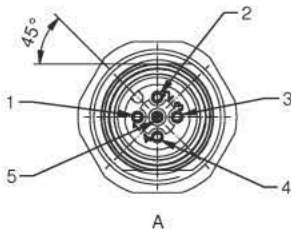
## TECHNICAL DATA

Rated voltage	4-pos	5-pos	8-pos
	250V	60V	30V
Current rating	4A at +40°C (4- and 5-pos)		
	2A at +40°C (8-pos)		
Pollution degree	3 / 2		
Insulation resistance	≥ 100 MΩ		
Degree of protection	IP67 in mated condition		
Temperature range	-30°C to +80°C		
Mating cycles	≥ 100		

## PRODUCT DRAWING

### Pin Configuration

4/5-pos

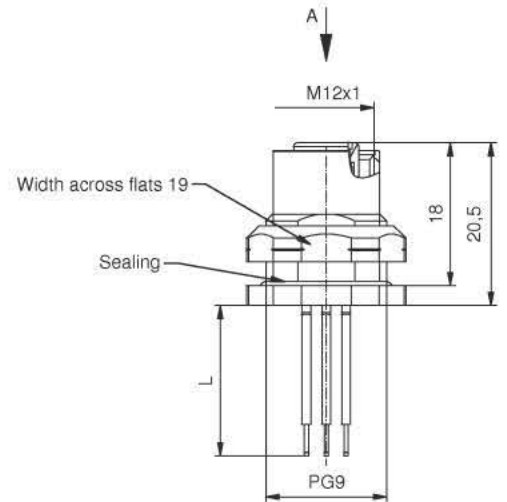


### Contact Assignment

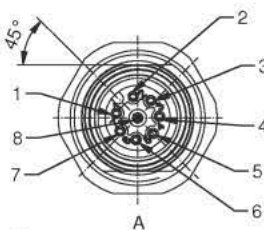
5-pos

- 1) brown
- 2) white
- 3) blue
- 4) black
- 5) green-yellow

### Dimension



8-pos



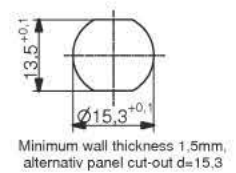
5.1-pos

- 1) brown
- 2) white
- 3) blue
- 4) black
- 5) grey

8-pos

- 1) white
- 2) brown
- 3) green
- 4) yellow
- 5) grey
- 6) pink
- 7) blue
- 8) red

### Cut-Out Front Panel

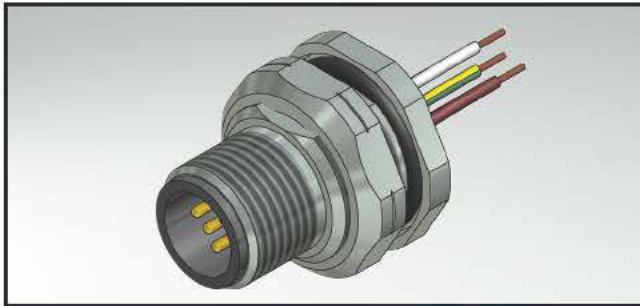


## ORDER DATA

Wire	Length/L	Description	4-pos Part-no.	Description	5-pos Part-no.	Description	8-pos Part-no.
PVC, AWG24, UL	0,5m	SAL-12-FKH4-0,5-9	43-01079	SAL-12-FKH5-0,5-9	43-01081	SAL-12-FKH8-0,5-9	43-01098
	0,5m			SAL-12-FKH5.1-0,5-9	43-01080		

# SAL M12x1 CONNECTORS

Male socket with wire, backmounting, PG9-thread



RoHS compliant – UL listed, File no.: CYJV2.E318363

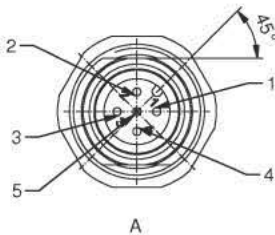
### TECHNICAL DATA

Rated voltage	4-pos	5-pos	8-pos
	250V	60V	30V
Current rating	4A at +40°C (4- and 5-pos)		
	2A at +40°C (8-pos)		
Pollution degree	3 / 2		
Insulation resistance	≥ 100 MΩ		
Degree of protection	IP67 in mated condition		
Temperature range	-30°C to +80°C		
Mating cycles	≥ 100		

### PRODUCT DRAWING

#### Pin Configuration

4/5-pos



#### Contact Assignment

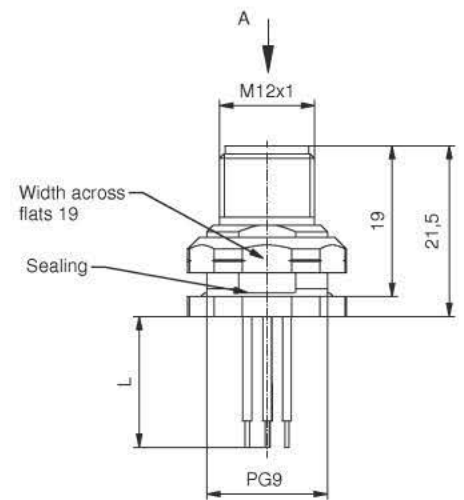
5-pos

- 1 brown
- 2 white
- 3 blue
- 4 black
- 5 green-yellow

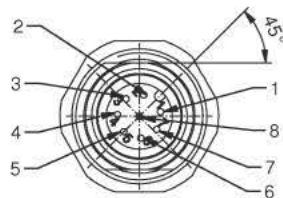
5.1-pos

- 1 brown
- 2 white
- 3 blue
- 4 black
- 5 grey

#### Dimension



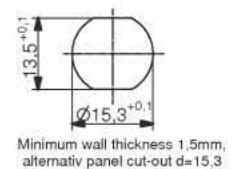
8-pos



8-pos

- 1 white
- 2 brown
- 3 green
- 4 yellow
- 5 grey
- 6 pink
- 7 blue
- 8 red

#### Cut-Out Front Panel



### ORDER DATA

Wire	Length/L	Description	4-pos Part-no.	Description	5-pos Part-no.	Description	8-pos Part-no.
PVC, AWG24, UL	0,5m	SAL-12-FSH4-0,5-9	43-01088	SAL-12-FSH5-0,5-9	43-01090	SAL-12-FSH8-0,5-9	43-01100
	0,5m			SAL-12-FSH5.1-0,5-9	43-01089		

# SAL M12x1 CONNECTORS

Female socket with wire, backmounting, PG9-thread



RoHS compliant – UL listed, File no.: CYJV2.E318363

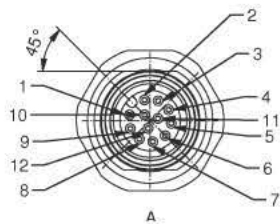
### TECHNICAL DATA

Rated voltage	12-pos 30V
Current rating	1,5A at +40°C
Pollution degree	3 / 2
Insulation resistance	>= 100 MΩ
Degree of protection	IP67 in mated condition
Temperature range	-30°C to +80°C
Mating cycles	>= 100

### PRODUCT DRAWING

#### Pin Configuration

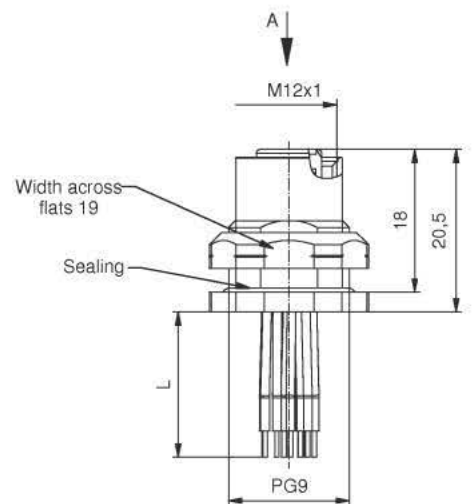
12-pos



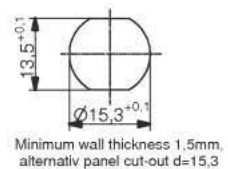
#### Contact Assignment

- |           |               |
|-----------|---------------|
| 1) brown  | 7) black      |
| 2) blue   | 8) grey       |
| 3) white  | 9) red        |
| 4) green  | 10) violet    |
| 5) pink   | 11) grey-pink |
| 6) yellow | 12) red-blue  |

#### Dimension



#### Cut-Out Front Panel

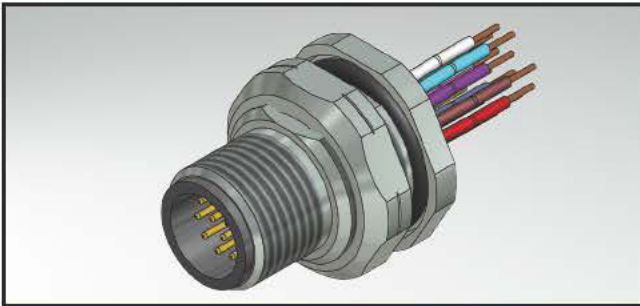


### ORDER DATA

Wire	Length/ L	Description	12-pos Part-no.
PVC, AWG26, UL	0,5m	SAL-12-FKH12-0,5-9	43-01349

# SAL M12x1 CONNECTORS

Male socket with wire, backmounting, PG9-thread



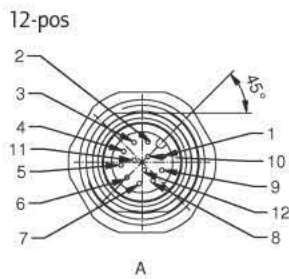
RoHS compliant – UL listed, File no.: CYJV2.E318363

### TECHNICAL DATA

Rated voltage	12-pos 30V
Current rating	1,5A at +40°C
Pollution degree	3 / 2
Insulation resistance	>= 100 MΩ
Degree of protection	IP67 in mated condition
Temperature range	-30°C to +80°C
Mating cycles	>= 100

### PRODUCT DRAWING

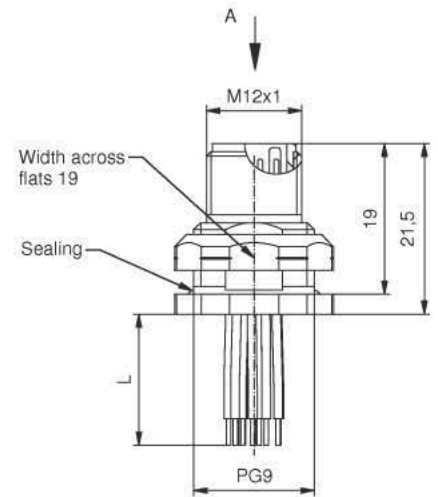
#### Pin Configuration



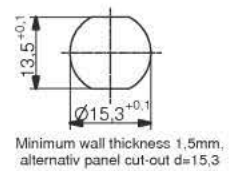
#### Contact Assignment

1 — brown	7 — black
2 — blue	8 — grey
3 — white	9 — red
4 — green	10 — violet
5 — pink	11 — grey-pink
6 — yellow	12 — red-blue

#### Dimension



#### Cut-Out Front Panel

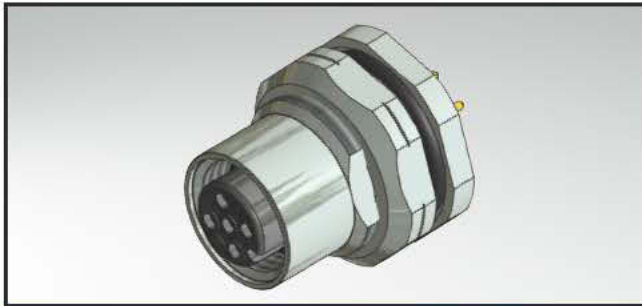


### ORDER DATA

Wire	Length/L	Description	12-pos Part-no.
PVC, AWG26, UL	0,5m	SAL-12-FSH12-0,5-9	43-01350

# SAL M12x1 CONNECTORS

Female socket dip-solder, backmounting, PG9-thread



RoHS compliant – UL listed, File no.: CYJV2.E318363

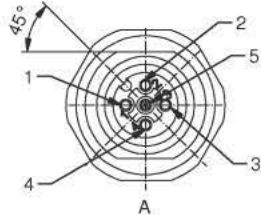
## TECHNICAL DATA

Rated voltage	4-pos	5-pos	8-pos
	250V	60V	30V
Current rating	4A at +40°C (4- and 5-pos)		
	2A at +40°C (8-pos)		
Pollution degree	3 / 2		
Insulation resistance	≥ 100 MΩ		
Degree of protection	IP67 in mated condition		
Temperature range	-30°C to +85°C		
Mating cycles	≥ 100		

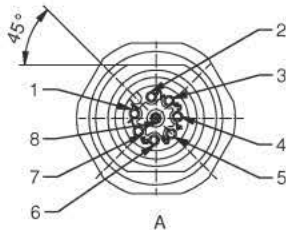
## PRODUCT DRAWING

### Pin Configuration

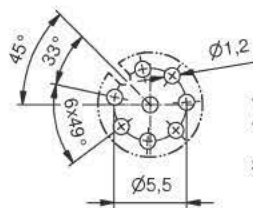
4/5-pos



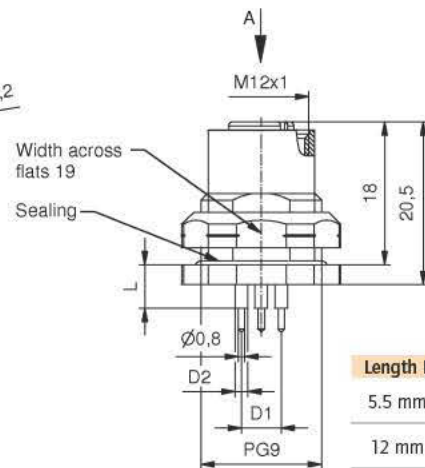
8-pos



### Hole Pattern Printing Board

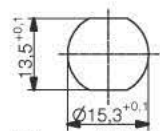


### Dimension



Length L	D1	D2
5.5 mm	∅5.0	∅1.6
12 mm	∅5.0	∅1.6
	∅5.5	∅1.4

### Cut-Out Front Panel



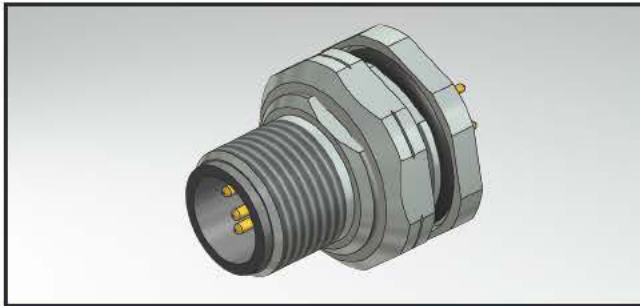
Minimum wall thickness 1.5mm, alternativ panel cut-out d=15.3

## ORDER DATA

Length/L	Description	4-pos Part-no.	Description	5-pos Part-no.	Description	8-pos Part-no.
5.5mm	SAL-12-FKH4-P5,5-9	43-01059	SAL-12-FKH5-P5,5-9	43-01061	SAL-12-FKH8-P5,5-9	43-01063
12mm	SAL-12-FKH4-P12-9	43-01060	SAL-12-FKH5-P12-9	43-01062	SAL-12-FKH8-P12-9	43-01064

# SAL M12x1 CONNECTORS

Male socket dip-solder, backmounting, PG9-thread



RoHS compliant – UL listed, File no.: CYJV2.E318363

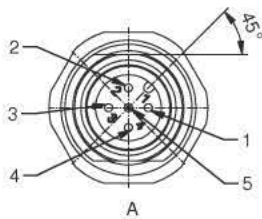
### TECHNICAL DATA

Rated voltage	4-pos	5-pos	8-pos
	250V	60V	30V
Current rating	4A at +40°C (4- and 5-pos)		
	2A at +40°C (8-pos)		
Pollution degree	3 / 2		
Insulation resistance	≥ 100 MΩ		
Degree of protection	IP67 in mated condition		
Temperature range	-40°C to +85°C		
Mating cycles	≥ 100		

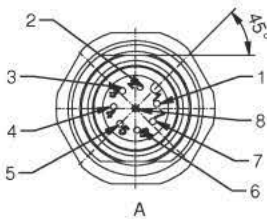
### PRODUCT DRAWING

#### Pin Configuration

4/5-pos



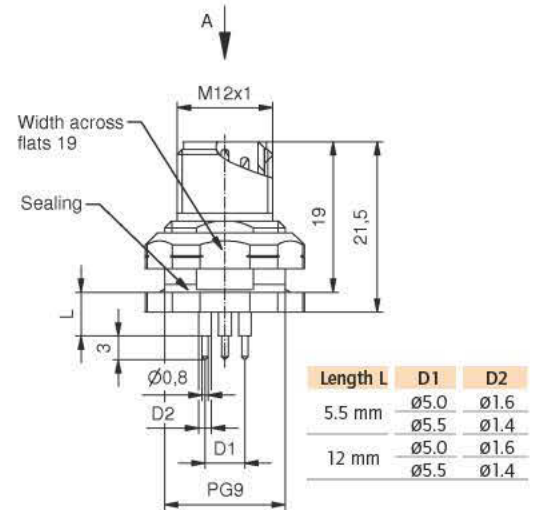
8-pos



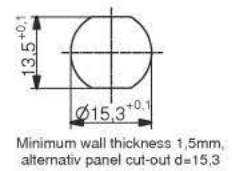
#### Pin layout PCB



#### Dimension



#### Cut-Out Front Panel



### ORDER DATA

Length/L	Description	4-pos Part-no.	Description	5-pos Part-no.	Description	8-pos Part-no.
5,5mm	SAL-12-FSH4-P5,5-9	43-01065	SAL-12-FSH5-P5,5-9	43-01069	SAL-12-FSH8-P5,5-9	43-01071
12mm	SAL-12-FSH4-P12-9	43-01066	SAL-12-FSH5-P12-9	43-01070	SAL-12-FSH8-P12-9	43-01072

# SAL M12x1 CONNECTORS

Female socket backmounting, axial, installation height 5,5mm



RoHS compliant

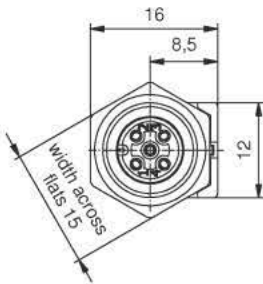
### TECHNICAL DATA

Rated voltage	4-pos	5-pos
	250V	60V
Current rating	4A at +40°C	
Pollution degree	3 / 2	
Insulation resistance	≥ 100 MΩ	
Degree of protection	IP67 in mated condition	
Temperature range	-30°C to +85°C	
Mating cycles	≥ 100	

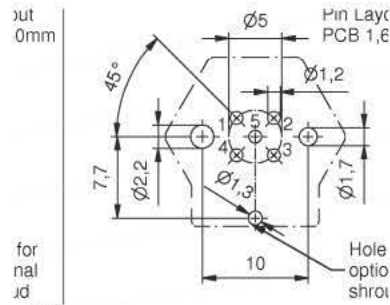
### PRODUCT DRAWING

#### Pin Configuration

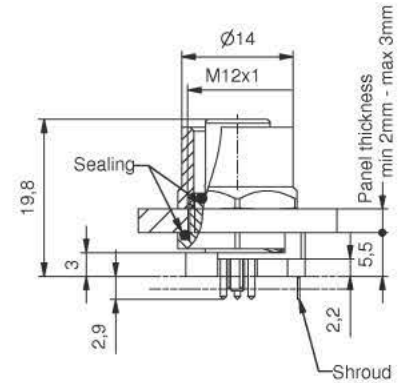
4/5-pos



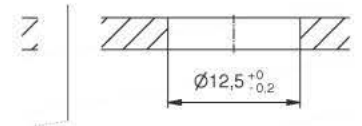
#### Hole Pattern Printing Board



#### Dimension



#### Feedthrough

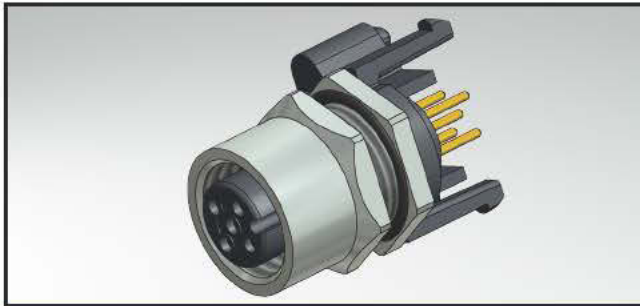


### ORDER DATA

Headroom	Description	4-pos Part-no.	Description	5-pos Part-no.	
5,5mm	SAL-12-FKH4-X5,5	43-01186	SAL-12-FKH5-X5,5	43-01188	with shroud
	SAL-12S-FKH4-X5,5	43-01187	SAL-12S-FKH5-X5,5	43-01189	

# SAL M12x1 CONNECTORS

Female socket backmounting, axial, installation height 10mm



RoHS compliant

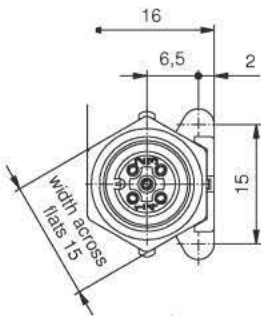
### TECHNICAL DATA

Rated voltage	4-pos	5-pos
	250V	60V
Current rating	4A at +40°C	
Pollution degree	3 / 2	
Insulation resistance	≥ 100 MΩ	
Degree of protection	IP67 in mated condition	
Temperature range	-30°C to +85°C	
Mating cycles	≥ 100	

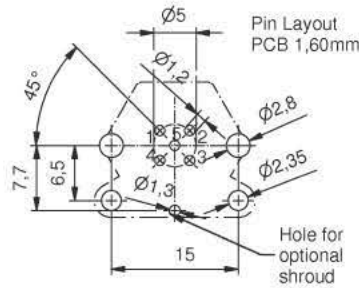
### PRODUCT DRAWING

#### Pin Configuration

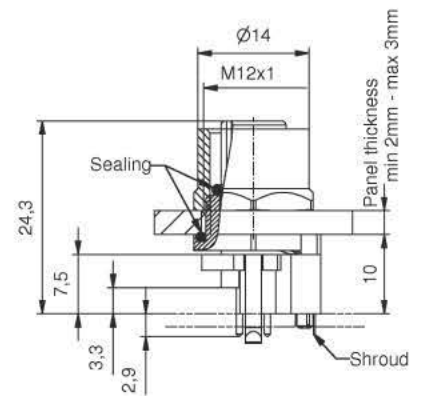
4/5-pos



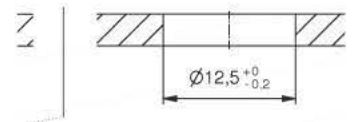
#### Hole Pattern Printing Board



#### Dimension



#### Feedthrough



### ORDER DATA

Headroom	Description	4-pos Part-no.	Description	5-pos Part-no.	
10mm	SAL-12-FKH4-X10	43-01170	SAL-12-FKH5-X10	43-01172	with shroud
	SAL-12S-FKH4-X10	43-01171	SAL-12S-FKH5-X10	43-01173	

# SAL M12x1 CONNECTORS

Female socket backmounting, axial, installation height 10mm



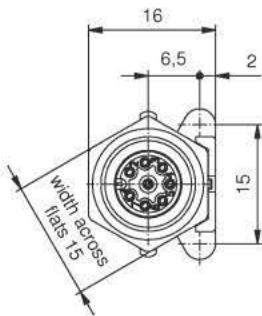
RoHS compliant

### TECHNICAL DATA

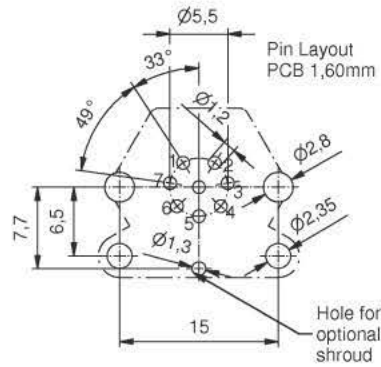
Rated voltage	8-pos 30V
Current rating	2A at +40°C
Pollution degree	3 / 2
Insulation resistance	>= 100 MΩ
Degree of protection	IP67 in mated condition
Temperature range	-30°C to +85°C
Mating cycles	>= 100

### PRODUCT DRAWING

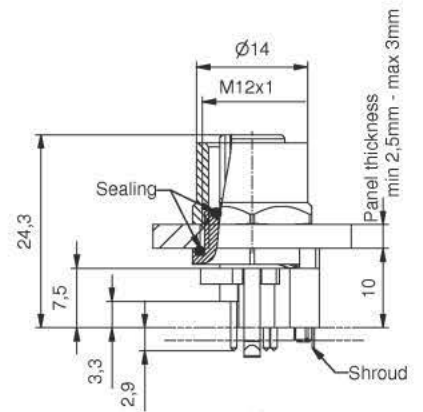
#### Pin Configuration



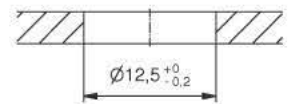
#### Hole Pattern Printing Board



#### Dimension



#### Feedthrough



### ORDER DATA

Headroom	Description	8-pos Part-no.	
10mm	SAL-12-FKH8-X10	43-01334	with shroud
	SAL-12S-FKH8-X10	43-01335	

# SAL M12x1 CONNECTORS

Male socket backmounting, axial, installation height 5,5mm



RoHS compliant

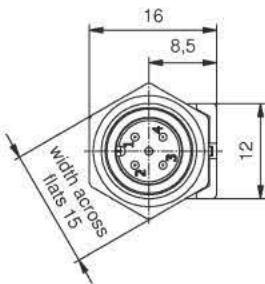
### TECHNICAL DATA

Rated voltage	4-pos	5-pos
	250V	60V
Current rating	4A at +40°C	
Pollution degree	3 / 2	
Insulation resistance	≥ 100 MΩ	
Degree of protection	IP67 in mated condition	
Temperature range	-30°C to +85°C	
Mating cycles	≥ 100	

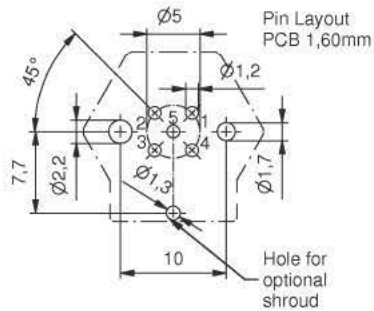
### PRODUCT DRAWING

#### Pin Configuration

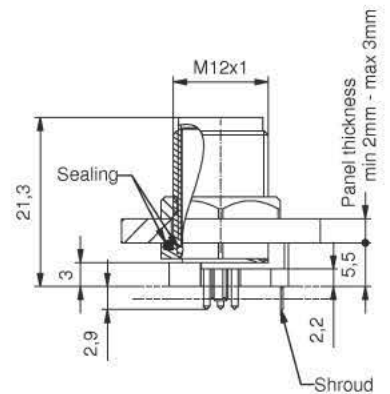
4/5-pos



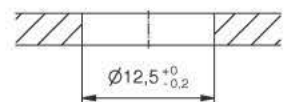
#### Hole Pattern Printing Board



#### Dimension



#### Feedthrough



### ORDER DATA

Headroom	Description	4-pos Part-no.	Description	5-pos Part-no.	
5,5mm	SAL-12-FSH4-X5,5	43-01190	SAL-12-FSH5.1-X5,5	43-01192	with shroud
	SAL-12S-FSH4-X5,5	43-01191	SAL-12S-FSH5.1-X5,5	43-01193	

# SAL M12x1 CONNECTORS

Male socket backmounting, axial, installation height 10mm, with shroud



RoHS compliant

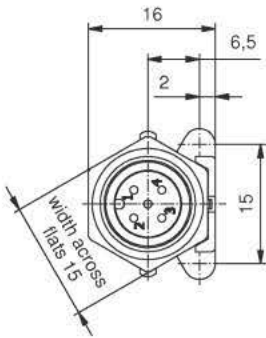
### TECHNICAL DATA

Rated voltage	4-pos	5-pos
	250V	60V
Current rating	4A at +40°C	
Pollution degree	3 / 2	
Insulation resistance	≥ 100 MΩ	
Degree of protection	IP67 in mated condition	
Temperature range	-30°C to +85°C	
Mating cycles	≥ 100	

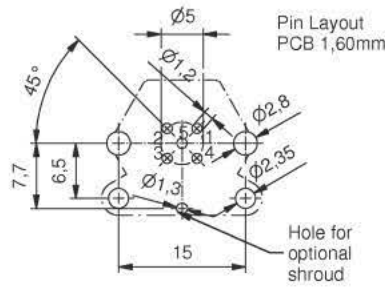
### PRODUCT DRAWING

#### Pin Configuration

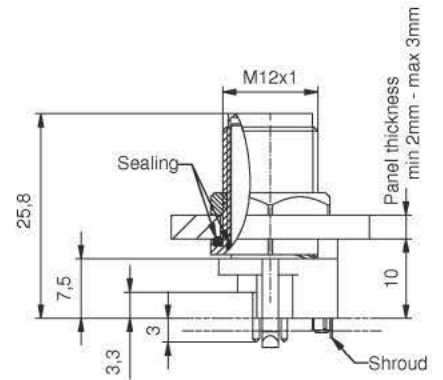
4/5-pos



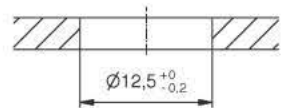
#### Hole Pattern Printing Board



#### Dimension



#### Feedthrough

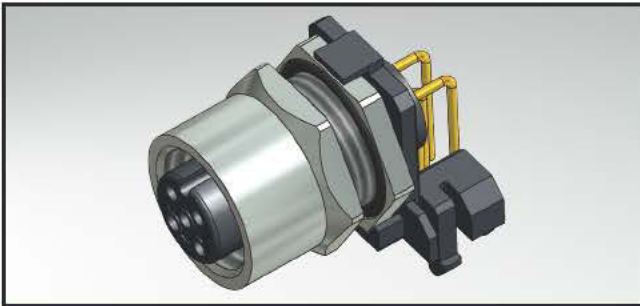


### ORDER DATA

Headroom	Description	4-pos Part-no.	Description	5-pos Part-no.	
10mm	SAL-12-FSH4-X10	43-01174	SAL-12-FSH5.1-X10	43-01176	with shroud
	SAL-12S-FSH4-X10	43-01175	SAL-12S-FSH5.1-X10	43-01177	

# SAL M12x1 CONNECTORS

Female socket backmounting, dip-solder, angled, with shroud



RoHS compliant

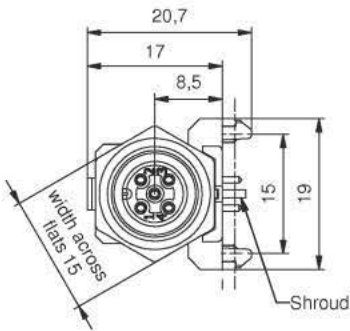
### TECHNICAL DATA

Rated voltage	4-pos	5-pos
	250V	60V
Current rating	4A at +40°C	
Pollution degree	3 / 2	
Insulation resistance	≥ 100 MΩ	
Degree of protection	IP67 in mated condition	
Temperature range	-30°C to +85°C	
Mating cycles	≥ 100	

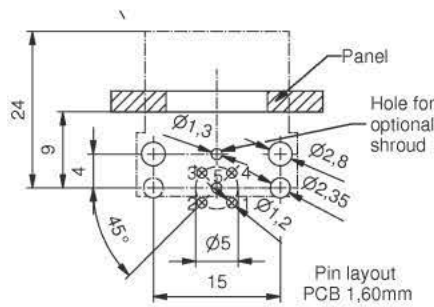
### PRODUCT DRAWING

#### Pin Configuration

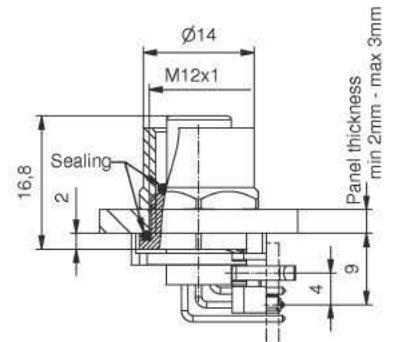
4/5-pos



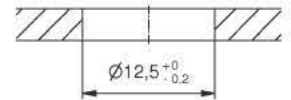
#### Hole Pattern Printing Board



#### Dimension



#### Feedthrough



### ORDER DATA

Description	4-pos Part-no.	Description	5-pos Part-no.	
SAL-12-FKHW4	43-01196	SAL-12-FKHW5	43-01198	
SAL-12S-FKHW4	43-01197	SAL-12S-FKHW5	43-01199	with shroud

# SAL M12x1 CONNECTORS

Male socket backmounting, dip-solder, angled



RoHS compliant

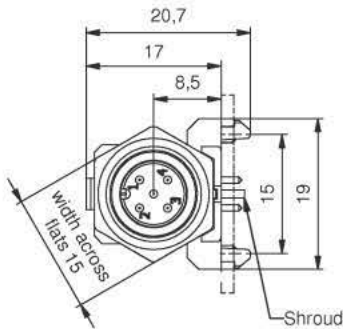
**TECHNICAL DATA**

Rated voltage	4-pos	5-pos
	250V	60V
Current rating	4A at +40°C	
Pollution degree	3 / 2	
Insulation resistance	≥ 100 MΩ	
Degree of protection	IP67 in mated condition	
Temperature range	-30°C to +85°C	
Mating cycles	≥ 100	

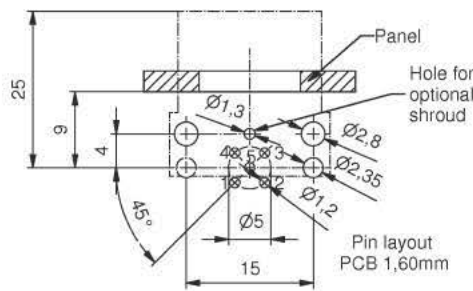
**PRODUCT DRAWING**

**Pin Configuration**

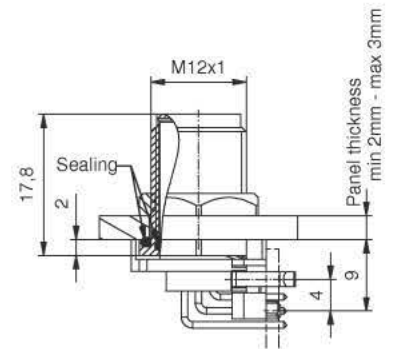
4/5-pos



**Hole Pattern Printing Board**



**Dimension**



**Feedthrough**

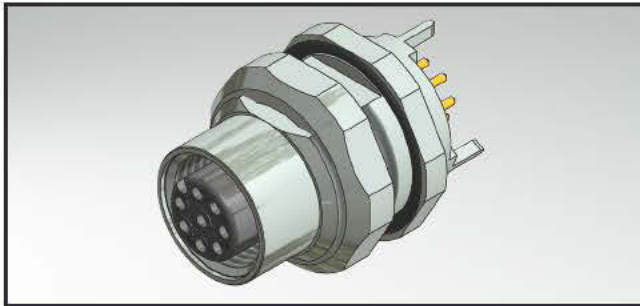


**ORDER DATA**

Description	4-pos Part-no.	Description	5-pos Part-no.	
SAL-12-FSHW4	43-01204	SAL-12-FSHW5.1	43-01206	
SAL-12S-FSHW4	43-01205	SAL-12S-FSHW5.1	43-01207	with shroud

# SAL M12x1 CONNECTORS

Female socket with shielded connection, backmounting, dip-solder



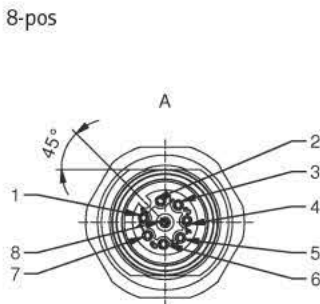
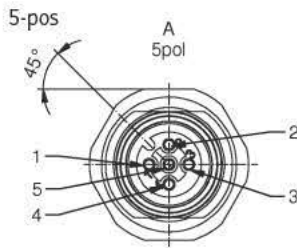
RoHS compliant

### TECHNICAL DATA

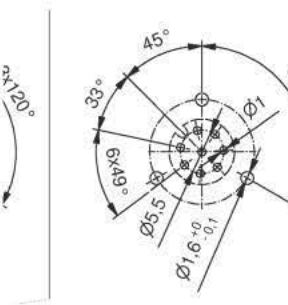
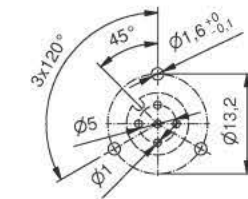
Rated voltage	4-pos	5-pos	8-pos
	250V	60V	30V
Current rating	4A at +40°C (4- and 5-pos)		
	2A at +40°C (8-pos)		
Pollution degree	3 / 2		
Insulation resistance	≥ 100 MΩ		
Degree of protection	IP67 in mated condition		
Temperature range	-30°C to +85°C		
Mating cycles	≥ 100		

### PRODUCT DRAWING

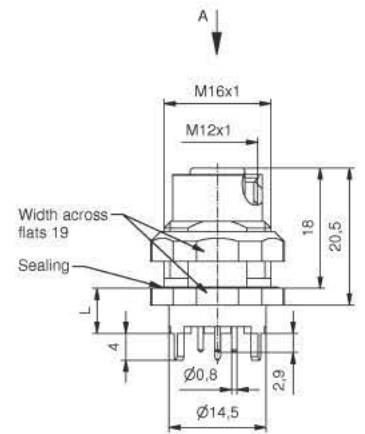
#### Pin Configuration



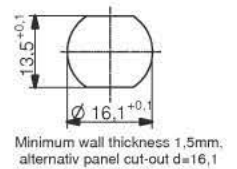
#### Pin layout PCB



#### Dimension



#### Cut-Out Front Panel

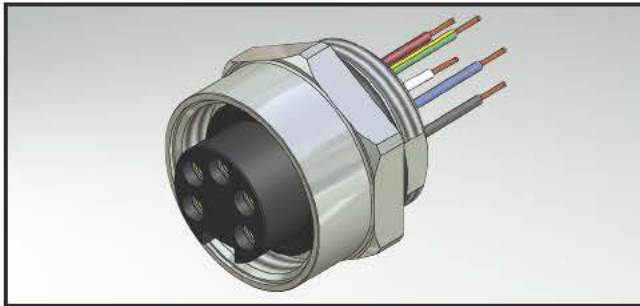


### ORDER DATA

Length/L Contacts	Description	4-pos Part-no.	Description	5-pos Part-no.	Description	8-pos Part-no.
6,75 mm	SAL-12S-FKH4-P6,75	43-01663	SAL-12S-FKH5-P6,75	43-01664	SAL-12S-FKH8-P6,75	43-01665

# SAL 7/8" CONNECTORS

Female socket with wire, frontmounting, PG13,5-thread



RoHS compliant – UL listed, File no.: E331608

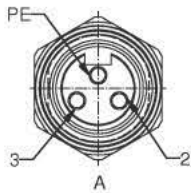
## TECHNICAL DATA

Rated voltage	2-pos+ground	4-pos	4-pos+ground
	300V	300V	300V
Current rating	8A at +40°C		
Pollution degree	3 / 2		
Insulation resistance	≥ 100 MΩ		
Degree of protection	IP67 in mated condition		
Temperature range	-30°C to +75°C		
Mating cycles	≥ 100		

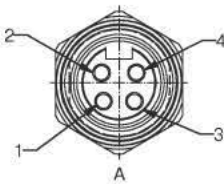
## PRODUCT DRAWING

### Pin Configuration

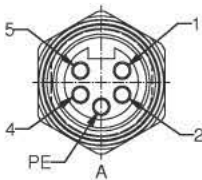
2-pos+ground



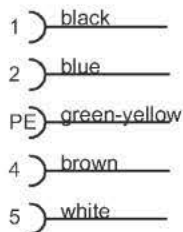
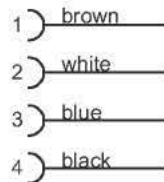
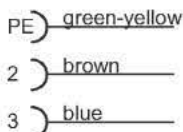
4-pos



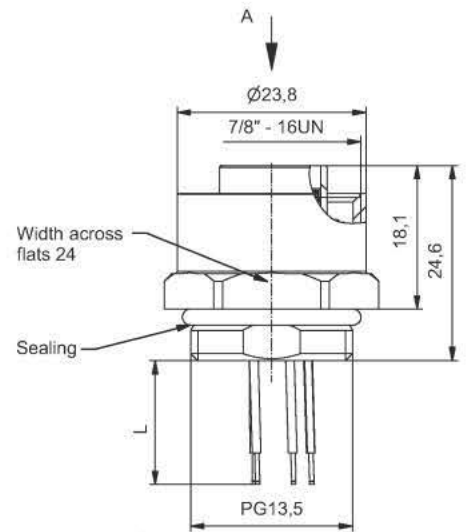
4-pos+ground



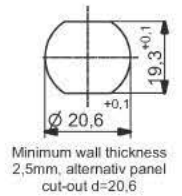
### Contact Assignment



### Dimension



### Cut-Out Front Panel



## ORDER DATA

Wire	Length/L	Description	2-pos+ground Part-no.	Description	4-pos Part-no.	Description	4-pos+ground Part-no.
PVC, AWG18, UL	0,5m	SAL-7/8-FK2PE-0,5	41-40006	SAL-7/8-FK4-0,5	41-40007	SAL-7/8-FK4PE-0,5	41-40008

Accessories (hex nut) in section 9

# SAL 7/8" CONNECTORS

Male socket with wire, frontmounting, PG13,5-thread



RoHS compliant – UL listed, File no.: E331608

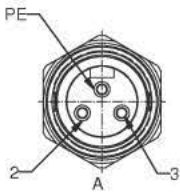
### TECHNICAL DATA

Rated voltage	2-pos+ground 300V	4-pos 300V	4-pos+ground 300V
Current rating	8A at +40°C		
Pollution degree	3 / 2		
Insulation resistance	≥ 100 MΩ		
Degree of protection	IP67 in mated condition		
Temperature range	-30°C to +75°C		
Mating cycles	≥ 100		

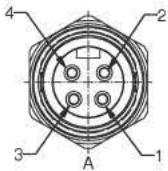
### PRODUCT DRAWING

#### Pin Configuration

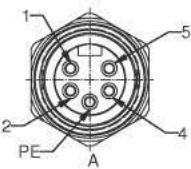
2-pos+ground



4-pos



4-pos+ground



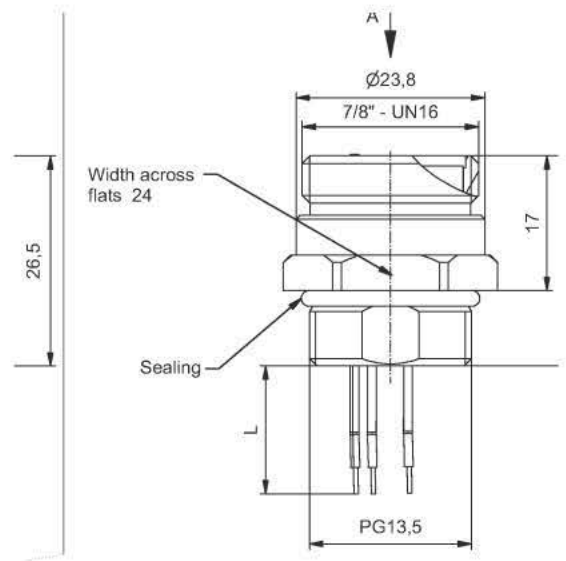
#### Contact Assignment

- PE ■ green-yellow
- 2 ■ brown
- 3 ■ blue

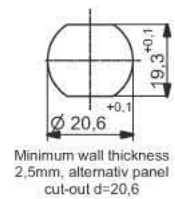
- 1 ■ brown
- 2 ■ white
- 3 ■ blue
- 4 ■ black

- 1 ■ black
- 2 ■ blue
- PE ■ green-yellow
- 4 ■ brown
- 5 ■ white

#### Dimension



#### Cut-Out Front Panel



### ORDER DATA

Wire	Length/L	Description	2-pos+ground Part-no.	Description	4-pos Part-no.	Description	4-pos+ground Part-no.
PVC, AWG18, UL	0,5m	SAL-7 / 8-FS2PE-0,5	41-40000	SAL-7 / 8-FS4-0,5	41-40001	SAL-7 / 8-FS4PE-0,5	41-40002

Accessories (hex nut) in section 9

# SAL 7/8" CONNECTORS

Female socket with wire, frontmounting, PG11-thread



RoHS compliant – UL listed, File no.: E331608

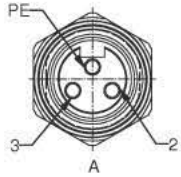
### TECHNICAL DATA

Rated voltage	2-pos+ground 300V	4-pos 300V	4-pos+ground 300V
Current rating	8A at +40°C		
Pollution degree	3 / 2		
Insulation resistance	≥ 100 MΩ		
Degree of protection	IP67 in mated condition		
Temperature range	-30°C to +75°C		
Mating cycles	≥ 100		

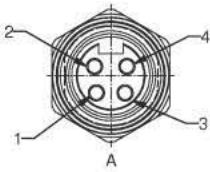
### PRODUCT DRAWING

#### Pin Configuration

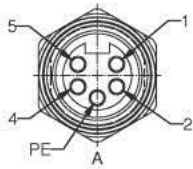
2-pos+ground



4-pos



4-pos+ground



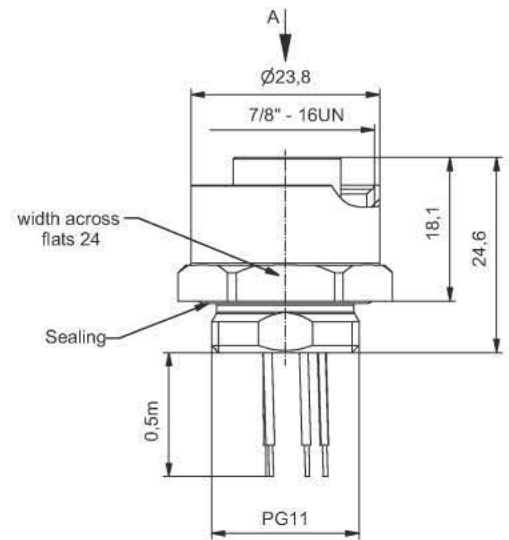
#### Contact Assignment

- PE) green-yellow
- 2) brown
- 3) blue

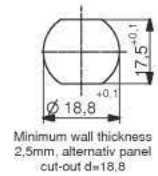
- 1) brown
- 2) white
- 3) blue
- 4) black

- 1) black
- 2) blue
- PE) green-yellow
- 4) brown
- 5) white

#### Dimension



#### Cut-Out Front Panel



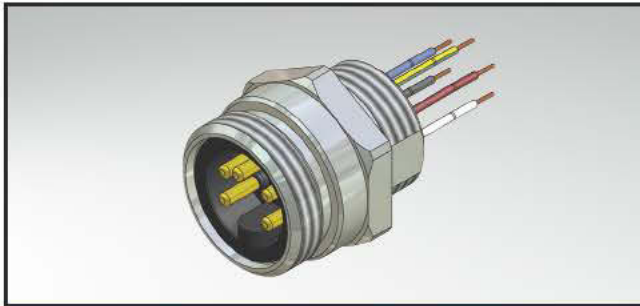
### ORDER DATA

Wire	Length/L	Description	2-pos+ground Part-no.	Description	4-pos Part-no.	Description	4-pos+ground Part-no.
PVC, AWG18, UL	0,5m	SAL7/8-FK2PE-0,5-11	41-40030	SAL7/8-FK4-0,5-11	41-40031	SAL7/8-FK4PE-0,5-11	41-40032

Accessories (hex nut) in section 9

# SAL 7/8" CONNECTORS

Male socket with wire, frontmounting, PG11-thread



RoHS compliant – UL listed, File no.: E331608

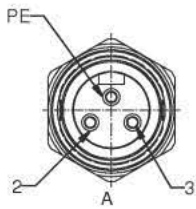
### TECHNICAL DATA

Rated voltage	2-pos+ground 300V	4-pos 300V	4-pos+ground 300V
Current rating	8A at +40°C		
Pollution degree	3 / 2		
Insulation resistance	≥ 100 MΩ		
Degree of protection	IP67 in mated condition		
Temperature range	-30°C to +75°C		
Mating cycles	≥ 100		

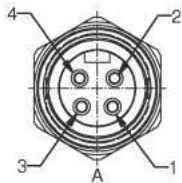
### PRODUCT DRAWING

#### Pin Configuration

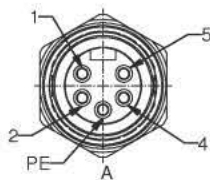
2-pos+ground



4-pos



4-pos+ground



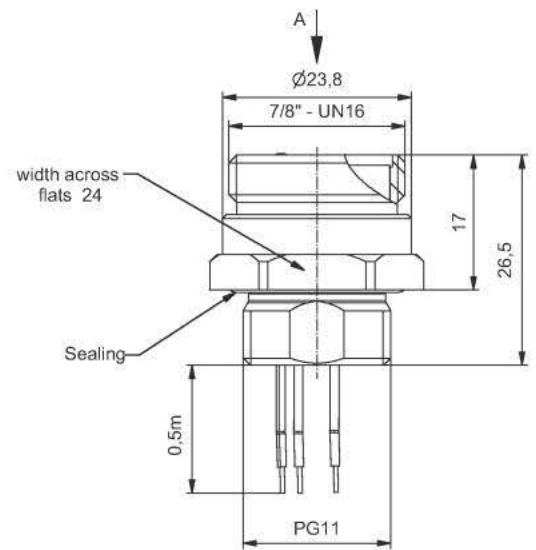
#### Contact Assignment

- PE ■ green-yellow
- 2 ■ brown
- 3 ■ blue

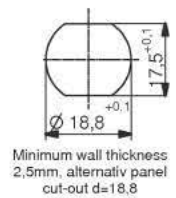
- 1 ■ brown
- 2 ■ white
- 3 ■ blue
- 4 ■ black

- 1 ■ black
- 2 ■ blue
- PE ■ green-yellow
- 4 ■ brown
- 5 ■ white

#### Dimension



#### Cut-Out Front Panel



### ORDER DATA

Wire	Length/L	Description	2-pos+ground Part-no.	Description	4-pos Part-no.	Description	4-pos+ground Part-no.
PVC, AWG18, UL	0,5m	SAL-7 / 8-FS2PE-0,5-11	41-40024	SAL-7 / 8-FS4-0,5-11	41-40025	SAL-7 / 8-FS4PE-0,5-11	41-40026

Accessories (hex nut) in section 9

# SAL 7/8" CONNECTORS

Female socket with wire, frontmounting, PG13,5-thread



RoHS compliant – UL listed, File no.: E331608

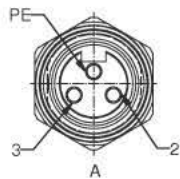
### TECHNICAL DATA

Rated voltage	2-pos+ground	4-pos	4-pos+ground
	300V	300V	300V
Current rating	12A at +40°C		
Pollution degree	3 / 2		
Insulation resistance	≥ 100 MΩ		
Degree of protection	IP67 in mated condition		
Temperature range	-30°C to +75°C		
Mating cycles	≥ 100		

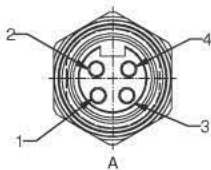
### PRODUCT DRAWING

#### Pin Configuration

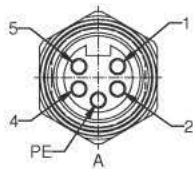
2-pos+ground



4-pos



4-pos+ground



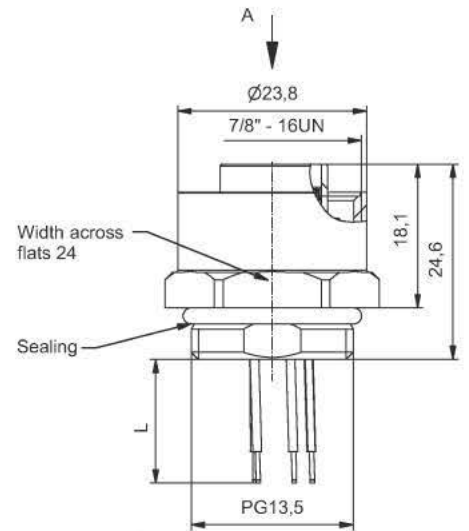
#### Contact Assignment

- PE) green-yellow
- 2) brown
- 3) blue

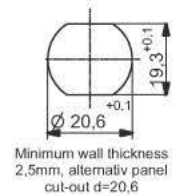
- 1) brown
- 2) white
- 3) blue
- 4) black

- 1) black
- 2) blue
- PE) green-yellow
- 4) brown
- 5) white

#### Dimension



#### Cut-Out Front Panel



### ORDER DATA

Wire	Length/L	Description	2-pos+ground Part-no.	Description	4-pos Part-no.	Description	4-pos+ground Part-no.
PVC, AWG16, UL	0,5m	SAL-7 / 8-FK2PE-0,5 / 150	41-40015	SAL-7 / 8-FK4-0,5 / 150	41-40016	SAL-7 / 8-FK4PE-0,5 / 150	41-40017

Accessories (hex nut) in section 9

# SAL 7/8" CONNECTORS

Male socket with wire, frontmounting, PG13,5-thread



RoHS compliant – UL listed, File no.: E331608

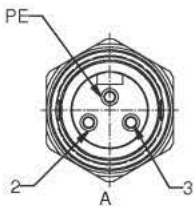
### TECHNICAL DATA

Rated voltage	2-pos+ground 300V	4-pos 300V	4-pos+ground 300V
Current rating	12A at +40°C		
Pollution degree	3 / 2		
Insulation resistance	≥ 100 MΩ		
Degree of protection	IP67 in mated condition		
Temperature range	-30°C to +75°C		
Mating cycles	≥ 100		

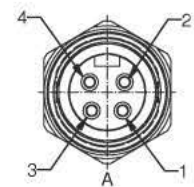
### PRODUCT DRAWING

#### Pin Configuration

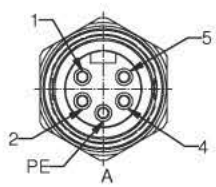
2-pos+ground



4-pos



4-pos+ground



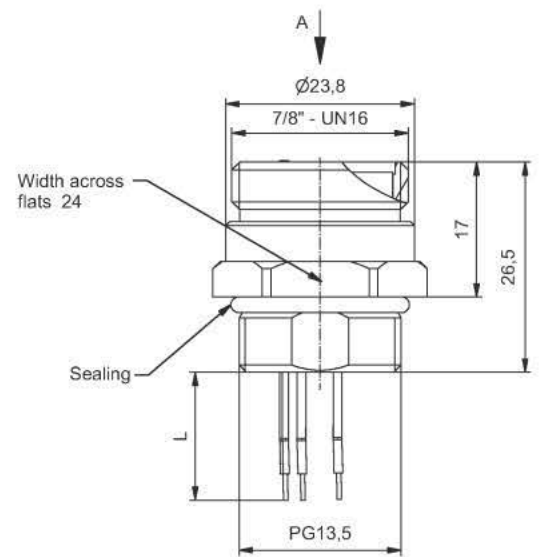
#### Contact Assignment

- PE ■ green-yellow
- 2 ■ brown
- 3 ■ blue

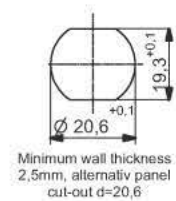
- 1 ■ brown
- 2 ■ white
- 3 ■ blue
- 4 ■ black

- 1 ■ black
- 2 ■ blue
- PE ■ green-yellow
- 4 ■ brown
- 5 ■ white

#### Dimension



#### Cut-Out Front Panel



### ORDER DATA

Wire	Length/L	Description	2-pos+ground Part-no.	Description	4-pos Part-no.	Description	4-pos+ground Part-no.
PVC, AWG16, UL	0,5m	SAL-7/8-FS2PE-0,5/150	41-40009	SAL-7/8-FS4-0,5/150	41-40010	SAL-7/8-FS4PE-0,5/150	41-40011

Accessories (hex nut) in section 9

# SAL 7/8" CONNECTORS

Female socket with wire, frontmounting, PG11-thread



RoHS compliant – UL listed, File no.: E331608

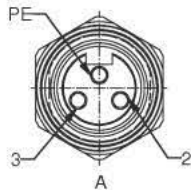
### TECHNICAL DATA

Rated voltage	2-pos+ground	4-pos	4-pos+ground
	300V	300V	300V
Current rating	12A at +40°C		
Pollution degree	3 / 2		
Insulation resistance	≥ 100 MΩ		
Degree of protection	IP67 in mated condition		
Temperature range	-30°C to +75°C		
Mating cycles	≥ 100		

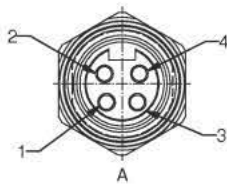
### PRODUCT DRAWING

#### Pin Configuration

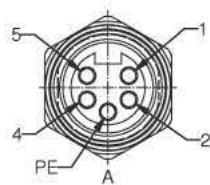
2-pos+ground



4-pos



4-pos+ground



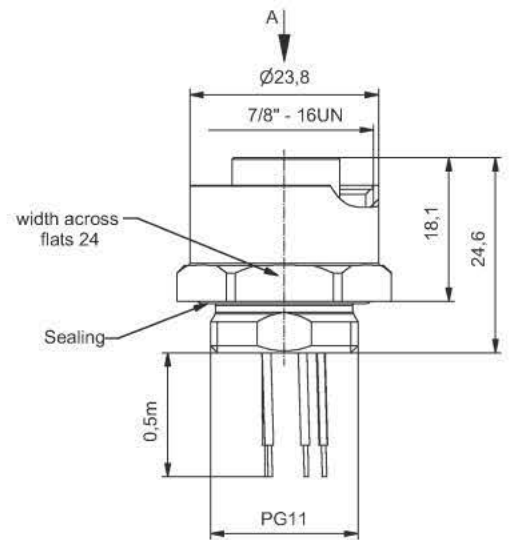
#### Contact Assignment

- PE) green-yellow
- 2) brown
- 3) blue

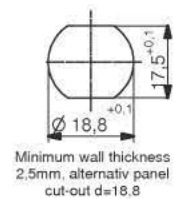
- 1) brown
- 2) white
- 3) blue
- 4) black

- 1) black
- 2) blue
- PE) green-yellow
- 4) brown
- 5) white

#### Dimension



#### Cut-Out Front Panel



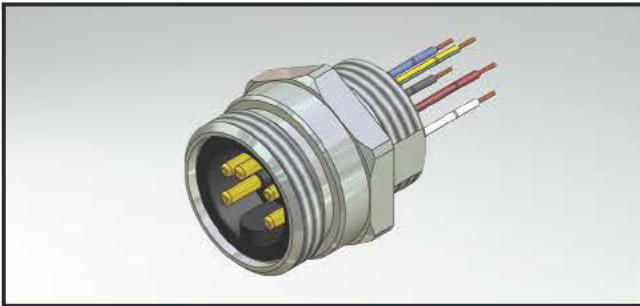
### ORDER DATA

Wire	Length/L	Description	2-pos+ground Part-no.	Description	4-pos Part-no.	Description	4-pos+ground Part-no.
PVC, AWG16, UL	0,5m	SAL-7 / 8-FK2PE-0,5 / 150-11	41-40039	SAL-7 / 8-FK4-0,5 / 150-11	41-40040	SAL-7 / 8-FK4PE-0,5 / 150-11	41-40041

Accessories (hex nut) in section 9

# SAL 7/8" CONNECTORS

Male socket with wire, frontmounting, PG11-thread



RoHS compliant – UL listed, File no.: E331608

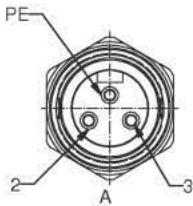
### TECHNICAL DATA

Rated voltage	2-pos+ground	4-pos	4-pos+ground
	300V	300V	300V
Current rating	12A at +40°C		
Pollution degree	3 / 2		
Insulation resistance	≥ 100 MΩ		
Degree of protection	IP67 in mated condition		
Temperature range	-30°C to +75°C		
Mating cycles	≥ 100		

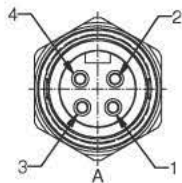
### PRODUCT DRAWING

#### Pin Configuration

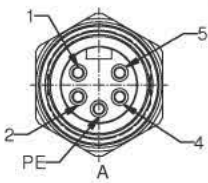
2-pos+ground



4-pos



4-pos+ground



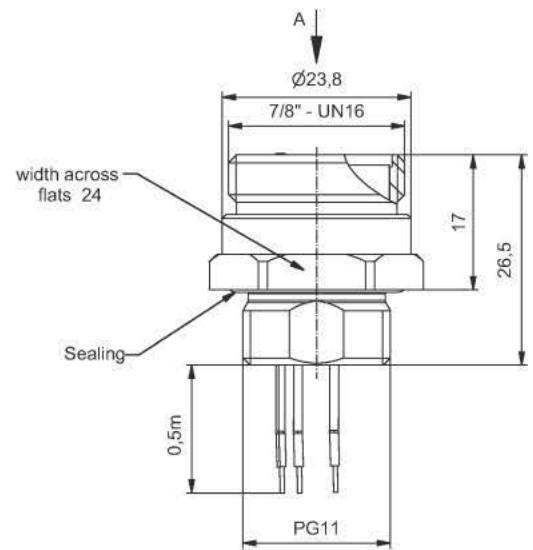
#### Contact Assignment

- PE ■ green-yellow
- 2 ■ brown
- 3 ■ blue

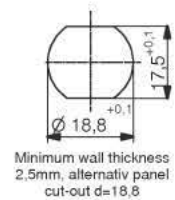
- 1 ■ brown
- 2 ■ white
- 3 ■ blue
- 4 ■ black

- 1 ■ black
- 2 ■ blue
- PE ■ green-yellow
- 4 ■ brown
- 5 ■ white

#### Dimension



#### Cut-Out Front Panel



### ORDER DATA

Wire	Length/L	Description	2-pos+ground Part-no.	Description	4-pos Part-no.	Description	4-pos+ground Part-no.
PVC, AWG16, UL	0,5m	SAL7/8-FS2PE-0,5/150-11	41-40033	SAL7/8-FS4-0,5/150-11	41-40034	SAL7/8-FS4PE-0,5/150-11	41-40035

Accessories (hex nut) in section 9

# SAL 7/8" CONNECTORS

Female socket, dip-solder, frontmounting, PG13,5-thread, installation height 10mm



RoHS compliant – UL listed, File no.: E331608

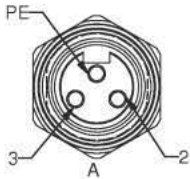
### TECHNICAL DATA

Rated voltage	2-pos+ground 300V	4-pos 300V	4-pos+ground 300V
Current rating	12A at +40°C		
Pollution degree	3 / 2		
Insulation resistance	≥ 100 MΩ		
Degree of protection	IP67 in mated condition		
Temperature range	-30°C to +75°C		
Mating cycles	≥ 100		

### PRODUCT DRAWING

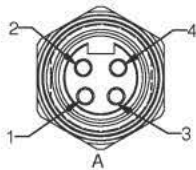
#### Pin Configuration

2-pos+ground



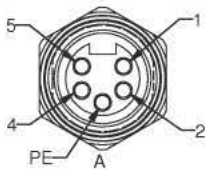
View rotated 90°

4-pos



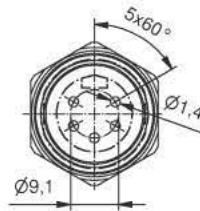
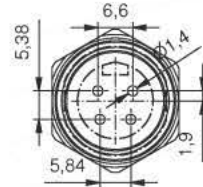
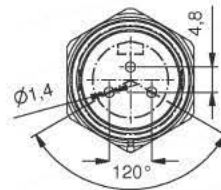
View rotated 90°

4-pos+ground

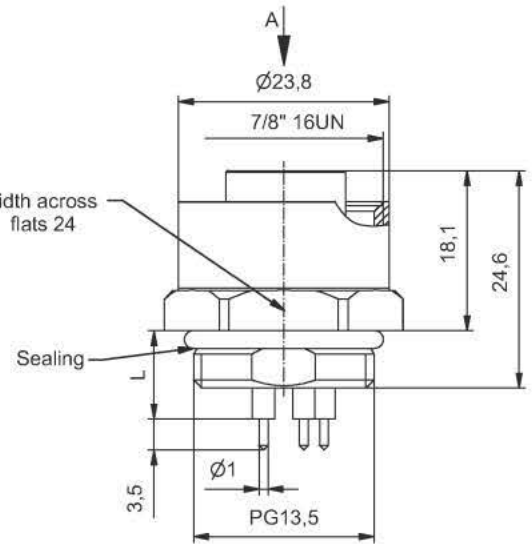


View rotated 90°

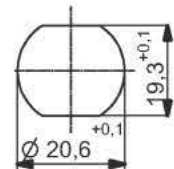
#### Hole Pattern Printing Board



#### Dimension



#### Cut-Out Front Panel



Minimum wall thickness 2,5mm, alternativ panel cut-out d=20,6

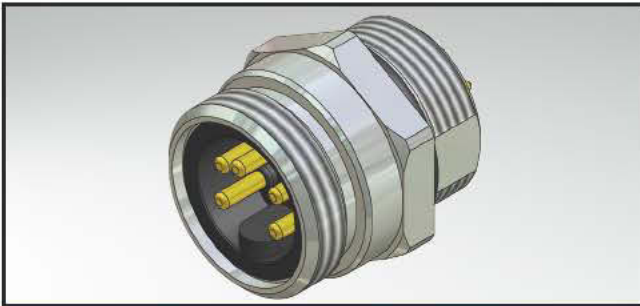
### ORDER DATA

Length/L	Description	2-pos+ground Part-no.	Description	4-pos Part-no.	Description	4-pos+ground Part-no.
10mm	SAL-7 / 8-FK2PE-P10	41-40021	SAL-7 / 8-FK4-P10	41-40022	SAL-7 / 8-FK4PE-P10	41-40023

Accessories (hex nut) in section 9

# SAL 7/8" CONNECTORS

Male socket, dip-solder, frontmounting, PG13,5-thread, installation height 10mm



RoHS compliant – UL listed, File no.: E331608

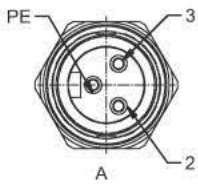
### TECHNICAL DATA

Rated voltage	2-pos+ground	4-pos	4-pos+ground
	300V	300V	300V
Current rating	12A at +40°C		
Pollution degree	3 / 2		
Insulation resistance	≥ 100 MΩ		
Degree of protection	IP67 in mated condition		
Temperature range	-30°C to +75°C		
Mating cycles	≥ 100		

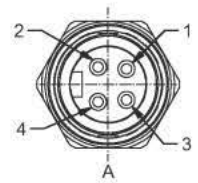
### PRODUCT DRAWING

#### Pin Configuration

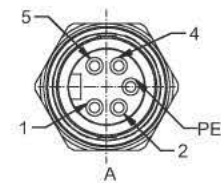
2-pos+ground



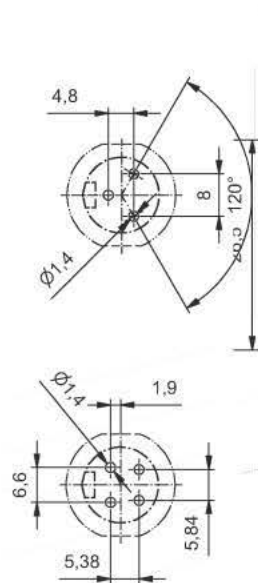
4-pos



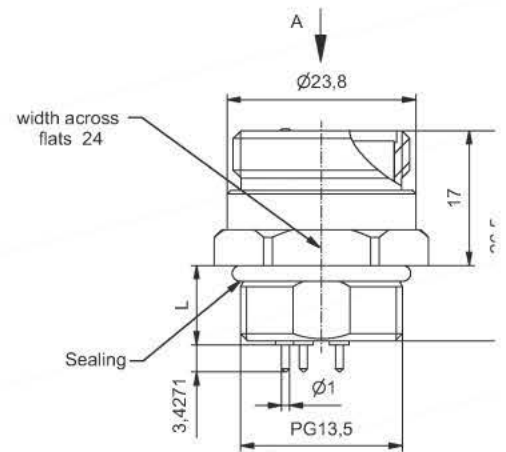
4-pos+ground



#### Hole Pattern Printing Board



#### Dimension



#### Cut-Out Front Panel

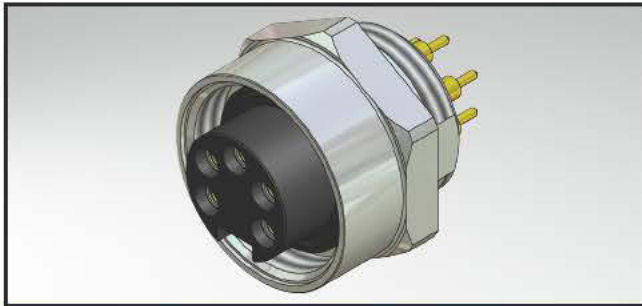


### ORDER DATA

Length/L	Description	2-pos+ground Part-no.	Description	4-pos Part-no.	Description	4-pos+ground Part-no.
10mm	SAL-7 / 8-FS2PE-P10	41-40018	SAL-7 / 8-FS4-P10	41-40019	SAL-7 / 8-FS4PE-P10	41-40020

# SAL 7/8" CONNECTORS

Female socket, dip-solder, frontmounting, PG11-thread, installation height 10mm



RoHS compliant – UL listed, File no.: E331608

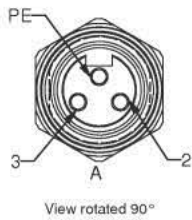
## TECHNICAL DATA

Rated voltage	2-pos+ground	4-pos	4-pos+ground
	300V	300V	300V
Current rating	12A at +40°C		
Pollution degree	3 / 2		
Insulation resistance	≥ 100 MΩ		
Degree of protection	IP67 in mated condition		
Temperature range	-30°C to +75°C		
Mating cycles	≥ 100		

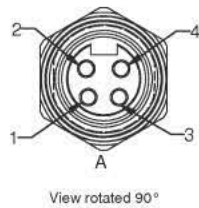
## PRODUCT DRAWING

### Pin Configuration

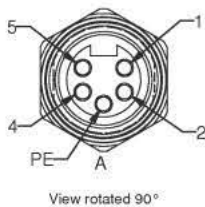
2-pos+ground



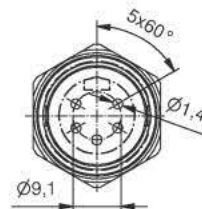
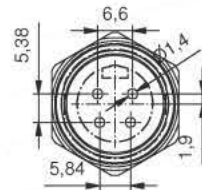
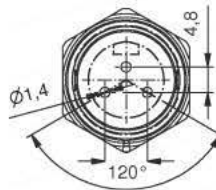
4-pos



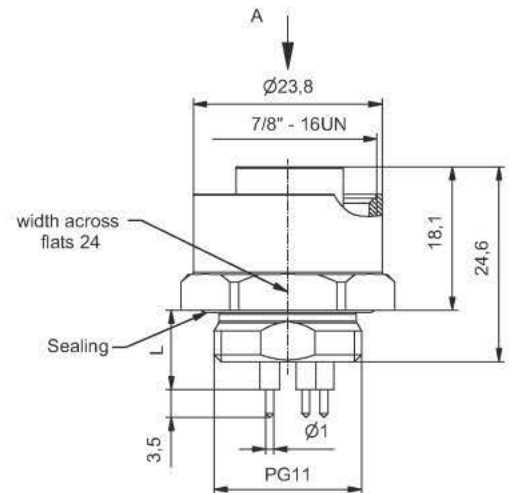
4-pos+ground



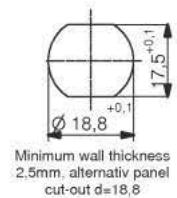
### Hole Pattern Printing Board



### Dimension



### Cut-Out Front Panel



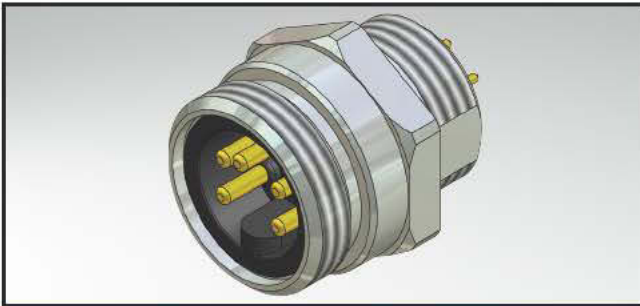
## ORDER DATA

Length/L	Description	2-pos+ground Part-no.	Description	4-pos Part-no.	Description	4-pos+ground Part-no.
10mm	SAL-7 / 8-FK2PE-P10-11	41-40045	SAL-7 / 8-FK4-P10-11	41-40046	SAL-7 / 8-FK4PE-P10-11	41-40047

Accessories (hex nut) in section 9

# SAL 7/8" CONNECTORS

Male socket, dip-solder, frontmounting, PG11-thread, installation height 10mm



RoHS compliant – UL listed, File no.: E331608

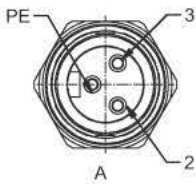
### TECHNICAL DATA

Rated voltage	2-pos+ground	4-pos	4-pos+ground
	300V	300V	300V
Current rating	12A at +40°C		
Pollution degree	3 / 2		
Insulation resistance	≥ 100 MΩ		
Degree of protection	IP67 in mated condition		
Temperature range	-30°C to +75°C		
Mating cycles	≥ 100		

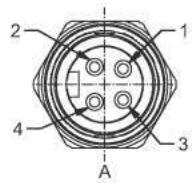
### PRODUCT DRAWING

#### Pin Configuration

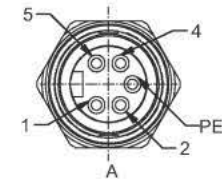
2-pos+ground



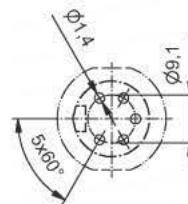
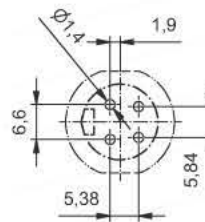
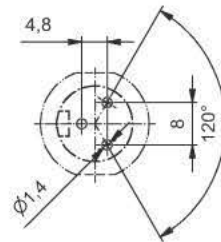
4-pos



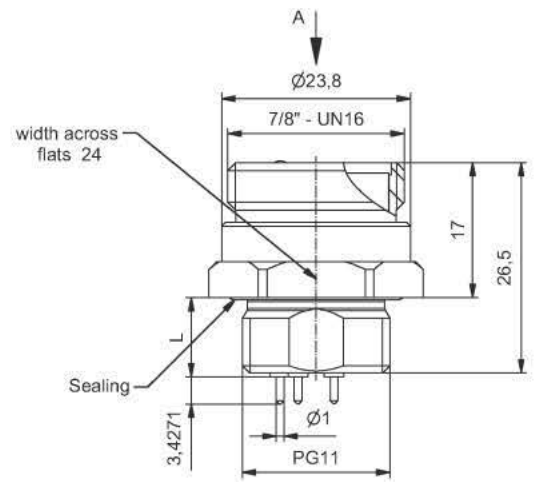
4-pos+ground



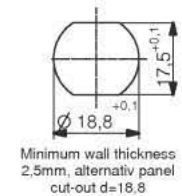
#### Hole Pattern Printing Board



#### Dimension



#### Cut-Out Front Panel

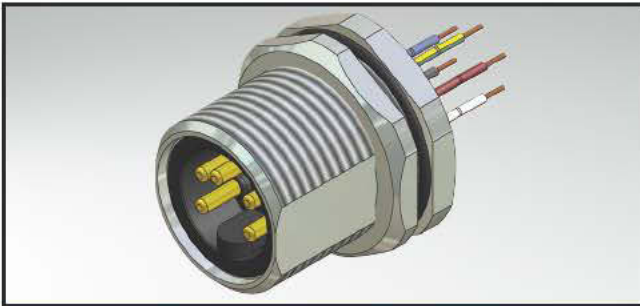


### ORDER DATA

Length/L	Description	2-pos+ground Part-no.	Description	4-pos Part-no.	Description	4-pos+ground Part-no.
10mm	SAL-7 / 8-FS2PE-P10-11	41-40042	SAL-7 / 8-FS4-P10-11	41-40043	SAL-7 / 8-FS4PE-P10-11	41-40044

# SAL 7/8" CONNECTORS

Male socket with wire, backmounting



RoHS compliant – UL listed, File no.: E331608

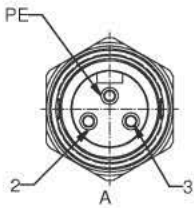
### TECHNICAL DATA

Rated voltage	2-pos+ground	4-pos	4-pos+ground
	300V	300V	300V
Current rating	8A at +40°C		
Pollution degree	3 / 2		
Insulation resistance	≥ 100 MΩ		
Degree of protection	IP67 in mated condition		
Temperature range	-30°C to +75°C		
Mating cycles	≥ 100		

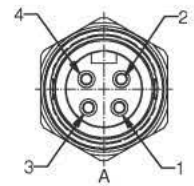
### PRODUCT DRAWING

#### Pin Configuration

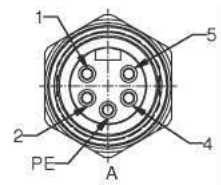
2-pos+ground



4-pos



4-pos+ground



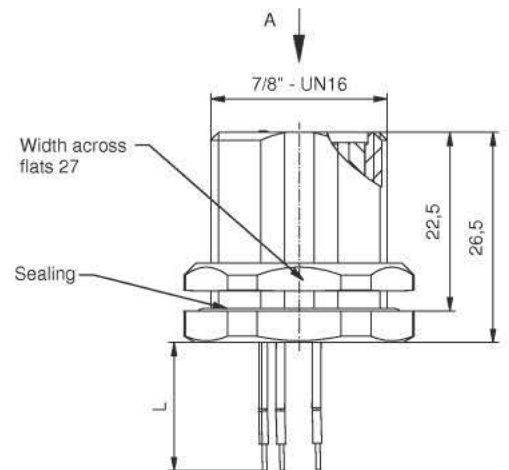
#### Contact Assignment

- PE ■ green-yellow
- 2 ■ brown
- 3 ■ blue

- 1 ■ brown
- 2 ■ white
- 3 ■ blue
- 4 ■ black

- 1 ■ black
- 2 ■ blue
- PE ■ green-yellow
- 4 ■ brown
- 5 ■ white

#### Dimension



#### Cut-Out Front Panel

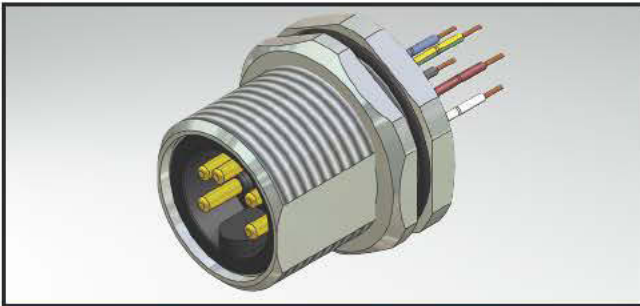


### ORDER DATA

Wire	Length/L	Description	2-pos+ground Part-no.	Description	4-pos Part-no.	Description	4-pos+ground Part-no.
PVC, AWG18, UL	0,5m	SAL-7/8-FSH2PE-0,5	41-40003	SAL-7/8-FSH4-0,5	41-40004	SAL-7/8-FSH4PE-0,5	41-40005

# SAL 7/8" CONNECTORS

Male socket with wire, backmounting



RoHS compliant – UL listed, File no.: E331608

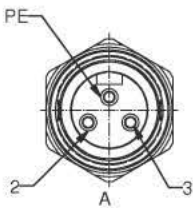
### TECHNICAL DATA

Rated voltage	2-pos+ground	4-pos	4-pos+ground
	300V	300V	300V
Current rating	12A at +40°C		
Pollution degree	3 / 2		
Insulation resistance	≥ 100 MΩ		
Degree of protection	IP67 in mated condition		
Temperature range	-30°C to +75°C		
Mating cycles	≥ 100		

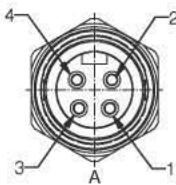
### PRODUCT DRAWING

#### Pin Configuration

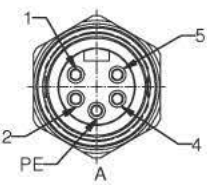
2-pos+ground



4-pos



4-pos+ground



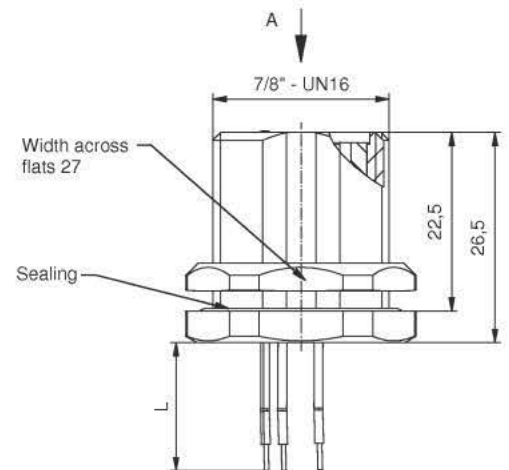
#### Contact Assignment

- PE ■ green-yellow
- 2 ■ brown
- 3 ■ blue

- 1 ■ brown
- 2 ■ white
- 3 ■ blue
- 4 ■ black

- 1 ■ black
- 2 ■ blue
- PE ■ green-yellow
- 4 ■ brown
- 5 ■ white

#### Dimension



#### Cut-Out Front Panel

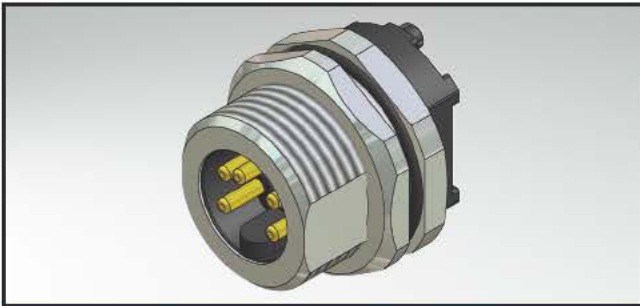


### ORDER DATA

Wire	Length/L	Description	2-pos+ground Part-no.	Description	4-pos Part-no.	Description	4-pos+ground Part-no.
PVC, AWG16, UL	0,5m	SAL-7/8-FSH2PE-0,5/150	41-40012	SAL-7/8-FSH4-0,5/150	41-40013	SAL-7/8-FSH4PE-0,5/150	41-40014

# SAL 7/8" CONNECTORS

Male socket, dip-solder, backmounting



RoHS compliant – UL listed, File no.: E331608

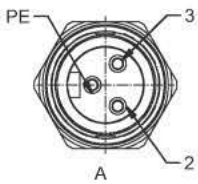
## TECHNICAL DATA

Rated voltage	2-pos+ground 300V	4-pos 300V	4-pos+ground 300V
Current rating	12A at +40°C		
Pollution degree	3 / 2		
Insulation resistance	≥ 100 MΩ		
Degree of protection	IP67 in mated condition		
Temperature range	-30°C to +75°C		
Mating cycles	≥ 100		

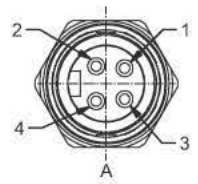
## PRODUCT DRAWING

### Pin Configuration

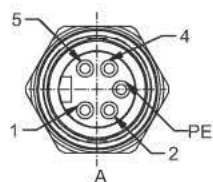
2-pos+ground



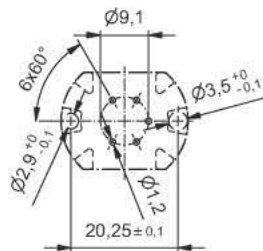
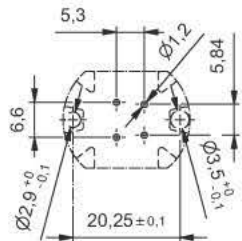
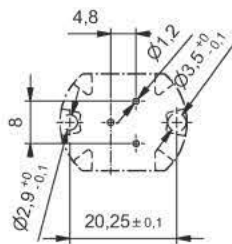
4-pos



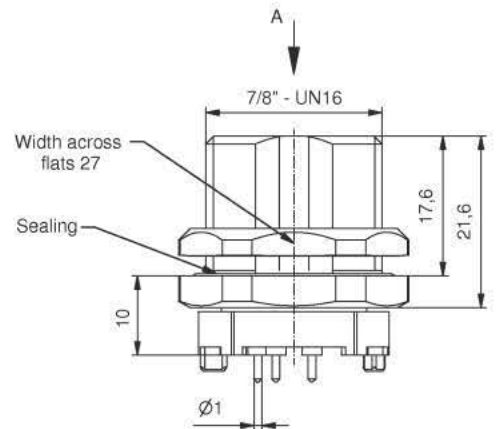
4-pos+ground



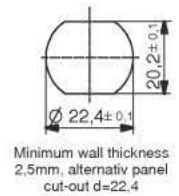
### Hole Pattern Printing Board



### Dimension



### Cut-Out Front Panel



## ORDER DATA

Description	2-pos+ground Part-no.	Description	4-pos Part-no.	Description	4-pos+ground Part-no.
SAL-7 / 8-FSH2PE-X10	41-40048	SAL-7 / 8-FSH4-X10	41-40049	SAL-7 / 8-FSH4PE-X10	41-40050

# SAL M12x1 CONNECTORS

Lead through for switch case, male socket (fixed) – female socket (positioning possible)



RoHS compliant

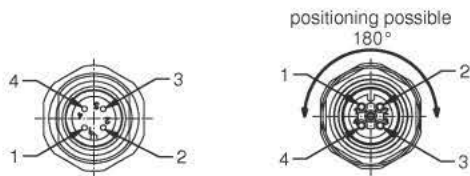
### TECHNICAL DATA

Rated voltage	4-pos	5-pos
	250V	60V
Current rating	4A at +40°C	
Pollution degree	3 / 2	
Insulation resistance	≥ 100 MΩ	
Degree of protection	IP67 in mated condition	
Temperature range	-30°C to +85°C	
Mating cycles	≥ 100	

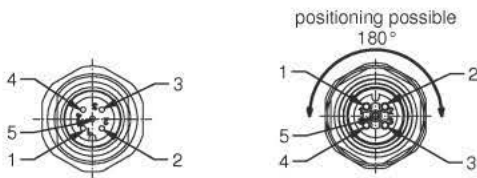
### PRODUCT DRAWING

#### Pin Configuration

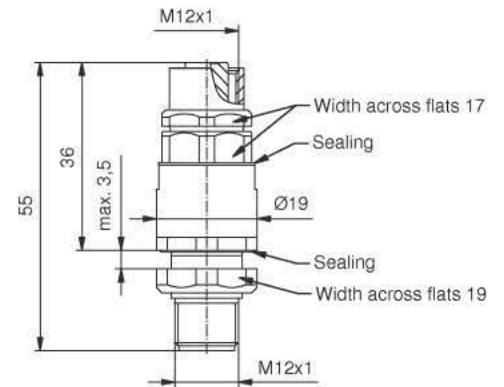
4-pos



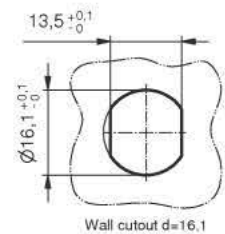
5-pos



#### Dimension



#### Wall cutout

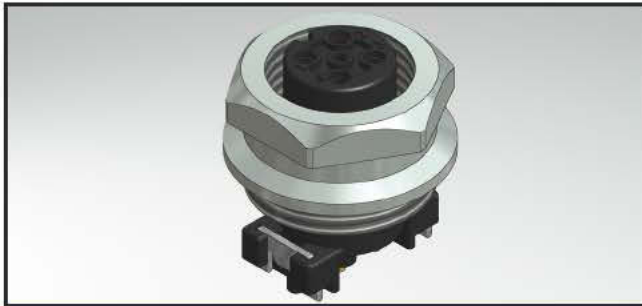


### ORDER DATA

Description	4-pos Part-no.	Description	5-pos Part-no.
SAL-12-FSH4-FKP4-WD	43-01691	SAL-12-FSH5-FKP5-WD	43-01692

# SAL M12x1 CONNECTORS

## Female socket SMT-version



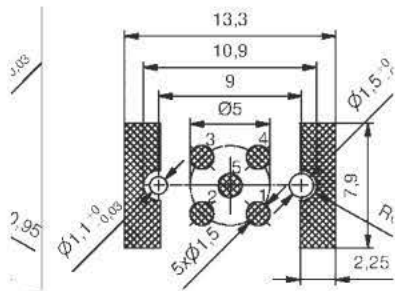
RoHS compliant

### TECHNICAL DATA

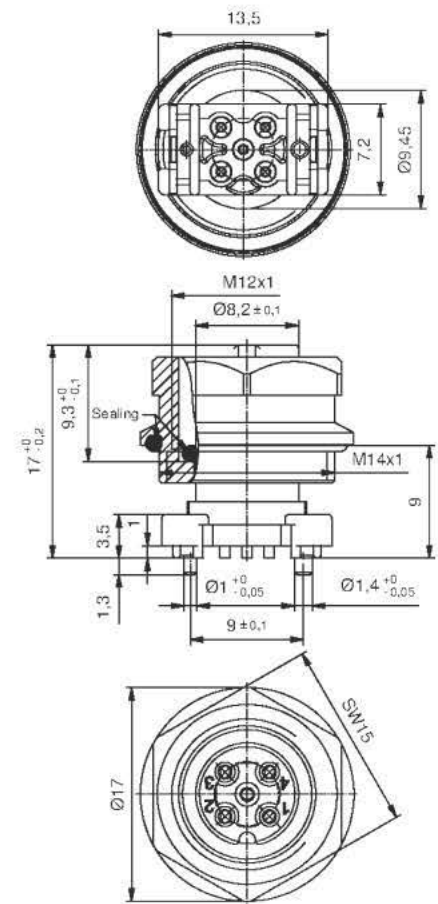
Rated voltage	4-pos	5-pos
	250V	60V
Current rating	4A at +40°C	
Pollution degree	3 / 2	
Insulation resistance	≥ 100 MΩ	
Degree of protection	IP67 in mated condition	
Temperature range	-25°C to +95°C	
Mating cycles	≥ 100	

### PRODUCT DRAWING

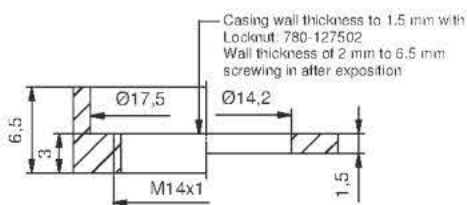
#### Layout proposal



#### Dimension



#### Assembly dimensions



Coplanarity of all contacts and soldering sheets max 0,1mm

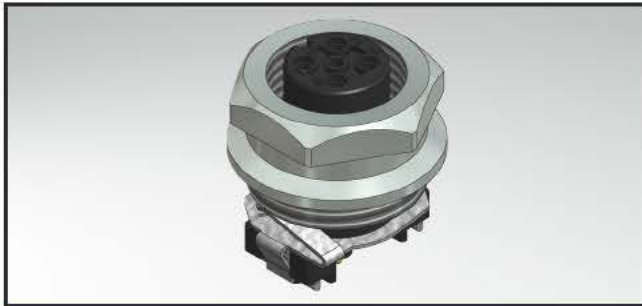
Insulating body module suitable for reflow soldering  
max. 60s / 250°C

### ORDER DATA

Description	4-pos Part-no.	Description	5-pos Part-no.
SAL-12-FK4-X9 / 14 / SMT	43-01852	SAL-12-FK5-X9 / 14 / SMT	43-01853

# SAL M12x1 CONNECTORS

Female socket SMT-version, with shroud



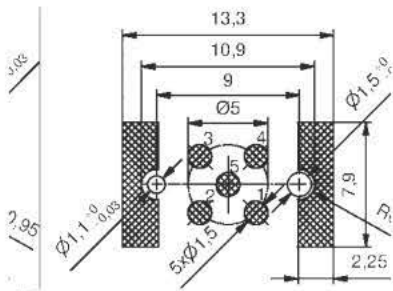
RoHS compliant

## TECHNICAL DATA

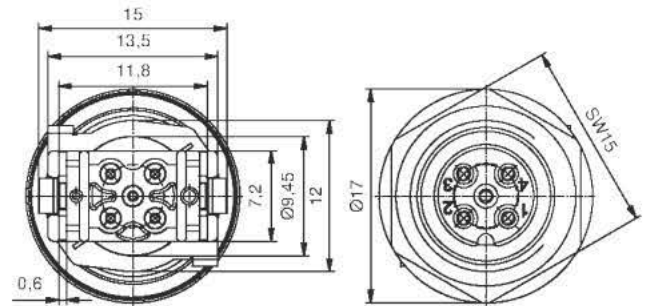
Rated voltage	4-pos	5-pos
	250V	60V
Current rating	4A at +40°C	
Pollution degree	3 / 2	
Insulation resistance	≥ 100 MΩ	
Degree of protection	IP67 in mated condition	
Temperature range	-25°C to +95°C	
Mating cycles	≥ 100	

## PRODUCT DRAWING

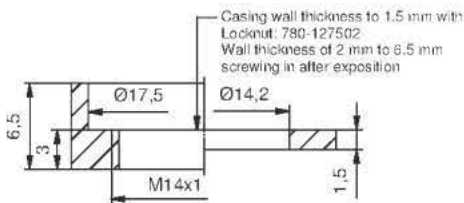
### Layout proposal



### Dimension

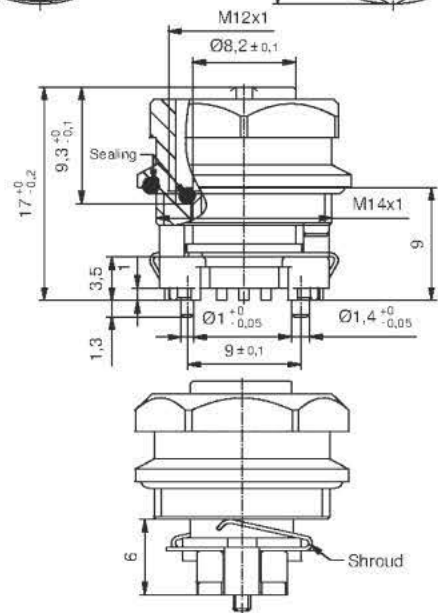


### Assembly dimensions



Coplanarity of all contacts and soldering sheets max 0,1mm

Insulating body module suitable for reflow soldering max. 60s / 250°C

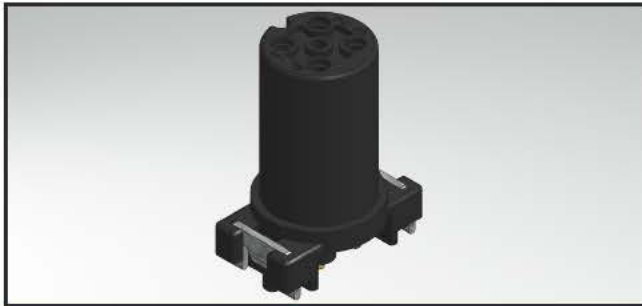


## ORDER DATA

Description	4-pos Part-no.	Description	5-pos Part-no.
SAL-12S-FK4-X9 / 14 / SMT	43-01854	SAL-12S-FK5-X9 / 14 / SMT	43-01855

# SAL M12x1 CONNECTORS

Insulating body SMT-version, suitable for reflow soldering max. 60s/250°C



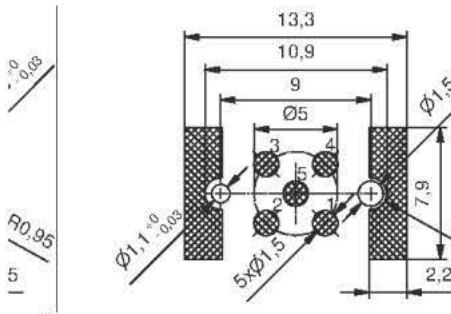
RoHS compliant

## TECHNICAL DATA

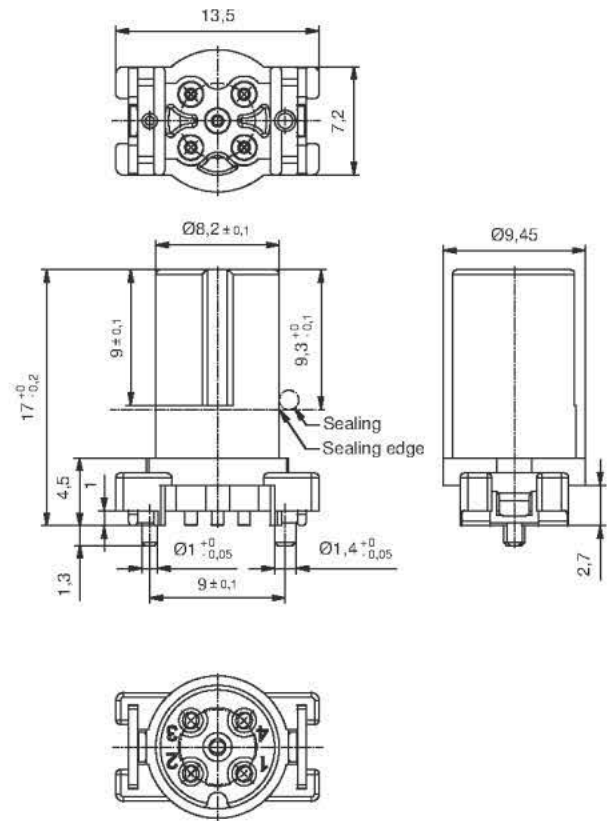
Rated voltage	4-pos	5-pos
	250V	60V
Current rating	4A at +40°C	
Pollution degree	3 / 2	
Insulation resistance	≥ 100 MΩ	
Temperature range	-25°C to +95°C	
Mating cycles	≥ 100	

## PRODUCT DRAWING

Pin layout PCB



Dimension

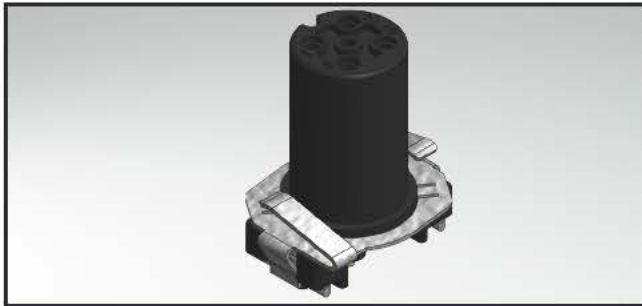


## ORDER DATA

Description	4-pos Part-no.	Description	5-pos Part-no.	
SAL-12-K4-X9/SMT	43-01848	SAL-12-K5-X9/SMT	43-01849	with shielded connection

# SAL M12x1 CONNECTORS

Insulating body SMT-version, with shroud, suitable for reflow soldering max. 60s/250°C



RoHS compliant

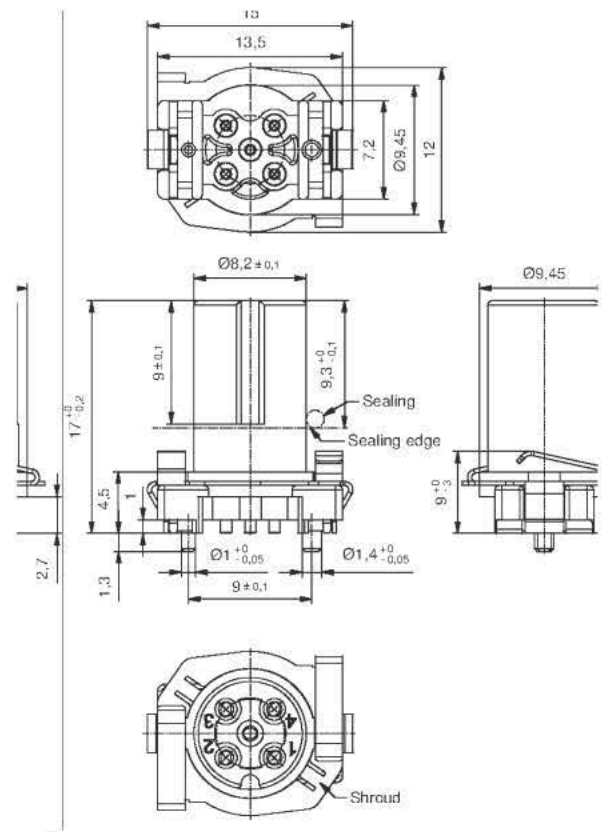
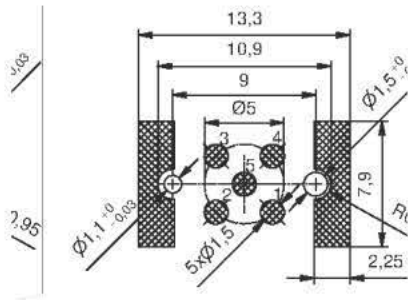
### TECHNICAL DATA

Rated voltage	4-pos	5-pos
	250V	60V
Current rating	4A at +40°C	
Pollution degree	3 / 2	
Insulation resistance	≥ 100 MΩ	
Temperature range	-25°C to +95°C	
Mating cycles	≥ 100	

### PRODUCT DRAWING

Pin layout PCB

Dimension



### ORDER DATA

Description	4-pos Part-no.	Description	5-pos Part-no.	
SAL-12S-K4-X9/SMT	43-01850	SAL-12S-K5-X9/SMT	43-01851	with shielded connection

SECTION 4

# PANEL PLUGS

---





# SAL M8x1/Ø8MM PANEL PLUG/FEMALE PANEL

## Nomenclature

**S A L - 8 - E S T V M 3 - P**

**SAL**  
Sensor Actor Line

**Installation size**  
8 = M8x1/Ø8mm

**Coding**  
= A-coding  
S = A-coding shielded

**Building**  
E = Panel Plug/Female Panel

**Configuration**  
K = Female connector  
S = Male connector

**Contact carrier**  
= Standard  
T = Translucent

**Building**  
P = Plastic  
M = Semimetal  
VM = Fullmetal

**Number of poles**  
3 = 3-pos  
4 = 4-pos

**Type of connection**  
L = Soldering version  
P = Printing version

# SAL M8x1/Ø8MM PANEL PLUG/FEMALE PANEL

## Productspecification

<b>Basic material</b>	
Contact	CuZn
Contact plating	Nickel-plated, gold-plated
Contact carrier	PA GF, UL 94
Sealing	NBR
Socket housing	CuZn, nickel-plated
Shroud	CuZn, nickel-plated

<b>Technical Data</b>	
Information on the following pages are basing on below mentioned IEC-standards.	
Rated voltage	IEC 61076-2-104
Current rating	IEC 61076-2-104
Insulation resistance	IEC 60512
Pollution degree	IEC 60664-1
Degree of protection	IEC 60529
Temperature range	IEC 60664-1
Mating cycles	IEC 60512-9a

Technical subject to change without notice.

# SAL M8x1/Ø8MM PANEL PLUG/FEMALE PANEL

## Nomenclature

**S A L - 1 2 - E S O 4 - P**

**SAL**  
Sensor Actor Line

**Installation size**  
12 = M12x1

**Coding**  
= A-coding

**Building**  
E = Panel Plug

**Configuration**  
S = Male connector

**Contact carrier**  
= Standard  
T = Translucent

**Assembly**  
= with sealing  
O = without sealing

**Number of poles**  
4 = 4-pos  
5 = 5-pos  
8 = 8-pos

**Type of connection**  
L = Soldering version  
P = Printing version

# SAL M8x1/Ø8MM PANEL PLUG/FEMALE PANEL

## Productspecification

<b>Basic material</b>	
Contact	CuZn
Contact plating	Nickel plated, gold-plated
Contact carrier	PA GF, UL 94
Sealing	FPM
<b>Technical Data</b>	
Information on the following pages are basing on below mentioned IEC-standards.	
Rated voltage	IEC 61076-2-101
Current rating	IEC 61076-2-101
Insulation resistance	IEC 60512
Pollution degree	IEC 60664-1
Degree of protection	IEC 60529
Temperature range	IEC 60664-1
Mating cycles	IEC 60512-9a

Technical subject to change without notice.

# SAL Ø8MM CONNECTORS

Panel Plugs plastic, snap-in, soldering version



RoHS compliant

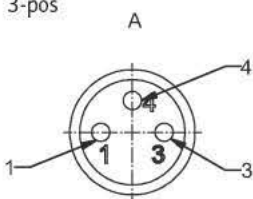
## TECHNICAL DATA

Rated voltage	3-pos	4-pos
	60V	30V
Current rating	3A at +40°C	
Pollution degree	3 / 2	
Insulation resistance	≥ 100 MΩ	
Degree of protection	IP67 in mated condition	
Temperature range	-30°C to +85°C	
Mating cycles	≥100	

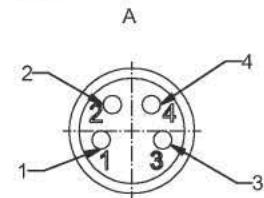
## PRODUCT DRAWING

### Pin Configuration

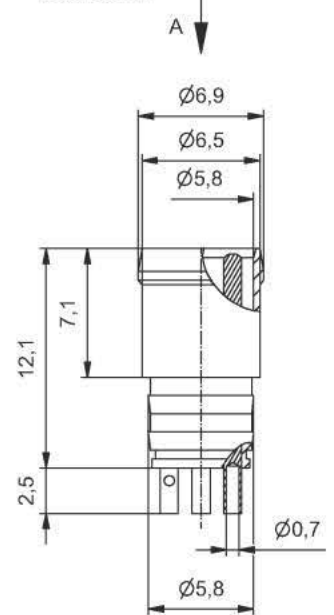
3-pos



4-pos



### Dimension



Internal dimension tube

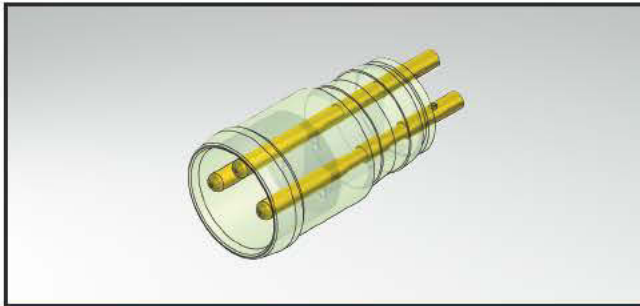


## ORDER DATA

Description	3-pos Part-no.	Description	4-pos Part-no.
SAL-8-ESP3-L	42-01004	SAL-8-ESP4-L	42-01006

# SAL Ø8MM CONNECTORS

Panel Plugs plastic, snap-in, soldering version, transparent



RoHS compliant

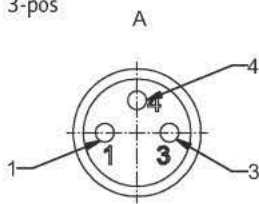
## TECHNICAL DATA

Rated voltage	3-pos	4-pos
	60V	30V
Current rating	3A at +40°C	
Pollution degree	3 / 2	
Insulation resistance	≥ 100 MΩ	
Degree of protection	IP67 in mated condition	
Temperature range	-30°C to +85°C	
Mating cycles	≥ 100	

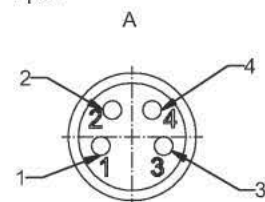
## PRODUCT DRAWING

### Pin Configuration

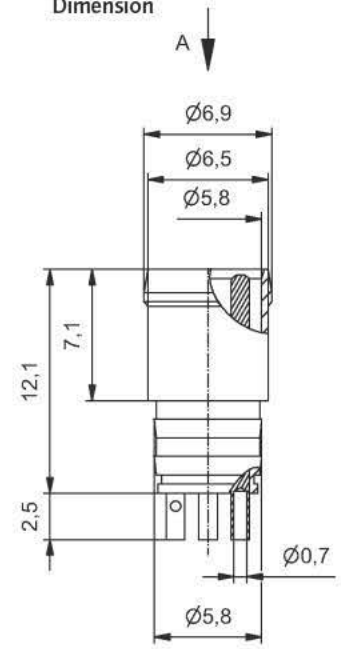
3-pos



4-pos



### Dimension



Internal dimension tube

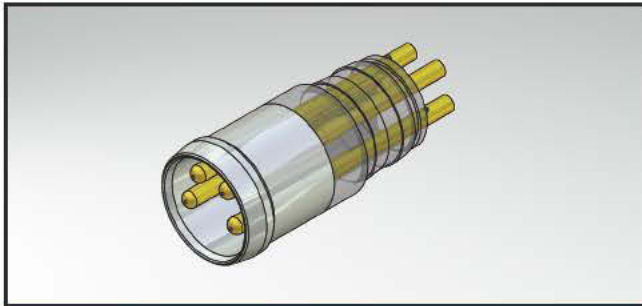


## ORDER DATA

Description	3-pos Part-no.	Description	4-pos Part-no.
SAL-8-ESTP3-L	42-01005	SAL-8-ESTP4-L	42-01007

# SAL Ø8MM CONNECTORS

Panel Plugs semimetal, snap-in, soldering version



RoHS compliant

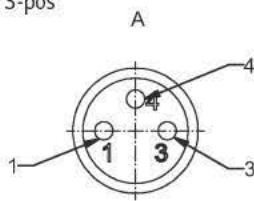
## TECHNICAL DATA

Rated voltage	3-pos	4-pos
	60V	30V
Current rating	3A at +40°C	
Pollution degree	3 / 2	
Insulation resistance	≥ 100 MΩ	
Degree of protection	IP67 in mated condition	
Temperature range	-30°C to +85°C	
Mating cycles	≥ 100	

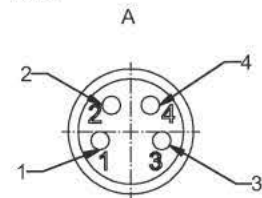
## PRODUCT DRAWING

### Pin Configuration

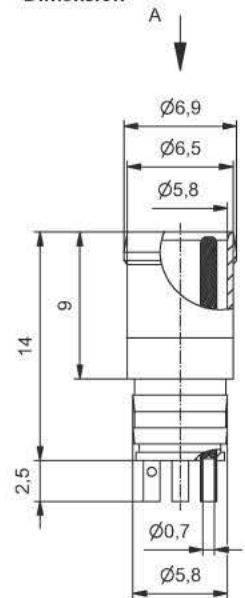
3-pos



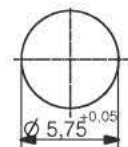
4-pos



### Dimension



Internal dimension tube



## ORDER DATA

Description	3-pos Part-no.	Description	4-pos Part-no.
SAL-8-ESTM3-L	42-01002	SAL-8-ESTM4-L	42-01003

# SAL M8x1 / Ø8MM CONNECTORS

Panel Plugs fullmetal, screwable/snap-in, soldering version



RoHS compliant

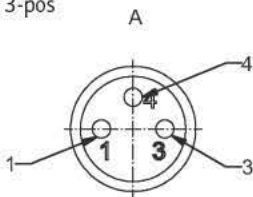
### TECHNICAL DATA

Rated voltage	3-pos	4-pos
	60V	30V
Current rating	3A at +40°C	
Pollution degree	3 / 2	
Insulation resistance	≥ 100 MΩ	
Degree of protection	IP67 in mated condition	
Temperature range	-30°C to +85°C	
Mating cycles	≥ 100	

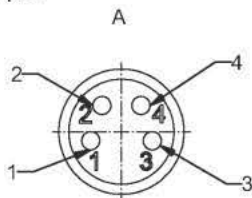
### PRODUCT DRAWING

#### Pin Configuration

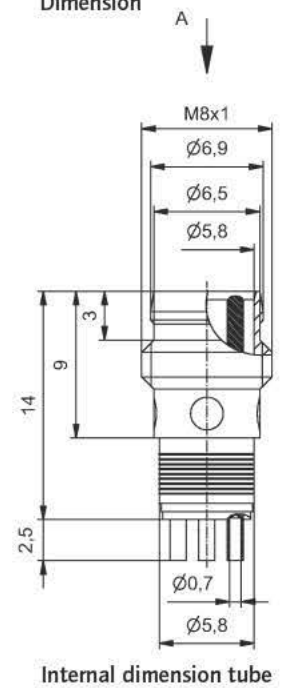
3-pos



4-pos



#### Dimension

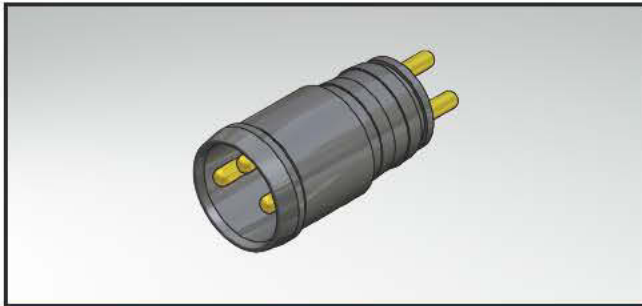


### ORDER DATA

Description	3-pos Part-no.	Description	4-pos Part-no.
SAL-8-ESTVM3-L	42-01008	SAL-8-ESTVM4-L	42-01009

# SAL Ø8MM CONNECTORS

Panel Plugs plastic, snap-in, printing version



RoHS compliant

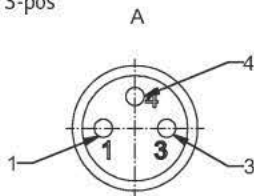
## TECHNICAL DATA

Rated voltage	3-pos	4-pos
	60V	30V
Current rating	3A at +40°C	
Pollution degree	3 / 2	
Insulation resistance	≥ 100 MΩ	
Degree of protection	IP67 in mated condition	
Temperature range	-30°C to +85°C	
Mating cycles	≥ 100	

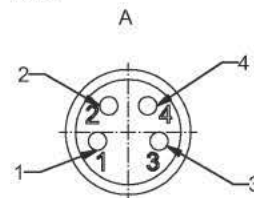
## PRODUCT DRAWING

### Pin Configuration

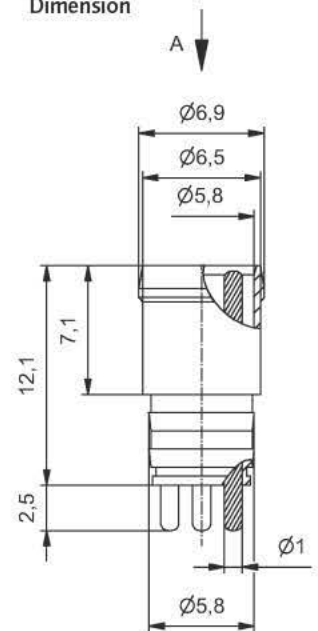
3-pos



4-pos



### Dimension



Internal dimension tube

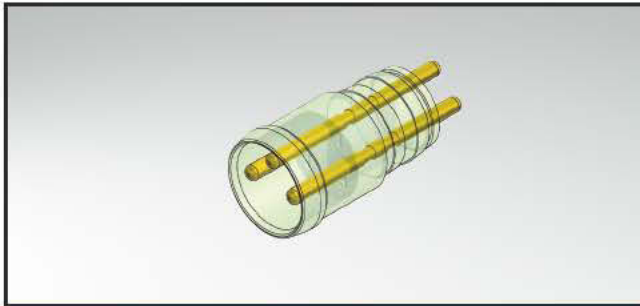


## ORDER DATA

Description	3-pos Part-no.	Description	4-pos Part-no.
SAL-8-ESP3-P	42-01012	SAL-8-ESP4-P	42-01014

# SAL Ø8MM CONNECTORS

Panel Plugs plastic, snap-in, printing version, transparent



RoHS compliant

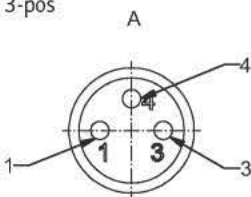
## TECHNICAL DATA

Rated voltage	3-pos	4-pos
	60V	30V
Current rating	3A at +40°C	
Pollution degree	3 / 2	
Insulation resistance	≥ 100 MΩ	
Degree of protection	IP67 in mated condition	
Temperature range	-30°C to +85°C	
Mating cycles	≥ 100	

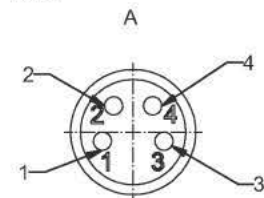
## PRODUCT DRAWING

### Pin Configuration

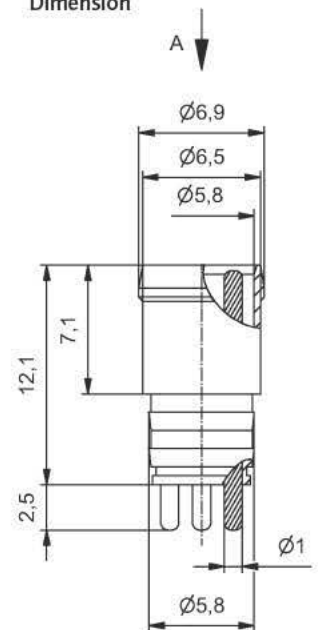
3-pos



4-pos



### Dimension



Internal dimension tube

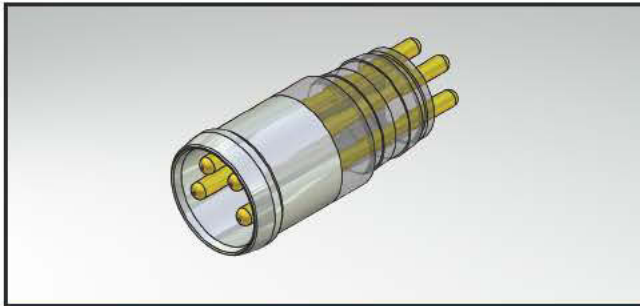


## ORDER DATA

Description	3-pos Part-no.	Description	4-pos Part-no.
SAL-8-ESTP3-P	42-01013	SAL-8-ESTP4-P	42-01015

# SAL Ø8MM CONNECTORS

Panel Plugs semimetal, snap-in, printing version



RoHS compliant

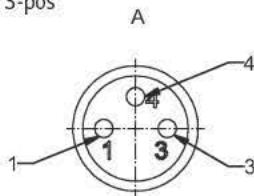
## TECHNICAL DATA

Rated voltage	3-pos	4-pos
	60V	30V
Current rating	3A at +40°C	
Pollution degree	3 / 2	
Insulation resistance	≥ 100 MΩ	
Degree of protection	IP67 in mated condition	
Temperature range	-30°C to +85°C	
Mating cycles	≥ 100	

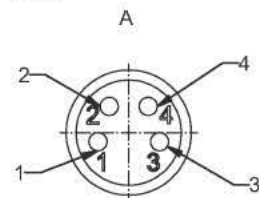
## PRODUCT DRAWING

### Pin Configuration

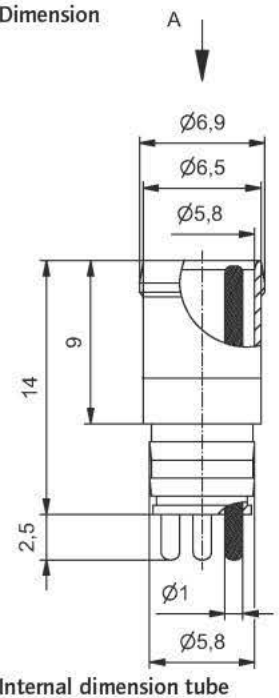
3-pos



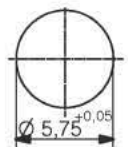
4-pos



Dimension



Internal dimension tube

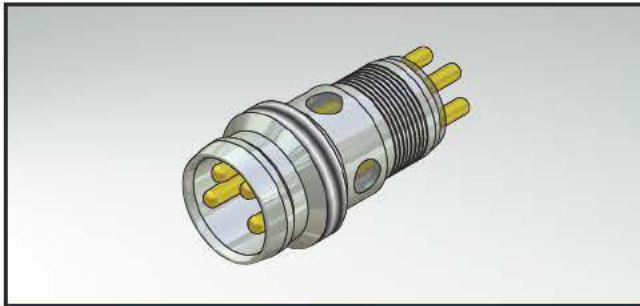


## ORDER DATA

Description	3-pos Part-no.	Description	4-pos Part-no.
SAL-8-ESTM3-P	42-01010	SAL-8-ESTM4-P	42-01011

# SAL M8x1 / Ø8MM CONNECTORS

Panel Plugs fullmetal, screwable/snap-in, printing version



RoHS compliant

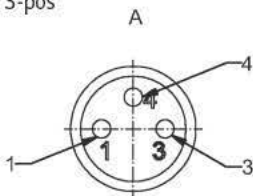
### TECHNICAL DATA

Rated voltage	3-pos	4-pos
	60V	30V
Current rating	3A at +40°C	
Pollution degree	3 / 2	
Insulation resistance	≥ 100 MΩ	
Degree of protection	IP67 in mated condition	
Temperature range	-30°C to +85°C	
Mating cycles	≥ 100	

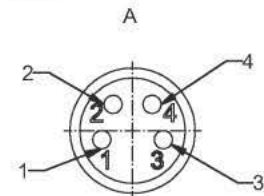
### PRODUCT DRAWING

#### Pin Configuration

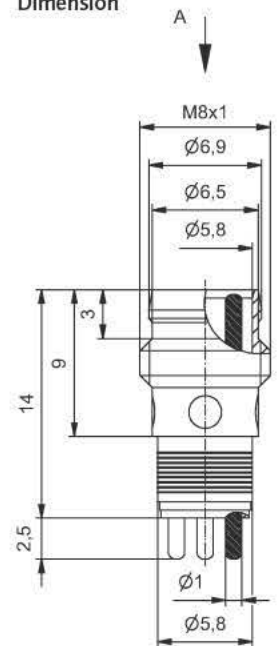
3-pos



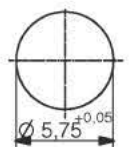
4-pos



#### Dimension



Internal dimension tube



### ORDER DATA

Description	3-pos Part-no.	Description	4-pos Part-no.
SAL-8-ESTVM3-P	42-01016	SAL-8-ESTVM4-P	42-01017

# SAL M8x1 CONNECTORS

Panel Plugs female panel, axial, print version, shielded



RoHS compliant

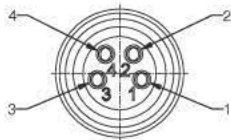
## TECHNICAL DATA

Rated voltage	4-pos 30V
Current rating	3A at +40°C
Pollution degree	3 / 2
Insulation resistance	>= 100 MΩ
Degree of protection	IP67 in mated condition
Temperature range	-30°C to +85°C
Mating cycles	>= 100

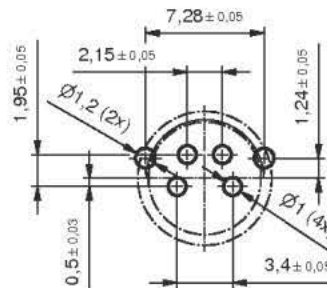
## PRODUCT DRAWING

### Pin Configuration

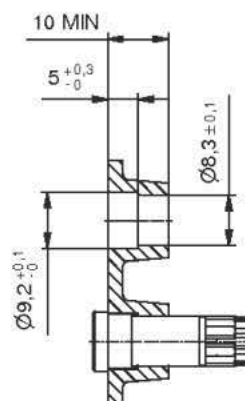
4-pos



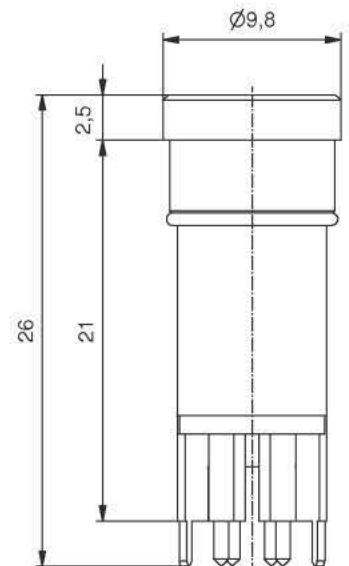
### Hole Pattern Printing Board



### Feedthrough



### Dimension

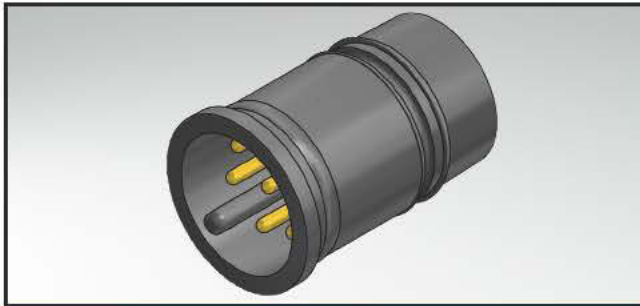


## ORDER DATA

Description	4-pos Part-no.
SAL-8S-EKVM4-P	42-01038

# SAL M12x1 CONNECTORS

Panel Plugs plastic, black, soldering version



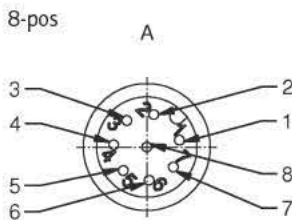
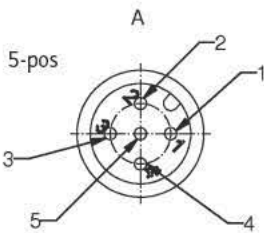
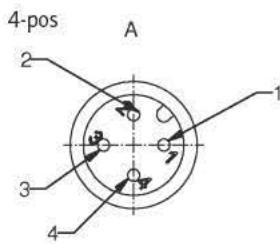
RoHS compliant

### TECHNICAL DATA

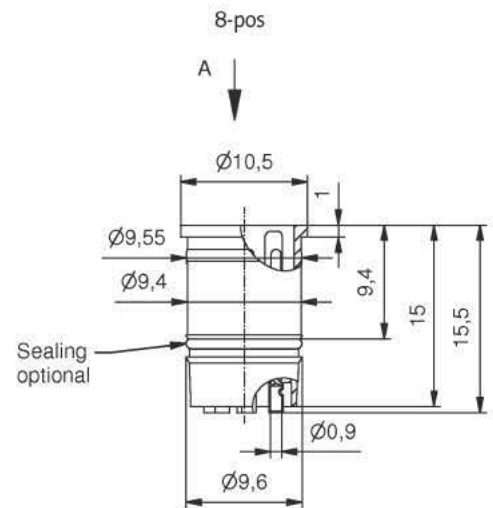
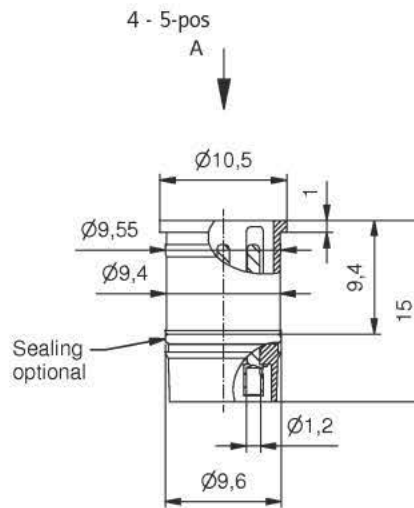
Rated voltage	4-pos	5-pos	8-pos
	250V	60V	30V
Current rating	4A at +40°C (4- and 5-pos)		
	2A at +40°C (8-pos)		
Pollution degree	3 / 2		
Insulation resistance	≥ 100 MΩ		
Degree of protection	IP67 in mated condition		
Temperature range	-30°C to +105°C		
Mating cycles	≥ 100		

### PRODUCT DRAWING

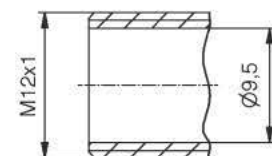
#### Pin Configuration



#### Dimension



#### Internal dimension tube

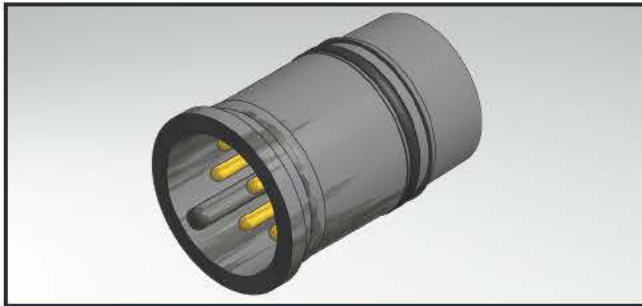


### ORDER DATA

Description	4-pos Part-no.	Description	5-pos Part-no.	Description	8-pos Part-no.
SAL-12-ES4-L	43-01336	SAL-12-ES5.1-L	43-01337	SAL-12-ES8-L	43-01637

# SAL M12x1 CONNECTORS

Panel Plugs plastic, black, soldering version, sealing



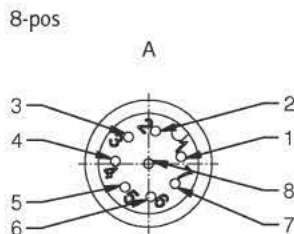
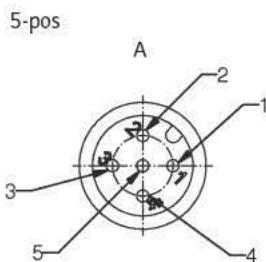
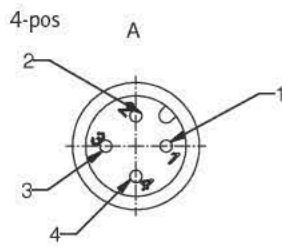
RoHS compliant

## TECHNICAL DATA

Rated voltage	4-pos	5-pos	8-pos
	250V	60V	30V
Current rating	4A at +40°C (4- and 5-pos)		
	2A at +40°C (8-pos)		
Pollution degree	3 / 2		
Insulation resistance	≥ 100 MΩ		
Degree of protection	IP67 in mated condition		
Temperature range	-30°C to +105°C		
Mating cycles	≥ 100		

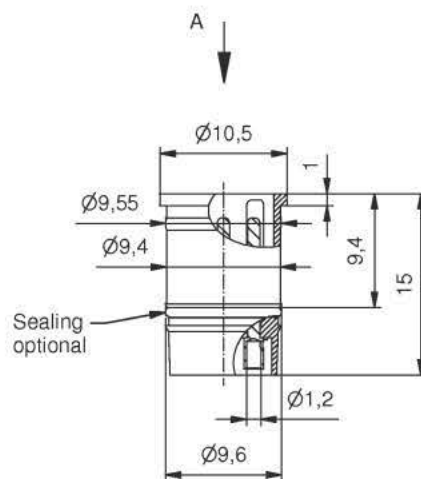
## PRODUCT DRAWING

### Pin Configuration

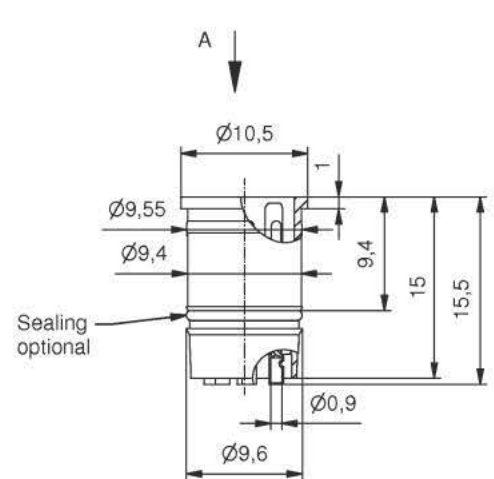


### Dimension

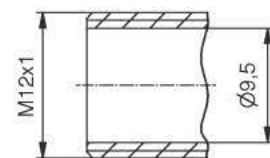
4 - 5-pos



8-pos



### Internal dimension tube

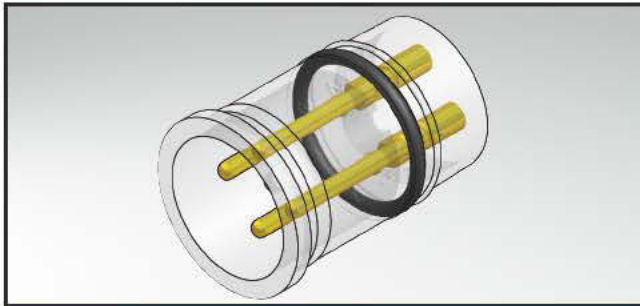


## ORDER DATA

Description	4-pos Part-no.	Description	5-pos Part-no.	Description	8-pos Part-no.
SAL-12-ES04-L	43-01338	SAL-12-ES05.1-L	43-01339	SAL-12-ES08-L	43-01638

# SAL M12x1 CONNECTORS

Panel Plugs soldering version, transparent, sealing, gap for LED



RoHS compliant

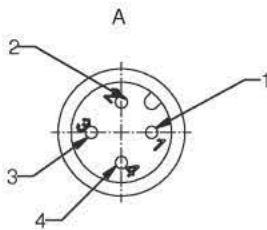
## TECHNICAL DATA

Rated voltage	4-pos 250V
Current rating	4A at +40°C
Pollution degree	3 / 2
Insulation resistance	>= 100 MΩ
Degree of protection	IP67 in mated condition
Temperature range	-30°C to +90°C
Mating cycles	>= 100

## PRODUCT DRAWING

### Pin Configuration

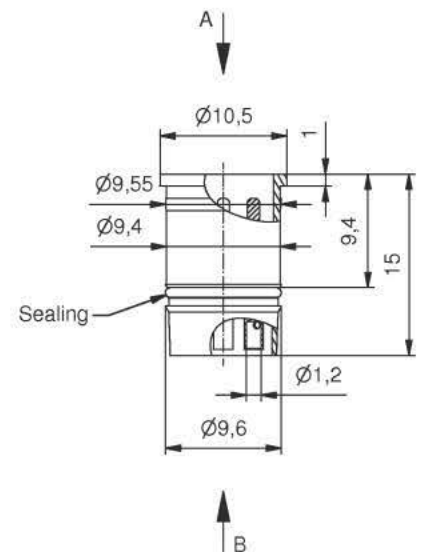
4-pos



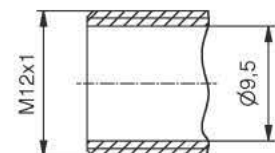
### Gap for LED



### Dimension



### Internal dimension tube

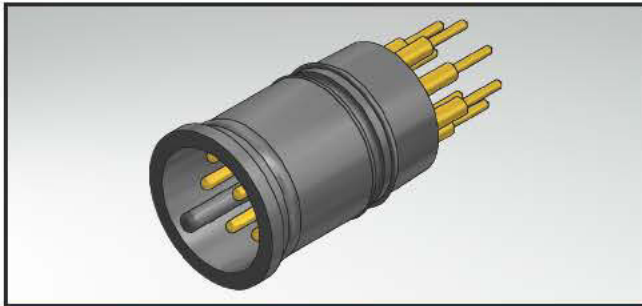


## ORDER DATA

Description	4-pos Part-no.
SAL-12-EST04-L	43-01340
SAL-12-EST4-L	43-01682

# SAL M12x1 CONNECTORS

Panel Plugs plastic, black, print version



RoHS compliant

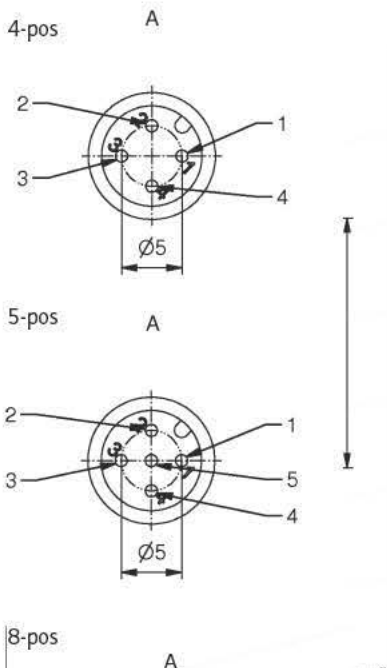
## TECHNICAL DATA

Rated voltage	4-pos	5-pos	8-pos
	250V	60V	30V
Current rating	4A at +40°C (4- and 5-pos)		
	2A at +40°C (8-pos)		
Pollution degree	3 / 2		
Insulation resistance	≥ 100 MΩ		
Degree of protection	IP67 in mated condition		
Temperature range	-30°C to +105°C		
Mating cycles	≥ 100		

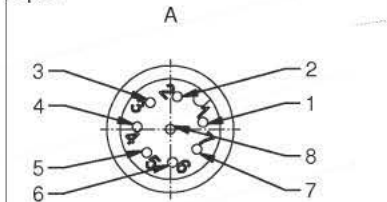
## PRODUCT DRAWING

### Pin Configuration

4-pos

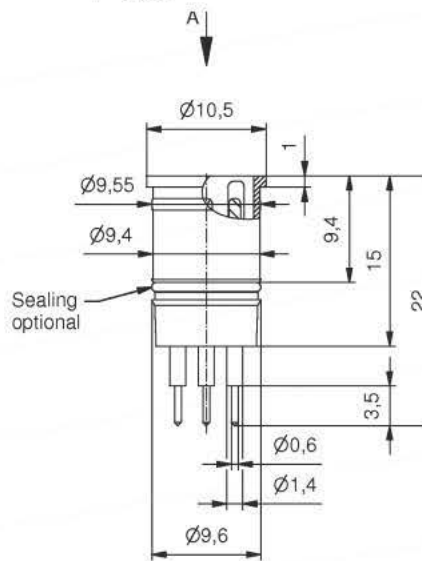


8-pos

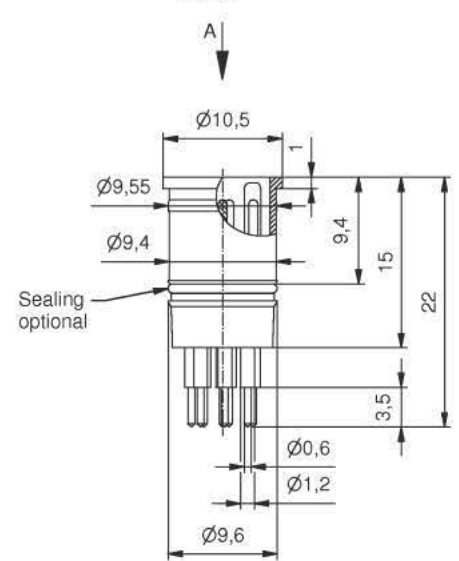


### Dimension

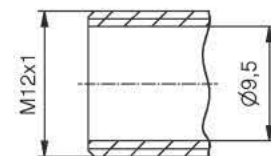
4 - 5-pos



8-pos



Internal dimension tube

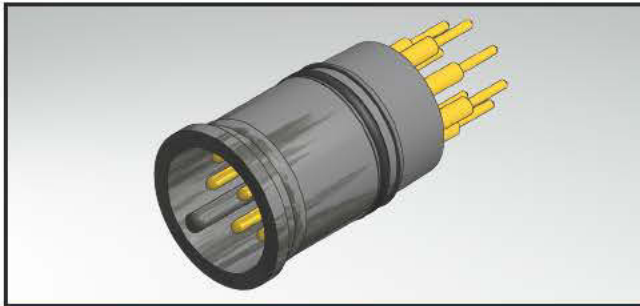


## ORDER DATA

Description	4-pos Part-no.	Description	5-pos Part-no.	Description	8-pos Part-no.
SAL-12-ES4-P	43-01683	SAL-12-ES5.1-P	43-01688	SAL-12-ES8-P	43-01635

# SAL M12x1 CONNECTORS

Panel Plugs plastic, black, print version, sealing



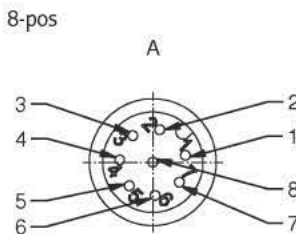
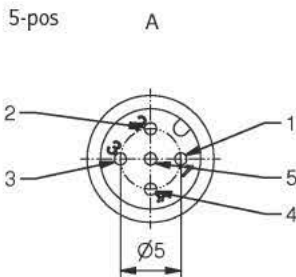
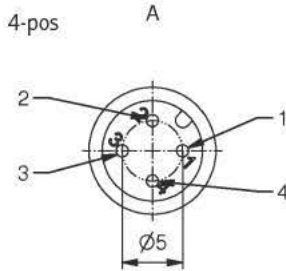
RoHS compliant

### TECHNICAL DATA

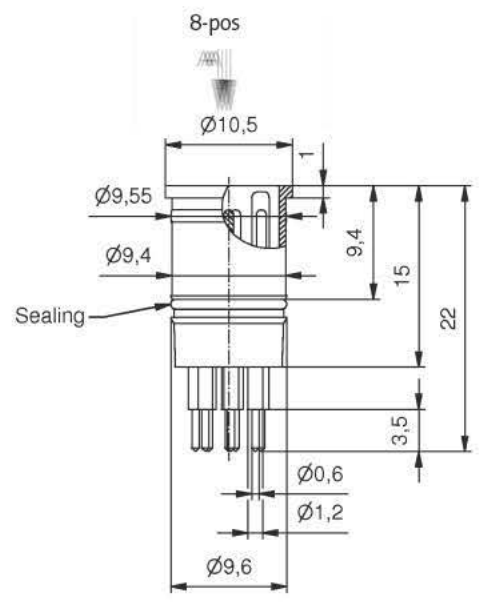
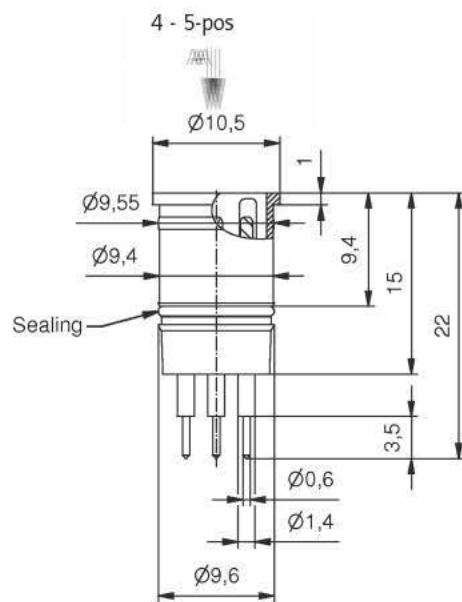
Rated voltage	4-pos	5-pos	8-pos
	250V	60V	30V
Current rating	4A at +40°C (4- and 5-pos)		
	2A at +40°C (8-pos)		
Pollution degree	3 / 2		
Insulation resistance	≥ 100 MΩ		
Degree of protection	IP67 in mated condition		
Temperature range	-30°C to +105°C		
Mating cycles	≥ 100		

### PRODUCT DRAWING

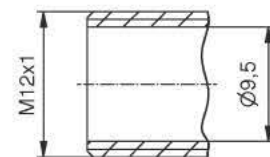
#### Pin Configuration



#### Dimension



Internal dimension tube

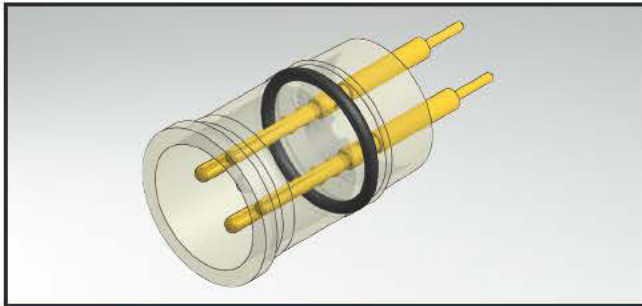


### ORDER DATA

Description	4-pos Part-no.	Description	5-pos Part-no.	Description	8-pos Part-no.
SAL-12-ES04-P	43-01699	SAL-12-ES05.1-P	43-01700	SAL-12-ES08-P	43-01701

# SAL M12x1 CONNECTORS

Panel Plugs print version, transparent, sealing, gap for LED



RoHS compliant

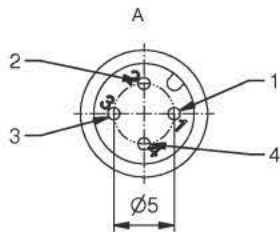
## TECHNICAL DATA

Rated voltage	4-pos 250V
Current rating	4A at +40°C
Pollution degree	3 / 2
Insulation resistance	>= 100 MΩ
Degree of protection	IP67 in mated condition
Temperature range	-30°C to +90°C
Mating cycles	>= 100

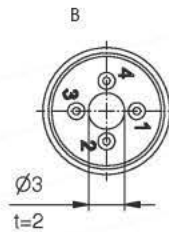
## PRODUCT DRAWING

### Pin Configuration

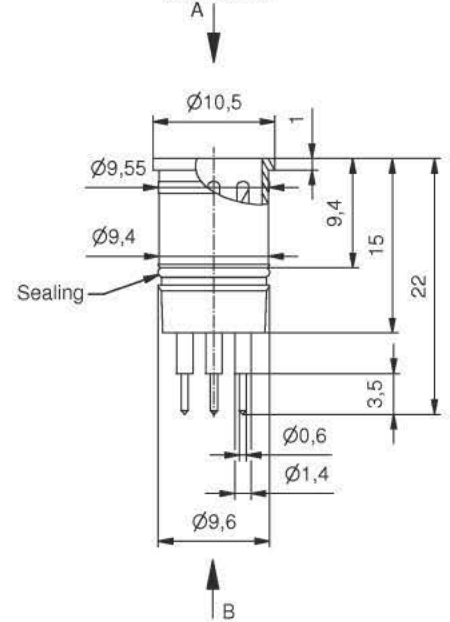
4-pos



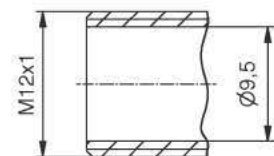
### Gap for LED



### Dimension



### Internal dimension tube



## ORDER DATA

Description	4-pos Part-no.
SAL-12-EST4-P	43-01636
SAL-12-EST04-P	43-01681

SECTION 5

# SPECIAL APPLICATIONS

---





# SAL M8x1/M12x1 CONNECTORS OVERERMOULDED

## HIGH TEMPERATURE/FOOD & BEVERAGE

### Nomenclature

**S A L - H T - 1 2 - R K W 4 - 2 L - 3 / P 1**

**SAL**  
Sensor Actor Line

**Building**

HT = Higher temperature resistance  
FB = Food & Beverage

**Installation size**

8 = M8x1  
12 = M12x1

**Coding**

= A-coding

**Building**

R = Circular connector

**Configuration**

K = Female connector  
S = Male connector

**Building**

= Axial  
W = Angled

**Number of poles**

3 = 3-pos  
4 = 4-pos  
5 = 5-pos

**LED-display**

2L = 2 LED-display  
3L = 3 LED-display

**Cable length**

XX = Length [m]

**Cable quality**

P1 = PP, orange  
S1 = TPE, black

# SAL M8x1/M12x1 CONNECTORS OVERERMOULDED

## HIGH TEMPERATURE/FOOD & BEVERAGE

### Productspecification

Basic material	
Contact	HT: CuZn, CuBe / FB: CuZn
Contact plating	Nickel-plated, gold-plated
Contact carrier	HT: PBT GF, UL 94   FB: PP GF, UL 94
Moulding body	Thermoplastic elastomere
Sealing	FPM
Coupling nut/-screw	HT: CuZn, nickel-plated   FB: 1.4404 stainless steel

Technical Data		
Information on the following pages are basing on below mentioned IEC-standards.		
	M8	M12
Rated voltage	IEC 61076-2-104	IEC 61076-2-101
Current rating	IEC 61076-2-104	IEC 61076-2-101
Insulation resistance	IEC 60512-2	IEC 60512-2
Pollution degree	IEC 60664-1	IEC 60664-1
Degree of protection	FB: DIN 40050-9	HT: DIN 40050-9   FB: DIN 40050-9
Temperature range	IEC 60664-1	IEC 60664-1
Mating cycles	IEC 60512-9a	IEC 60512-9a

Recommended torque M8: 0,4 Nm      FB

Recommended torque M12: 0,6 Nm      FB

Technical subject to change without notice.

## SAL M8x1/M12x1 SOCKETS HIGH TEMPERATURE/FOOD &amp; BEVERAGE

## Nomenclature

S A L - H T - 1 2 - F K P 4 - 05 - 9

**SAL**  
Sensor Actor Line

**Building**

HT = Higher temperature resistance  
FB = Food & Beverage

**Installation size**

8 = M8x1  
12 = M12x1

**Coding**

= A-coding

**Building**

F = Socket

**Configuration**

K = Female connector  
S = Male connector

**Assembly**

= Frontmounting  
P = Positioning possible, frontmounting  
H = Backmounting

**Number of poles**

3 = 3-pos  
4 = 4-pos  
5 = 5-pos

**Type of Connection**

XX = Length of wire [m]

**Screw connection**

= M8x0,5 by M8x1  
= M16x1,5 by M12x1  
9 = PG9

# SAL M8x1/M12x1 SOCKETS HIGH TEMPERATURE/FOOD & BEVERAGE

## Products specification

Basic material	
Contact	CuZn
Contact plating	Nickel plated, gold-plated
Contact carrier	HT: PBT GF, UL 94   FB: PP GF, UL 94
Sealing	FPM
Counter nut	HT: CuZn, nickel-plated   FB: 1.4404 stainless steel
Socket housing	HT: CuZn, nickel-plated   FB: 1.4404 stainless steel
Grouting	Polyurethane-resin, UL 94

### Technical Data

Information on the following pages are basing on below mentioned IEC-standards.

	M8	M12
Rated voltage	IEC 61076-2-104	IEC 61076-2-101
Current rating	IEC 61076-2-104	IEC 61076-2-101
Insulation resistance	IEC 60512	IEC 60512
Pollution degree	IEC 60664-1	IEC 60664-1
Degree of protection	FB: DIN 40050-9	HT: DIN 60529   FB: DIN 40050-9
Temperature range	IEC 60664-1	IEC 60664-1
Mating cycles	IEC 60512-9a	IEC 60512-9a

Recommended torque M8: 0,6-0,8 Nm (FB)

Recommended torque M12: 1-1,2 Nm (FB)

Technical subject to change without notice.

# SAL M12x1 SENSOR-/ACTUATORBOX FOOD & BEVERAGE

## Nomenclature

S A L - F B - 1 2 - 8 F K 5 - L - 5 / A 2

**SAL**  
Sensor Actor Line

**Building**  
FB = Food & Beverage

**Installation size**  
12 = M12x1

**Coding**  
= A-coding

**Quantity I/O-ports**  
4 = 4-fold Junction box  
8 = 8-fold Junction box

**Building**  
F = Socket

**Configuration**  
K = Female connector

**Number of poles**  
5 = I/O-port 4-pos+ground

**LED-display**  
1L = 1 LED-display

**Cable length**  
5 = 5m  
10 = 10m

**Cable quality/Connection**  
= M23x1-connector  
A2 = PVC, black

# SAL M12x1 SENSOR-/ACTUATORBOX FOOD & BEVERAGE

## Productspecification

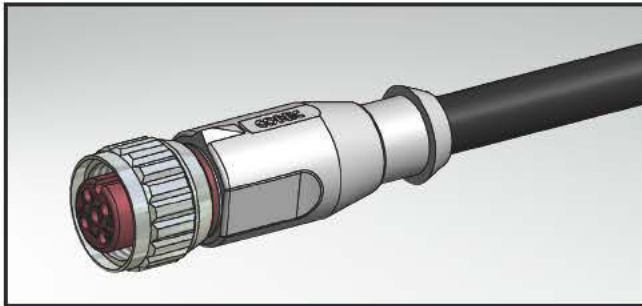
<b>Basic material</b>	
Contact	CuZn
Contact plating	Nickel-plated, gold-plated
Contact carrier	PBT GF, UL 94
Sealing	FPM
Housing	1.4404 stainless steel
Grouting	Polyurethane-resin, UL 94

<b>Technical Data</b>	
Information on the following pages are basing on below mentioned IEC-standards.	
Rated voltage	IEC 61076-2-101
Current rating	IEC 61076-2-101
Insulation resistance	IEC 60512
Pollution degree	IEC 60664-1
Degree of protection	IEC 60529
Temperature range	IEC 60664-1
Mating cycles	IEC 60512-9a

Technical subject to change without notice.

# SAL M12x1 CONNECTORS – HT TEMPERATURE RESISTANT 125 °C

Female Connector, axial



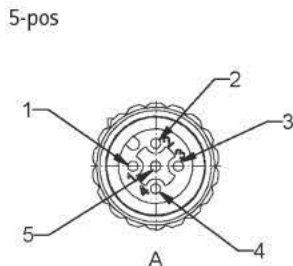
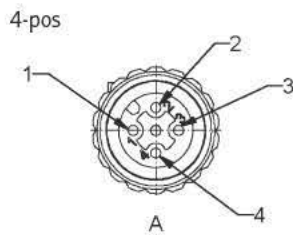
RoHS compliant

### TECHNICAL DATA

Rated voltage	4-pos	5-pos
	250V	60V
Current rating	4A at +40 °C	
Pollution degree	3 / 2	
Insulation resistance	≥ 100 MΩ	
Degree of protection	IP65 in mated condition	
Temperature range	+100 °C up to 30.000h	
	+125 °C up to 8.000h	
	+150 °C up to 2.000h	
Mating cycles	≥ 100	

### PRODUCT DRAWING

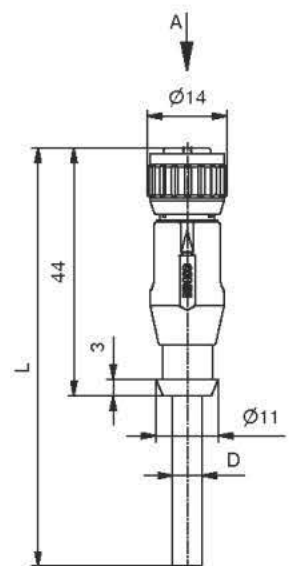
#### Pin Configuration



#### Contact Assignment

- 1) brown
- 2) white
- 3) blue
- 4) black
- 5) green-yellow

#### Dimension



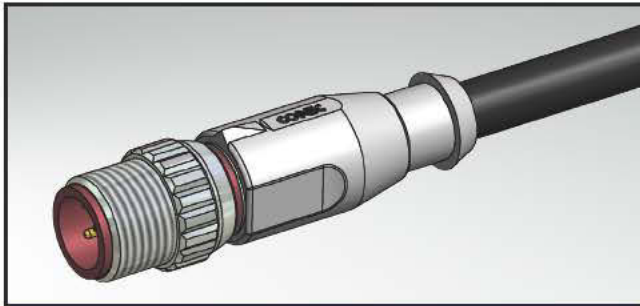
### ORDER DATA

Cable	Length/L	Description	4-pos Part-no.	Description	5-pos Part-no.
TPE black 0,34 mm <sup>2</sup>	2m	SAL-HT-12-RK4-2/S1	43-10480	SAL-HT-12-RK5-2/S1	43-10484
	3m	SAL-HT-12-RK4-3/S1	43-10481	SAL-HT-12-RK5-3/S1	43-10485
	5m	SAL-HT-12-RK4-5/S1	43-10482	SAL-HT-12-RK5-5/S1	43-10486
	10m	SAL-HT-12-RK4-10/S1	43-10483	SAL-HT-12-RK5-10/S1	43-10487

For custom length or quality levels contact factory

# SAL M12x1 CONNECTORS – HT TEMPERATURE RESISTANT 125°C

## Male Connector, axial



RoHS compliant

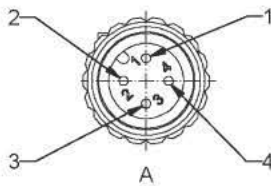
### TECHNICAL DATA

Rated voltage	4-pos	5-pos
	250V	60V
Current rating	4A at +40°C	
Pollution degree	3 / 2	
Insulation resistance	≥ 100 MΩ	
Degree of protection	IP65 in mated condition	
Temperature range	+100°C up to 30.000h	
	+125°C up to 8.000h	
	+150°C up to 2.000h	
Mating cycles	≥ 100	

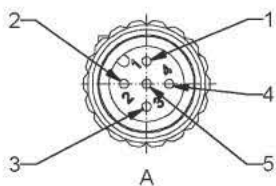
### PRODUCT DRAWING

#### Pin Configuration

4-pos



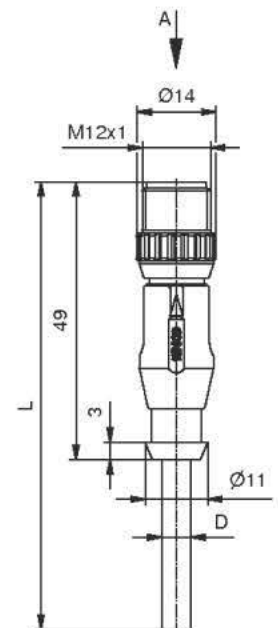
5-pos



#### Contact Assignment

1	brown
2	white
3	blue
4	black
5	green-yellow

#### Dimension



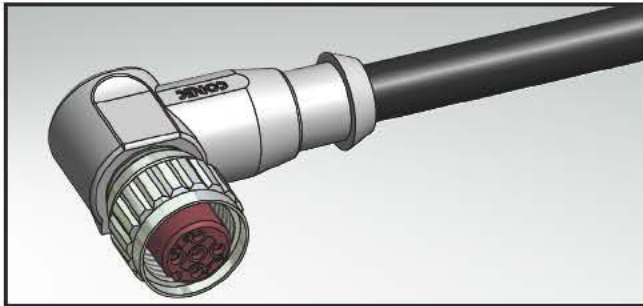
### ORDER DATA

Cable	Length/L	Description	4-pos Part-no.	Description	5-pos Part-no.
TPE black 0,34 mm <sup>2</sup>	2m	SAL-HT-12-RS4-2/S1	43-10488	SAL-HT-12-RS5-2/S1	43-10492
	3m	SAL-HT-12-RS4-3/S1	43-10489	SAL-HT-12-RS5-3/S1	43-10493
	5m	SAL-HT-12-RS4-5/S1	43-10490	SAL-HT-12-RS5-5/S1	43-10494
	10m	SAL-HT-12-RS4-10/S1	43-10491	SAL-HT-12-RS5-10/S1	43-10495

For custom length or quality levels contact factory

# SAL M12x1 CONNECTORS – HT TEMPERATURE RESISTANT 125°C

## Female Connector, angled



RoHS compliant

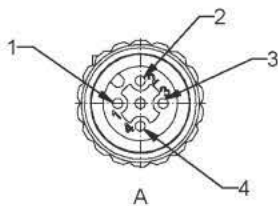
### TECHNICAL DATA

Rated voltage	4-pos	5-pos
	250V	60V
Current rating	4A at +40°C	
Pollution degree	3 / 2	
Insulation resistance	≥ 100 MΩ	
Degree of protection	IP65 in mated condition	
Temperature range	+100°C up to 30.000h	
	+125°C up to 8.000h	
	+150°C up to 2.000h	
Mating cycles	≥ 100	

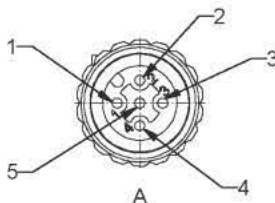
### PRODUCT DRAWING

#### Pin Configuration

4-pos



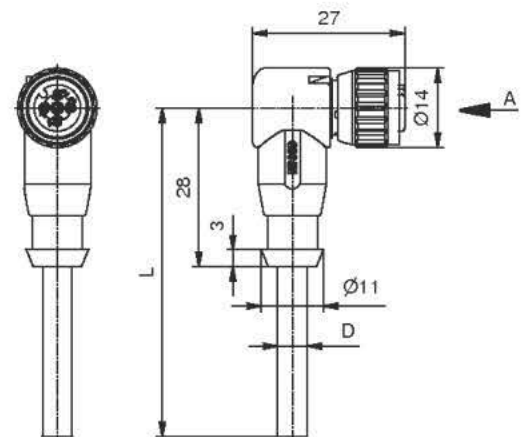
5-pos



#### Contact Assignment

- 1) brown
- 2) white
- 3) blue
- 4) black
- 5) green-yellow

#### Dimension



### ORDER DATA

Cable	Length/L	Description	4-pos Part-no.	Description	5-pos Part-no.
TPE black 0,34 mm <sup>2</sup>	2m	SAL-HT-12-RKW4-2/S1	43-10496	SAL-HT-12-RKW5-2/S1	43-10500
	3m	SAL-HT-12-RKW4-3/S1	43-10497	SAL-HT-12-RKW5-3/S1	43-10501
	5m	SAL-HT-12-RKW4-5/S1	43-10498	SAL-HT-12-RKW5-5/S1	43-10502
	10m	SAL-HT-12-RKW4-10/S1	43-10499	SAL-HT-12-RKW5-10/S1	43-10503

For custom length or quality levels contact factory

# SAL M12x1 CONNECTORS – HT TEMPERATURE RESISTANT 125°C

## Male Connector, angled



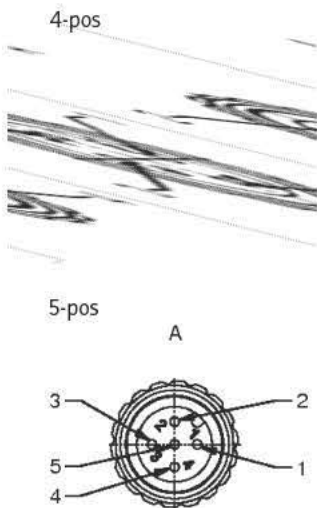
RoHS compliant

### TECHNICAL DATA

Rated voltage	4-pos	5-pos
	250V	60V
Current rating	4A at +40°C	
Pollution degree	3 / 2	
Insulation resistance	≥ 100 MΩ	
Degree of protection	IP65 in mated condition	
Temperature range	+100°C up to 30.000h	
	+125°C up to 8.000h	
	+150°C up to 2.000h	
Mating cycles	≥ 100	

### PRODUCT DRAWING

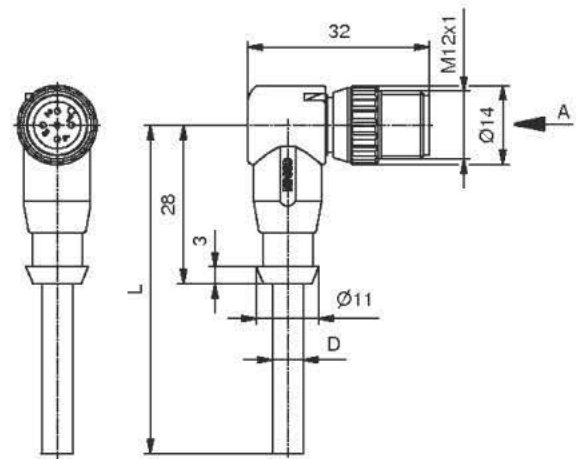
#### Pin Configuration



#### Contact Assignment

- 1 brown
- 2 white
- 3 blue
- 4 black
- 5 green-yellow

#### Dimension



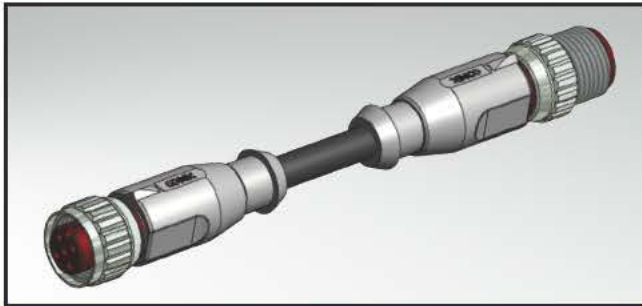
### ORDER DATA

Cable	Length/L	Description	4-pos Part-no.	Description	5-pos Part-no.
TPE black 0,34 mm <sup>2</sup>	2m	SAL-HT-12-RSW4-2/S1/A1090	43-14783	SAL-HT-12-RSW5-2/S1/A1090	43-14787
	3m	SAL-HT-12-RSW4-3/S1/A1090	43-14784	SAL-HT-12-RSW5-3/S1/A1090	43-14788
	5m	SAL-HT-12-RSW4-5/S1/A1090	43-14785	SAL-HT-12-RSW5-5/S1/A1090	43-14789
	10m	SAL-HT-12-RSW4-10/S1/A1090	43-14786	SAL-HT-12-RSW5-10/S1/A1090	43-14790

For custom length or quality levels contact factory

# SAL M12x1 CONNECTORS – HT TEMPERATURE RESISTANT 125°C

Connecting Cable Female Connector, axial – Male Connector, axial



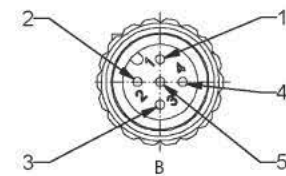
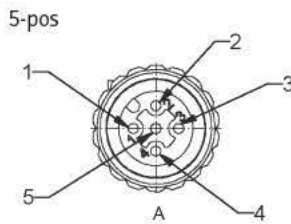
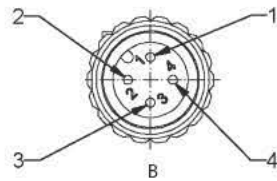
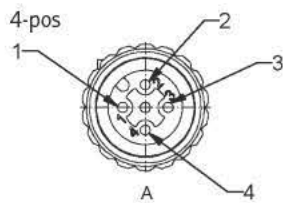
RoHS compliant

### TECHNICAL DATA

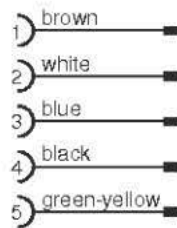
Rated voltage	4-pos	5-pos
	250V	60V
Current rating	4A at +40°C	
Pollution degree	3 / 2	
Insulation resistance	≥ 100 MΩ	
Degree of protection	IP65 in mated condition	
Temperature range	+100°C up to 30.000h	
	+125°C up to 8.000h	
	+150°C up to 2.000h	
Mating cycles	≥ 100	

### PRODUCT DRAWING

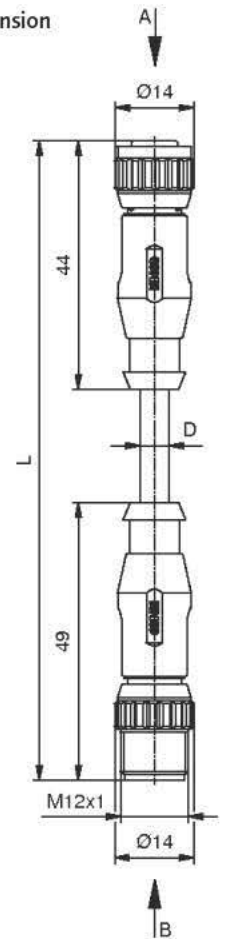
#### Pin Configuration



#### Contact Assignment



#### Dimension



### ORDER DATA

Cable	Length/L	Description	4-pos Part-no.	Description	5-pos Part-no.
TPE black 0,34 mm <sup>2</sup>	0,3m	SAL-HT-12-RK4-RS4-0,3/S1	43-10900	SAL-HT-12-RK5-RS5-0,3/S1	43-10904
	0,6m	SAL-HT-12-RK4-RS4-0,6/S1	43-10901	SAL-HT-12-RK5-RS5-0,6/S1	43-10905
	1,5m	SAL-HT-12-RK4-RS4-1,5/S1	43-10902	SAL-HT-12-RK5-RS5-1,5/S1	43-10906
	3m	SAL-HT-12-RK4-RS4-3/S1	43-10903	SAL-HT-12-RK5-RS5-3/S1	43-10907

For custom length or quality levels contact factory

# SAL M12x1 CONNECTORS – HT TEMPERATURE RESISTANT 125°C

Connecting Cable Female Connector, angled – Male Connector, axial



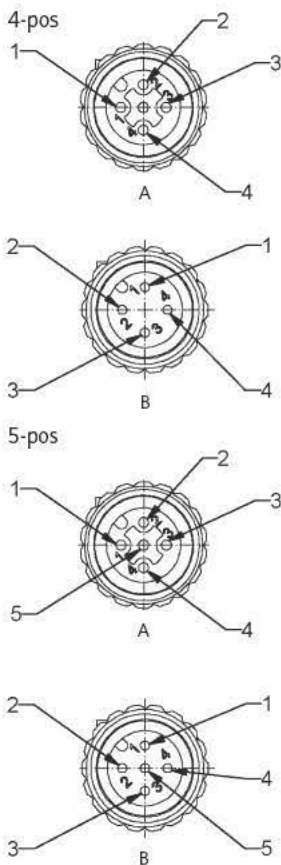
RoHS compliant

## TECHNICAL DATA

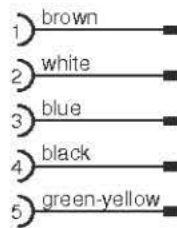
Rated voltage	4-pos	5-pos
	250V	60V
Current rating	4A at +40°C	
Pollution degree	3 / 2	
Insulation resistance	≥ 100 MΩ	
Degree of protection	IP65 in mated condition	
Temperature range	+100°C up to 30.000h	
	+125°C up to 8.000h	
	+150°C up to 2.000h	
Mating cycles	≥ 100	

## PRODUCT DRAWING

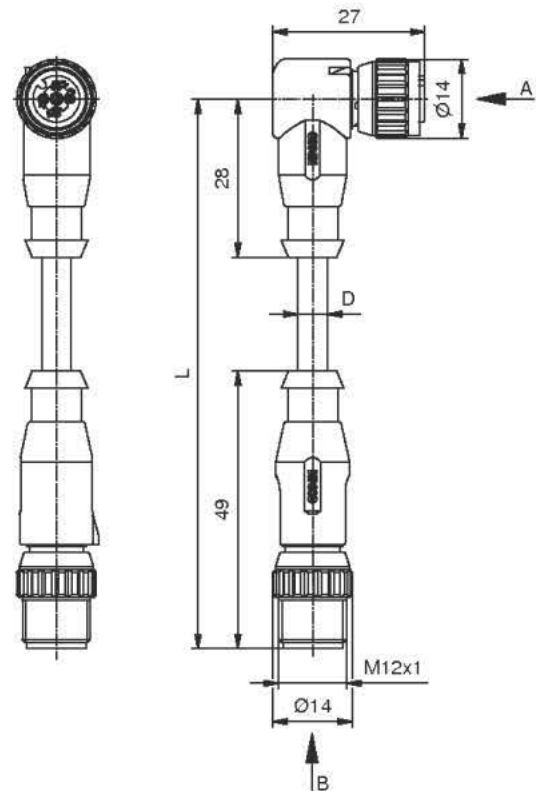
### Pin Configuration



### Contact Assignment



### Dimension



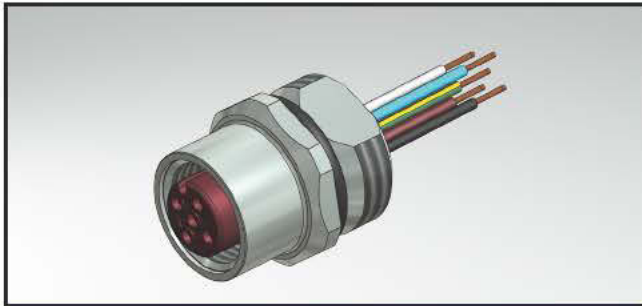
## ORDER DATA

Cable	Length/L	Description	4-pos Part-no.	Description	5-pos Part-no.
TPE black 0,34 mm <sup>2</sup>	0,3m	SAL-HT-12-RKW4-RS4-0,3/S1	43-10908	SAL-HT-12-RKW5-RS5-0,3/S1	43-10912
	0,6m	SAL-HT-12-RKW4-RS4-0,6/S1	43-10909	SAL-HT-12-RKW5-RS5-0,6/S1	43-10913
	1,5m	SAL-HT-12-RKW4-RS4-1,5/S1	43-10910	SAL-HT-12-RKW5-RS5-1,5/S1	43-10914
	3m	SAL-HT-12-RKW4-RS4-3/S1	43-10911	SAL-HT-12-RKW5-RS5-3/S1	43-10915

For custom length or quality levels contact factory

# SAL M12x1 CONNECTORS – HT TEMPERATURE RESISTANT 125°C

Female socket with wire, frontmounting, M16x1,5-thread



RoHS compliant

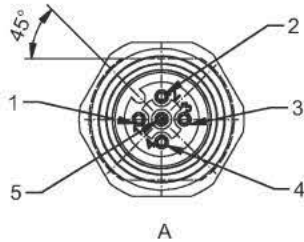
### TECHNICAL DATA

Rated voltage	4-pos	5-pos
	250V	60V
Current rating	4A at +40°C	
Pollution degree	3 / 2	
Insulation resistance	≥ 100 MΩ	
Degree of protection	IP67 in mated condition	
Temperature range	+100°C up to 30.000h	
	+125°C up to 8.000h	
	+150°C up to 2.000h	
Mating cycles	≥ 100	

### PRODUCT DRAWING

#### Pin Configuration

4/5-pos

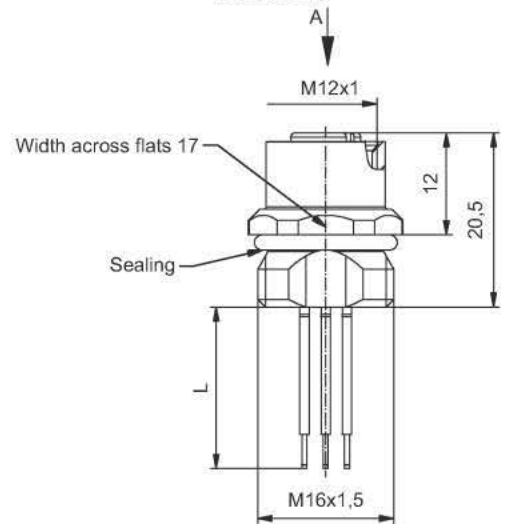


#### Contact Assignment

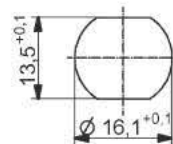
- 5-pos
- 1) brown
  - 2) white
  - 3) blue
  - 4) black
  - 5) green-yellow

- 5.1-pos
- 1) brown
  - 2) white
  - 3) blue
  - 4) black
  - 5) grey

#### Dimension



#### Cut-Out Front Panel



Minimum wall thickness 1,5mm, alternativ panel cut-out d=16,1

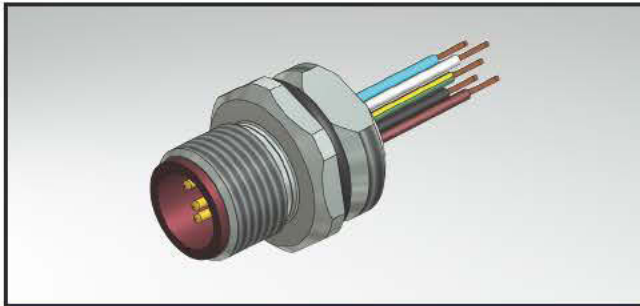
### ORDER DATA

Wire	Length/L	Description	4-pos Part-no.	Description	5-pos Part-no.
Copolymer, UL, AWG 24	0,5m	SAL-HT-12-FK4-0,5	43-01022	SAL-HT-12-FK5-0,5	43-01023
	0,5m			SAL-HT-12-FK5.1-0,5	43-01046

Suitable hex nut in section 9

# SAL M12x1 CONNECTORS – HT TEMPERATURE RESISTANT 125°C

Male socket with wire, frontmounting, M16x1,5-thread



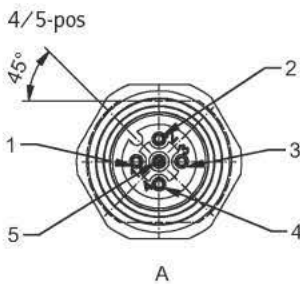
RoHS compliant

### TECHNICAL DATA

Rated voltage	4-pos	5-pos
	250V	60V
Current rating	4A at +40°C	
Pollution degree	3 / 2	
Insulation resistance	≥ 100 MΩ	
Degree of protection	IP67 in mated condition	
Temperature range	+100°C up to 30.000h	
	+125°C up to 8.000h	
	+150°C up to 2.000h	
Mating cycles	≥ 100	

### PRODUCT DRAWING

#### Pin Configuration

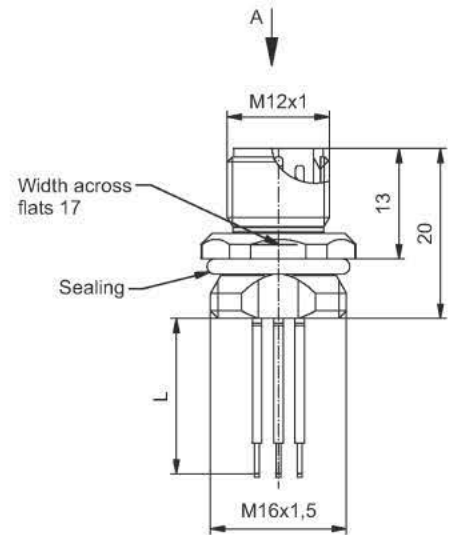


#### Contact Assignment

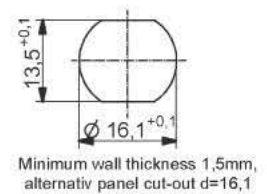
- 5-pol
- 1 brown
  - 2 white
  - 3 blue
  - 4 black
  - 5 green-yellow

- 5.1-pol
- 1 brown
  - 2 white
  - 3 blue
  - 4 black
  - 5 grey

#### Dimension



#### Cut-Out Front Panel



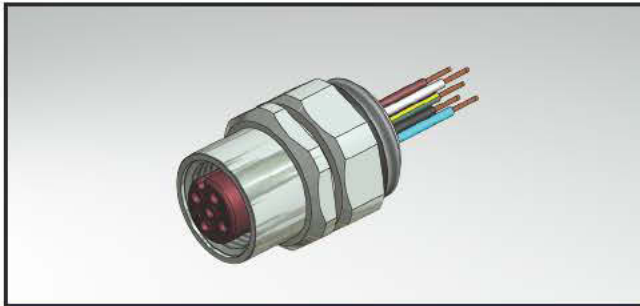
### ORDER DATA

Wire	Length/L	Description	4-pos Part-no.	Description	5-pos Part-no.
Copolymer, UL, AWG 24	0,5m	SAL-HT-12-FS4-0,5	43-01024	SAL-HT-12-FS5-0,5	43-01025
	0,5m			SAL-HT-12-FS5.1-0,5	43-01050

Suitable hex nut in section 9

# SAL M12x1 CONNECTORS – HT TEMPERATURE RESISTANT 125°C

Female socket with wire, positioning possible, M16x1,5-thread



RoHS compliant

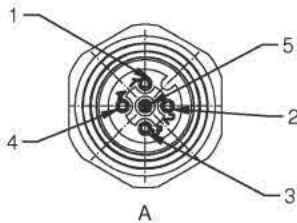
### TECHNICAL DATA

Rated voltage	4-pos	5-pos
	250V	60V
Current rating	4A at +40°C	
Pollution degree	3 / 2	
Insulation resistance	≥ 100 MΩ	
Degree of protection	IP67 in mated condition	
Temperature range	+100°C up to 30.000h	
	+125°C up to 8.000h	
	+150°C up to 2.000h	
Mating cycles	≥ 100	

### PRODUCT DRAWING

#### Pin Configuration

4/5-pos

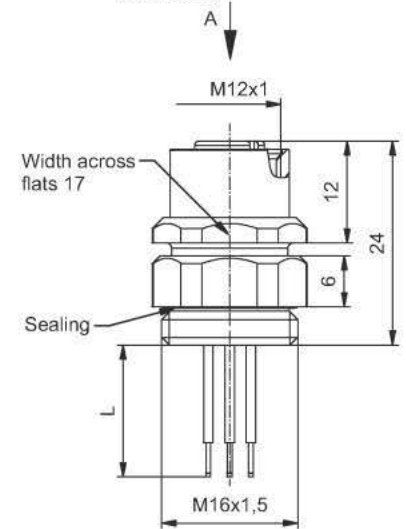


#### Contact Assignment

- 5-pos
- 1) brown
  - 2) white
  - 3) blue
  - 4) black
  - 5) green-yellow

- 5.1-pos
- 1) brown
  - 2) white
  - 3) blue
  - 4) black
  - 5) grey

#### Dimension



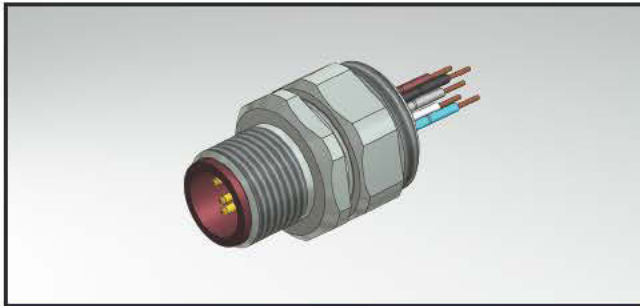
### ORDER DATA

Wire	Length/L	Description	4-pos Part-no.	Description	5-pos Part-no.
Copolymer, UL, AWG 24	0,5m	SAL-HT-12-FKP4-0,5	43-01038	SAL-HT-12-FKP5-0,5	43-01039
	0,5m			SAL-HT-12-FKP5.1-0,5	43-01127

Suitable hex nut in section 9

# SAL M12x1 CONNECTORS – HT TEMPERATURE RESISTANT 125°C

Male socket with wire, positioning possible, M16x1.5-thread



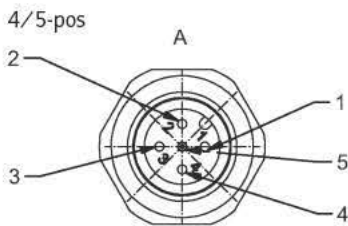
RoHS compliant

### TECHNICAL DATA

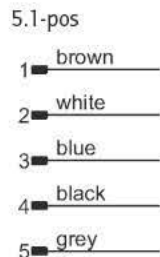
Rated voltage	4-pos	5-pos
	250V	60V
Current rating	4A at +40°C	
Pollution degree	3 / 2	
Insulation resistance	≥ 100 MΩ	
Degree of protection	IP67 in mated condition	
Temperature range	+100°C up to 30.000h	
	+125°C up to 8.000h	
	+150°C up to 2.000h	
Mating cycles	≥ 100	

### PRODUCT DRAWING

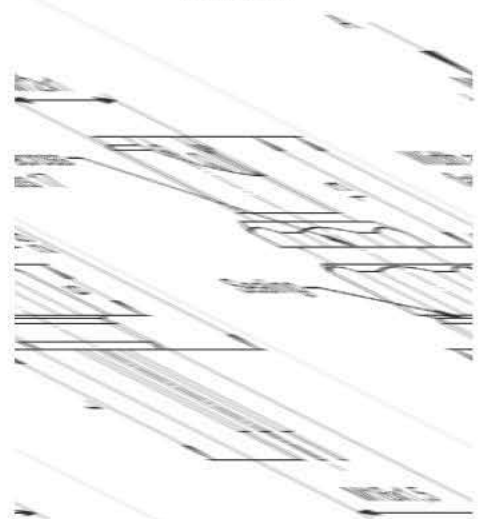
#### Pin Configuration



#### Contact Assignment



#### Dimension



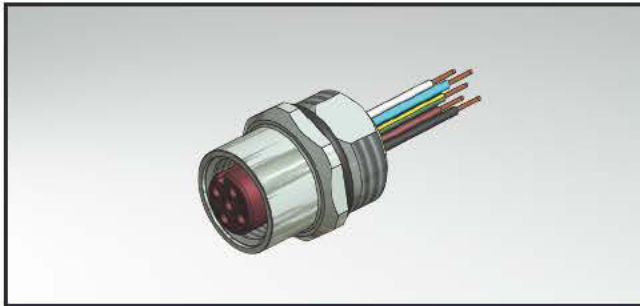
### ORDER DATA

Wire	Length/L	Description	4-pos Part-no.	Description	5-pos Part-no.
Copolymer, UL, AWG 24	0,5m	SAL-HT-12-FSP4-0,5	43-01040	SAL-HT-12-FSP5-0,5	43-01041
	0,5m			SAL-HT-12-FSP5.1-0,5	43-01128

Suitable hex nut in section 9

# SAL M12x1 CONNECTORS – HT TEMPERATURE RESISTANT 125°C

Female socket with wire, frontmounting, PG9-thread



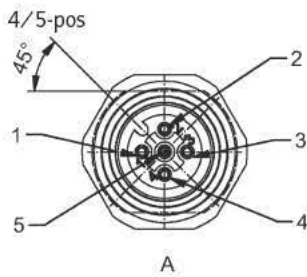
RoHS compliant

**TECHNICAL DATA**

Rated voltage	4-pos	5-pos
	250V	60V
Current rating	4A at +40°C	
Pollution degree	3 / 2	
Insulation resistance	≥ 100 MΩ	
Degree of protection	IP67 in mated condition	
Temperature range	+100°C up to 30.000h	
	+125°C up to 8.000h	
	+150°C up to 2.000h	

**PRODUCT DRAWING**

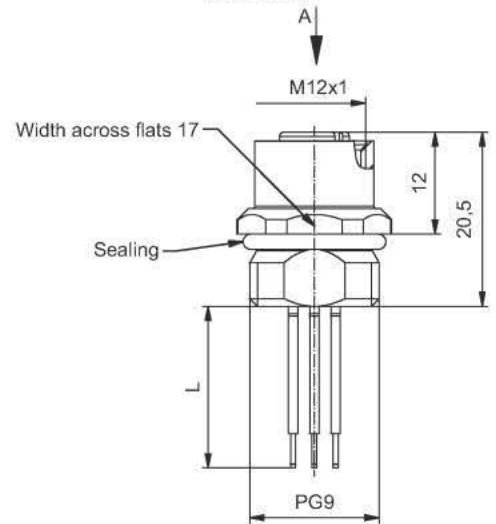
**Pin Configuration**



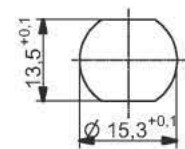
**Contact Assignment**

- 5-pos
- 1) brown
  - 2) white
  - 3) blue
  - 4) black
  - 5) green-yellow
- 5.1-pos
- 1) brown
  - 2) white
  - 3) blue
  - 4) black
  - 5) grey

**Dimension**



**Cut-Out Front Panel**



Minimum wall thickness 1,5mm, alternativ panel cut-out d=15,3

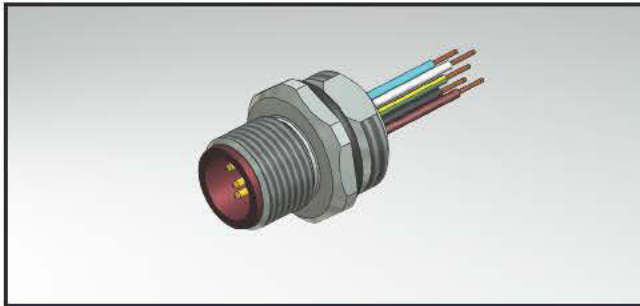
**ORDER DATA**

Wire	Length/L	Description	4-pos Part-no.	Description	5-pos Part-no.
Copolymer, UL, AWG 24	0,5m	SAL-HT-12-FK4-0,5-9	43-01076	SAL-HT-12-FK5-0,5-9	43-01078
	0,5m			SAL-HT-12-FK5.1-0,5-9	43-01077

Suitable hex nut in section 9

# SAL M12x1 CONNECTORS – HT TEMPERATURE RESISTANT 125°C

Male socket with wire, frontmounting, PG9-thread



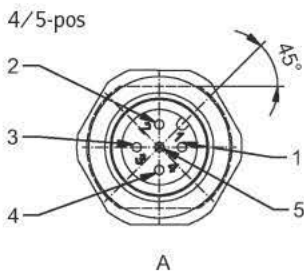
RoHS compliant

### TECHNICAL DATA

Rated voltage	4-pos	5-pos
	250V	60V
Current rating	4A at +40°C	
Pollution degree	3 / 2	
Insulation resistance	≥ 100 MΩ	
Degree of protection	IP67 in mated condition	
Temperature range	+100°C up to 30.000h	
	+125°C up to 8.000h	
	+150°C up to 2.000h	
Mating cycles	≥ 100	

### PRODUCT DRAWING

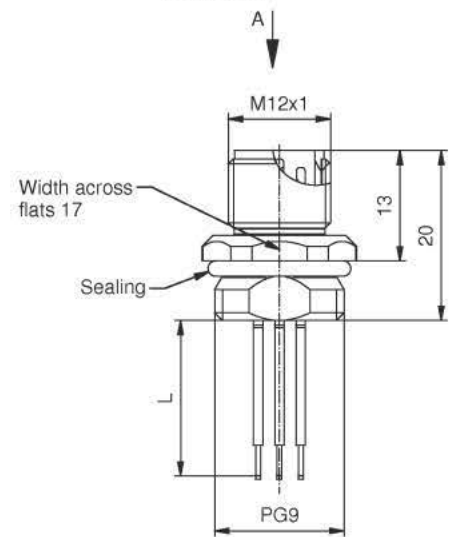
#### Pin Configuration



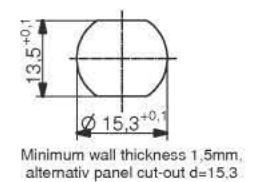
#### Contact Assignment

- 5-pos
- 1 brown
  - 2 white
  - 3 blue
  - 4 black
  - 5 green-yellow
- 5.1-pos
- 1 brown
  - 2 white
  - 3 blue
  - 4 black
  - 5 grey

#### Dimension



#### Cut-Out Front Panel



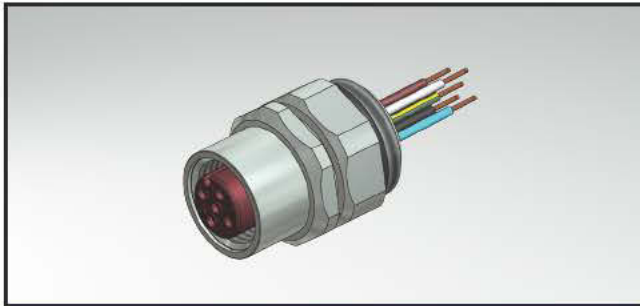
### ORDER DATA

Wire	Length/L	Description	4-pos Part-no.	Description	5-pos Part-no.
Copolymer, UL, AWG 24	0,5m	SAL-HT-12-FS4-0,5-9	43-01085	SAL-HT-12-FS5-0,5-9	43-01087
	0,5m			SAL-HT-12-FS5.1-0,5-9	43-01086

Suitable hex nut in section 9

# SAL M12x1 CONNECTORS – HT TEMPERATURE RESISTANT 125°C

Female socket with wire, positioning possible, PG9-thread



RoHS compliant

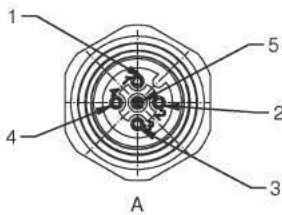
### TECHNICAL DATA

Rated voltage	4-pos	5-pos
	250V	60V
Current rating	4A at +40°C	
Pollution degree	3 / 2	
Insulation resistance	≥ 100 MΩ	
Degree of protection	IP67 in mated condition	
Temperature range	+100°C up to 30.000h	
	+125°C up to 8.000h	
	+150°C up to 2.000h	
Mating cycles	≥ 100	

### PRODUCT DRAWING

#### Pin Configuration

4/5-pos



#### Contact Assignment

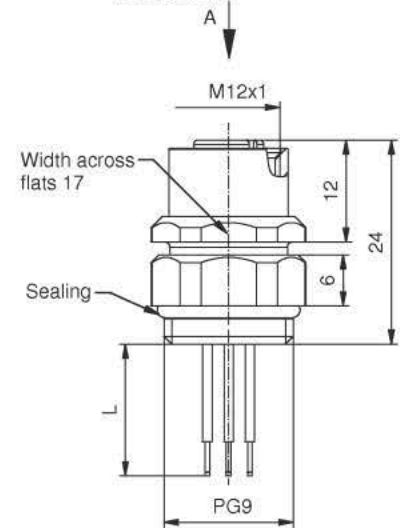
5-pos

- 1) brown
- 2) white
- 3) blue
- 4) black
- 5) green-yellow

5.1-pos

- 1) brown
- 2) white
- 3) blue
- 4) black
- 5) grey

#### Dimension



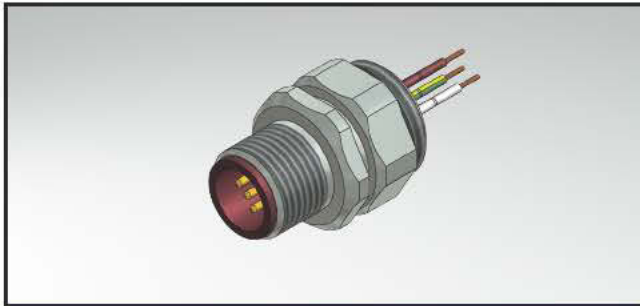
### ORDER DATA

Wire	Length/L	Description	4-pos Part-no.	Description	5-pos Part-no.
Copolymer, UL, AWG 24	0,5m	SAL-HT-12-FKP4-0,5-9	43-01112	SAL-HT-12-FKP5-0,5-9	43-01113
	0,5m			SAL-HT-12-FKP5.1-0,5-9	43-01135

Suitable hex nut in section 9

# SAL M12x1 CONNECTORS – HT TEMPERATURE RESISTANT 125°C

Male socket with wire, positioning possible, PG9-thread



RoHS compliant

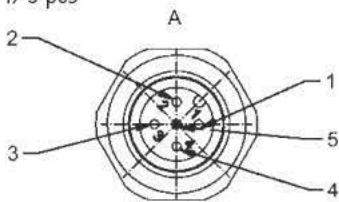
### TECHNICAL DATA

Rated voltage	4-pos	5-pos
	250V	60V
Current rating	4A at +40°C	
Pollution degree	3 / 2	
Insulation resistance	≥ 100 MΩ	
Degree of protection	IP67 in mated condition	
Temperature range	+100°C up to 30.000h	
	+125°C up to 8.000h	
	+150°C up to 2.000h	
Mating cycles	≥ 100	

### PRODUCT DRAWING

#### Pin Configuration

4/5-pos



#### Contact Assignment

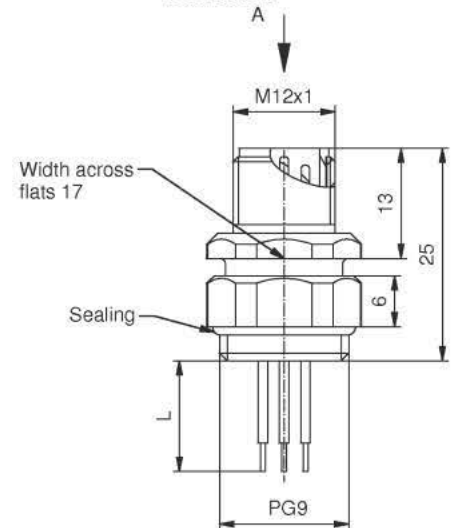
5-pos

- 1 brown
- 2 white
- 3 blue
- 4 black
- 5 green-yellow

5.1-pos

- 1 brown
- 2 white
- 3 blue
- 4 black
- 5 grey

#### Dimension



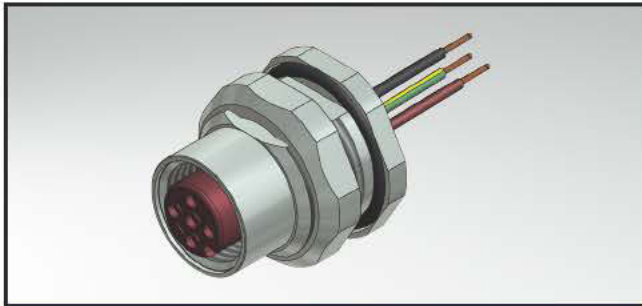
### ORDER DATA

Wire	Length/L	Description	4-pos Part-no.	Description	5-pos Part-no.
Copolymer, UL, AWG 24	0,5m	SAL-HT-12-FSP4-0,5-9	43-01114	SAL-HT-12-FSP5-0,5-9	43-01115
	0,5m			SAL-HT-12-FSP5.1-0,5-9	43-01136

Suitable hex nut in section 9

# SAL M12x1 CONNECTORS – HT TEMPERATURE RESISTANT 125°C

Female socket with wire, backmounting, M16x1,5-thread



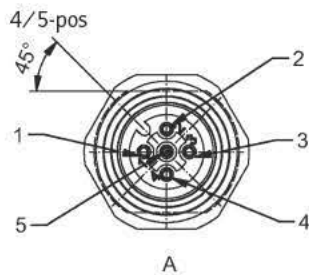
RoHS compliant

### TECHNICAL DATA

Rated voltage	4-pos	5-pos
	250V	60V
Current rating	4A at +40°C	
Pollution degree	3 / 2	
Insulation resistance	≥ 100 MΩ	
Degree of protection	IP67 in mated condition	
Temperature range	+100°C up to 30.000h	
	+125°C up to 8.000h	
	+150°C up to 2.000h	
Mating cycles	≥ 100	

### PRODUCT DRAWING

#### Pin Configuration

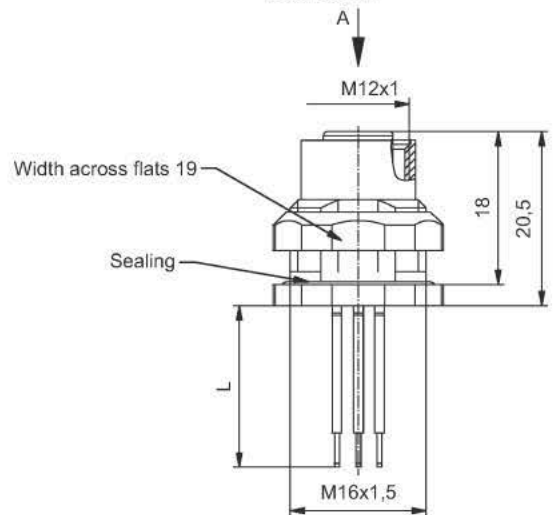


#### Contact Assignment

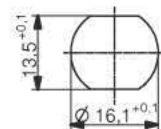
- 5-pos
- 1) brown
  - 2) white
  - 3) blue
  - 4) black
  - 5) green-yellow

- 5.1-pos
- 1) brown
  - 2) white
  - 3) blue
  - 4) black
  - 5) grey

#### Dimension



#### Cut-Out Front Panel



Minimum wall thickness 1,5mm,  
alternativ panel cut-out d=16,1

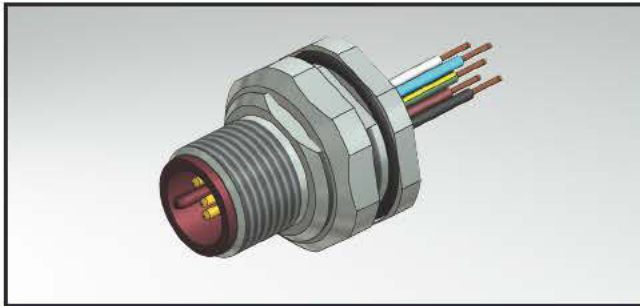
### ORDER DATA

Wire	Length/L	Description	4-pos Part-no.	Description	5-pos Part-no.
Copolymer, UL, AWG 24	0,5m	SAL-HT-12-FKH4-0,5	43-01121	SAL-HT-12-FKH5-0,5	43-01122
	0,5m			SAL-HT-12-FKH5.1-0,5	43-01129

Suitable hex nut in section 9

# SAL M12x1 CONNECTORS – HT TEMPERATURE RESISTANT 125°C

Male socket with wire, backmounting, M16x1,5-thread



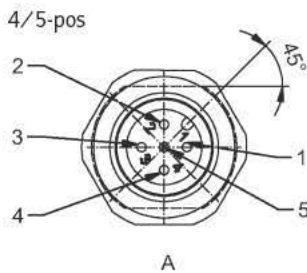
RoHS compliant

### TECHNICAL DATA

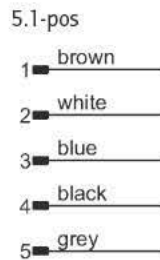
Rated voltage	4-pos	5-pos
	250V	60V
Current rating	4A at +40°C	
Pollution degree	3 / 2	
Insulation resistance	≥ 100 MΩ	
Degree of protection	IP67 in mated condition	
Temperature range	+100°C up to 30.000h	
	+125°C up to 8.000h	
	+150°C up to 2.000h	
Mating cycles	≥ 100	

### PRODUCT DRAWING

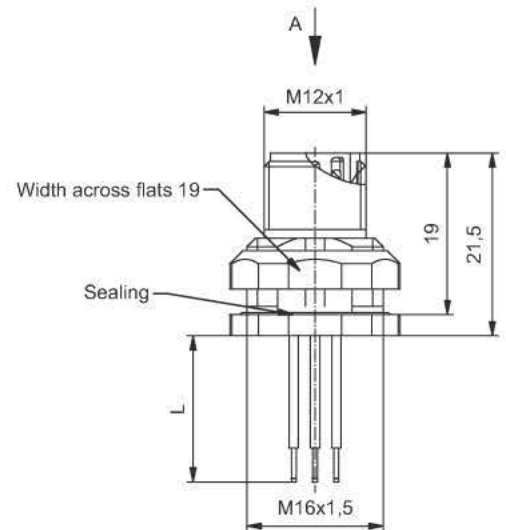
#### Pin Configuration



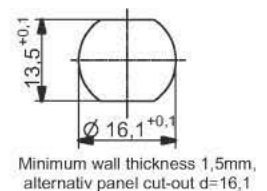
#### Contact Assignment



#### Dimension



#### Cut-Out Front Panel



### ORDER DATA

Wire	Length/L	Description	4-pos Part-no.	Description	5-pos Part-no.
Copolymer, UL, AWG 24	0,5m	SAL-HT-12-FSH4-0,5	43-01131	SAL-HT-12-FSH5-0,5	43-01132
	0,5m			SAL-HT-12-FSH5.1-0,5	43-01130

Suitable hex nut in section 9

# SAL M12x1 CONNECTORS – HT TEMPERATURE RESISTANT 125°C

Female socket with wire, backmounting, PG9-thread



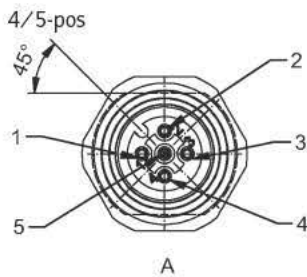
RoHS compliant

**TECHNICAL DATA**

Rated voltage	4-pos	5-pos
	250V	60V
Current rating	4A at +40°C	
Pollution degree	3 / 2	
Insulation resistance	≥ 100 MΩ	
Degree of protection	IP67 in mated condition	
Temperature range	+100°C up to 30.000h	
	+125°C up to 8.000h	
	+150°C up to 2.000h	
Mating cycles	≥ 100	

**PRODUCT DRAWING**

**Pin Configuration**

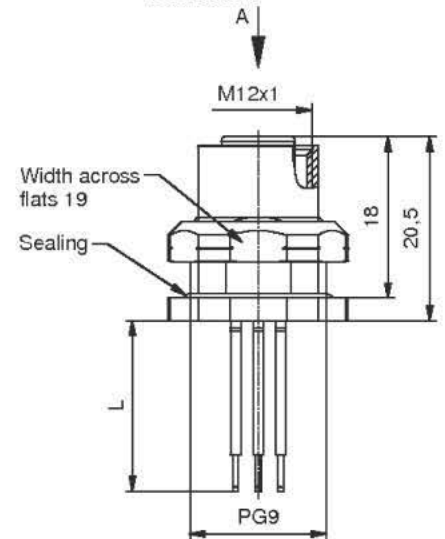


**Contact Assignment**

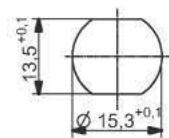
- 5-pos
- 1) brown
  - 2) white
  - 3) blue
  - 4) black
  - 5) green-yellow

- 5.1-pos
- 1) brown
  - 2) white
  - 3) blue
  - 4) black
  - 5) grey

**Dimension**



**Cut-Out Front Panel**



Minimum wall thickness 1,5mm, alternativ panel cut-out d=15,3

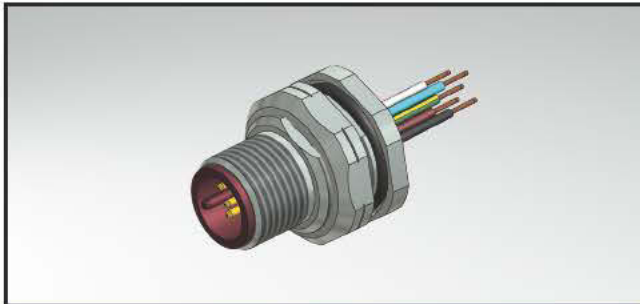
**ORDER DATA**

Wire	Length/L	Description	4-pos Part-no.	Description	5-pos Part-no.
Copolymer, UL, AWG 24	0,5m	SAL-HT-12-FKH4-0,5-9	43-01119	SAL-HT-12-FKH5-0,5-9	43-01120
	0,5m			SAL-HT-12-FKH5.1-0,5-9	43-01137

Suitable hex nut in section 9

# SAL M12x1 CONNECTORS – HT TEMPERATURE RESISTANT 125°C

Male socket with wire, backmounting, PG9-thread



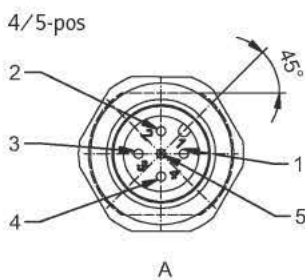
RoHS compliant

## TECHNICAL DATA

Rated voltage	4-pos	5-pos
	250V	60V
Current rating	4A at +40°C	
Pollution degree	3 / 2	
Insulation resistance	≥ 100 MΩ	
Degree of protection	IP67 in mated condition	
Temperature range	+100°C up to 30.000h	
	+125°C up to 8.000h	
	+150°C up to 2.000h	
Mating cycles	≥ 100	

## PRODUCT DRAWING

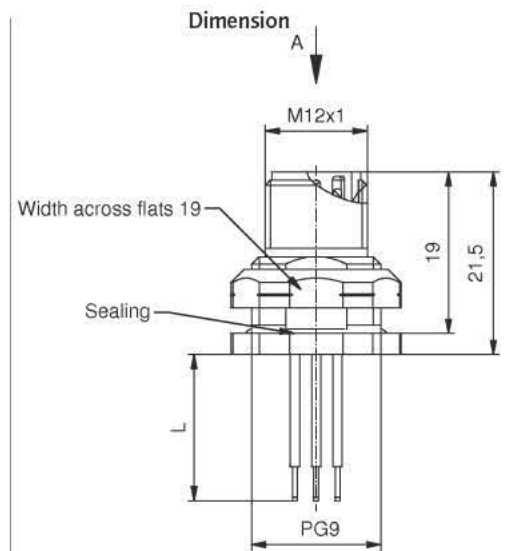
### Pin Configuration



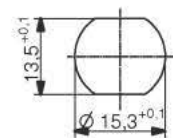
### Contact Assignment

- 5-pos
- 1 brown
  - 2 white
  - 3 blue
  - 4 black
  - 5 green-yellow
- 5.1-pos
- 1 brown
  - 2 white
  - 3 blue
  - 4 black
  - 5 grey

### Dimension



### Cut-Out Front Panel



Minimum wall thickness 1,5mm.  
alternativ panel cut-out d=15,3

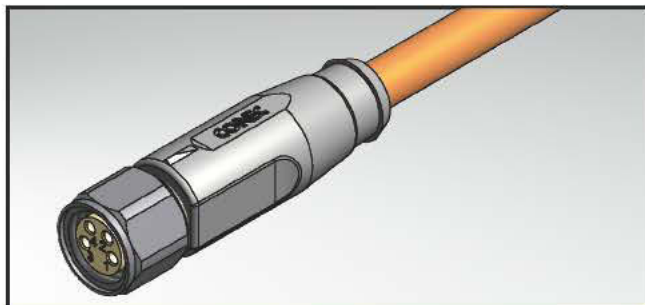
## ORDER DATA

Wire	Length/L	Description	4-pos Part-no.	Description	5-pos Part-no.
Copolymer, UL, AWG 24	0,5m	SAL-HT-12-FSH4-0,5-9	43-01133	SAL-HT-12-FSH5-0,5-9	43-01134
	0,5m			SAL-HT-12-FSH5.1-0,5-9	43-01138

Suitable hex nut in section 9

# SAL M8x1 CONNECTORS – FB FOR FOOD & BEVERAGE INDUSTRY

## Female connector, axial



RoHS compliant

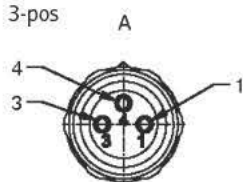
### TECHNICAL DATA

Rated voltage	3-pos	4-pos
	60V	30V
Current rating	3A at +40°C	
Pollution degree	3 / 2	
Insulation resistance	≥ 100 MΩ	
Degree of protection	IP69K in mated condition	
Temperature range	-30°C to +105°C	
Mating cycles	≥ 100	

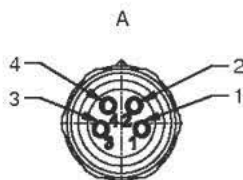
### PRODUCT DRAWING

#### Pin Configuration

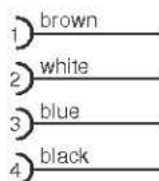
3-pos



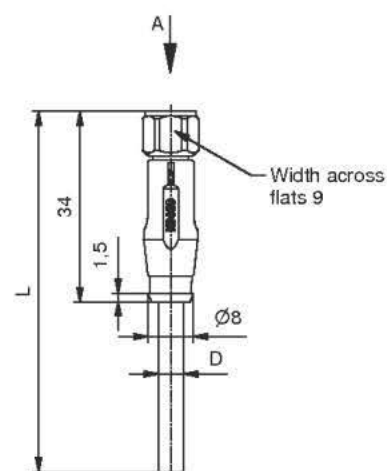
4-pos



#### Contact Assignment



#### Dimension



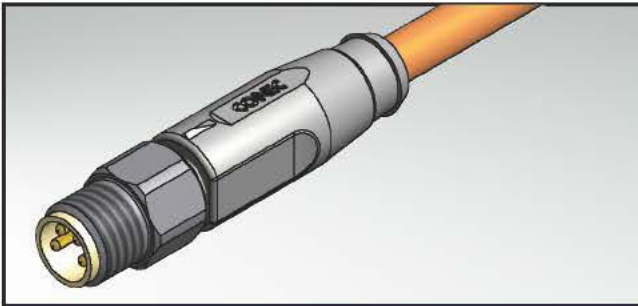
### ORDER DATA

Cable	Length/L	Description	3-pos Part-no.	Description	4-pos Part-no.
PP orange 0,25 mm <sup>2</sup>	2m	SAL-FB-8-RK3-2/P1	42-10468	SAL-FB-8-RK4-2/P1	42-10472
	3m	SAL-FB-8-RK3-3/P1	42-10469	SAL-FB-8-RK4-3/P1	42-10473
	5m	SAL-FB-8-RK3-5/P1	42-10470	SAL-FB-8-RK4-5/P1	42-10474
	10m	SAL-FB-8-RK3-10/P1	42-10471	SAL-FB-8-RK4-10/P1	42-10475

For custom length or quality levels contact factory

# SAL M8x1 Connectors – FB for Food & Beverage Industry

Male connector, axial



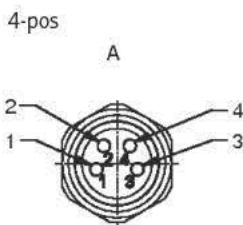
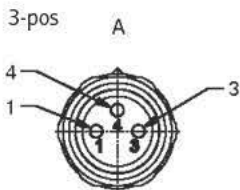
RoHS compliant

## TECHNICAL DATA

Rated voltage	3-pos	4-pos
	60V	30V
Current rating	3A at +40°C	
Pollution degree	3 / 2	
Insulation resistance	≥ 100 MΩ	
Degree of protection	IP69K in mated condition	
Temperature range	-30°C to +105°C	
Mating cycles	≥ 100	

## PRODUCT DRAWING

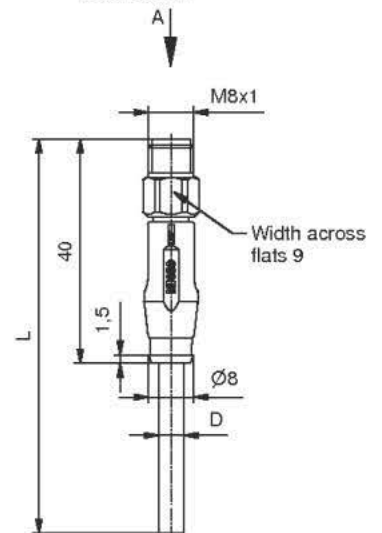
### Pin Configuration



### Contact Assignment

1	brown
2	white
3	blue
4	black

### Dimension



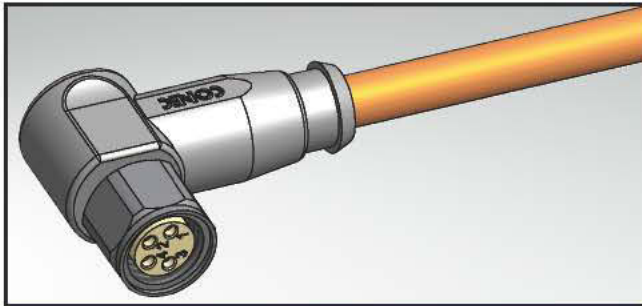
## ORDER DATA

Cable	Length/L	Description	3-pos Part-no.	Description	4-pos Part-no.
PP orange 0,25 mm <sup>2</sup>	2m	SAL-FB-8-RS3-2/P1	42-10476	SAL-FB-8-RS4-2/P1	42-10480
	3m	SAL-FB-8-RS3-3/P1	42-10477	SAL-FB-8-RS4-3/P1	42-10481
	5m	SAL-FB-8-RS3-5/P1	42-10478	SAL-FB-8-RS4-5/P1	42-10482
	10m	SAL-FB-8-RS3-10/P1	42-10479	SAL-FB-8-RS4-10/P1	42-10483

For custom length or quality levels contact factory

# SAL M8x1 CONNECTORS – FB FOR FOOD & BEVERAGE INDUSTRY

## Female connector, angled



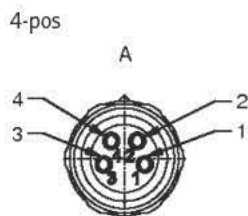
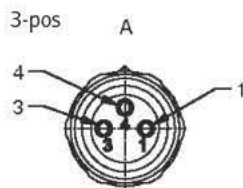
RoHS compliant

### TECHNICAL DATA

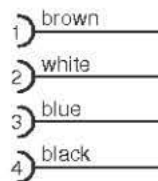
Rated voltage	3-pos	4-pos
	60V	30V
Current rating	3A at +40°C	
Pollution degree	3 / 2	
Insulation resistance	≥ 100 MΩ	
Degree of protection	IP69K in mated condition	
Temperature range	-30°C to +105°C	
Mating cycles	≥ 100	

### PRODUCT DRAWING

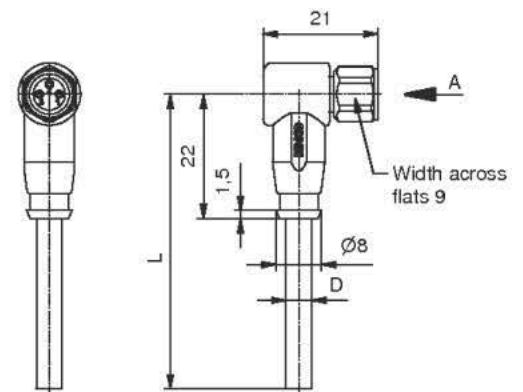
#### Pin Configuration



#### Contact Assignment



#### Dimension



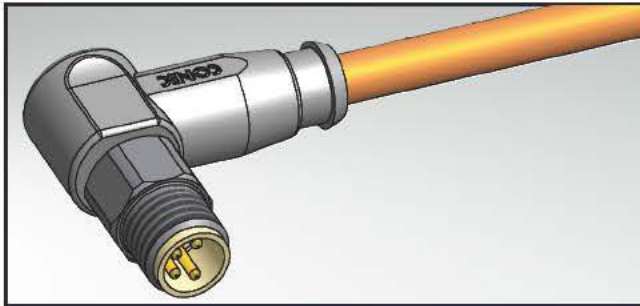
### ORDER DATA

Cable	Length/L	Description	3-pos Part-no.	Description	4-pos Part-no.
PP orange 0,25 mm <sup>2</sup>	2m	SAL-FB-8-RKW3-2/P1	42-10484	SAL-FB-8-RKW4-2/P1	42-10488
	3m	SAL-FB-8-RKW3-3/P1	42-10485	SAL-FB-8-RKW4-3/P1	42-10489
	5m	SAL-FB-8-RKW3-5/P1	42-10486	SAL-FB-8-RKW4-5/P1	42-10490
	10m	SAL-FB-8-RKW3-10/P1	42-10487	SAL-FB-8-RKW4-10/P1	42-10491

For custom length or quality levels contact factory

# SAL M8x1 CONNECTORS – FB FOR FOOD & BEVERAGE INDUSTRY

## Male connector, angled



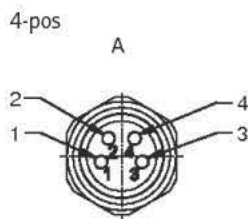
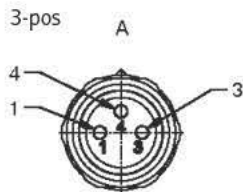
RoHS compliant

### TECHNICAL DATA

Rated voltage	3-pos	4-pos
	60V	30V
Current rating	3A at +40°C	
Pollution degree	3 / 2	
Insulation resistance	≥ 100 MΩ	
Degree of protection	IP69K in mated condition	
Temperature range	-30°C to +105°C	
Mating cycles	≥ 100	

### PRODUCT DRAWING

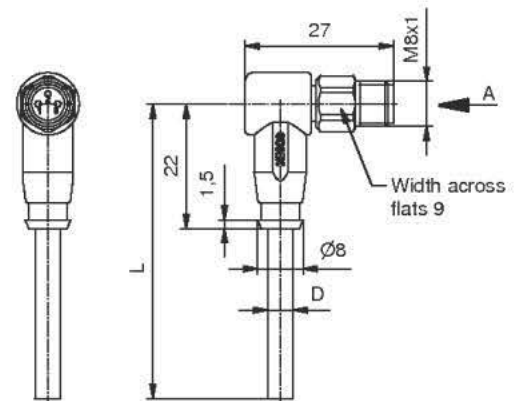
#### Pin Configuration



#### Contact Assignment



#### Dimension



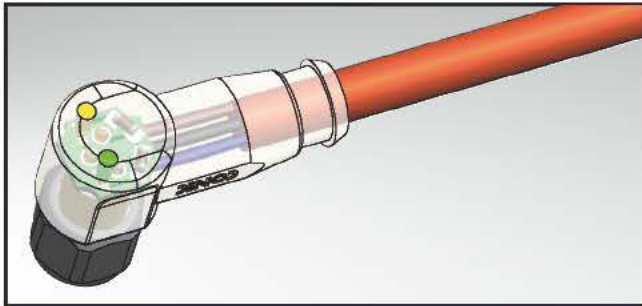
### ORDER DATA

Cable	Length/L	Description	3-pos Part-no.	Description	4-pos Part-no.
PP orange 0,25 mm <sup>2</sup>	2m	SAL-FB-8-RSW3-2/P1	42-10492	SAL-FB-8-RSW4-2/P1	42-10496
	3m	SAL-FB-8-RSW3-3/P1	42-10493	SAL-FB-8-RSW4-3/P1	42-10497
	5m	SAL-FB-8-RSW3-5/P1	42-10494	SAL-FB-8-RSW4-5/P1	42-10498
	10m	SAL-FB-8-RSW3-10/P1	42-10495	SAL-FB-8-RSW4-10/P1	42-10499

For custom length or quality levels contact factory

# SAL M8x1 CONNECTORS – FB FOR FOOD & BEVERAGE INDUSTRY

Female connector, angled with 2-Indicators LED-display



RoHS compliant

## TECHNICAL DATA

Rated voltage	3-pos 30V
Current rating	3A at +40°C
Pollution degree	3 / 2
Insulation resistance	>= 100 MΩ
Degree of protection	IP69K in mated condition
Temperature range	-30°C to +85°C (temporary till +105°C)
Mating cycles	>= 100

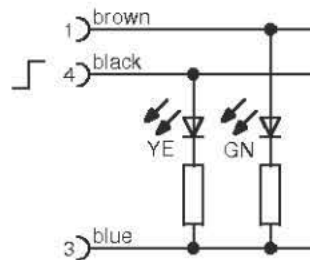
## PRODUCT DRAWING

### Pin Configuration

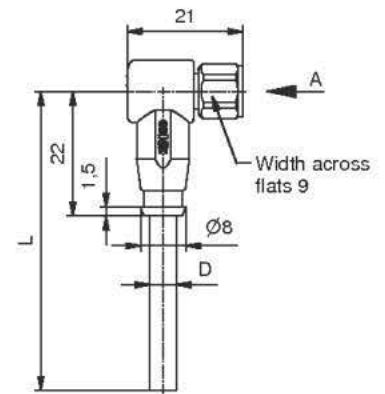
3-pos A



### Contact Assignment



### Dimension



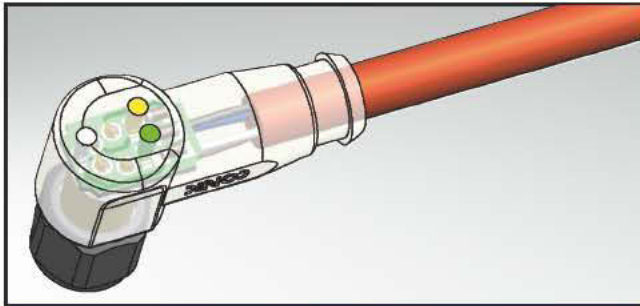
## ORDER DATA

Cable	Length/L	Description	3-pos Part-no.
PP orange 0,25 mm <sup>2</sup>	2m	SAL-FB-8-RKW3-2L-2/P1	42-10500
	3m	SAL-FB-8-RKW3-2L-3/P1	42-10501
	5m	SAL-FB-8-RKW3-2L-5/P1	42-10502
	10m	SAL-FB-8-RKW3-2L-10/P1	42-10503

For custom length, quality levels or different wirings contact factory

# SAL M8x1 CONNECTORS – FB FOR FOOD & BEVERAGE INDUSTRY

Female connector, angled with 3-Indicators LED-display



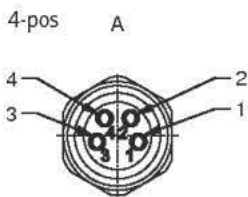
RoHS compliant

## TECHNICAL DATA

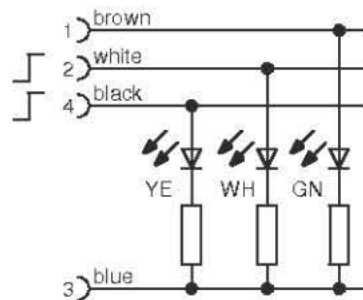
Rated voltage	4-pos 30V
Current rating	3A at +40°C
Pollution degree	3 / 2
Insulation resistance	>= 100 MΩ
Degree of protection	IP69K in mated condition
Temperature range	-30°C to +85°C (temporary till +105°C)
Mating cycles	>= 100

## PRODUCT DRAWING

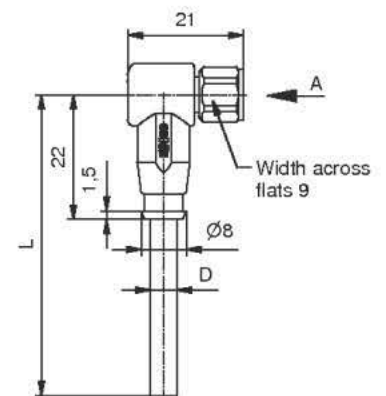
### Pin Configuration



### Contact Assignment



### Dimension



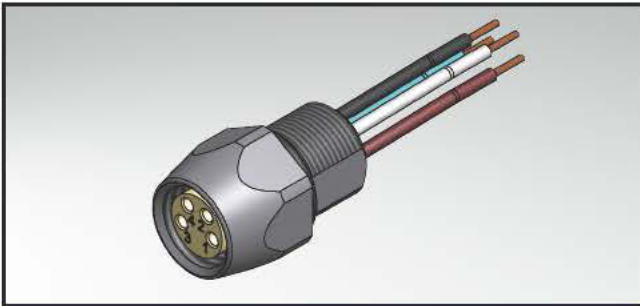
## ORDER DATA

Cable	Length/L	Description	4-pos Part-no.
PP orange 0,25 mm <sup>2</sup>	2m	SAL-FB-8-RKW4-3L-2/P1	42-10504
	3m	SAL-FB-8-RKW4-3L-3/P1	42-10505
	5m	SAL-FB-8-RKW4-3L-5/P1	42-10506
	10m	SAL-FB-8-RKW4-3L-10/P1	42-10507

For custom length, quality levels or different wirings contact factory

# SAL M8x1 CONNECTORS – FB FOR FOOD & BEVERAGE INDUSTRY

Female socket with wire, frontmounting, M8x0,5-thread



RoHS compliant

## TECHNICAL DATA

Rated voltage	3-pos	4-pos
	60V	30V
Current rating	3A at +40°C	
Pollution degree	3 / 2	
Insulation resistance	≥ 100 MΩ	
Degree of protection	IP69K in mated condition	
Temperature range	-30°C to +105°C	
Mating cycles	≥ 100	

## PRODUCT DRAWING

### Pin Configuration

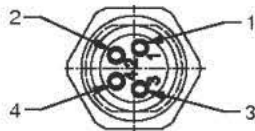
3-pos

A



4-pos

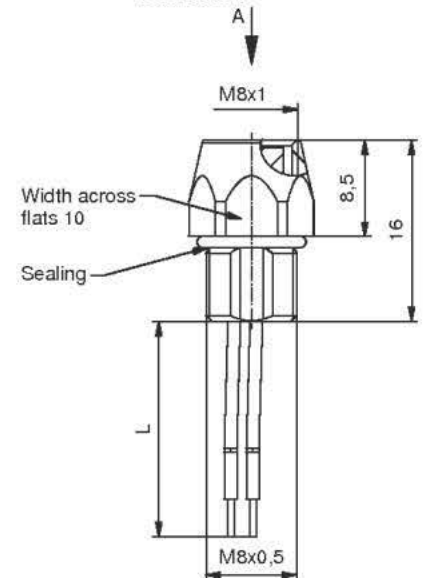
A



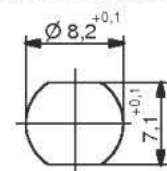
### Contact Assignment



### Dimension



### Cut-Out Front Panel



Minimum wall thickness  
1,5mm, alternativ panel  
cut-out d=8,2

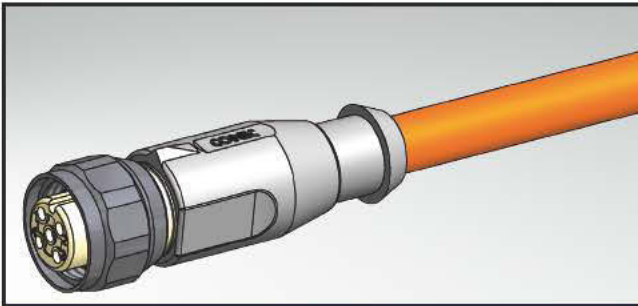
## ORDER DATA

Wire	Length/L	Description	3-pos Part-no.	Description	4-pos Part-no.
PVC, AWG24, UL	0,2m	SAL-FB-8-FK3-0,2	42-01018	SAL-FB-8-FK4-0,2	42-01019

Suitable hex nut in section 9

# SAL M12x1 CONNECTORS – FB FOR FOOD & BEVERAGE INDUSTRY

Female connector, axial



RoHS compliant

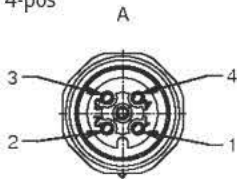
## TECHNICAL DATA

Rated voltage	4-pos	5-pos
	250V	60V
Current rating	4A at +40°C	
Pollution degree	3 / 2	
Insulation resistance	≥ 100 MΩ	
Degree of protection	IP69K in mated condition	
Temperature range	-30°C to +105°C	
Mating cycles	≥ 100	

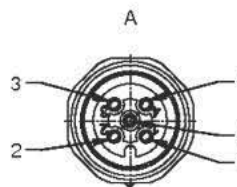
## PRODUCT DRAWING

### Pin Configuration

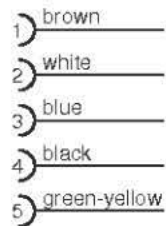
4-pos



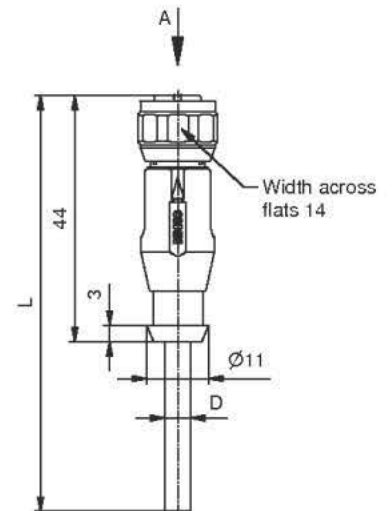
5-pos



### Contact Assignment



### Dimension



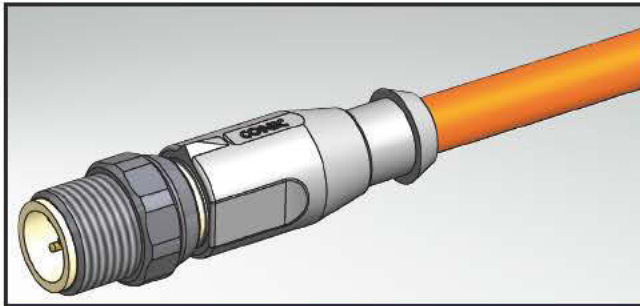
## ORDER DATA

Cable	Length/L	Description	4-pos Part-no.	Description	5-pos Part-no.
PP orange 0,34 mm <sup>2</sup>	2m	SAL-FB-12-RK4-2/P1	43-10512	SAL-FB-12-RK5-2/P1	43-10516
	3m	SAL-FB-12-RK4-3/P1	43-10513	SAL-FB-12-RK5-3/P1	43-10517
	5m	SAL-FB-12-RK4-5/P1	43-10514	SAL-FB-12-RK5-5/P1	43-10518
	10m	SAL-FB-12-RK4-10/P1	43-10515	SAL-FB-12-RK5-10/P1	43-10519

For custom length or quality levels contact factory

# SAL M12x1 CONNECTORS – FB FOR FOOD & BEVERAGE INDUSTRY

Male connector, axial



RoHS compliant

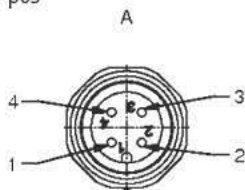
## TECHNICAL DATA

Rated voltage	4-pos	5-pos
	250V	60V
Current rating	4A at +40°C	
Pollution degree	3 / 2	
Insulation resistance	≥ 100 MΩ	
Degree of protection	IP69K in mated condition	
Temperature range	-30°C to +105°C	
Mating cycles	≥ 100	

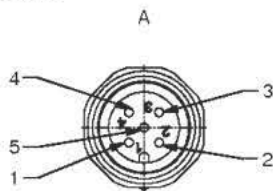
## PRODUCT DRAWING

### Pin Configuration

4-pos



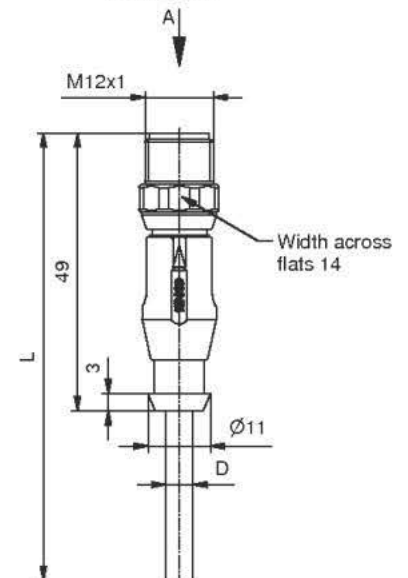
5-pos



### Contact Assignment

1	brown
2	white
3	blue
4	black
5	green-yellow

### Dimension



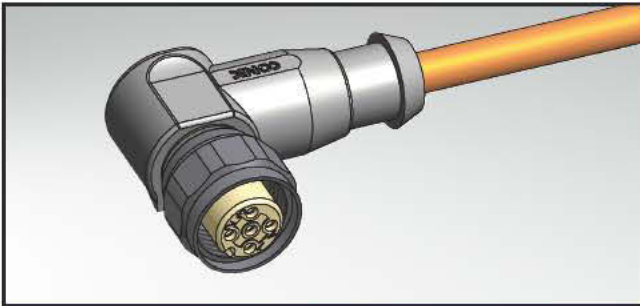
## ORDER DATA

Cable	Length/L	Description	4-pos Part-no.	Description	5-pos Part-no.
PP orange 0,34 mm <sup>2</sup>	2m	SAL-FB-12-RS4-2/P1	43-10520	SAL-FB-12-RS5-2/P1	43-10524
	3m	SAL-FB-12-RS4-3/P1	43-10521	SAL-FB-12-RS5-3/P1	43-10525
	5m	SAL-FB-12-RS4-5/P1	43-10522	SAL-FB-12-RS5-5/P1	43-10526
	10m	SAL-FB-12-RS4-10/P1	43-10523	SAL-FB-12-RS5-10/P1	43-10527

For custom length or quality levels contact factory

# SAL M12x1 CONNECTORS – FB FOR FOOD & BEVERAGE INDUSTRY

## Female connector, angled



RoHS compliant

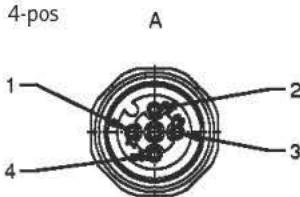
### TECHNICAL DATA

Rated voltage	4-pos	5-pos
	250V	60V
Current rating	4A at +40°C	
Pollution degree	3 / 2	
Insulation resistance	≥ 100 MΩ	
Degree of protection	IP69K in mated condition	
Temperature range	-30°C to +105°C	
Mating cycles	≥ 100	

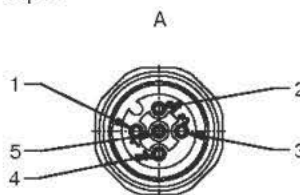
### PRODUCT DRAWING

#### Pin Configuration

4-pos



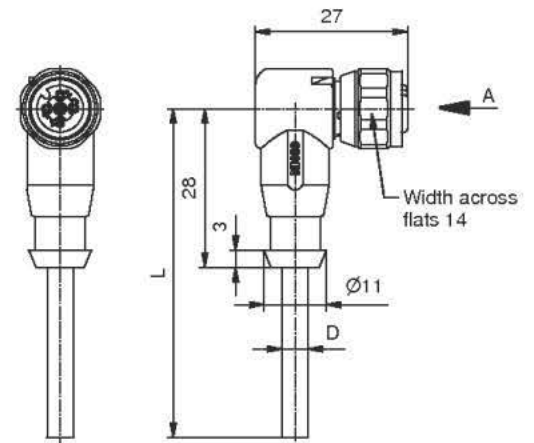
5-pos



#### Contact Assignment

1	brown
2	white
3	blue
4	black
5	green-yellow

#### Dimension



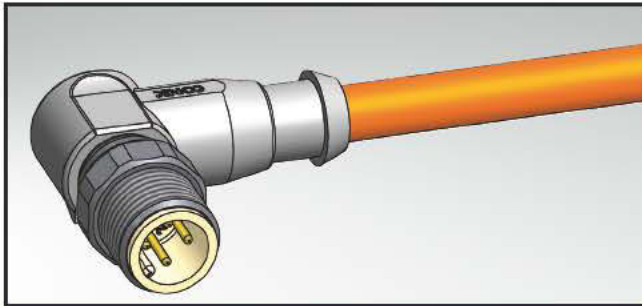
### ORDER DATA

Cable	Length/L	Description	4-pos Part-no.	Description	5-pos Part-no.
PP orange 0,34 mm <sup>2</sup>	2m	SAL-FB-12-RKW4-2/P1	43-10528	SAL-FB-12-RKW5-2/P1	43-10532
	3m	SAL-FB-12-RKW4-3/P1	43-10529	SAL-FB-12-RKW5-3/P1	43-10533
	5m	SAL-FB-12-RKW4-5/P1	43-10530	SAL-FB-12-RKW5-5/P1	43-10534
	10m	SAL-FB-12-RKW4-10/P1	43-10531	SAL-FB-12-RKW5-10/P1	43-10535

For custom length or quality levels contact factory

# SAL M12x1 CONNECTORS – FB FOR FOOD & BEVERAGE INDUSTRY

## Male connector, angled



RoHS compliant

### TECHNICAL DATA

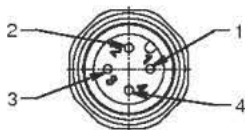
Rated voltage	4-pos	5-pos
	250V	60V
Current rating	4A at +40°C	
Pollution degree	3 / 2	
Insulation resistance	≥ 100 MΩ	
Degree of protection	IP69K in mated condition	
Temperature range	-30°C to +105°C	
Mating cycles	≥ 100	

### PRODUCT DRAWING

#### Pin Configuration

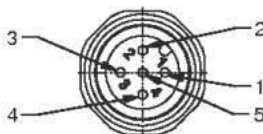
4-pos

A



5-pos

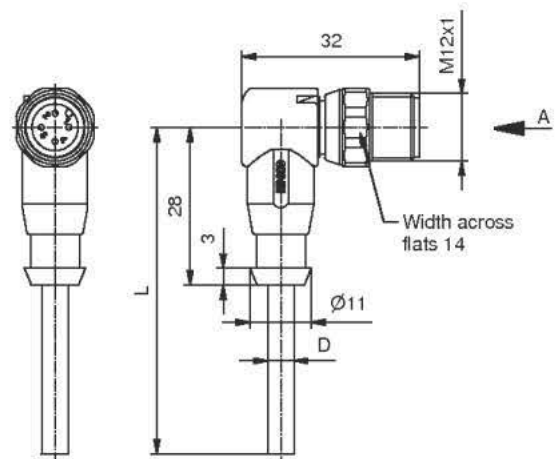
A



#### Contact Assignment

1	brown
2	white
3	blue
4	black
5	green-yellow

#### Dimension



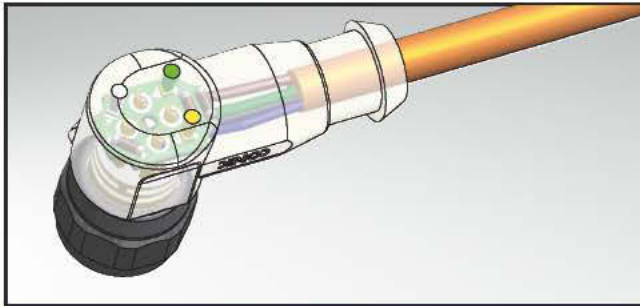
### ORDER DATA

Cable	Length/L	Description	4-pos Part-no.	Description	5-pos Part-no.
PP orange 0,34 mm <sup>2</sup>	2m	SAL-FB-12-RSW4-2/P1/A1090	43-14824	SAL-FB-12-RSW5-2/P1/A1090	43-14828
	3m	SAL-FB-12-RSW4-3/P1/A1090	43-14825	SAL-FB-12-RSW5-3/P1/A1090	43-14829
	5m	SAL-FB-12-RSW4-5/P1/A1090	43-14826	SAL-FB-12-RSW5-5/P1/A1090	43-14830
	10m	SAL-FB-12-RSW4-10/P1/A1090	43-14827	SAL-FB-12-RSW5-10/P1/A1090	43-14831

For custom length or quality levels contact factory

# SAL M12x1 CONNECTORS – FB FOR FOOD & BEVERAGE INDUSTRY

Female connector, angled, 3-fold LED-display



RoHS compliant

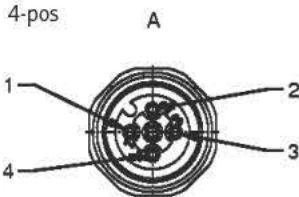
## TECHNICAL DATA

Rated voltage	4-pos	5-pos
	30V	30V
Current rating	4A at +40°C	
Pollution degree	3 / 2	
Insulation resistance	≥ 100 MΩ	
Degree of protection	IP69K in mated condition	
Temperature range	-30°C to +85°C (temporary till +105°C)	
Mating cycles	≥ 100	

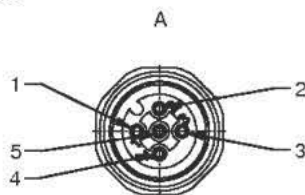
## PRODUCT DRAWING

### Pin Configuration

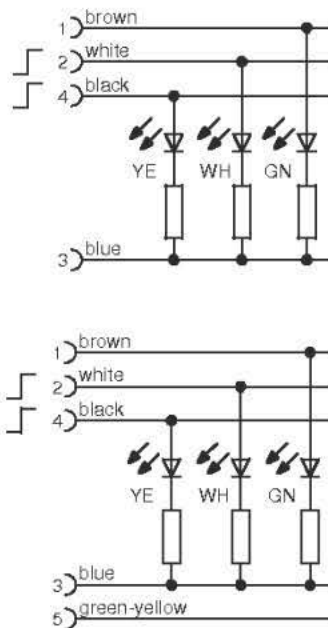
4-pos



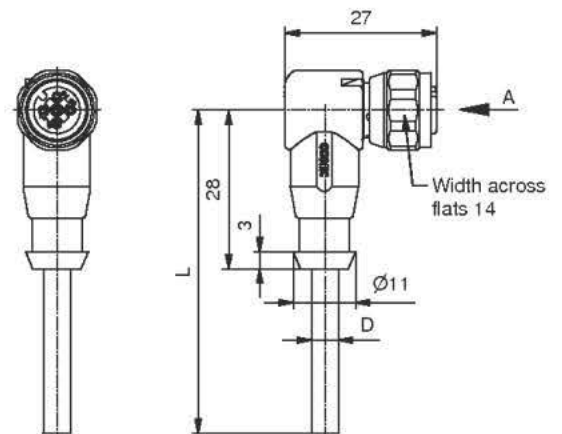
5-pos



### Contact Assignment



### Dimension



## ORDER DATA

Cable	Length/L	Description	4-pos Part-no.	Description	5-pos Part-no.
PP orange 0,34 mm <sup>2</sup>	2m	SAL-FB-12-RKW4-3L-2/P1	43-11636	SAL-FB-12-RKW5-3L-2/P1	43-11640
	3m	SAL-FB-12-RKW4-3L-3/P1	43-11637	SAL-FB-12-RKW5-3L-3/P1	43-11641
	5m	SAL-FB-12-RKW4-3L-5/P1	43-11638	SAL-FB-12-RKW5-3L-5/P1	43-11642
	10m	SAL-FB-12-RKW4-3L-10/P1	43-11639	SAL-FB-12-RKW5-3L-10/P1	43-11643

For custom length, quality levels or different wirings contact factory

# SAL M12x1 CONNECTORS – FB FOR FOOD & BEVERAGE INDUSTRY

Connecting cable Female connector, axial – Male connector, axial



RoHS compliant

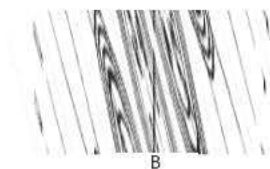
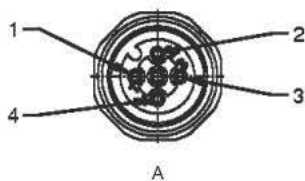
## TECHNICAL DATA

Rated voltage	4-pos	5-pos
	250V	60V
Current rating	4A at +40°C	
Pollution degree	3 / 2	
Insulation resistance	≥ 100 MΩ	
Degree of protection	IP69K in mated condition	
Temperature range	-30°C to +105°C	
Mating cycles	≥ 100	

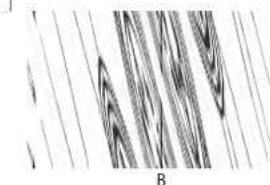
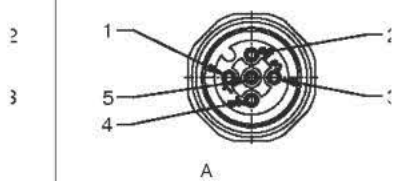
## PRODUCT DRAWING

### Pin Configuration

4-pos



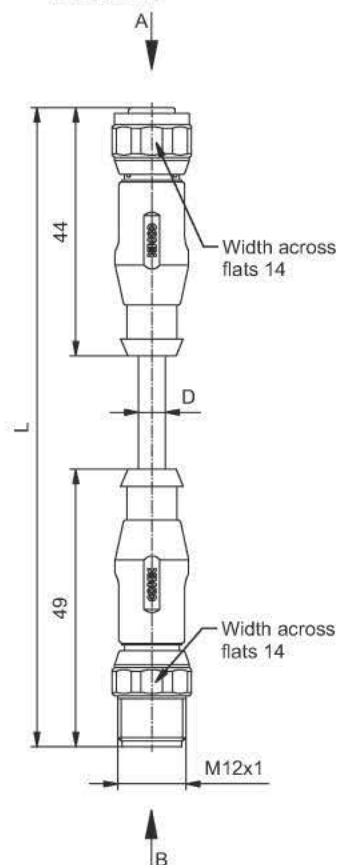
5-pos



### Contact Assignment

- 1) brown
- 2) white
- 3) blue
- 4) black
- 5) green-yellow

### Dimension



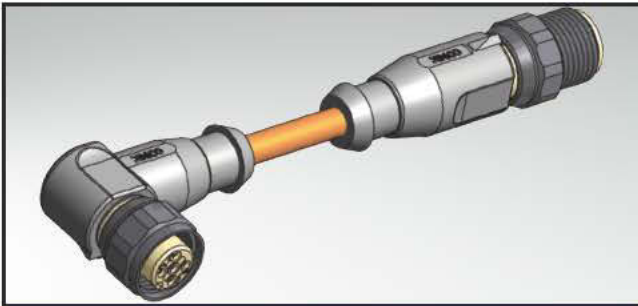
## ORDER DATA

Cable	Length/L	Description	4-pos Part-no.	Description	5-pos Part-no.
PP orange 0,34 mm <sup>2</sup>	0,3m	SAL-FB-12-RK4-RS4-0,3/P1	43-10916	SAL-FB-12-RK5-RS5-0,3/P1	43-10920
	0,6m	SAL-FB-12-RK4-RS4-0,6/P1	43-10917	SAL-FB-12-RK5-RS5-0,6/P1	43-10921
	1,5m	SAL-FB-12-RK4-RS4-1,5/P1	43-10918	SAL-FB-12-RK5-RS5-1,5/P1	43-10922
	3m	SAL-FB-12-RK4-RS4-3/P1	43-10919	SAL-FB-12-RK5-RS5-3/P1	43-10923

For custom length or quality levels contact factory

# SAL M12x1 CONNECTORS – FB FOR FOOD & BEVERAGE INDUSTRY

Connecting cable Female connector, angled – Male connector, axial



RoHS compliant

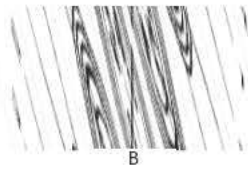
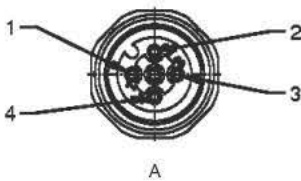
## TECHNICAL DATA

Rated voltage	4-pos	5-pos
	250V	60V
Current rating	4A at +40°C	
Pollution degree	3 / 2	
Insulation resistance	≥ 100 MΩ	
Degree of protection	IP69K in mated condition	
Temperature range	-30°C to +105°C	
Mating cycles	≥ 100	

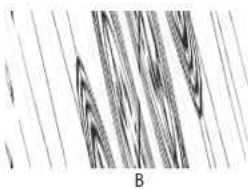
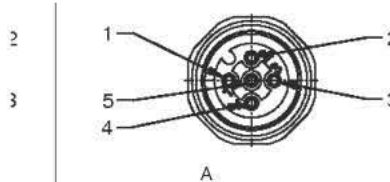
## PRODUCT DRAWING

### Pin Configuration

4-pos

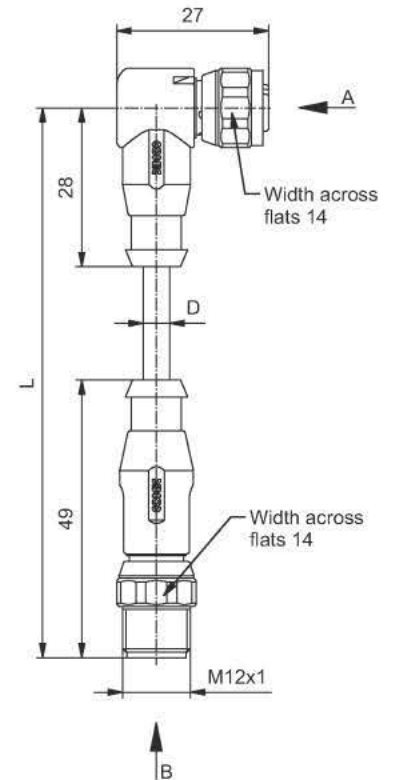
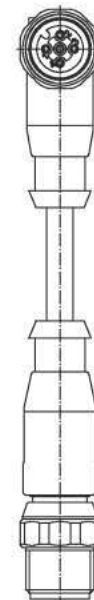


5-pos



### Contact Assignment

1	brown	→
2	white	→
3	blue	→
4	black	→
5	green-yellow	→



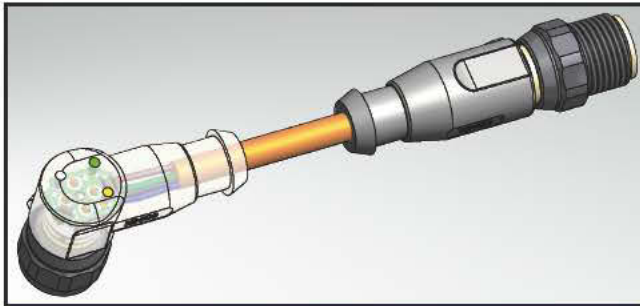
## ORDER DATA

Cable	Length/L	Description	4-pos Part-no.	Description	5-pos Part-no.
PP orange 0,34 mm <sup>2</sup>	0,3m	SAL-FB-12-RKW4-RS4-0,3/P1	43-10924	SAL-FB-12-RKW5-RS5-0,3/P1	43-10928
	0,6m	SAL-FB-12-RKW4-RS4-0,6/P1	43-10925	SAL-FB-12-RKW5-RS5-0,6/P1	43-10929
	1,5m	SAL-FB-12-RKW4-RS4-1,5/P1	43-10926	SAL-FB-12-RKW5-RS5-1,5/P1	43-10930
	3m	SAL-FB-12-RKW4-RS4-3/P1	43-10927	SAL-FB-12-RKW5-RS5-3/P1	43-10931

For custom length or quality levels contact factory

# SAL M12x1 CONNECTORS – FB FOR FOOD & BEVERAGE INDUSTRY

Connecting cable Female connector, angled, 3-fold LED-display – Male connector, axial



RoHS compliant

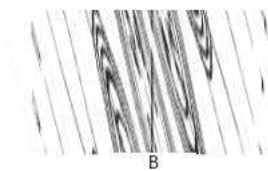
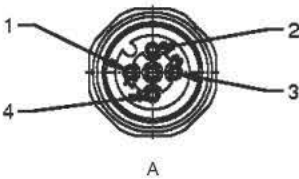
## TECHNICAL DATA

Rated voltage	4-pos	5-pos
	30V	30V
Current rating	4A at +40°C	
Pollution degree	3 / 2	
Insulation resistance	≥ 100 MΩ	
Degree of protection	IP69K in mated condition	
Temperature range	-30°C to +85°C (temporary till +105°C)	
Mating cycles	≥ 100	

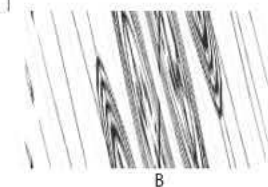
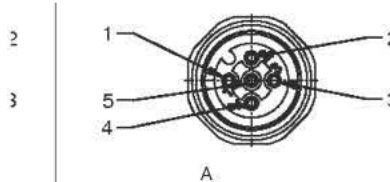
## PRODUCT DRAWING

### Pin Configuration

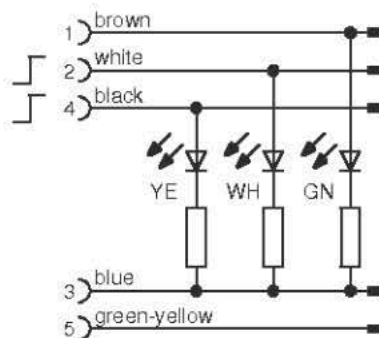
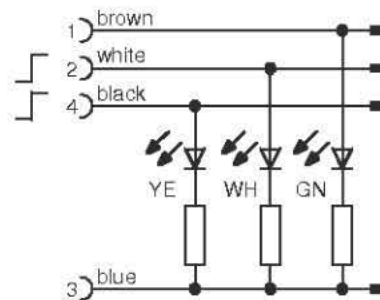
4-pos



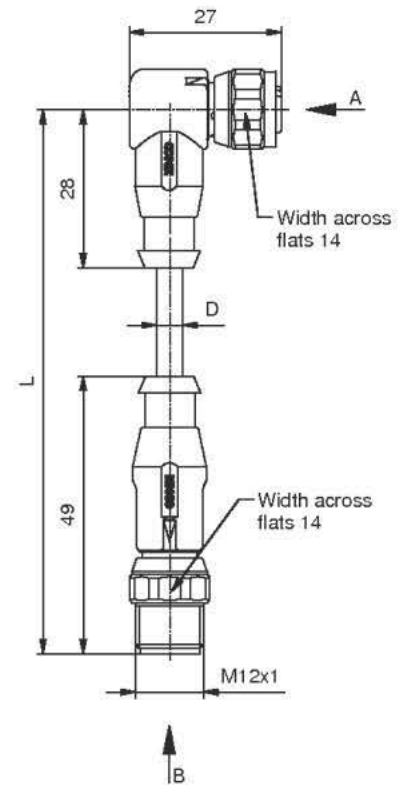
5-pos



### Contact Assignment



### Dimension



## ORDER DATA

Cable	Length/L	Description	4-pos Part-no.	Description	5-pos Part-no.
PP orange 0,34 mm <sup>2</sup>	0,3m	SAL-FB-12-RKW4-RS4-3L-0,3/P1	43-11652	SAL-FB-12-RKW5-RS5-3L-0,3/P1	43-11656
	0,6m	SAL-FB-12-RKW4-RS4-3L-0,6/P1	43-11653	SAL-FB-12-RKW5-RS5-3L-0,6/P1	43-11657
	1,5m	SAL-FB-12-RKW4-RS4-3L-1,5/P1	43-11654	SAL-FB-12-RKW5-RS5-3L-1,5/P1	43-11658
	3m	SAL-FB-12-RKW4-RS4-3L-3/P1	43-11655	SAL-FB-12-RKW5-RS5-3L-3/P1	43-11659

For custom length or quality levels contact factory

# SAL M12x1 CONNECTORS – FB FOR FOOD & BEVERAGE INDUSTRY

Female socket with wire, frontmounting, M16x1,5-thread



RoHS compliant

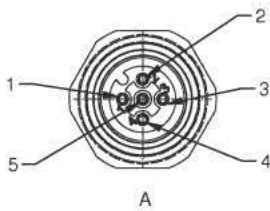
## TECHNICAL DATA

Rated voltage	4-pos	5-pos
	250V	60V
Current rating	4A at +40°C	
Pollution degree	3 / 2	
Insulation resistance	≥ 100 MΩ	
Degree of protection	IP69K in mated condition	
Temperature range	-30°C to +105°C	
Mating cycles	≥ 100	

## PRODUCT DRAWING

### Pin Configuration

4/5-pos



### Contact Assignment

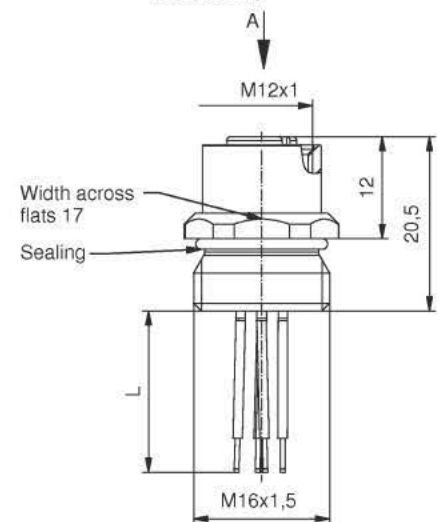
5-pos

- 1) brown
- 2) white
- 3) blue
- 4) black
- 5) green-yellow

5.1-pos

- 1) brown
- 2) white
- 3) blue
- 4) black
- 5) grey

### Dimension



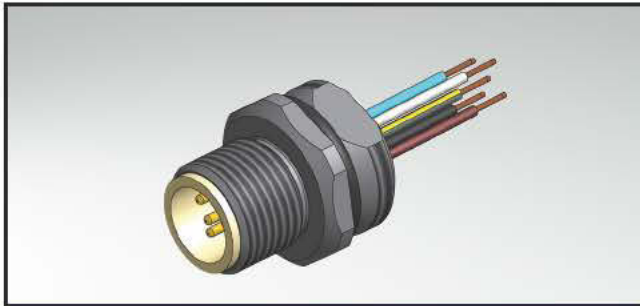
## ORDER DATA

Wire	Length/L	Description	4-pos Part-no.	Description	5-pos Part-no.
PVC, AWG24, UL	0,5m	SAL-FB-12-FK4-0,5	43-01018	SAL-FB-12-FK5-0,5	43-01019
	0,5m			SAL-FB-12-FK5.1-0,5	43-01047

Suitable hex nut in section 9

# SAL M12x1 CONNECTORS – FB FOR FOOD & BEVERAGE INDUSTRY

Male socket with wire, frontmounting, M16x1,5-thread



RoHS compliant

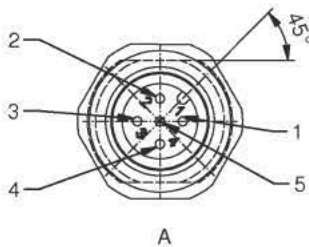
## TECHNICAL DATA

Rated voltage	4-pos	5-pos
	250V	60V
Current rating	4A at +40°C	
Pollution degree	3 / 2	
Insulation resistance	≥ 100 MΩ	
Degree of protection	IP69K in mated condition	
Temperature range	-30°C to +105°C	
Mating cycles	≥ 100	

## PRODUCT DRAWING

### Pin Configuration

4/5-pos



### Contact Assignment

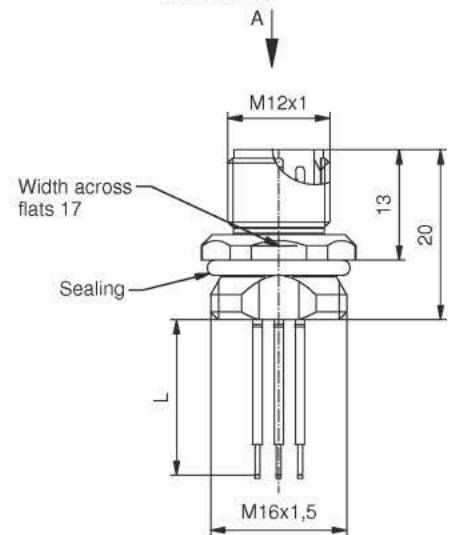
5-pos

1	brown
2	white
3	blue
4	black
5	green-yellow

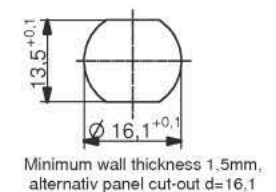
5.1-pos

1	brown
2	white
3	blue
4	black
5	grey

### Dimension



### Cut-Out Front Panel



## ORDER DATA

Wire	Length/L	Description	4-pos Part-no.	Description	5-pos Part-no.
PVC, AWG24, UL	0,5m	SAL-FB-12-FS4-0,5	43-01020	SAL-FB-12-FS5-0,5	43-01021
	0,5m			SAL-FB-12-FS5.1-0,5	43-01051

Suitable hex nut in section 9

# SAL M12x1 CONNECTORS – FB FOR FOOD & BEVERAGE INDUSTRY

Female socket with wire, frontmounting, PG9-thread



RoHS compliant

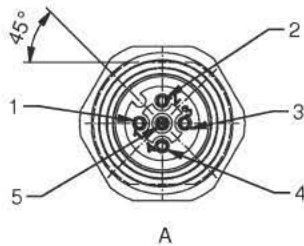
## TECHNICAL DATA

Rated voltage	4-pos	5-pos
	250V	60V
Current rating	4A at +40°C	
Pollution degree	3 / 2	
Insulation resistance	≥ 100 MΩ	
Degree of protection	IP69K in mated condition	
Temperature range	-30°C to +105°C	
Mating cycles	≥ 100	

## PRODUCT DRAWING

### Pin Configuration

4/5-pos



### Contact Assignment

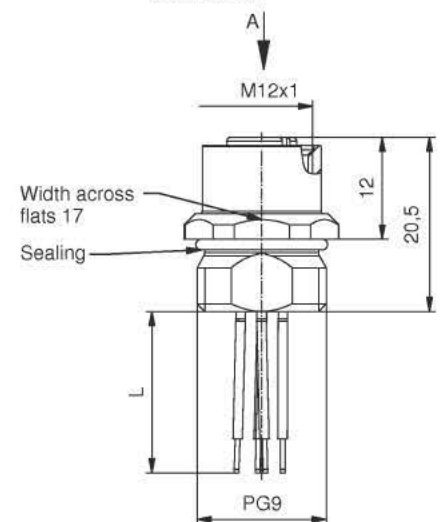
5-pos

- 1) brown
- 2) white
- 3) blue
- 4) black
- 5) green-yellow

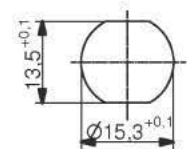
5.1-pos

- 1) brown
- 2) white
- 3) blue
- 4) black
- 5) grey

### Dimension



### Cut-Out Front Panel



Minimum wall thickness 1,5mm,  
alternativ panel cut-out d=15,3

## ORDER DATA

Wire	Length/L	Description	4-pos Part-no.	Description	5-pos Part-no.
PVC, AWG24, UL	0,5m	SAL-FB-12-FK4-0,5-9	43-01103	SAL-FB-12-FK5-0,5-9	43-01105
	0,5m			SAL-FB-12-FK5.1-0,5-9	43-01104

Suitable hex nut in section 9

# SAL M12x1 CONNECTORS – FB FOR FOOD & BEVERAGE INDUSTRY

Male socket with wire, frontmounting, PG9-thread



RoHS compliant

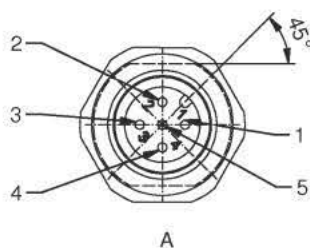
## TECHNICAL DATA

Rated voltage	4-pos	5-pos
	250V	60V
Current rating	4A at +40°C	
Pollution degree	3 / 2	
Insulation resistance	≥ 100 MΩ	
Degree of protection	IP69K in mated condition	
Temperature range	-30°C to +105°C	
Mating cycles	≥ 100	

## PRODUCT DRAWING

### Pin Configuration

4/5-pos

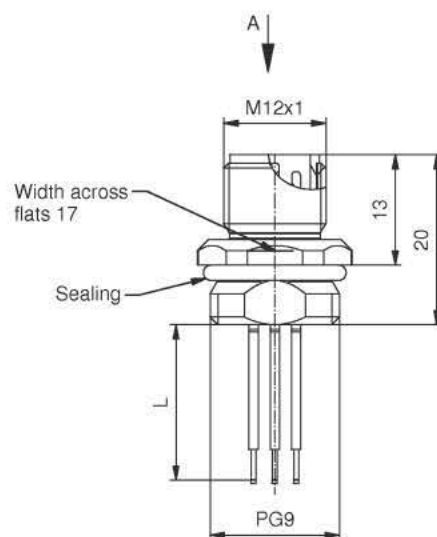


### Contact Assignment

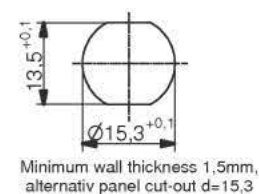
- 5-pos
- 1 brown
  - 2 white
  - 3 blue
  - 4 black
  - 5 green-yellow

- 5.1-pos
- 1 brown
  - 2 white
  - 3 blue
  - 4 black
  - 5 grey

### Dimension



### Cut-Out Front Panel



## ORDER DATA

Wire	Length/L	Description	4-pos Part-no.	Description	5-pos Part-no.
PVC, AWG24, UL	0,5m	SAL-FB-12-FS4-0,5-9	43-01106	SAL-FB-12-FS5-0,5-9	43-01108
				SAL-FB-12-FS5.1-0,5-9	43-01107

Suitable hex nut in section 9

# SENSOR-ACTOR-SPLITTER FOR FOOD & BEVERAGE INDUSTRY

8-fold Junction box with M23x1-connector, stainless steel housing,  
I/O-ports M12x1 4-pos+ground



RoHS compliant

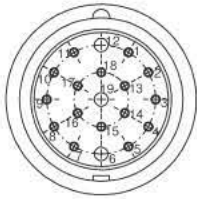
## TECHNICAL DATA

Rated voltage	8-fold/4+ground 30V
Current rating	2A per signal contact/ 9A total ampacity
Pollution degree	3 / 2
Insulation resistance	>= 100 MΩ
Degree of protection	IP67 in mated condition
Temperature range	-30°C to +85°C
Mating cycles	>= 100

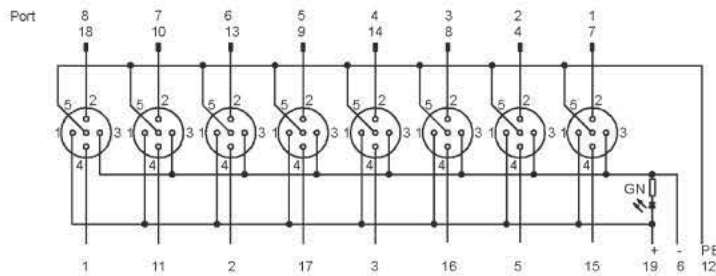
## PRODUCT DRAWING

### Pin Configuration

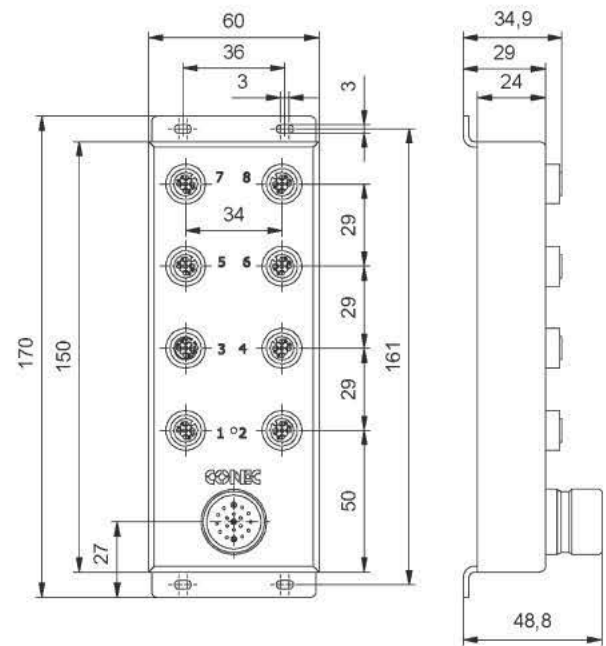
M23



### Contact Assignment



### Dimension



## ORDER DATA

Description	8-fold/4+ground Part-no.
SAL-FB-12-8FK5-1L	43-05005

# SENSOR-ACTOR-SPLITTER FOR FOOD & BEVERAGE INDUSTRY

8-fold Junction box with homerun-cable, stainless steel housing,  
I/O-ports M12x1 4-pos+ground



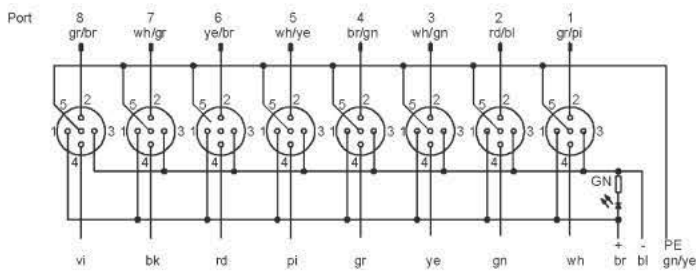
RoHS compliant

## TECHNICAL DATA

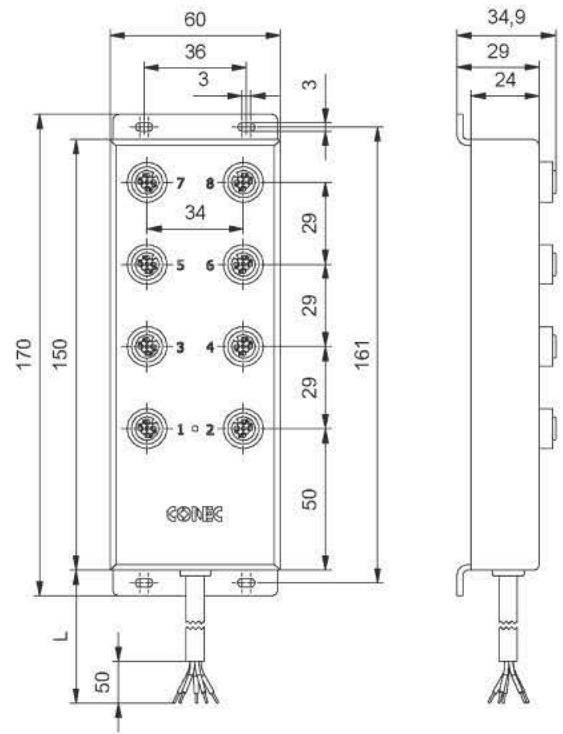
Rated voltage	8-fold/4+ground 30V
Current rating	2A per signal contact/ 9A total ampacity
Pollution degree	3 / 2
Insulation resistance	>= 100 MΩ
Degree of protection	IP67 in mated condition
Temperature range	-30°C to +80°C
Mating cycles	>= 100

## PRODUCT DRAWING

### Contact Assignment



### Dimension



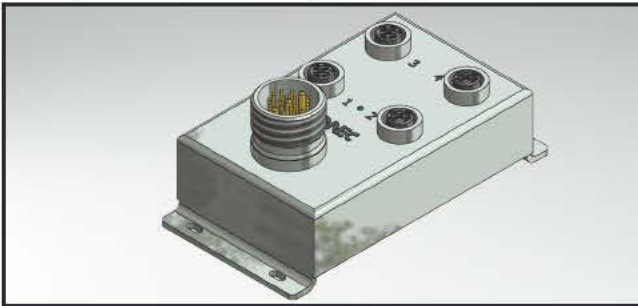
## ORDER DATA

Cable	Length / L	Description	8-fold / 4+ground Part-no.
PVC black	5m	SAL-FB-12-8FK5-1L-5/A2	43-05002
LiYY 16x0,34/3x1,0 mm <sup>2</sup>	10m	SAL-FB-12-8FK5-1L-10/A2	43-05003

For custom length or quality levels contact factory

# SENSOR-ACTOR-SPLITTER FOR FOOD & BEVERAGE INDUSTRY

4fold Junction box with M23x1-connector, stainless steel housing,  
I/O-ports M12x1 4-pos+ground



RoHS compliant

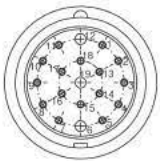
## TECHNICAL DATA

Rated voltage	4-fold/4+ground 30V
Current rating	2A per signal contact/ 9A total ampacity
Pollution degree	3 / 2
Insulation resistance	>= 100 MΩ
Degree of protection	IP67 in mated condition
Temperature range	-30°C to +85°C
Mating cycles	>= 100

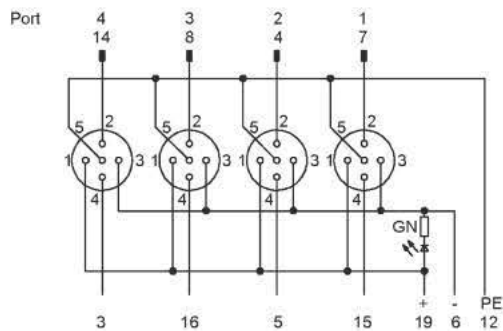
## PRODUCT DRAWING

### Pin Configuration

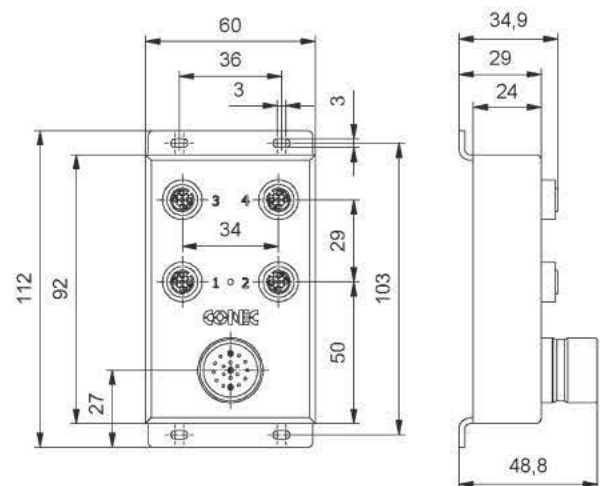
M23



### Contact Assignment



### Dimension



## ORDER DATA

Description	4-fold/4+ground Part-no.
SAL-FB-12-4FK5-1L	43-05004

# SENSOR-ACTOR-SPLITTER FOR FOOD & BEVERAGE INDUSTRY

4-fold Junction box with homerun-cable, stainless steel housing,  
I/O-ports M12x1 4-pos+ground



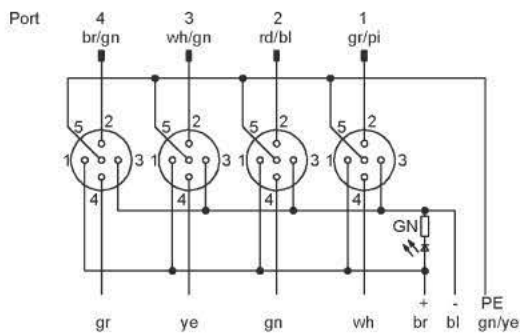
RoHS compliant

## TECHNICAL DATA

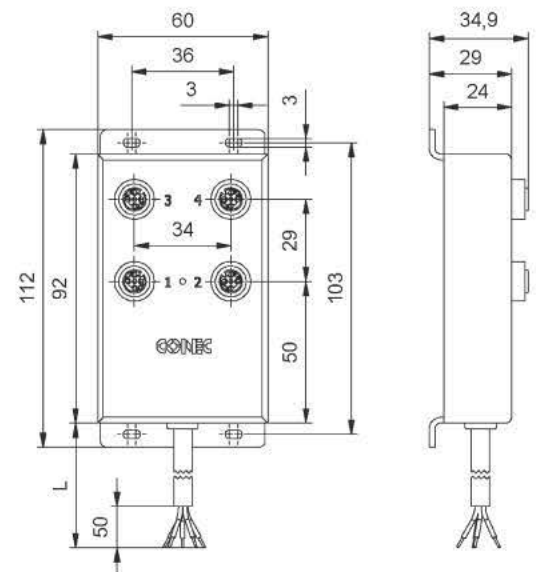
Rated voltage	4-fold/4+ground 30V
Current rating	2A per signal contact/ 9A total ampacity
Pollution degree	3 / 2
Insulation resistance	>= 100 MΩ
Degree of protection	IP67 in mated condition
Temperature range	-30°C to +80°C
Mating cycles	>= 100

## PRODUCT DRAWING

### Contact Assignment



### Dimension



## ORDER DATA

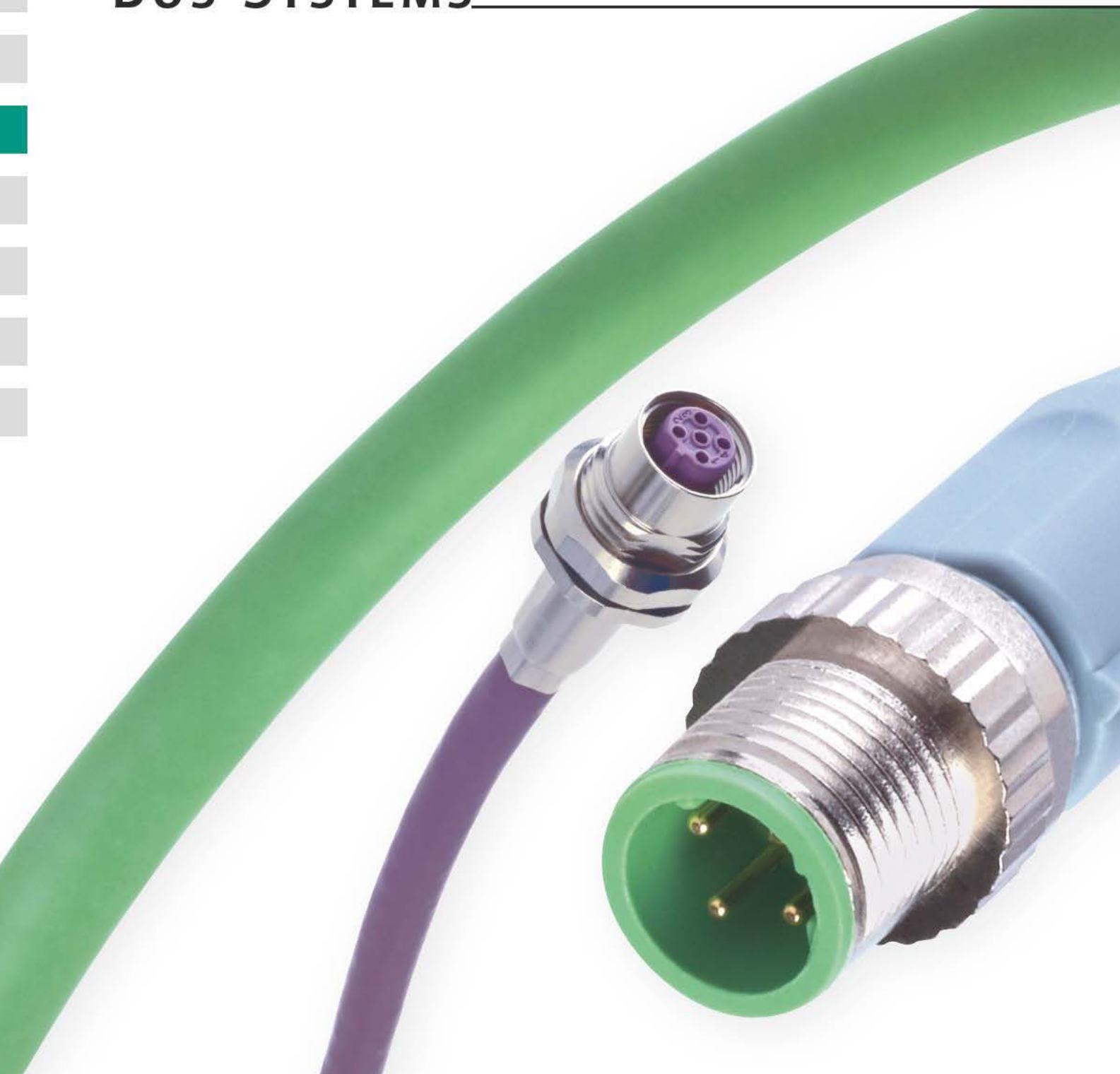
Cable	Length / L	Description	4-fold / 4+ground Part-no.
PVC black LiYY	5m	SAL-FB-12-4FK5-1L-5/A2	43-05000
8x0,34/3x1,0 mm <sup>2</sup>	10m	SAL-FB-12-4FK5-1L-10/A2	43-05001

For custom length or quality levels contact factory

SECTION 6

# BUS SYSTEMS

---





# SAL M12x1 SOCKETS – PROFIBUS DP/ INDUSTRIAL ETHERNET 100MHz

## Nomenclature

**S A L - 1 2 B - F K P W 4 - 05 - 9 /**

**SAL**  
Sensor Actor Line

**Installation size**  
12 = M12x1                      45 = RJ45

**Coding**  
B = B-coding  
D = D-coding  
X = X-coding

**Building**  
F = Socket                      S = Special connector

**Configuration**  
K = Female connector  
S = Male connector

**Assembly**  
= Frontmounting  
P = Positioning possible, frontmounting  
H = Backmounting

**Building**  
= Axial  
W = Angled

**Number of poles**  
4 = 4-pos  
8 = 8-pos

**Type of connection**  
P5,5 = Length [mm]                      X5,5 = Installation height [mm]  
P6,75 = Length [mm]                      X7,2 = Installation height [mm]  
P12 = Length [mm]                      X10 = Installation height [mm]  
XX = Length of wire [m]

**Screw connection**  
12 = M12x1  
         = M16x1,5  
9 = PG9

**Cable quality**  
G4 = TPU, violet, UL, AWG 22  
G5 = PVC, violet, UL, AWG 22  
G6 = TPU, green, UL, AWG 22

WD = Wall busting

# SAL M12x1 SOCKETS – PROFIBUS DP/ INDUSTRIAL ETHERNET 100MHz

## Productspecification

Basic material	
Contact	CuZn
Contact plating	Ni, Au gal.
Contact carrier	PBT GF, UL 94 / PA GF, UL 94
Sealing	FPM / NBR
Counter nut	CuZn, Ni
Socket housing	CuZn, Ni
Grouting	Polyurethane-resin, UL 94
Shroud	Spring steel
Shroud surface	Sn gal.

Technical Data	
Information on the following pages are basing on below mentioned IEC-standards.	
Rated voltage	IEC 61076-2-101
Current rating	IEC 61076-2-101
Insulation resistance	IEC 60512
Pollution degree	IEC 60664-1
Degree of protection	IEC 60529
Temperature range	IEC 60664-1
Mating cycles	IEC 60512-9a

Recommended torque: 1-1,2 Nm

Technical subject to change without notice.

# SAL M12x1 CONNECTORS OVERMOULDED – PROFIBUS DP/ INDUSTRIAL ETHERNET 100MHz/ETHERNET 10 GIGABIT

## Nomenclature

**S A L - 1 2 B - R K W 4 - 3 / G 4**

**SAL**  
Sensor Actor Line

**Installation size**  
12 = M12x1

**Coding**  
B = B-coding  
D = D-coding  
X = X-coding

**Building**  
R = Circular connector

**Configuration**  
K = Female connector  
S = Male connector

**Building**  
= Axial  
W = Angled  
A = Axial, without cable

**Number of poles**  
4 = 4-pos  
8 = 8-pos

**Cable length**  
XX = Length [m]

**Cable quality**  
G4 = TPU, violet, UL, AWG 22  
G5 = PVC, violet, UL, AWG 22  
G6 = TPU, green, UL, AWG 22  
G7 = TPU, violet, draigchain-ready, UL, AWG 24  
GG = TPU, waterblue, S-FTP, CAT 6, AWG 26

# SAL M12x1 CONNECTORS OVERMOULDED – PROFIBUS DP/ INDUSTRIAL ETHERNET 100MHZ/ETHERNET 10 GIGABIT

## Productspecification

Basic material	
Contact	CuZn / CuSn
Contact plating	Ni, Au gal.
Contact carrier	TPU GF, UL 94 / PA, UL 94 / PP
Moulding body	TPU, UL 94, grau
Sealing	FPM
Coupling nut/-screw	GD-Zn, Ni

Technical Data	
Information on the following pages are basing on below mentioned IEC-standards.	
Rated voltage	IEC 61076-2-101      X-coding: IEC 61076-2-100
Current rating	IEC 61076-2-101      X-coding: IEC 61076-2-100
Insulation resistance	IEC 60512
Pollution degree	IEC 60664-1
Degree of protection	IEC 60529
Temperature range	IEC 60664-1
Mating cycles	IEC 61076-2-101

Recommended torque: 0,6 Nm

Technical subject to change without notice.

# SAL M12x1 Y-SPLITTER – PROFIBUS DP

## Nomenclature

**S A L - 1 2 B - R S 5 - 1 2 - R K 5 - 1 2 - R S 5**

**SAL**  
Sensor Actor Line

**CONNECTION**

**Installation size**  
12 = M12x1

**Coding**  
B = B-coding

**Building**  
R = Circular connector

**Configuration**  
S = Male connector  
K = Female connector

**Number of poles**  
5 = 5-pos

**ALLOCATION**

**Installation size**  
= M12x1

**Building**  
R = Circular connector

**Configuration**  
K = Female connector  
S = Male connector

**Number of poles**  
5 = 5-pos

**Installation size**  
= M12x1

**Building**  
R = Circular connector

**Configuration**  
S = Male connector  
F = Female connector

**Number of poles**  
5 = 5-pos

# SAL M12x1 Y-SPLITTER – PROFIBUS DP

## Products specification

Basic material	
Contact	CuZn
Contact plating	Ni, Au gal.
Contact carrier	PBT GF, UL 94
Moulding body	Thermoplastic elastomere
Sealing	FPM

## Technical Data

Information on the following pages are basing on below mentioned IEC-standards.

Rated voltage	IEC 61076-2-101
Current rating	IEC 61076-2-101
Insulation resistance	IEC 60512
Pollution degree	IEC 60664-1
Degree of protection	IEC 60529
Temperature range	IEC 60664-1
Mating cycles	IEC 60512-9a

Technical subject to change without notice.

# SAL M12x1 CONNECTORS FIELD-ATTACHABLE – PROFIBUS DP

## Nomenclature

S A L - 1 2 B - R K C 4 - S 8 /

**SAL**  
Sensor Actor Line

**Installation size**  
12 = M12x1

**Coding**  
B = B-coding

**Building**  
R = Circular connector

**Configuration**  
K = Female connector  
S = Male connector

**Building**  
= Axial

**Building**  
C = Field-attachable

**Number of poles**  
4 = 4-pos

**Type of connection**  
S = Screw termination  
K = Clamp connection

**max. cable outer diameter**  
8 = 6-8,5mm Cable sealing

**Terminal cross section**  
= max. 0,5mm<sup>2</sup>  
075 = max. 0,75mm<sup>2</sup>

# SAL M12x1 CONNECTORS FIELD-ATTACHABLE – PROFIBUS DP

## Productspecification

Basic material	
Contact	CuZn
Contact plating	Ni, Au gal.
Contact carrier	PA6, UL 94
Housing	GD-Zn, Ni
Clamp-/screw contact	Stainless steel, nickel-plated
Screw termination	CuZn/Ni, Sn gal.
Cable sealing	Elastomere
Sealing	FPM / NBR
Coupling nut/-screw	GD-Zn, Ni

Technical Data	
Information on the following pages are basing on below mentioned IEC-standards.	
Rated voltage	IEC 61076-2-101
Current rating	IEC 61076-2-101
Insulation resistance	IEC 60512
Pollution degree	IEC 60664-1
Degree of protection	IEC 60529
Temperature range	IEC 60664-1
Mating cycles	IEC 60512-9a

Recommended torque: 0,6 Nm

Technical subject to change without notice.

# SAL D-SUB

## Nomenclature

S A L - D S - S K S W 9 F

**SAL**  
Sensor Actor Line

**Installation size**  
DS = D-SUB

**Building**  
S = Specific

**Building**  
K = Without programming interface  
K = With programming interface

**Configuration**  
S = Male connector

**Building**  
W = Axial  
W = Angled

**Number of poles**  
9 = 9-pos

**Cable-connection**  
F = Quick connection IDC, inflexible conductor  
F = Quick connection IDC, flexible conductor  
S = Screw termination

# SAL D-SUB

## Products specification

Basic material	
Contact D-SUB	CuZn
Contact plating D-SUB	Ni, Au gal.
IDC-Contact	CuSn
Housing	Thermoplastic chrome-plated
Technical Data	
Information on the following pages are basing on below mentioned IEC-standards.	
Degree of protection	IEC 60529
Temperature range	IEC 60664-1

Technical subject to change without notice.

# SAL M12x1/7/8" CONNECTORS OVERMOULDED/ CAN-Bus/DEVICENET

## Nomenclature

**S A L - D N - 1 2 - R K 4 - 3 / G C**

**SAL**  
Sensor Actor Line

**BUS**  
CN = CAN-Bus  
DN = DeviceNet

**Installation size**  
12 = M12x1  
7/8 = 7/8"

**Coding**  
= A-coding  
S = A-coding shielded

**Building**  
R = Circular connector

**Configuration**  
K = Female connector  
S = Male connector

**Building**  
= Axial  
W = Angled  
A = Axial, without cable

**Number of poles**  
4 = 4-pos  
5 = 5-pos

**Cable length**  
XX = Length [m]

**Cable quality**  
GC = PVC, grey, UL  
GJ = TPU, violet, UL  
GU = PVC, violet

# SAL M12x1/7/8" CONNECTORS OVERMOULDED/ CAN-BUS/DEVICENET

## Products specification

Basic material	
Contact	CuZn
Contact plating	Ni, Au gal.
Contact carrier	TPU GF, UL 94 / PA UL
Moulding body	TPU, UL94, grey
Sealing	FPM
Coupling nut/-screw	GD-Zn, Ni / CuZn, Ni

## Technical Data

Information on the following pages are basing on below mentioned IEC-standards.

	7/8"	M12x1
Rated voltage	IEC 60664-1	IEC 61076-2-101
Overvoltage category	IEC 60664-1 2	
Bemessungsstoßspannung	IEC 60664-1 2,7kV	
Current rating	IEC 60512-3	IEC 61076-2-101
Insulation resistance		IEC 60512
Pollution degree		IEC 60664-1
Degree of protection		IEC 60529
Temperature range		IEC 60664-1
Mating cycles		IEC 60512-9a

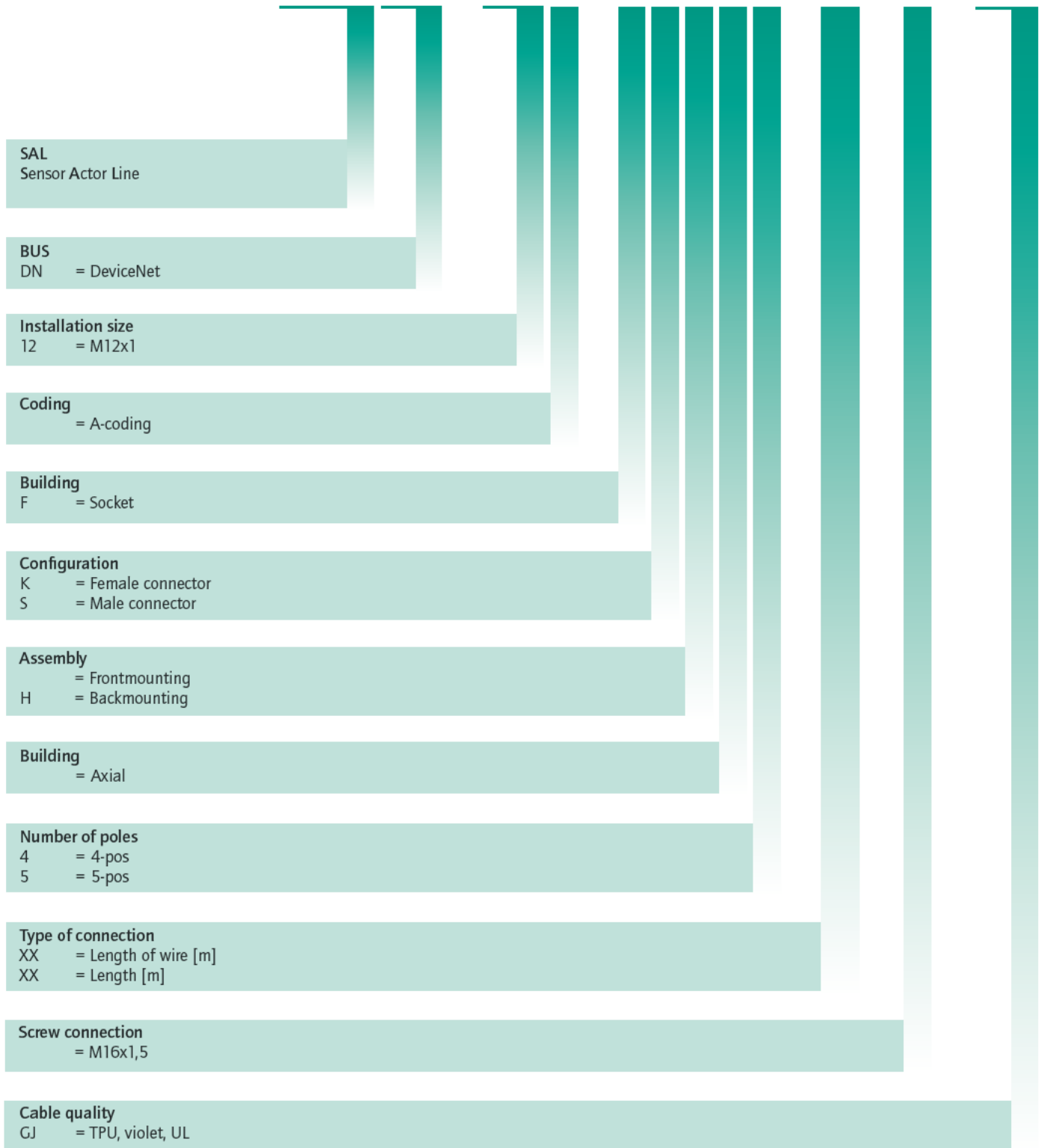
Recommended torque: 0,6 Nm

Technical subject to change without notice.

# SAL M12x1 SOCKETS/CAN-Bus/DEVICENET

## Nomenclature

**S A L - D N - 1 2 - F K P 4 - 0,5 - 9 / G J**



# SAL M12x1 SOCKETS/CAN-BUS/DEVICENET

## Productspecification

Basic material	
Contact	CuZn
Contact plating	Ni, Au gal.
Contact carrier	PBT GF, UL 94
Sealing	FPM /NBR
Counter nut	CuZn, Ni
Socket housing	CuZn, Ni
Grouting	Polyurethane-resin, UL 94

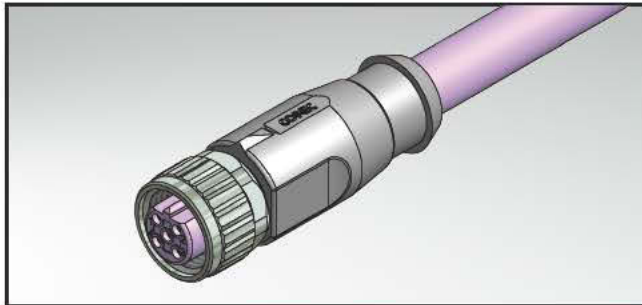
Technical Data	
Information on the following pages are basing on below mentioned IEC-standards.	
Rated voltage	IEC 61076-2-101
Current rating	IEC 61076-2-101
Insulation resistance	IEC 60512
Pollution degree	IEC 60664-1
Degree of protection	IEC 60529
Temperature range	IEC 60664-1
Mating cycles	IEC 60512-9a

Recommended torque: 1,2 Nm

Technical subject to change without notice.

# SAL M12x1 CONNECTORS – B-CODING PROFIBUS DP

Female connector, axial with 360°-shielding



RoHS compliant

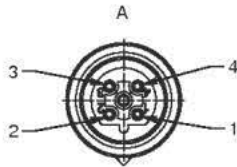
## TECHNICAL DATA

Rated voltage	4-pos 160V
Current rating	4A at +40°C
Pollution degree	3 / 2
Insulation resistance	>= 100 MΩ
Degree of protection	IP67 in mated condition
Temperature range	-30°C at +60°C (Cable G4) -30°C at +80°C
Mating cycles	>= 100

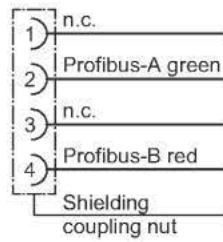
## PRODUCT DRAWING

### Pin Configuration

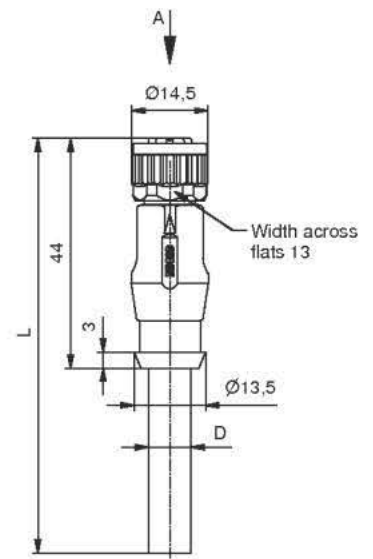
4-pos



### Contact Assignment



### Dimension



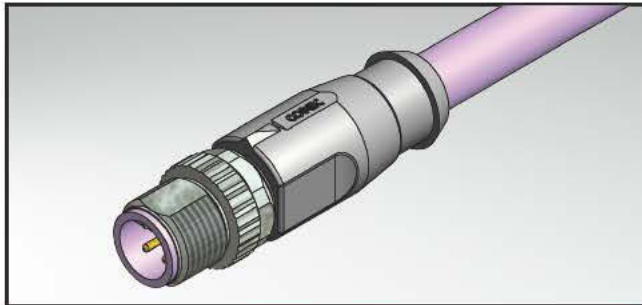
## ORDER DATA

Cable	Length/L	Description	4-pos Part-no.
PVC UL violet (RAL4001) O2YSY(ST)CY 2xAWG22	2m	SAL-12B-RK4.1-2/G5	43-11601
	3m	SAL-12B-RK4.1-3/G5	43-11602
	5m	SAL-12B-RK4.1-5/G5	43-11603
	10m	SAL-12B-RK4.1-10/G5	43-11604
TPU UL violet (RAL4001) O2YSH(ST)CH 2xAWG22	2m	SAL-12B-RK4.1-2/G4	43-10932
	3m	SAL-12B-RK4.1-3/G4	43-10933
	5m	SAL-12B-RK4.1-5/G4	43-10934
	10m	SAL-12B-RK4.1-10/G4	43-10935
TPE UL, highflexible violet (RAL4001) O2YS(ST)C11Y 2xAWG24	2m	SAL-12B-RK4.1-2/G7	43-11605
	3m	SAL-12B-RK4.1-3/G7	43-11606
	5m	SAL-12B-RK4.1-5/G7	43-11607
	10m	SAL-12B-RK4.1-10/G7	43-11608

For custom length or quality levels contact factory

# SAL M12x1 CONNECTORS – B-CODING PROFIBUS DP

Male connector, axial with 360°-shielding



RoHS compliant

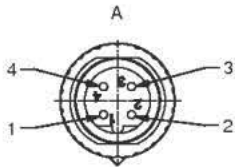
## TECHNICAL DATA

Rated voltage	4-pos 160V
Current rating	4A at +40°C
Pollution degree	3 / 2
Insulation resistance	>= 100 MΩ
Degree of protection	IP67 in mated condition
Temperature range	-30°C at +60°C (Cable G4) -30°C at +80°C
Mating cycles	>= 100

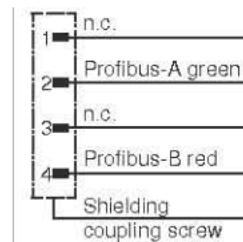
## PRODUCT DRAWING

### Pin Configuration

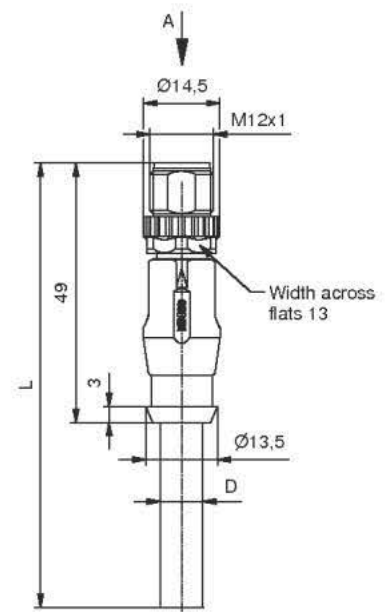
4-pos



### Contact Assignment



### Dimension



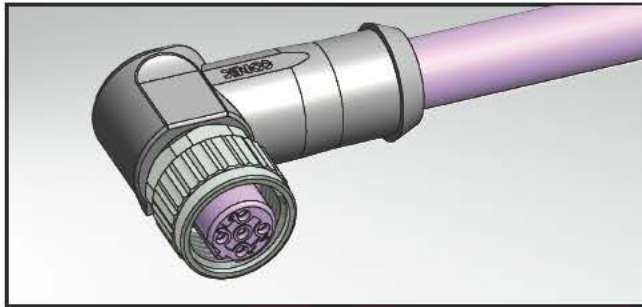
## ORDER DATA

Cable	Length/L	Description	4-pos Part-no.
PVC UL violet (RAL4001) O2YSY(ST)CY 2xAWG22	2m	SAL-12B-RS4.1-2/G5	43-11609
	3m	SAL-12B-RS4.1-3/G5	43-11610
	5m	SAL-12B-RS4.1-5/G5	43-11611
	10m	SAL-12B-RS4.1-10/G5	43-11612
TPU UL violet (RAL4001) O2YSH(ST)CH 2xAWG22	2m	SAL-12B-RS4.1-2/G4	43-10936
	3m	SAL-12B-RS4.1-3/G4	43-10937
	5m	SAL-12B-RS4.1-5/G4	43-10938
	10m	SAL-12B-RS4.1-10/G4	43-10939
TPE UL, highflexible violet (RAL4001) O2YS(ST)C11Y 2xAWG24	2m	SAL-12B-RS4.1-2/G7	43-11613
	3m	SAL-12B-RS4.1-3/G7	43-11614
	5m	SAL-12B-RS4.1-5/G7	43-11615
	10m	SAL-12B-RS4.1-10/G7	43-11616

For custom length or quality levels contact factory

# SAL M12x1 CONNECTORS – B-CODING PROFIBUS DP

Female connector, angled with 360°-shielding



RoHS compliant

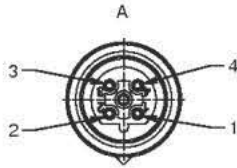
## TECHNICAL DATA

Rated voltage	4-pos 160V
Current rating	4A at +40°C
Pollution degree	3 / 2
Insulation resistance	>= 100 MΩ
Degree of protection	IP67 in mated condition
Temperature range	-30°C at +60°C (Cable G4) -30°C at +80°C
Mating cycles	>= 100

## PRODUCT DRAWING

### Pin Configuration

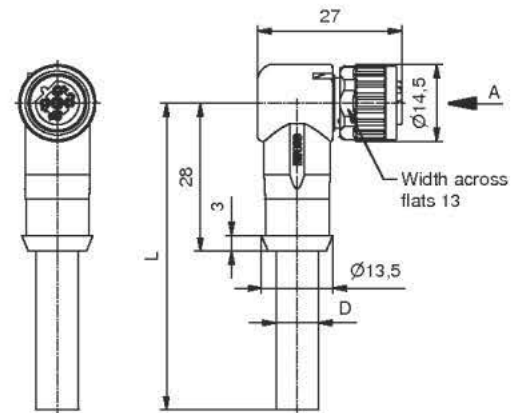
4-pos



### Contact Assignment

1	n.c.
2	Profibus-A green
3	n.c.
4	Profibus-B red
Shielding coupling nut	

### Dimension



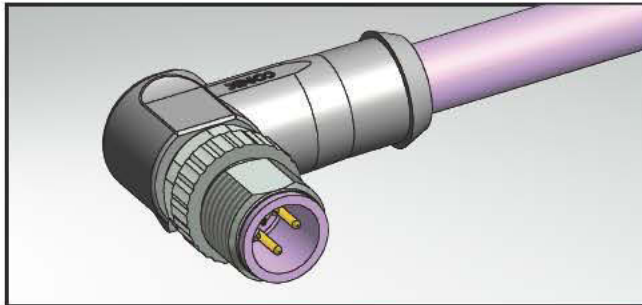
## ORDER DATA

Cable	Length / L	Description	4-pos Part-no.
PVC UL violet (RAL4001) 02YSY(ST)CY 2xAWG22	2m	SAL-12B-RKW4.1-2 / G5	43-12471
	3m	SAL-12B-RKW4.1-3 / G5	43-12472
	5m	SAL-12B-RKW4.1-5 / G5	43-12473
	10m	SAL-12B-RKW4.1-10 / G5	43-12474
TPU UL violet (RAL4001) 02YSH(ST)CH 2xAWG22	2m	SAL-12B-RKW4.1-2 / G4	43-12475
	3m	SAL-12B-RKW4.1-3 / G4	43-12476
	5m	SAL-12B-RKW4.1-5 / G4	43-12477
	10m	SAL-12B-RKW4.1-10 / G4	43-12478
TPE UL, highflexible violet (RAL4001) 02YS(ST)C11Y 2xAWG24	2m	SAL-12B-RKW4.1-2 / G7	43-12479
	3m	SAL-12B-RKW4.1-3 / G7	43-12480
	5m	SAL-12B-RKW4.1-5 / G7	43-12481
	10m	SAL-12B-RKW4.1-10 / G7	43-12482

For custom length or quality levels contact factory

# SAL M12x1 CONNECTORS – B-CODING PROFIBUS DP

Male connector, angled with 360°-shielding



RoHS compliant

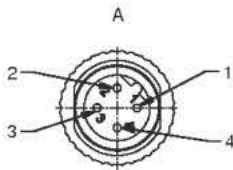
## TECHNICAL DATA

Rated voltage	4-pos 160V
Current rating	4A at +40°C
Pollution degree	3 / 2
Insulation resistance	≥ 100 MΩ
Degree of protection	IP67 in mated condition
Temperature range	-30°C at +60°C (Cable G4) -30°C at +80°C
Mating cycles	≥ 100

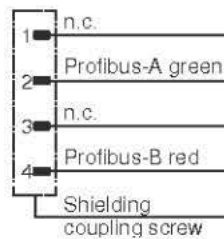
## PRODUCT DRAWING

### Pin Configuration

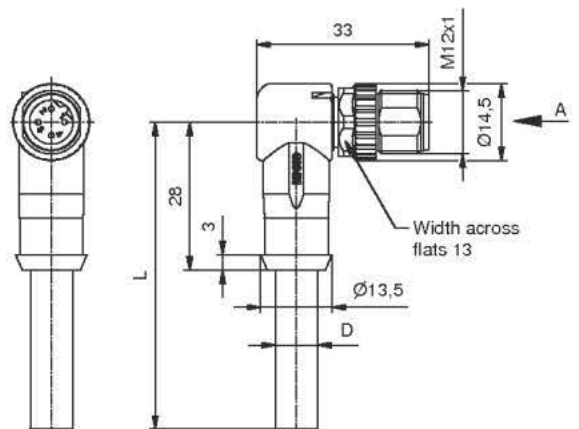
4-pos



### Contact Assignment



### Dimension



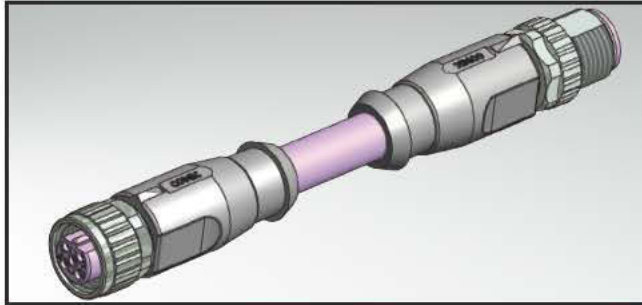
## ORDER DATA

Cable	Length/L	Description	4-pos Part-no.
PVC UL violet (RAL4001) O2YSY(ST)CY 2xAWG22	2m	SAL-12B-RSW4.1-2/G5/A1090	43-14930
	3m	SAL-12B-RSW4.1-3/G5/A1090	43-14931
	5m	SAL-12B-RSW4.1-5/G5/A1090	43-14932
	10m	SAL-12B-RSW4.1-10/G5/A1090	43-14933
TPU UL violet (RAL4001) O2YSH(ST)CH 2xAWG22	2m	SAL-12B-RSW4.1-2/G4/A1090	43-14934
	3m	SAL-12B-RSW4.1-3/G4/A1090	43-14935
	5m	SAL-12B-RSW4.1-5/G4/A1090	43-14936
	10m	SAL-12B-RSW4.1-10/G4/A1090	43-14937
	2m	SAL-12B-RSW4.1-2/G7/A1090	43-14938
TPE UL, highflexible violet (RAL4001) O2YS(ST)C11Y 2xAWG24	3m	SAL-12B-RSW4.1-3/G7/A1090	43-14939
	5m	SAL-12B-RSW4.1-5/G7/A1090	43-14940
	10m	SAL-12B-RSW4.1-10/G7/A1090	43-14941

For custom length or quality levels contact factory

# SAL M12x1 CONNECTORS – B-CODING PROFIBUS DP

Connecting cable with 360°-shielding female connector, axial – male connector, axial



RoHS compliant

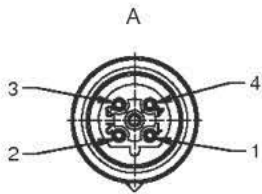
## TECHNICAL DATA

Rated voltage	4-pos 160V
Current rating	4A at +40°C
Pollution degree	3 / 2
Insulation resistance	>= 100 MΩ
Degree of protection	IP67 in mated condition
Temperature range	-30°C at +60°C (Cable G4) -30°C at +80°C
Mating cycles	>= 100

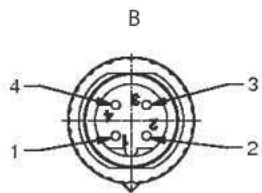
## PRODUCT DRAWING

### Pin Configuration

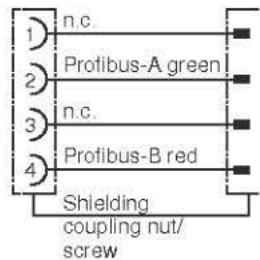
4-pos female connector



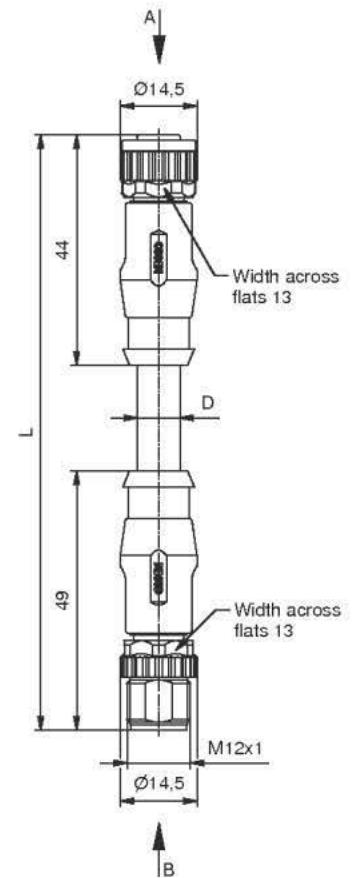
4-pos male connector



### Contact Assignment



### Dimension



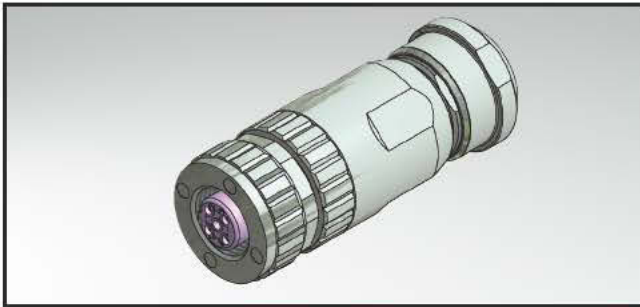
## ORDER DATA

Cable	Length/L	Description	4-pos Part-no.
PVC UL violet (RAL4001) 02YSY(ST)CY 2xAWG22	0,3m	SAL-12B-RK4.1-RS4.1-0,3/G5	43-11617
	0,6m	SAL-12B-RK4.1-RS4.1-0,6/G5	43-11618
	1,5m	SAL-12B-RK4.1-RS4.1-1,5/G5	43-11619
	3m	SAL-12B-RK4.1-RS4.1-3/G5	43-11620
TPU UL violet (RAL4001) 02YSH(ST)CH 2xAWG22	0,3m	SAL-12B-RK4.1-RS4.1-0,3/G4	43-10940
	0,6m	SAL-12B-RK4.1-RS4.1-0,6/G4	43-10941
	1,5m	SAL-12B-RK4.1-RS4.1-1,5/G4	43-10942
	3m	SAL-12B-RK4.1-RS4.1-3/G4	43-10943
TPE UL, highflexible violet (RAL4001) 02YS(ST)C11Y 2xAWG24	0,3m	SAL-12B-RK4.1-RS4.1-0,3/G7	43-11228
	0,6m	SAL-12B-RK4.1-RS4.1-0,6/G7	43-11621
	1,5m	SAL-12B-RK4.1-RS4.1-1,5/G7	43-11622
	3m	SAL-12B-RK4.1-RS4.1-3/G7	43-11623

For custom length or quality levels contact factory

# SAL M12x1 CONNECTORS – B-CODING PROFIBUS DP

Female connector, axial, field-attachable, 360°-shielding, with screw termination



RoHS compliant

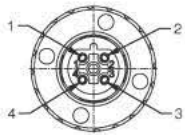
## TECHNICAL DATA

Rated voltage	4-pos 250V
Current rating	4A at +40°C
Pollution degree	3 / 2
Insulation resistance	>= 100 MΩ
Degree of protection	IP67 in mated condition
Temperature range	-30°C to +85°C
Mating cycles	>= 100

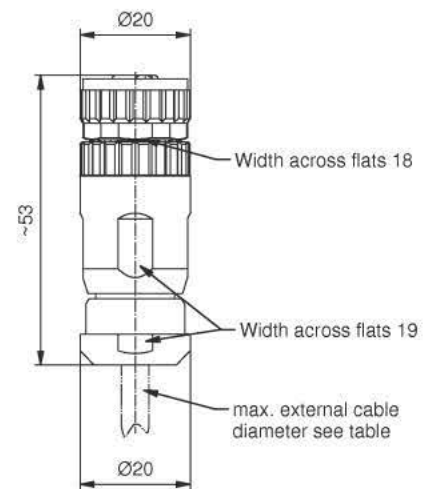
## PRODUCT DRAWING

### Pin Configuration

4-pos



### Dimension

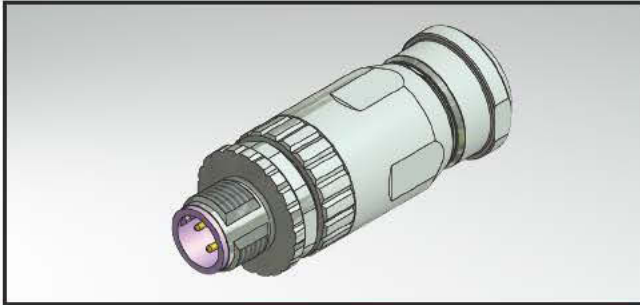


## ORDER DATA

Cable outer diameter	Description	4-pos Part-no.
max. Ø4-8mm	SAL-12B-RKC4-S/075	43-00136

# SAL M12x1 CONNECTORS – B-CODING PROFIBUS DP

Male connector, axial, field-attachable, 360°-shielding, with screw termination



RoHS compliant

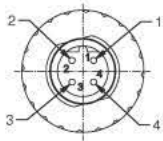
## TECHNICAL DATA

Rated voltage	4-pos 250V
Current rating	4A at +40°C
Pollution degree	3 / 2
Insulation resistance	≥ 100 MΩ
Degree of protection	IP67 in mated condition
Temperature range	-30°C to +85°C
Mating cycles	≥ 100

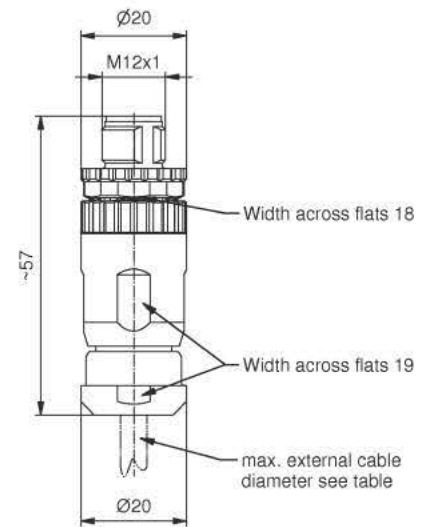
## PRODUCT DRAWING

### Pin Configuration

4-pos



### Dimension



## ORDER DATA

Cable outer diameter	Description	4-pos Part-no.
max. Ø4-8mm	SAL-12B-RSC4-S/075	43-00137

# SAL M12x1 CONNECTORS – B-CODING PROFIBUS DP

Female connector, axial, field-attachable, 360°-shielding, with screw termination



RoHS compliant

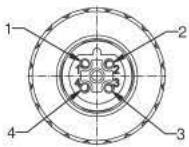
## TECHNICAL DATA

Rated voltage	4-pos 250V
Current rating	4A at +40°C
Pollution degree	3 / 2
Insulation resistance	>= 100 MΩ
Degree of protection	IP67 in mated condition
Temperature range	-30°C to +85°C
Mating cycles	>= 100

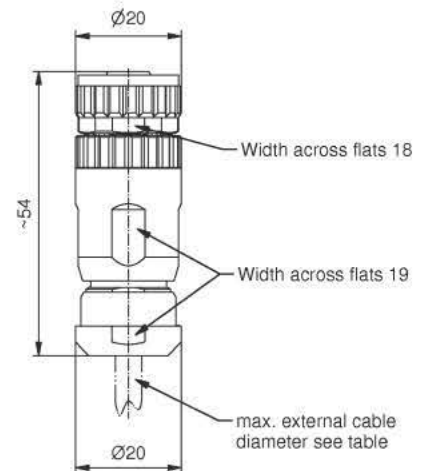
## PRODUCT DRAWING

### Pin Configuration

4-pos



### Dimension

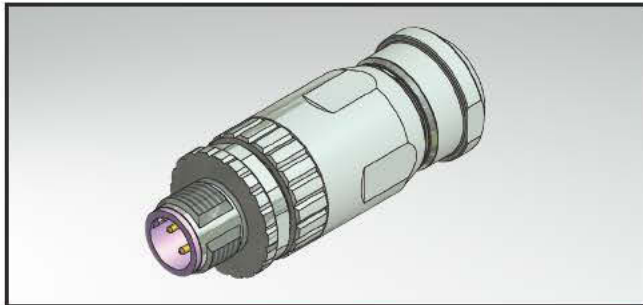


## ORDER DATA

Cable outer diameter	Description	4-pos Part-no.
max. Ø6-8,5mm	SAL-12B-RKC4-S8	43-00075

# SAL M12x1 CONNECTORS – B-CODING PROFIBUS DP

Male connector, axial, field-attachable, 360°-shielding, with screw termination



RoHS compliant

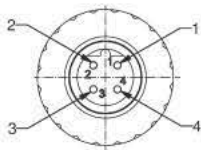
## TECHNICAL DATA

Rated voltage	4-pos 250V
Current rating	4A at +40°C
Pollution degree	3 / 2
Insulation resistance	>= 100 MΩ
Degree of protection	IP67 in mated condition
Temperature range	-30°C to +85°C
Mating cycles	>= 100

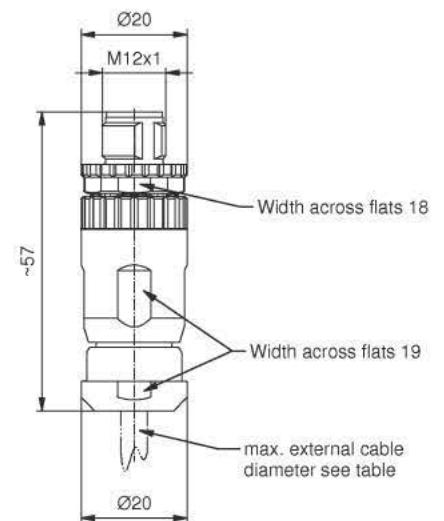
## PRODUCT DRAWING

### Pin Configuration

4-pos



### Dimension

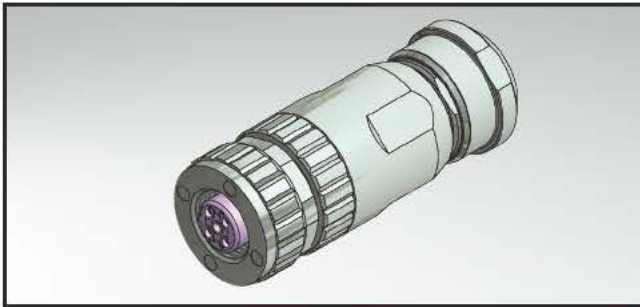


## ORDER DATA

Cable outer diameter	Description	4-pos Part-no.
max. Ø6-8,5mm	SAL-12B-RSC4-S8	43-00079

# SAL M12x1 CONNECTORS – B-CODING PROFIBUS DP

Female connector, axial, field-attachable, 360°-shielding, with clamp connection



RoHS compliant

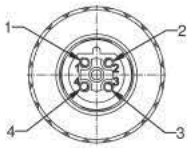
## TECHNICAL DATA

Rated voltage	4-pos 250V
Current rating	4A at +40°C
Pollution degree	3 / 2
Insulation resistance	>= 100 MΩ
Degree of protection	IP67 in mated condition
Temperature range	-30°C to +85°C
Mating cycles	>= 100

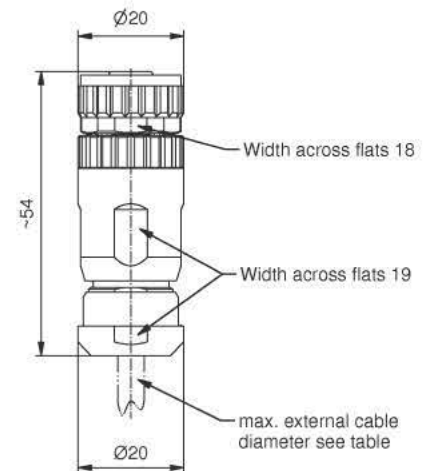
## PRODUCT DRAWING

### Pin Configuration

4-pos



### Dimension

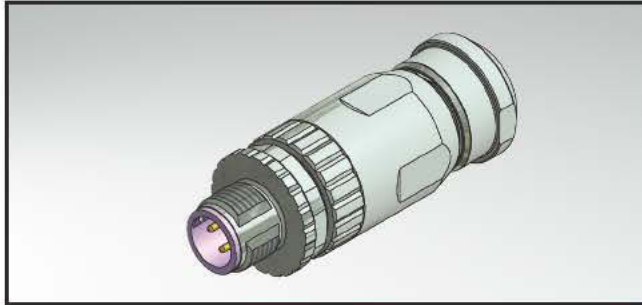


## ORDER DATA

Cable outer diameter	Description	4-pos Part-no.
max. Ø6-8,5mm	SAL-12B-RKC4-K8	43-00073

# SAL M12x1 CONNECTORS – B-CODING PROFIBUS DP

Male connector, axial, field-attachable, 360°-shielding, with clamp connection



RoHS compliant

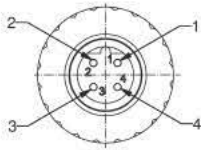
## TECHNICAL DATA

Rated voltage	4-pos 250V
Current rating	4A at +40°C
Pollution degree	3 / 2
Insulation resistance	>= 100 MΩ
Degree of protection	IP67 in mated condition
Temperature range	-30°C to +85°C
Mating cycles	>= 100

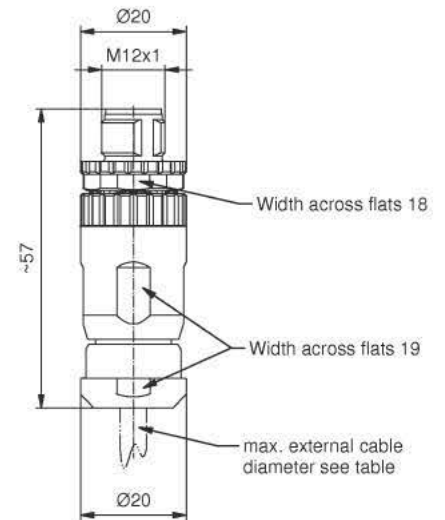
## PRODUCT DRAWING

### Pin Configuration

4-pos



### Dimension



## ORDER DATA

Cable outer diameter	Description	4-pos Part-no.
max. Ø6-8,5mm	SAL-12B-RSC4-K8	43-00077

# SAL Y-SPLITTER PROFIBUS DP

Male connector M12x1 – Female connector M12x1 – Male connector M12x1



RoHS compliant

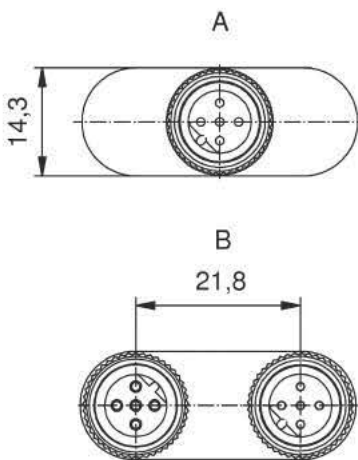
## TECHNICAL DATA

Rated voltage	5-pos 60V
Current rating	4A at +40°C
Pollution degree	3 / 2
Insulation resistance	$\geq 100 \text{ M}\Omega$
Degree of protection	IP65 in mated condition
Temperature range	-30°C to +85°C
Mating cycles	$\geq 100$

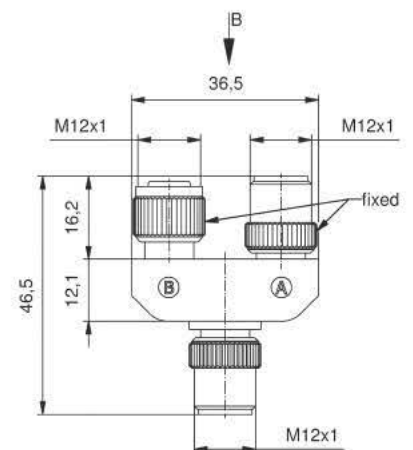
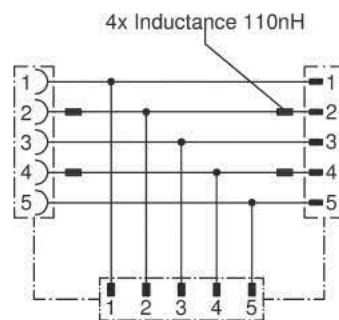
## PRODUCT DRAWING

### Pin Configuration

5-pos



### Contact Assignment

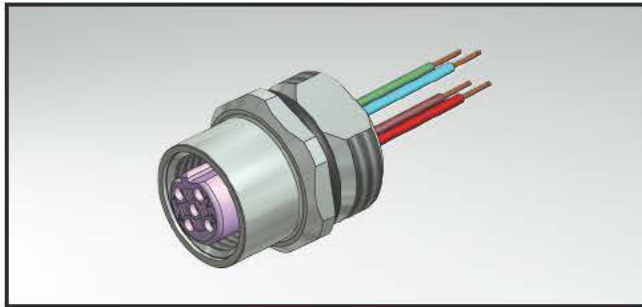


## ORDER DATA

Description	5-pos Part-no.
SAL-12B-RS5-RK5-RS5	43-11210

# SAL M12x1 CONNECTORS – B-CODING PROFIBUS DP

Female socket with wire, frontmounting, M16x1,5-thread



RoHS compliant

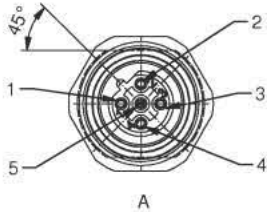
## TECHNICAL DATA

Rated voltage	4-pos 250V
Current rating	4A at +40°C
Pollution degree	3 / 2
Insulation resistance	≥ 100 MΩ
Degree of protection	IP67 in mated condition
Temperature range	-30°C to +80°C
Mating cycles	≥ 100

## PRODUCT DRAWING

### Pin Configuration

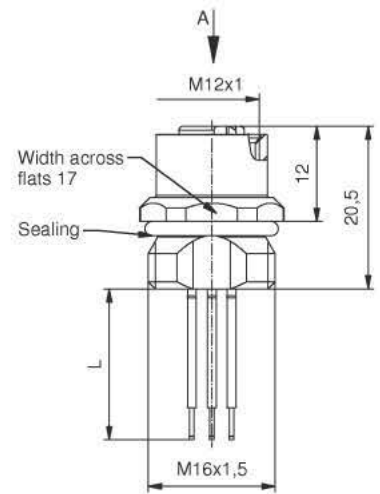
4-pos



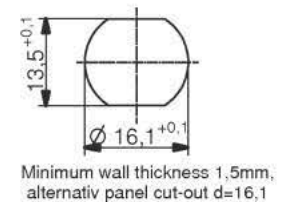
### Contact Assignment

- 1) brown
- 2) Profibus-A green
- 3) blue
- 4) Profibus-B red

### Dimension



### Cut-Out Front Panel



## ORDER DATA

Wire	Length/L	Description	4-pos Part-no.
PVC, AWG22, UL	0,5m	SAL-12B-FK4.3-0,5	43-01042

Suitable counter nut in section 9

# SAL M12x1 CONNECTORS – B-CODING PROFIBUS DP

Male socket with wire, frontmounting, M16x1,5-thread



RoHS compliant

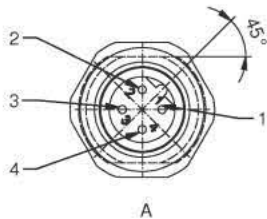
## TECHNICAL DATA

Rated voltage	4-pos 250V
Current rating	4A at +40°C
Pollution degree	3 / 2
Insulation resistance	>= 100 MΩ
Degree of protection	IP67 in mated condition
Temperature range	-30°C to +80°C
Mating cycles	>= 100

## PRODUCT DRAWING

### Pin Configuration

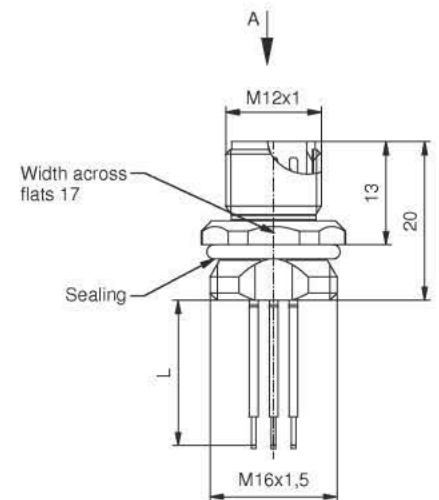
4-pos



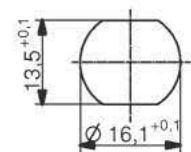
### Contact Assignment

- 1 brown
- 2 Profibus-A green
- 3 blue
- 4 Profibus-B red

### Dimension



### Cut-Out Front Panel



Minimum wall thickness 1,5mm,  
alternativ panel cut-out d=16,1

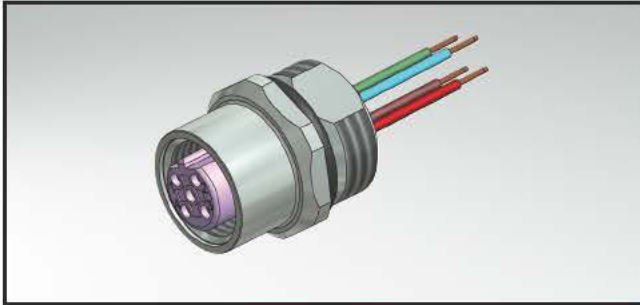
## ORDER DATA

Wire	Length/L	Description	4-pos Part-no.
PVC, AWG22, UL	0,5m	SAL-12B-FS4.3-0,5	43-01043

Suitable counter nut in section 9

# SAL M12x1 CONNECTORS – B-CODING PROFIBUS DP

Female socket with wire, frontmounting, PG9-thread



RoHS compliant

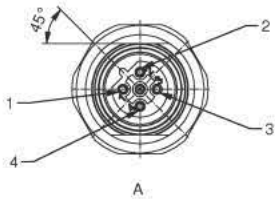
## TECHNICAL DATA

Rated voltage	4-pos 250V
Current rating	4A at +40°C
Pollution degree	3 / 2
Insulation resistance	≥ 100 MΩ
Degree of protection	IP67 in mated condition
Temperature range	-30°C to +80°C
Mating cycles	≥ 100

## PRODUCT DRAWING

### Pin Configuration

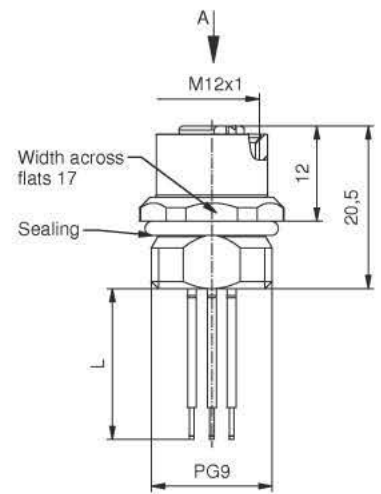
4-pos



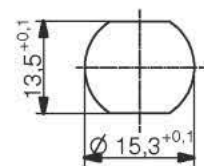
### Contact Assignment

- 1) brown
- 2) Profibus-A green
- 3) blue
- 4) Profibus-B red

### Dimension



### Cut-Out Front Panel



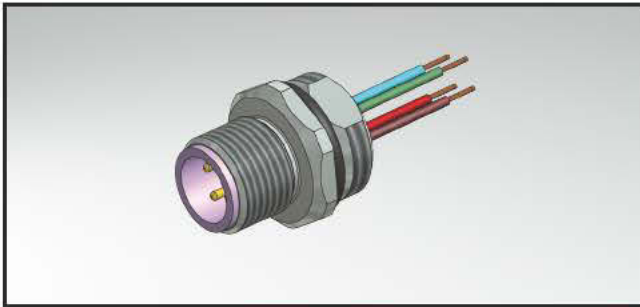
Minimum wall thickness 1,5mm,  
alternativ panel cut-out d=15,3

## ORDER DATA

Wire	Length/L	Description	4-pos Part-no.
PVC, AWG22, UL	0,5m	SAL-12B-FK4.3-0,5-9	43-01109

# SAL M12x1 CONNECTORS – B-CODING PROFIBUS DP

Male socket with wire, frontmounting, PG9-thread



RoHS compliant

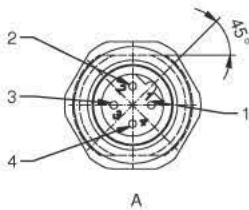
## TECHNICAL DATA

Rated voltage	4-pos 250V
Current rating	4A at +40°C
Pollution degree	3 / 2
Insulation resistance	>= 100 MΩ
Degree of protection	IP67 in mated condition
Temperature range	-30°C to +80°C
Mating cycles	>= 100

## PRODUCT DRAWING

### Pin Configuration

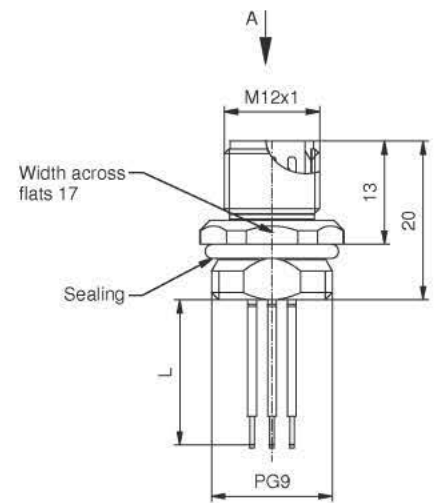
4-pos



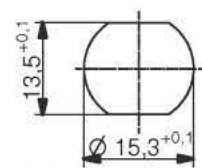
### Contact Assignment

- 1 brown
- 2 Profibus-A green
- 3 blue
- 4 Profibus-B red

### Dimension



### Cut-Out Front Panel



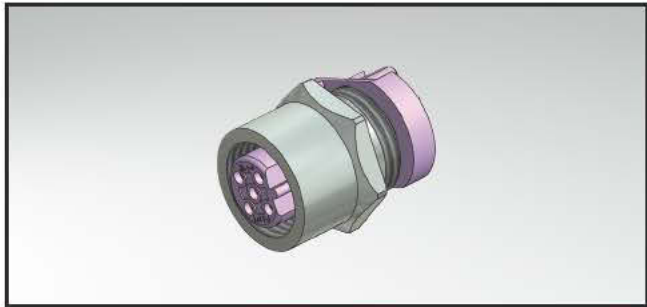
Minimum wall thickness 1,5mm,  
alternativ panel cut-out d=15,3

## ORDER DATA

Wire	Length/L	Description	4-pos Part-no.
PVC, AWG22, UL	0,5m	SAL-12B-FS4.3-0,5-9	43-01110

# SAL M12x1 CONNECTORS – B-CODING PROFIBUS DP

Female socket dip-solder, frontmounting, axial, with shroud, installation height 5,5mm



RoHS compliant

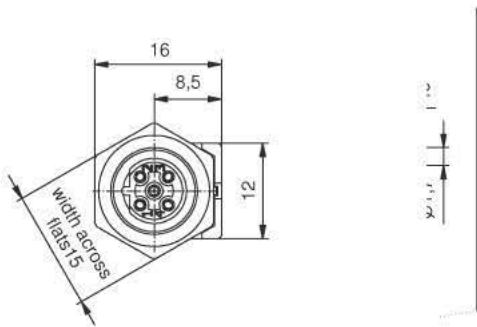
**TECHNICAL DATA**

Rated voltage	4-pos 250V
Current rating	4A at +40°C
Pollution degree	3 / 2
Insulation resistance	>= 100 MΩ
Degree of protection	IP67 in mated condition
Temperature range	-30°C to +85°C
Mating cycles	>= 100

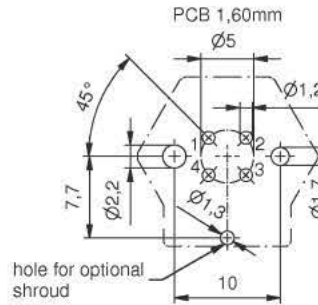
**PRODUCT DRAWING**

**Pin Configuration**

4-pos



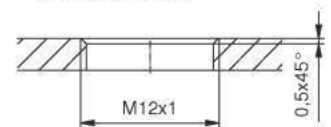
**Hole Pattern Printing Board**



**Dimension**



**Screw-In Thread**



**ORDER DATA**

Headroom	Description	4-pos Part-no.
5,5mm	SAL-12B-FK4-X5,5	43-01216

# SAL M12x1 CONNECTORS – B-CODING PROFIBUS DP

Male socket dip-solder, frontmounting, axial, with shroud, installation height 5,5mm



RoHS compliant

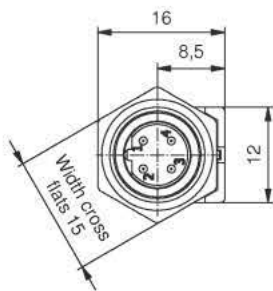
## TECHNICAL DATA

Rated voltage	4-pos 250V
Current rating	4A at +40°C
Pollution degree	3 / 2
Insulation resistance	>= 100 MΩ
Degree of protection	IP67 in mated condition
Temperature range	-30°C to +85°C
Mating cycles	>= 100

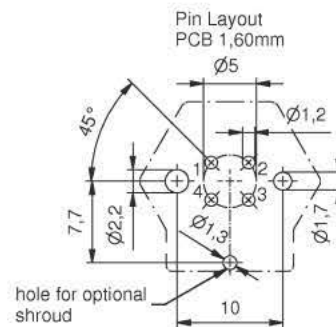
## PRODUCT DRAWING

### Pin Configuration

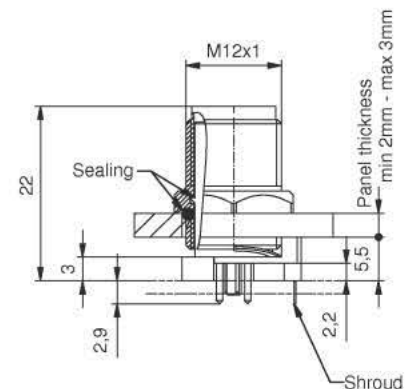
4-pos



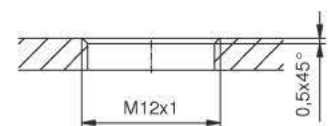
### Hole Pattern Printing Board



### Dimension



### Screw-In Thread

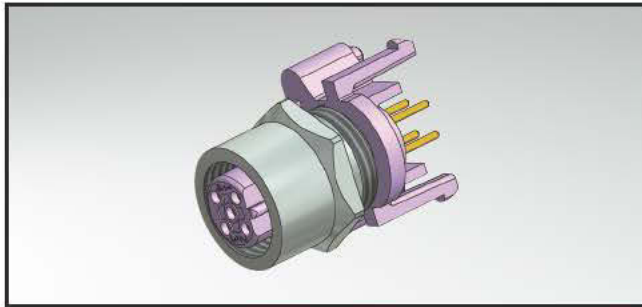


## ORDER DATA

Headroom	Description	4-pos Part-no.
5,5mm	SAL-12B-FS4-X5,5	43-01218

# SAL M12x1 CONNECTORS – B-CODING PROFIBUS DP

Female socket dip-solder, frontmounting, axial, with shroud, installation height 10mm



RoHS compliant

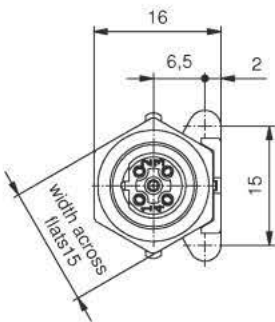
## TECHNICAL DATA

Rated voltage	4-pos 250V
Current rating	4A at +40°C
Pollution degree	3 / 2
Insulation resistance	$\geq 100 \text{ M}\Omega$
Degree of protection	IP67 in mated condition
Temperature range	-30°C to +85°C
Mating cycles	$\geq 100$

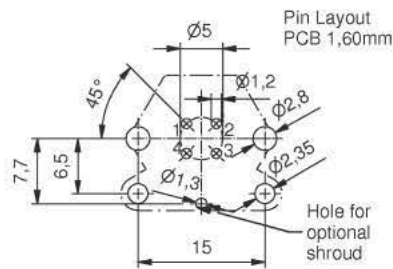
## PRODUCT DRAWING

### Pin Configuration

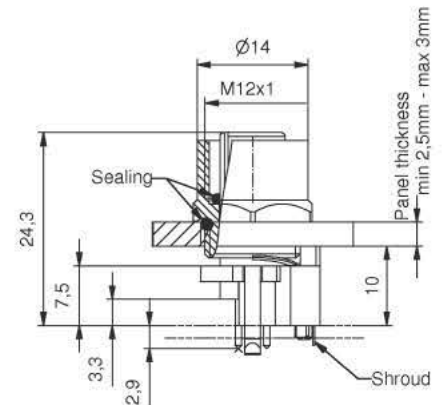
4-pos



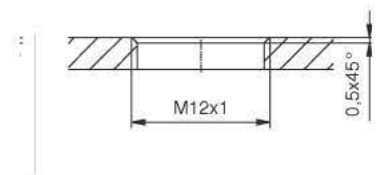
### Hole Pattern Printing Board



### Dimension



### Screw-In Thread

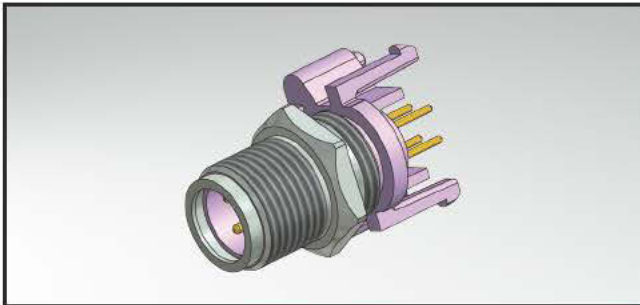


## ORDER DATA

Headroom	Description	4-pos Part-no.
10mm	SAL-12B-FK4-X10	43-01212

# SAL M12x1 CONNECTORS – B-CODING PROFIBUS DP

Male socket dip-solder, frontmounting, axial, with shroud, installation height 10mm



RoHS compliant

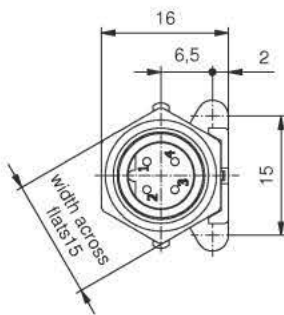
## TECHNICAL DATA

Rated voltage	4-pos 250V
Current rating	4A at +40°C
Pollution degree	3 / 2
Insulation resistance	$\geq 100 \text{ M}\Omega$
Degree of protection	IP67 in mated condition
Temperature range	-30°C to +85°C
Mating cycles	$\geq 100$

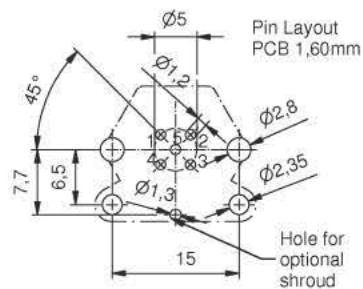
## PRODUCT DRAWING

### Pin Configuration

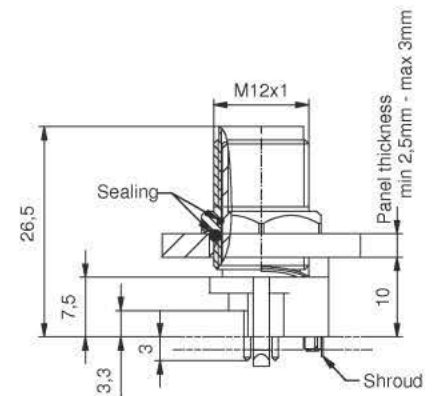
4-pos



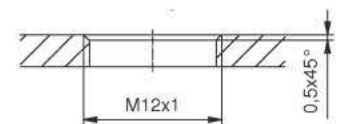
### Hole Pattern Printing Board



### Dimension



### Screw-In Thread

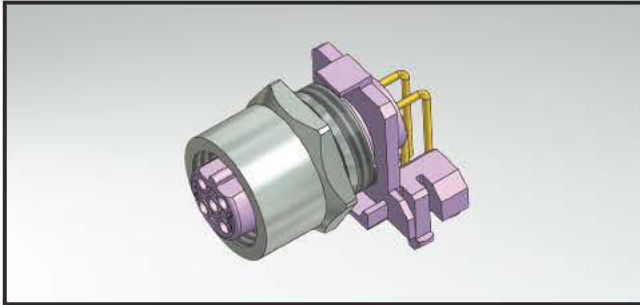


## ORDER DATA

Headroom	Description	4-pos Part-no.
10mm	SAL-12B-FS4-X10	43-01214

# SAL M12x1 CONNECTORS – B-CODING PROFIBUS DP

Female socket dip-solder, frontmounting, angled, with shroud



RoHS compliant

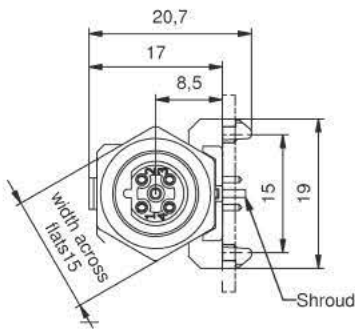
## TECHNICAL DATA

Rated voltage	4-pos 250V
Current rating	4A at +40°C
Pollution degree	3 / 2
Insulation resistance	≥ 100 MΩ
Degree of protection	IP67 in mated condition
Temperature range	-30°C to +85°C
Mating cycles	≥ 100

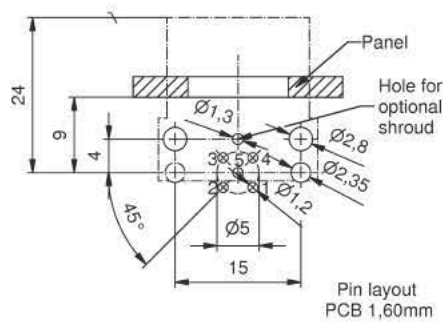
## PRODUCT DRAWING

### Pin Configuration

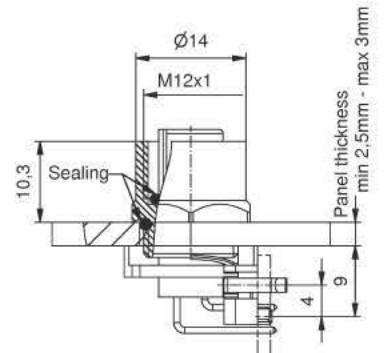
4-pos



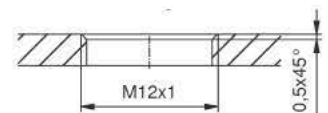
### Hole Pattern Printing Board



### Dimension



### Screw-In Thread

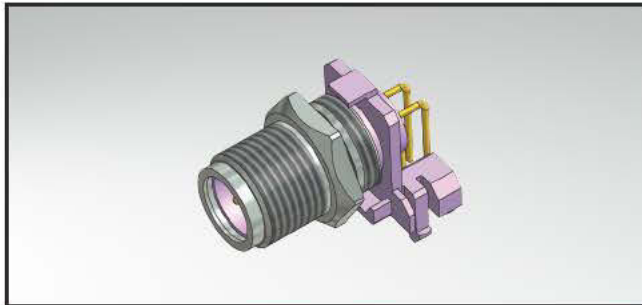


## ORDER DATA

Description	4-pos Part-no.
SAL-12B-FKW4	43-01224

# SAL M12x1 CONNECTORS – B-CODING PROFIBUS DP

Male socket dip-solder, frontmounting, angled, with shroud



RoHS compliant

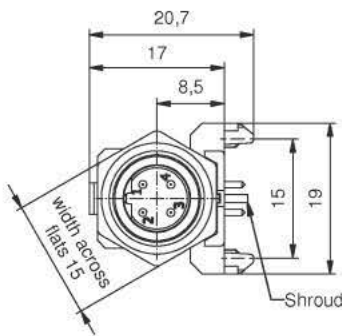
## TECHNICAL DATA

Rated voltage	4-pos 250V
Current rating	4A at +40°C
Pollution degree	3 / 2
Insulation resistance	$\geq 100 \text{ M}\Omega$
Degree of protection	IP67 in mated condition
Temperature range	-30°C to +85°C
Mating cycles	$\geq 100$

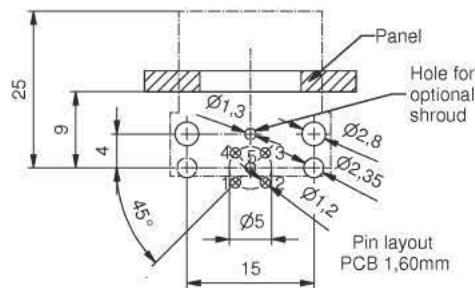
## PRODUCT DRAWING

### Pin Configuration

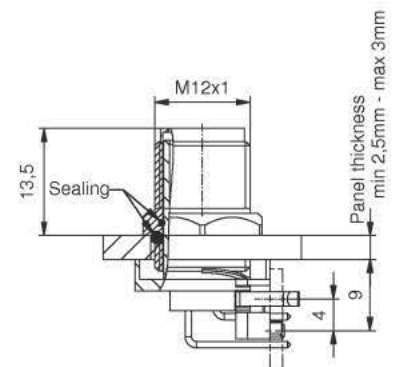
4-pos



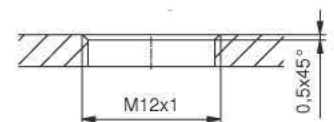
### Hole Pattern Printing Board



### Dimension



### Screw-In Thread



## ORDER DATA

Description	4-pos Part-no.
SAL-12B-FSW4	43-01226

# SAL M12x1 CONNECTORS – B-CODING PROFIBUS DP

Female socket dip-solder, backmounting, M16x1,5-thread



RoHS compliant

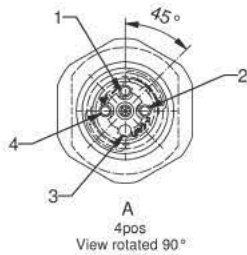
## TECHNICAL DATA

Rated voltage	4-pos 250V
Current rating	4A at +40°C
Pollution degree	3 / 2
Insulation resistance	$\geq 100 \text{ M}\Omega$
Degree of protection	IP67 in mated condition
Temperature range	-30°C to +85°C
Mating cycles	$\geq 100$

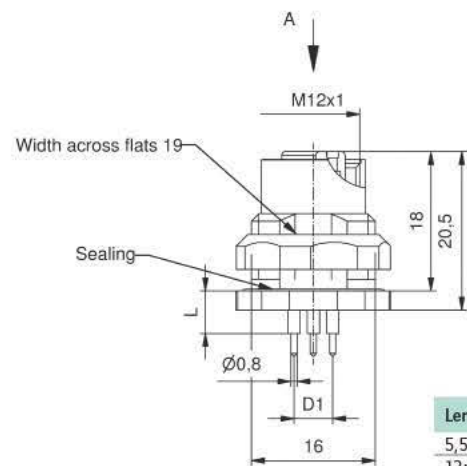
## PRODUCT DRAWING

### Pin Configuration

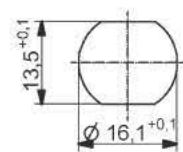
4-pos



### Dimension



### Cut-Out Front Panel



Minimum wall thickness 1,5mm,  
alternativ panel cut-out d=16,1

## ORDER DATA

Length/L Contacts	Description	4-pos Part-no.
5,5mm	SAL-12B-FKH4-P5,5	43-01123
12mm	SAL-12B-FKH4-P12	43-01124

# SAL M12x1 CONNECTORS – B-CODING PROFIBUS DP

Male socket dip-solder, backmounting, M16x1,5-thread



RoHS compliant

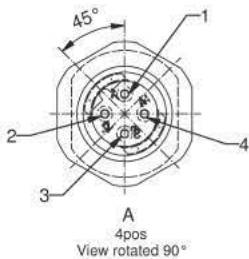
## TECHNICAL DATA

Rated voltage	4-pos 250V
Current rating	4A at +40°C
Pollution degree	3 / 2
Insulation resistance	>= 100 MΩ
Degree of protection	IP67 in mated condition
Temperature range	-30°C to +85°C
Mating cycles	>= 100

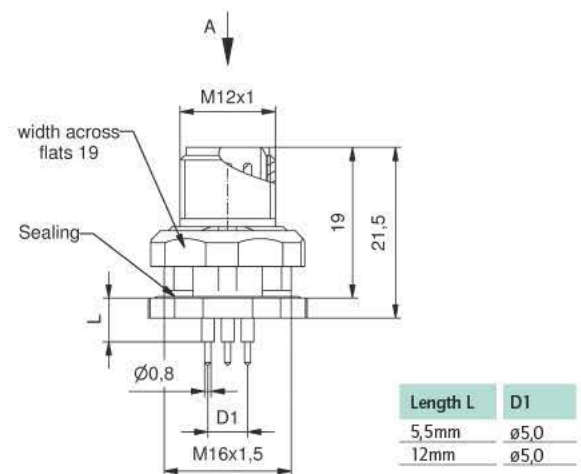
## PRODUCT DRAWING

### Pin Configuration

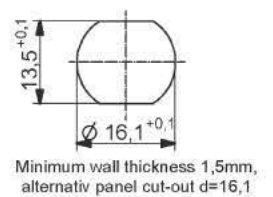
4-pos



### Dimension



### Cut-Out Front Panel



## ORDER DATA

Length/L Contacts	Description	4-pos Part-no.
5,5mm	SAL-12B-FSH4-P5,5	43-01125
12mm	SAL-12B-FSH4-P12	43-01126

# SAL M12x1 CONNECTORS – B-CODING PROFIBUS DP

Female socket dip-solder, backmounting, PG9-thread



RoHS compliant

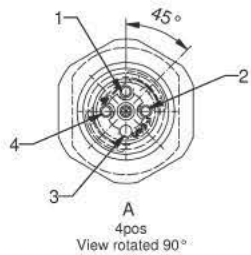
## TECHNICAL DATA

Rated voltage	4-pos 250V
Current rating	4A at +40°C
Pollution degree	3 / 2
Insulation resistance	$\geq 100 \text{ M}\Omega$
Degree of protection	IP67 in mated condition
Temperature range	-30°C to +85°C
Mating cycles	$\geq 100$

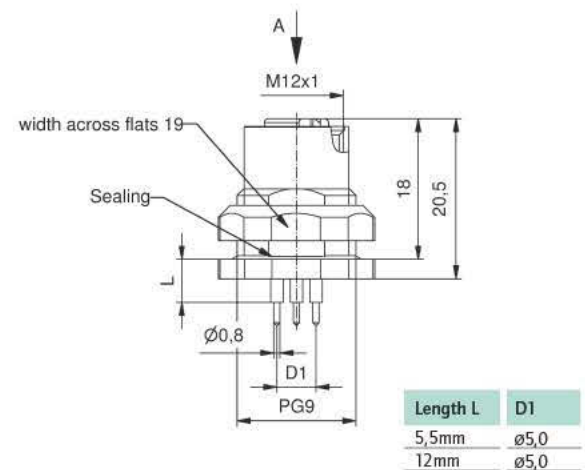
## PRODUCT DRAWING

### Pin Configuration

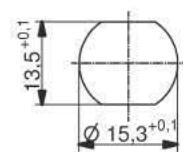
4-pos



### Dimension



### Cut-Out Front Panel



Minimum wall thickness 1,5mm,  
alternativ panel cut-out d=15,3

## ORDER DATA

Length/L Contacts	Description	4-pos Part-no.
5,5mm	SAL-12B-FKH4-P5,5-9	43-01249
12mm	SAL-12B-FKH4-P12-9	43-01250

# SAL M12x1 CONNECTORS – B-CODING PROFIBUS DP

Male socket dip-solder, backmounting, PG9-thread



RoHS compliant

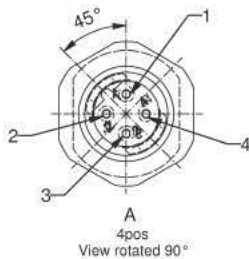
## TECHNICAL DATA

Rated voltage	4-pos 250V
Current rating	4A at +40°C
Pollution degree	3 / 2
Insulation resistance	$\geq 100 \text{ M}\Omega$
Degree of protection	IP67 in mated condition
Temperature range	-30°C to +85°C
Mating cycles	$\geq 100$

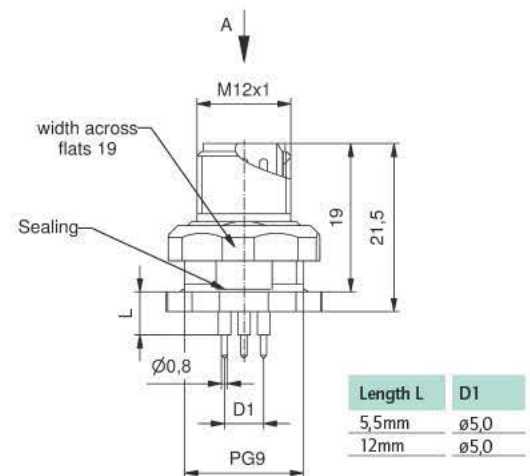
## PRODUCT DRAWING

### Pin Configuration

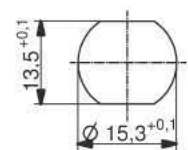
4-pos



### Dimension



### Cut-Out Front Panel



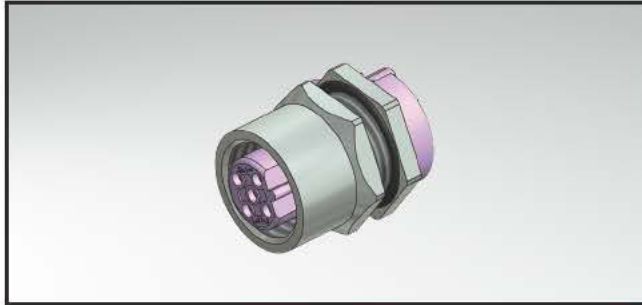
Minimum wall thickness 1,5mm,  
alternativ panel cut-out d=15,3

## ORDER DATA

Length/L Contacts	Description	4-pos Part-no.
5,5mm	SAL-12B-FSH4-P5,5-9	43-01251
12mm	SAL-12B-FSH4-P12-9	43-01252

# SAL M12x1 CONNECTORS – B-CODING PROFIBUS DP

Female socket dip-solder, backmounting, axial, with shroud, installation height 5,5mm



RoHS compliant

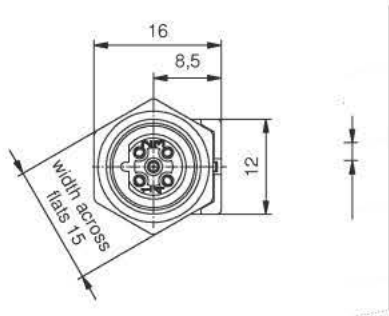
## TECHNICAL DATA

Rated voltage	4-pos 250V
Current rating	4A at +40°C
Pollution degree	3 / 2
Insulation resistance	$\geq 100 \text{ M}\Omega$
Degree of protection	IP67 in mated condition
Temperature range	-30°C to +85°C
Mating cycles	$\geq 100$

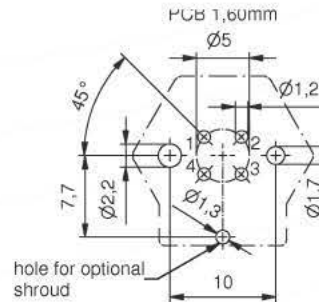
## PRODUCT DRAWING

### Pin Configuration

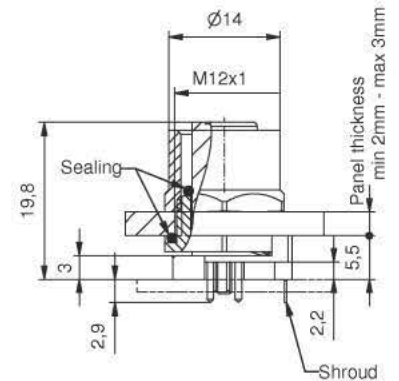
4-pos



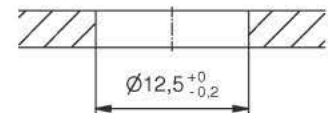
### Hole Pattern Printing Board



### Dimension



### Feedthrough



## ORDER DATA

Headroom	Description	4-pos Part-no.
5,5mm	SAL-12B-FKH4-X5,5	43-01217

# SAL M12x1 CONNECTORS – B-CODING PROFIBUS DP

Male socket dip-solder, backmounting, axial, with shroud, installation height 5,5mm



RoHS compliant

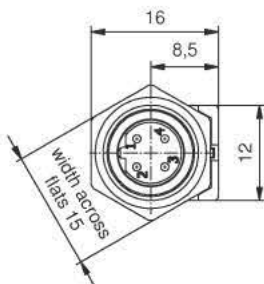
## TECHNICAL DATA

Rated voltage	4-pos 250V
Current rating	4A at +40°C
Pollution degree	3 / 2
Insulation resistance	$\geq 100 \text{ M}\Omega$
Degree of protection	IP67 in mated condition
Temperature range	-30°C to +85°C
Mating cycles	$\geq 100$

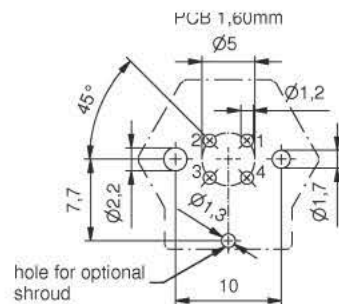
## PRODUCT DRAWING

### Pin Configuration

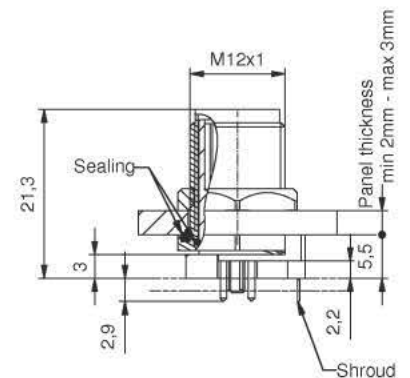
4-pos



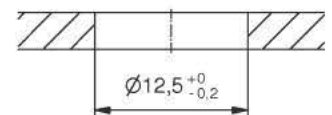
### Hole Pattern Printing Board



### Dimension



### Feedthrough

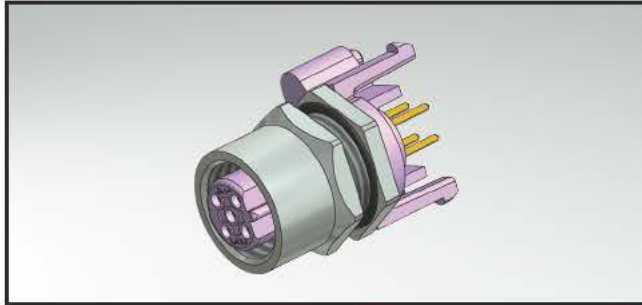


## ORDER DATA

Headroom	Description	4-pos Part-no.
5,5mm	SAL-12B-FSH4-X5,5	43-01219

# SAL M12x1 CONNECTORS – B-CODING PROFIBUS DP

Female socket dip-solder, backmounting, axial, with shroud, installation height 10mm



RoHS compliant

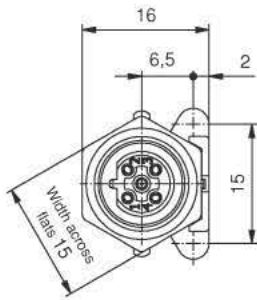
## TECHNICAL DATA

Rated voltage	4-pos 250V
Current rating	4A at +40°C
Pollution degree	3 / 2
Insulation resistance	$\geq 100 \text{ M}\Omega$
Degree of protection	IP67 in mated condition
Temperature range	-30°C to +85°C
Mating cycles	$\geq 100$

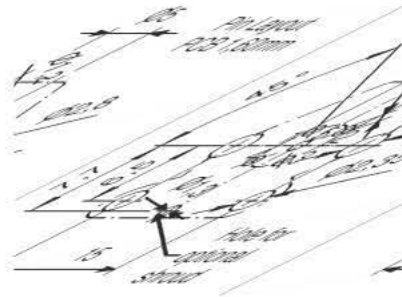
## PRODUCT DRAWING

### Pin Configuration

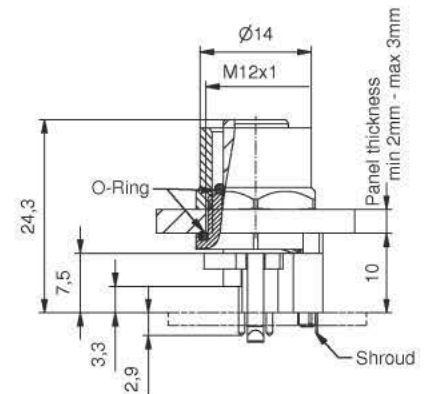
4-pos



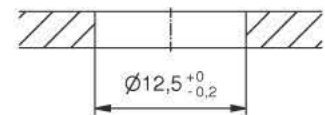
### Hole Pattern Printing Board



### Dimension



### Feedthrough

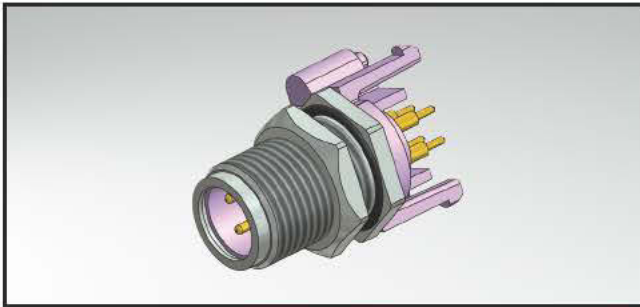


## ORDER DATA

Headroom	Description	4-pos Part-no.
10mm	SAL-12B-FKH4-X10	43-01213

# SAL M12x1 CONNECTORS – B-CODING PROFIBUS DP

Male socket dip-solder, backmounting, axial, with shroud, installation height 10mm



RoHS compliant

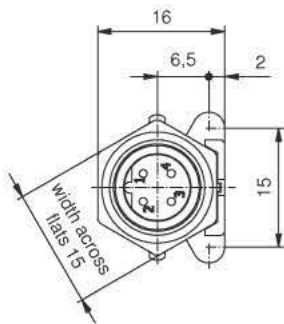
## TECHNICAL DATA

Rated voltage	4-pos 250V
Current rating	4A at +40°C
Pollution degree	3 / 2
Insulation resistance	$\geq 100 \text{ M}\Omega$
Degree of protection	IP67 in mated condition
Temperature range	-30°C to +85°C
Mating cycles	$\geq 100$

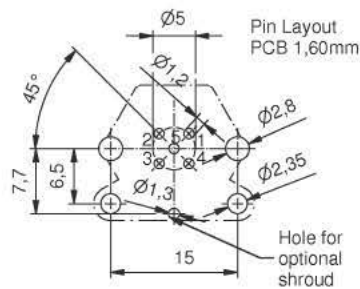
## PRODUCT DRAWING

### Pin Configuration

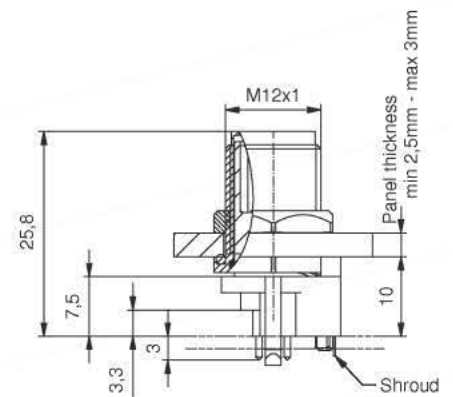
4-pos



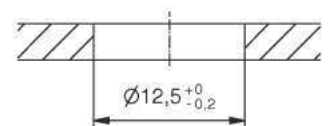
### Hole Pattern Printing Board



### Dimension



### Feedthrough

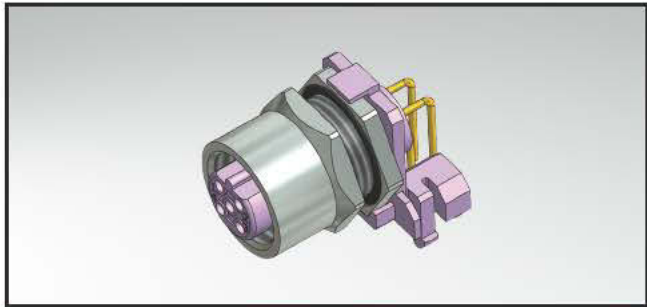


## ORDER DATA

Headroom	Description	4-pos Part-no.
10mm	SAL-12B-FSH4-X10	43-01215

# SAL M12x1 CONNECTORS – B-CODING PROFIBUS DP

Female socket dip-solder, backmounting, angled, with shroud



RoHS compliant

## TECHNICAL DATA

Rated voltage	4-pos 250V
Current rating	4A at +40°C
Pollution degree	3 / 2
Insulation resistance	≥ 100 MΩ
Degree of protection	IP67 in mated condition
Temperature range	-30°C to +85°C
Mating cycles	≥ 100

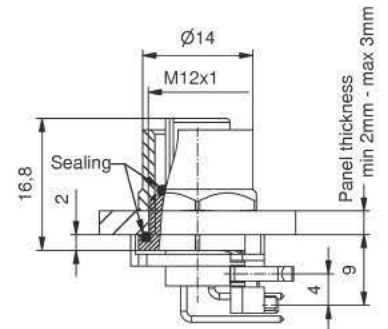
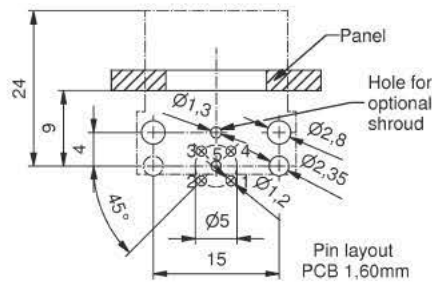
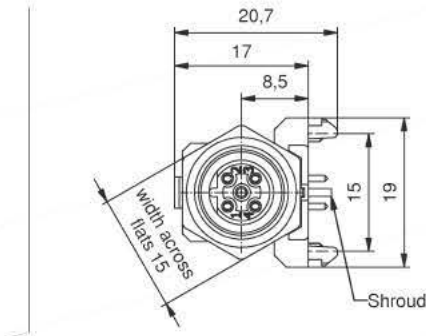
## PRODUCT DRAWING

### Pin Configuration

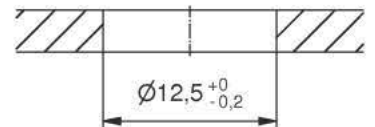
4-pos

### Hole Pattern Printing Board

### Dimension



### Feedthrough

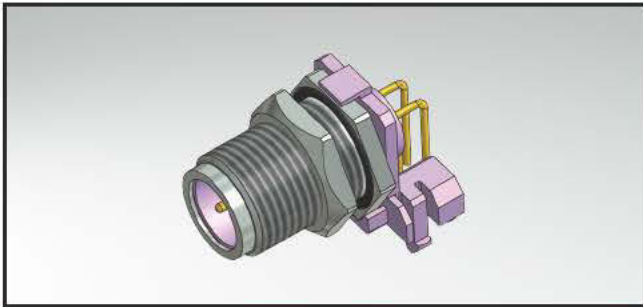


## ORDER DATA

Description	4-pos Part-no.
SAL-12B-FKHW4	43-01225

# SAL M12x1 CONNECTORS – B-CODING PROFIBUS DP

Male socket dip-solder, backmounting, angled, with shroud



RoHS compliant

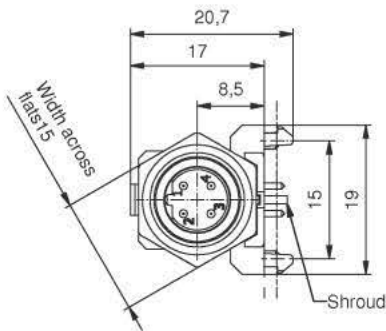
## TECHNICAL DATA

Rated voltage	4-pos 250V
Current rating	4A at +40°C
Pollution degree	3 / 2
Insulation resistance	$\geq 100 \text{ M}\Omega$
Degree of protection	IP67 in mated condition
Temperature range	-30°C to +85°C
Mating cycles	$\geq 100$

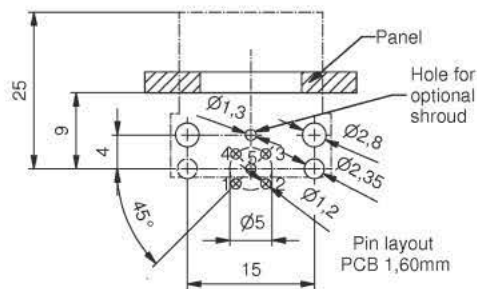
## PRODUCT DRAWING

### Pin Configuration

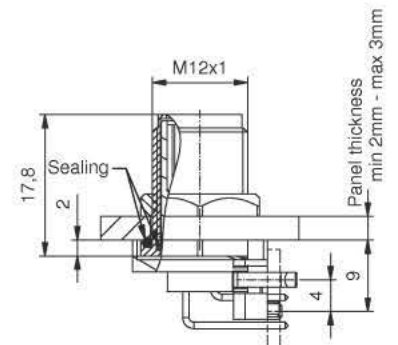
4-pos



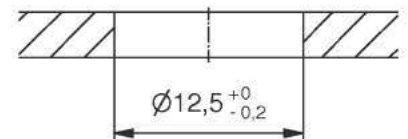
### Hole Pattern Printing Board



### Dimension



### Feedthrough

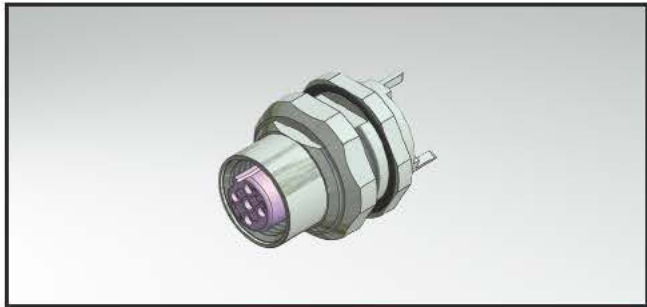


## ORDER DATA

Description	4-pos Part-no.
SAL-12B-FSHW4	43-01227

# SAL M12x1 CONNECTORS – B-CODING PROFIBUS DP

Female socket with shielded connection, backmounting, dip-solder



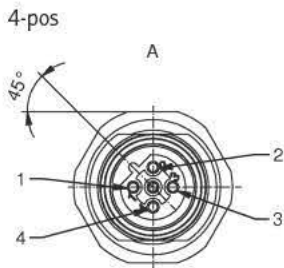
RoHS compliant

## TECHNICAL DATA

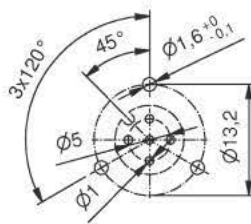
Rated voltage	4-pos 250V
Current rating	4A at +40°C
Pollution degree	3 / 2
Insulation resistance	>= 100 MΩ
Degree of protection	IP67 in mated condition
Temperature range	-30°C to +85°C
Mating cycles	>= 100

## PRODUCT DRAWING

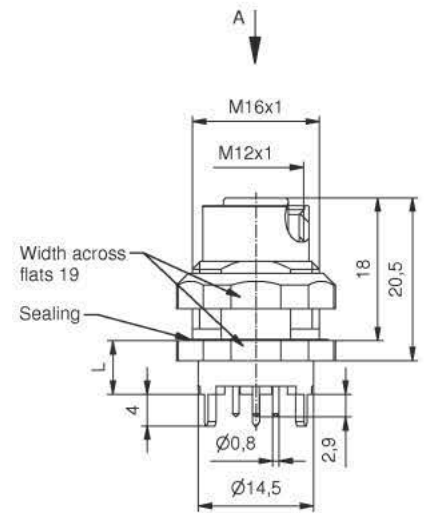
### Pin Configuration



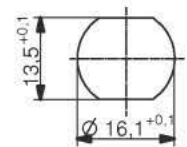
### Hole Pattern Printing Board



### Dimension



### Cut-Out Front Panel



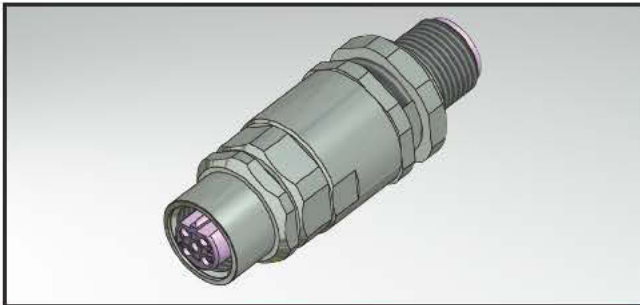
Minimum wall thickness 1,5mm, alternativ panel cut-out d=16,1

## ORDER DATA

Description	4-pos Part-no.
SAL-12B-FKH4-P6,75	43-01689

# SAL M12x1 CONNECTORS – B-CODING PROFIBUS DP

Lead through for switch case, male socket (fixed) – female socket (positioning possible)



RoHS compliant

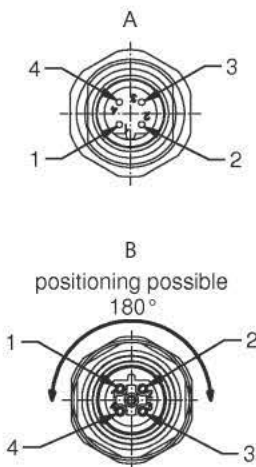
## TECHNICAL DATA

Rated voltage	4-pos 250V
Current rating	4A at +40°C
Pollution degree	3 / 2
Insulation resistance	$\geq 100 \text{ M}\Omega$
Degree of protection	IP67 in mated condition
Temperature range	-30°C to +85°C
Mating cycles	$\geq 100$

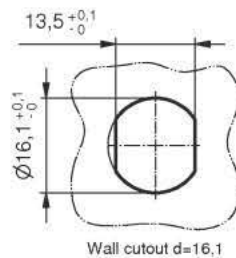
## PRODUCT DRAWING

### Pin Configuration

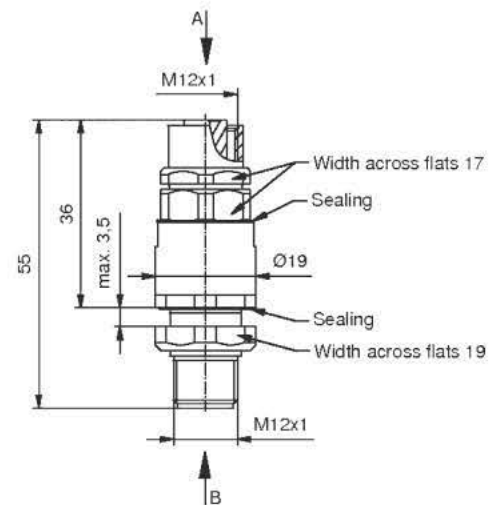
4-pos



### Wall cutout



### Dimension



## ORDER DATA

Description	4-pos Part-no.
SAL-12B-FSH4-FKP4-WD	43-01693

# SAL M12x1 CONNECTORS – B-CODING PROFIBUS DP

## Terminating plug



RoHS compliant

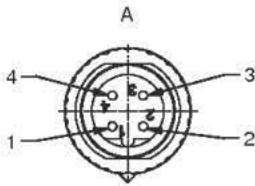
### TECHNICAL DATA

Rated voltage	4-pos 160V
Pollution degree	3 / 2
Insulation resistance	$\geq 100 \text{ M}\Omega$
Degree of protection	IP67 in mated condition
Temperature range	-30°C to +70°C
Mating cycles	$\geq 100$

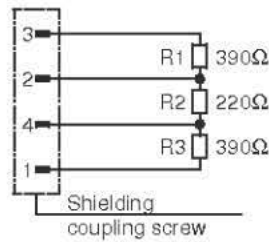
### PRODUCT DRAWING

#### Pin Configuration

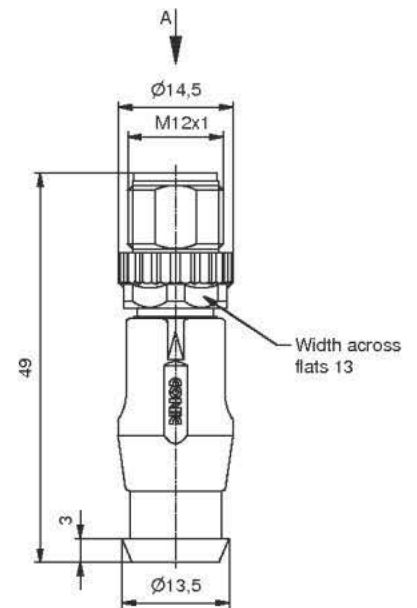
4-pos



#### Contact Assignment



#### Dimension



### ORDER DATA

Description	4-pos Part-no.
SAL-12B-RSA4.1	43-12483

# SAL M12x1 CONNECTORS – B-CODING PROFIBUS DP

Female socket with cable, backmounting



RoHS compliant

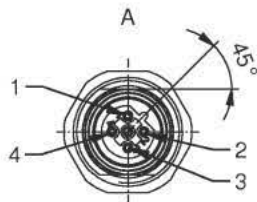
## TECHNICAL DATA

Rated voltage	4-pos 160V
Current rating	4A at +40°C
Pollution degree	3 / 2
Insulation resistance	>= 100 MΩ
Degree of protection	IP67 in mated condition
Temperature range	-30°C to +60°C
Mating cycles	>= 100

## PRODUCT DRAWING

### Pin Configuration

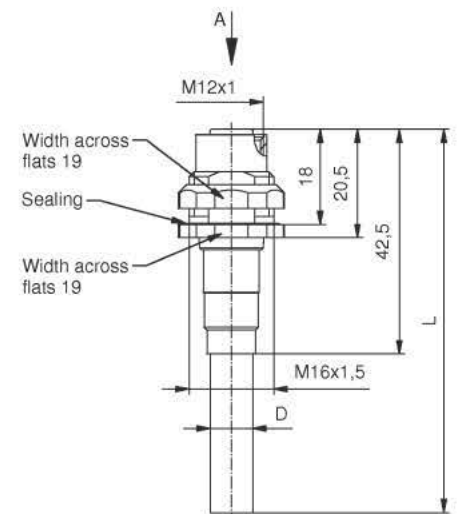
4-pos



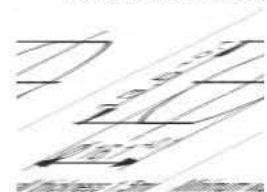
### Contact Assignment

1	n.c.
2	Profibus-A green
3	n.c.
4	Profibus-B red
Shielding socket housing	

### Dimension



### Cut-Out Front Panel



## ORDER DATA

Cable	Length/ L	Description	4-pos Part-no.
PVC UL violet (RAL4001) O2YSY(ST)CY 2xAWG22	0,5m	SAL-12B-FKH4.1-0,5/G5	43-01654
	1m	SAL-12B-FKH4.1-1/G5	43-01655
	2m	SAL-12B-FKH4.1-2/G5	43-01656
TPU UL violet (RAL4001) O2YSH(ST)CH 2xAWG22	0,5m	SAL-12B-FKH4.1-0,5/G4	43-01648
	1m	SAL-12B-FKH4.1-1/G4	43-01649
	2m	SAL-12B-FKH4.1-2/G4	43-01650

For custom length or quality levels contact factory

# SAL M12x1 CONNECTORS – B-CODING PROFIBUS DP

Male socket with cable, backmounting



RoHS compliant

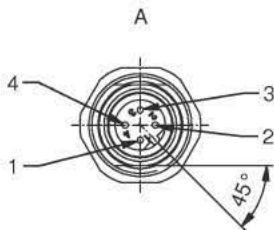
## TECHNICAL DATA

Rated voltage	4-pos 160V
Current rating	4A at +40°C
Pollution degree	3 / 2
Insulation resistance	>= 100 MΩ
Degree of protection	IP67 in mated condition
Temperature range	-30°C to +60°C
Mating cycles	>= 100

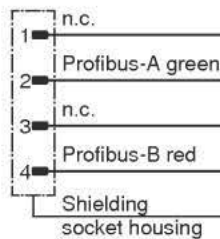
## PRODUCT DRAWING

### Pin Configuration

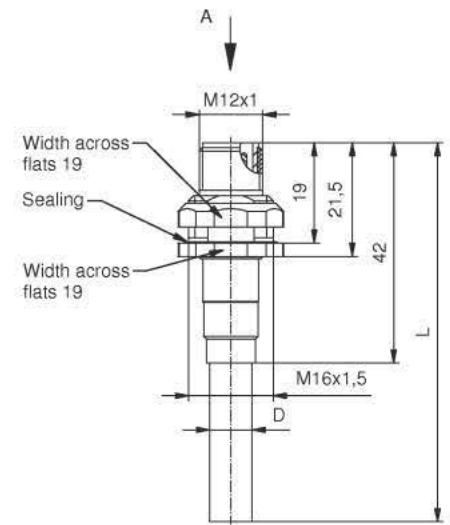
4-pos



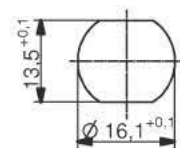
### Contact Assignment



### Dimension



### Cut-Out Front Panel



Minimum wall thickness 1,5mm,  
alternativ panel cut-out d=16,1

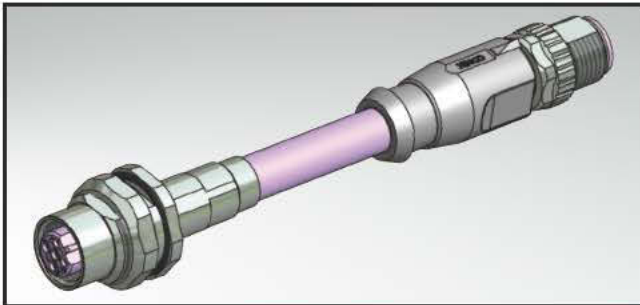
## ORDER DATA

Cable	Length/L	Description	4-pos Part-no.
PVC UL violet (RAL4001)	0,5m	SAL-12B-FSH4.1-0,5 / G5	43-01657
02YSY(ST)CY 2xAWG22	1m	SAL-12B-FSH4.1-1 / G5	43-01658
	2m	SAL-12B-FSH4.1-2 / G5	43-01659
TPU UL violet (RAL4001)	0,5m	SAL-12B-FSH4.1-0,5 / G4	43-01651
02YSH(ST)CH 2xAWG22	1m	SAL-12B-FSH4.1-1 / G4	43-01652
	2m	SAL-12B-FSH4.1-2 / G4	43-01653

For custom length or quality levels contact factory

# SAL M12x1 CONNECTORS – B-CODING PROFIBUS DP

Connecting Cable Female socket with cable, backmounting – Male connector, axial



RoHS compliant

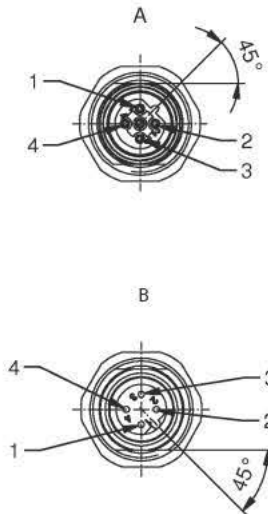
## TECHNICAL DATA

Rated voltage	4-pos 160V
Current rating	4A at +40°C
Pollution degree	3 / 2
Insulation resistance	>= 100 MΩ
Degree of protection	IP67 in mated condition
Temperature range	-30°C to +60°C
Mating cycles	>= 100

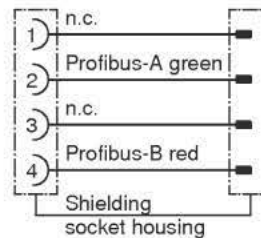
## PRODUCT DRAWING

### Pin Configuration

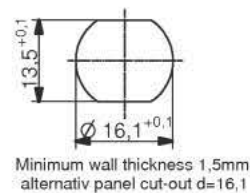
4-pos



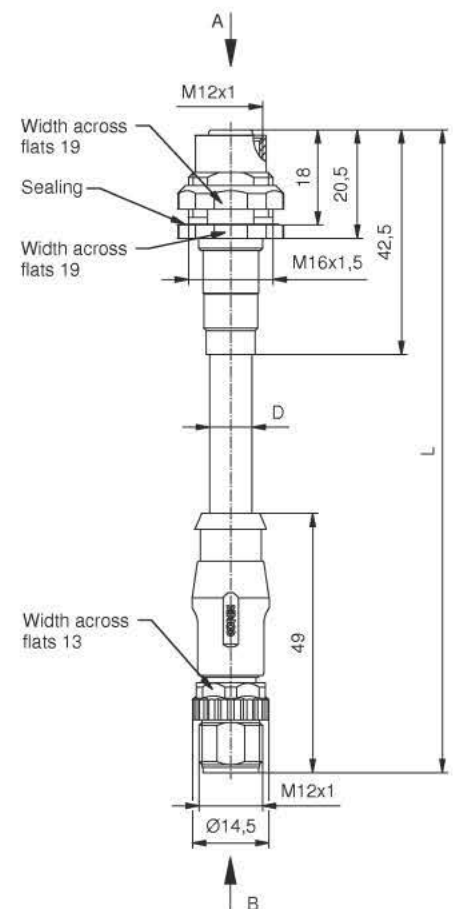
### Contact Assignment



### Cut-Out Front Panel



### Dimension



## ORDER DATA

Cable	Length/L	Description	4-pos Part-no.
TPU violet (RAL4001)	1m	SAL-12B-FKH4.1-RS4.1-1/G4	43-01670
O2YSH(ST)CH 2xAWG22	2m	SAL-12B-FKH4.1-RS4.1-2/G4	43-01671
	0,5m	SAL-12B-FKH4.1-RS4.1-0,5/G4	43-01669

For custom length or quality levels contact factory

# SAL M12x1 CONNECTORS – D-CODING INDUSTRIAL ETHERNET 100MHz

Male connector, axial with 360°-shielding



RoHS compliant

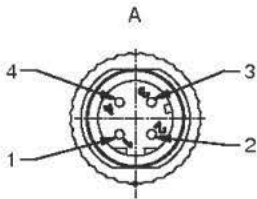
## TECHNICAL DATA

Rated voltage	4-pos 160V
Current rating	4A at +40°C
Pollution degree	3 / 2
Insulation resistance	>= 100 MΩ
Degree of protection	IP67 in mated condition
Temperature range	-30°C to +70°C
Mating cycles	>= 100

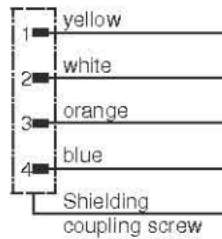
## PRODUCT DRAWING

### Pin Configuration

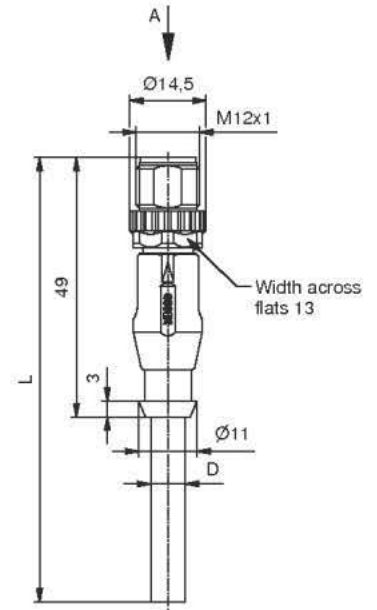
4-pos



### Contact Assignment



### Dimension



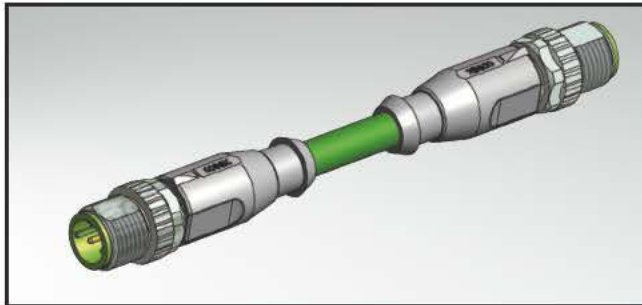
## ORDER DATA

Cable	Length/L	Description	4-pos Part-no.
TPU UL halogenfree green (RAL 6018) 4xAWG22	2m	SAL-12D-RS4.2-2 / G6	43-10944
	3m	SAL-12D-RS4.2-3 / G6	43-10945
	5m	SAL-12D-RS4.2-5 / G6	43-10946
	10m	SAL-12D-RS4.2-10 / G6	43-10947

For custom length or quality levels contact factory

# SAL M12x1 CONNECTORS – D-CODING INDUSTRIAL ETHERNET 100MHz

Connecting cable with 360°-shielding



RoHS compliant

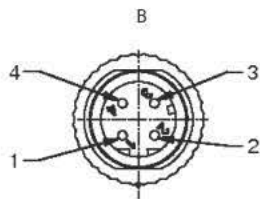
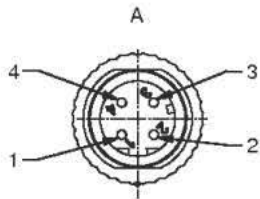
## TECHNICAL DATA

Rated voltage	4-pos 160V
Current rating	4A at +40°C
Pollution degree	3 / 2
Insulation resistance	>= 100 MΩ
Degree of protection	IP67 in mated condition
Temperature range	-30°C to +70°C
Mating cycles	>= 100

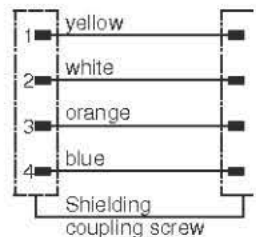
## PRODUCT DRAWING

### Pin Configuration

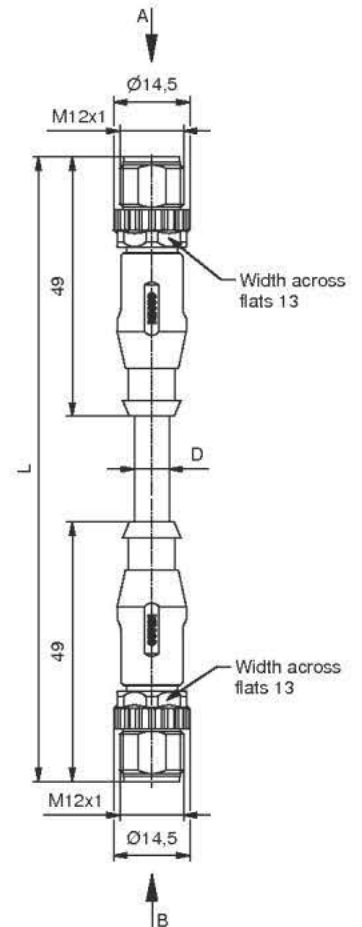
4-pos



### Contact Assignment



### Dimension



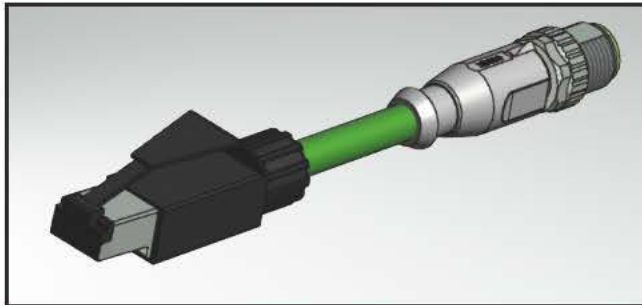
## ORDER DATA

Cable	Length/L	Description	4-pos Part-no.
TPU UL halogenfree green (RAL 6018) 4xAWG22	0,3m	SAL-12D-RS4.2-RS4.2-0,3 / G6	43-10948
	0,6m	SAL-12D-RS4.2-RS4.2-0,6 / G6	43-10949
	1,5m	SAL-12D-RS4.2-RS4.2-1,5 / G6	43-10950
	3m	SAL-12D-RS4.2-RS4.2-3 / G6	43-10951

For custom length or quality levels contact factory

# SAL RJ45/M12x1 CONNECTORS

Connecting cable RJ45 Male connector – M12x1 Male connector, axial



RoHS compliant

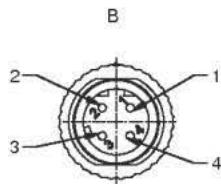
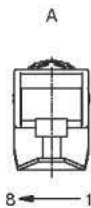
## TECHNICAL DATA

Rated voltage	4-pos 48V
Current rating	350mA at 40°C
Pollution degree	3 / 2
Insulation resistance	>= 100 MΩ
Degree of protection	RJ45: IP20 connected/ M12x1: IP67 in mated condition
Temperature range	-30°C to +70°C
Mating cycles	>= 100

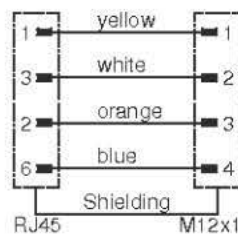
## PRODUCT DRAWING

### Pin Configuration

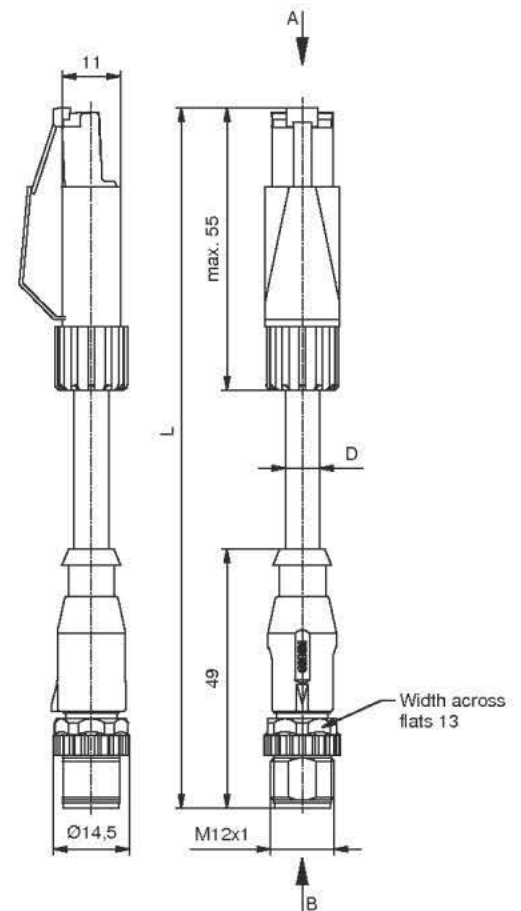
4-pos



### Contact Assignment



### Dimension



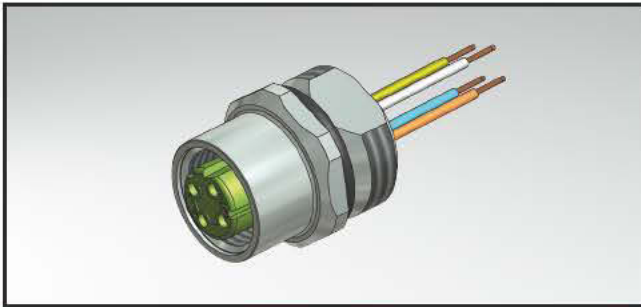
## ORDER DATA

Cable	Length/L	Description	4-pos Part-no.
	0,3m	SAL-45-SS4-12D-RS4.2-0,3/G6	43-12484
	0,6m	SAL-45-SS4-12D-RS4.2-0,6/G6	43-12485
TPU UL, halogenfree green (RAL 6018) 4xAWG22	1,5m	SAL-45-SS4-12D-RS4.2-1,5/G6	43-10996
	3m	SAL-45-SS4-12D-RS4.2-3/G6	43-10997

For custom length or quality levels contact factory

# SAL M12x1 CONNECTORS – D-CODING INDUSTRIAL ETHERNET 100MHz

Female socket with wire, frontmounting, M16x1,5-thread



RoHS compliant

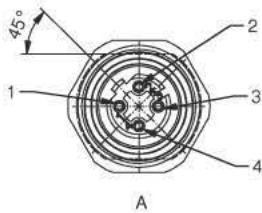
## TECHNICAL DATA

Rated voltage	4-pos 250V
Current rating	4A at +40°C
Pollution degree	3 / 2
Insulation resistance	>= 100 MΩ
Degree of protection	IP67 in mated condition
Temperature range	-30°C to +80°C
Mating cycles	>= 100

## PRODUCT DRAWING

### Pin Configuration

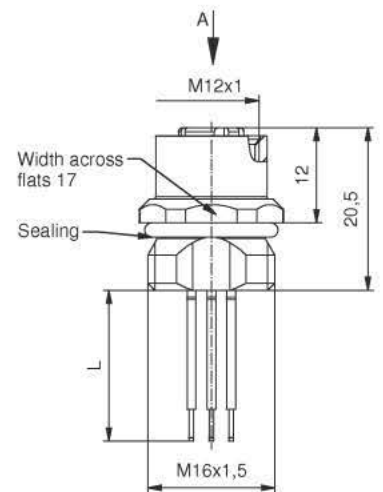
4-pos



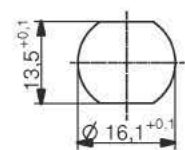
### Contact Assignment

- 1) yellow
- 2) white
- 3) orange
- 4) blue

### Dimension



### Cut-Out Front Panel



Minimum wall thickness 1,5mm,  
alternativ panel cut-out d=16,1

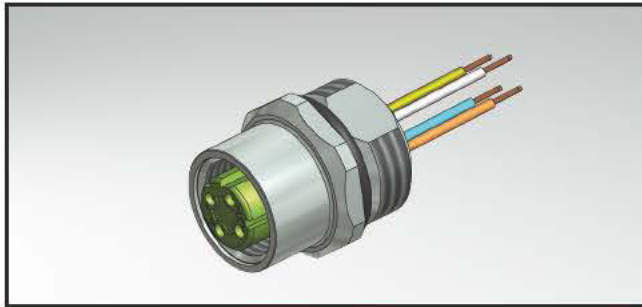
## ORDER DATA

Wire	Length / L	Description	4-pos Part-no.
PVC, AWG22, UL	0,5m	SAL-12D-FK4.2-0,5	43-01044

Suitable counter nut in section 9

# SAL M12x1 CONNECTORS – D-CODING INDUSTRIAL ETHERNET 100MHz

Female socket with wire, frontmounting, PG9-thread



RoHS compliant

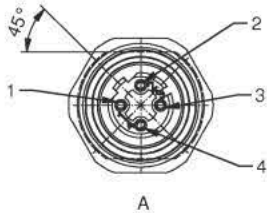
## TECHNICAL DATA

Rated voltage	4-pos 250V
Current rating	4A at +40°C
Pollution degree	3 / 2
Insulation resistance	$\geq 100 \text{ M}\Omega$
Degree of protection	IP67 in mated condition
Temperature range	-30°C to +80°C
Mating cycles	$\geq 100$

## PRODUCT DRAWING

## Pin Configuration

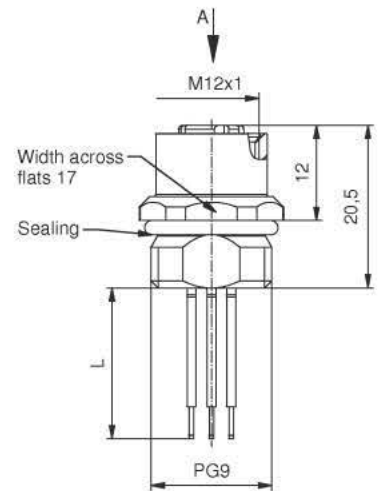
4-pos



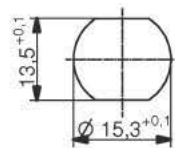
## Contact Assignment

1	yellow
2	white
3	orange
4	blue

## Dimension



## Cut-Out Front Panel



Minimum wall thickness 1,5mm,  
alternativ panel cut-out d=15,3

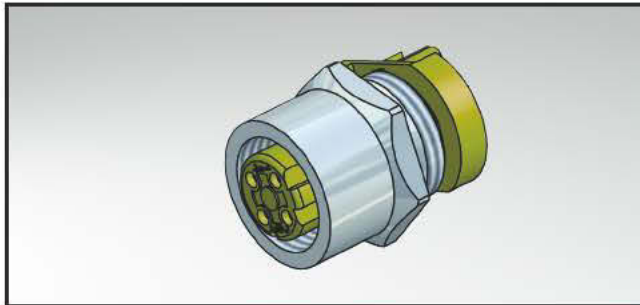
## ORDER DATA

Wire	Length/L	Description	4-pos Part-no.
PVC, AWG22, UL	0,5m	SAL-12D-FK4.2-0,5-9	43-01111

Suitable counter nut in section 9

# SAL M12x1 CONNECTORS – D-CODING INDUSTRIAL ETHERNET 100MHz

Female socket dip-solder, frontmounting, axial, with shroud, installation height 5,5mm



RoHS compliant

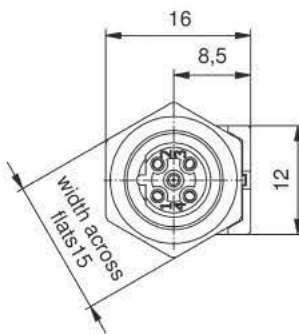
## TECHNICAL DATA

Rated voltage	4-pos 250V
Current rating	4A at +40°C
Pollution degree	3 / 2
Insulation resistance	≥ 100 MΩ
Degree of protection	IP67 in mated condition
Temperature range	-30°C to +85°C
Mating cycles	≥ 100

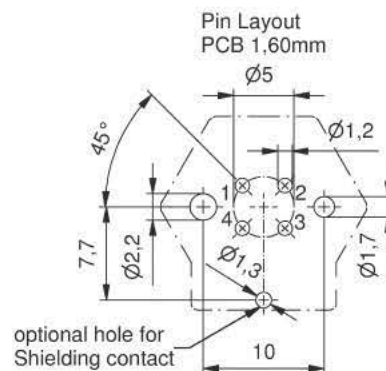
## PRODUCT DRAWING

### Pin Configuration

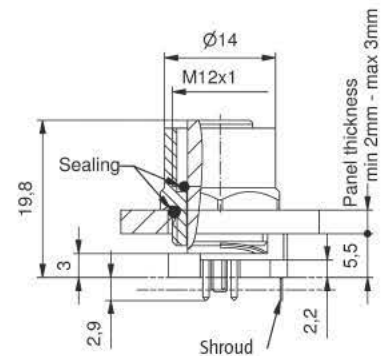
4-pos



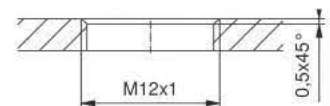
### Hole Pattern Printing Board



### Dimension



### Screw-In Thread

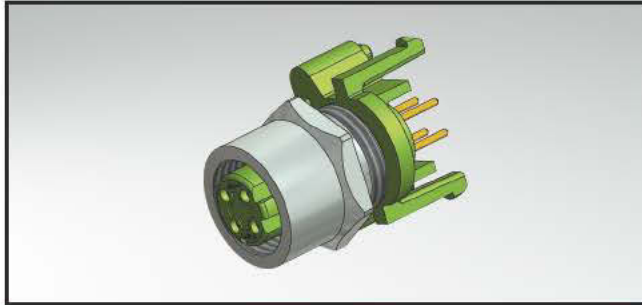


## ORDER DATA

Headroom	Description	4-pos Part-no.
5,5mm	SAL-12D-FK4-X5,5	43-01222

# SAL M12x1 CONNECTORS – D-CODING INDUSTRIAL ETHERNET 100MHz

Female socket dip-solder, frontmounting, axial, with shroud, installation height 10mm



RoHS compliant

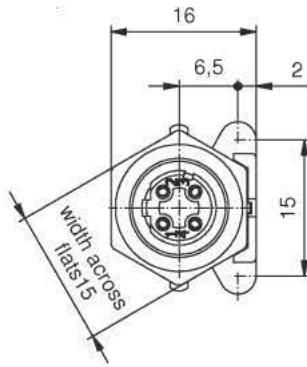
## TECHNICAL DATA

Rated voltage	4-pos 250V
Current rating	4A at +40°C
Pollution degree	3 / 2
Insulation resistance	$\geq 100 \text{ M}\Omega$
Degree of protection	IP67 in mated condition
Temperature range	-30°C to +85°C
Mating cycles	$\geq 100$

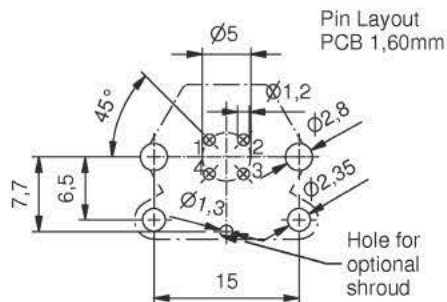
## PRODUCT DRAWING

### Pin Configuration

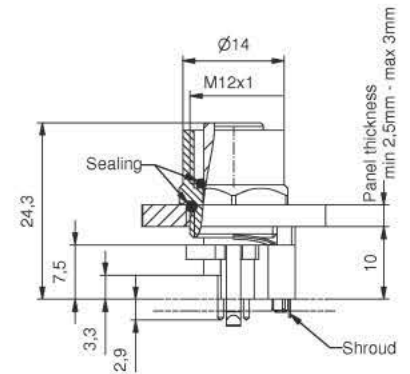
4-pos



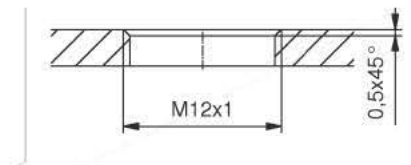
### Hole Pattern Printing Board



### Dimension



### Screw-In Thread

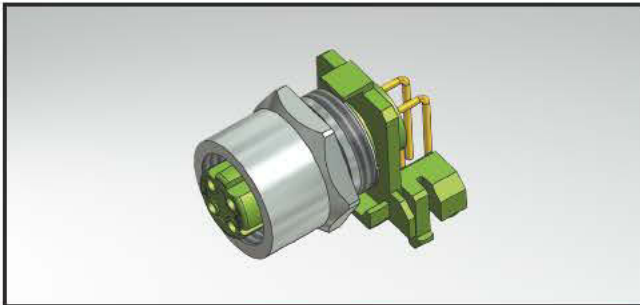


## ORDER DATA

Headroom	Description	4-pos Part-no.
10mm	SAL-12D-FK4-X10	43-01220

# SAL M12x1 CONNECTORS – D-CODING INDUSTRIAL ETHERNET 100MHz

Female socket dip-solder, frontmounting, angled, with shroud



RoHS compliant

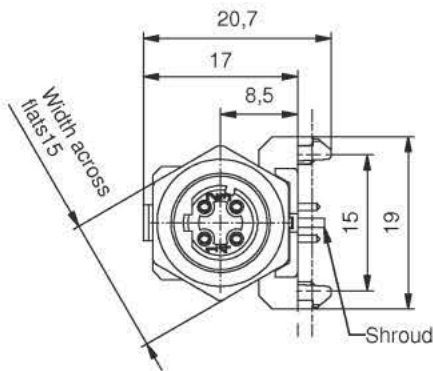
## TECHNICAL DATA

Rated voltage	4-pos 250V
Current rating	4A at +40°C
Pollution degree	3 / 2
Insulation resistance	>= 100 MΩ
Degree of protection	IP67 in mated condition
Temperature range	-30°C to +85°C
Mating cycles	>= 100

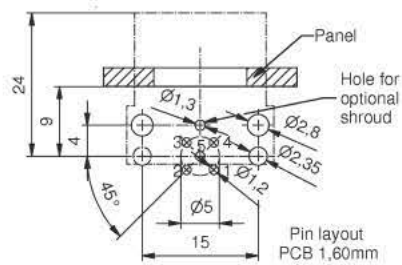
## PRODUCT DRAWING

### Pin Configuration

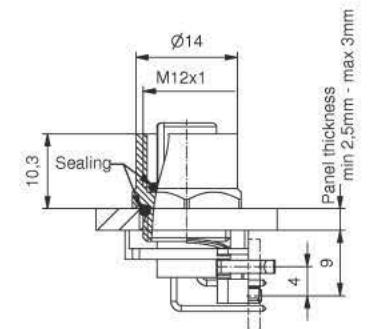
4-pos



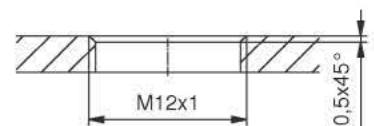
### Hole Pattern Printing Board



### Dimension



### Screw-In Thread



## ORDER DATA

Description	4-pos Part-no.
SAL-12D-FKW4	43-01228

# SAL M12x1 CONNECTORS – D-CODING INDUSTRIAL ETHERNET 100MHz

Female socket dip-solder, backmounting, M16x1,5-thread



RoHS compliant

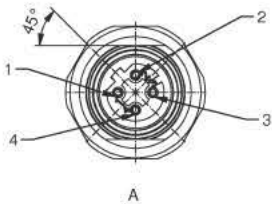
## TECHNICAL DATA

Rated voltage	4-pos 250V
Current rating	4A at +40°C
Pollution degree	3 / 2
Insulation resistance	$\geq 100 \text{ M}\Omega$
Degree of protection	IP67 in mated condition
Temperature range	-40°C to +85°C
Mating cycles	$\geq 100$

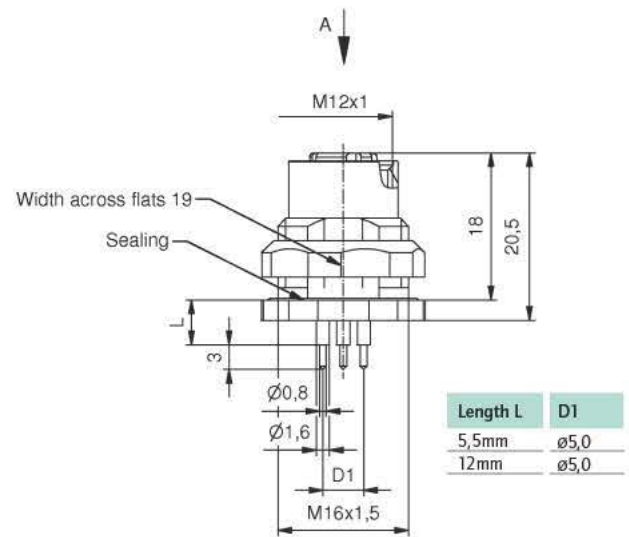
## PRODUCT DRAWING

### Pin Configuration

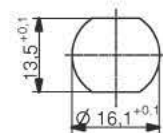
4-pos



### Dimension



### Cut-Out Front Panel



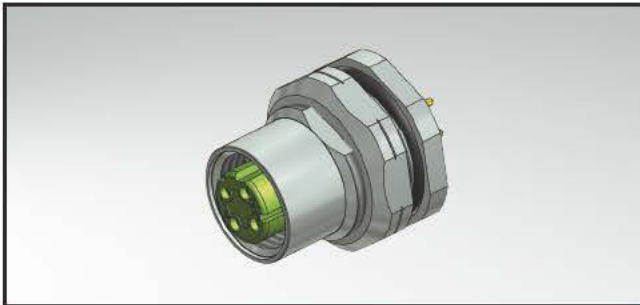
Minimum wall thickness 1,5mm,  
alternativ panel cut-out d=16,1

## ORDER DATA

Length/L Contacts	Description	4-pos Part-no.
5,5mm	SAL-12D-FKH4.2-P5,5	43-01157
12mm	SAL-12D-FKH4.2-P12	43-01118

# SAL M12x1 CONNECTORS – D-CODING INDUSTRIAL ETHERNET 100MHz

Female socket dip-solder, backmounting, PG9-thread



RoHS compliant

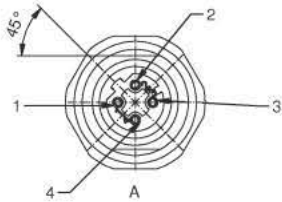
## TECHNICAL DATA

Rated voltage	4-pos 250V
Current rating	4A at +40°C
Pollution degree	3 / 2
Insulation resistance	>= 100 MΩ
Degree of protection	IP67 in mated condition
Temperature range	-40°C to +85°C
Mating cycles	>= 100

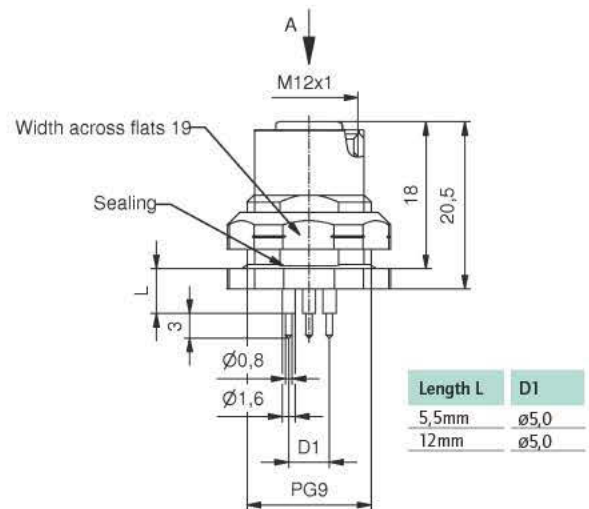
## PRODUCT DRAWING

### Pin Configuration

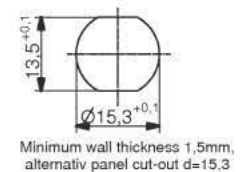
4-pos



### Dimension



### Cut-Out Front Panel

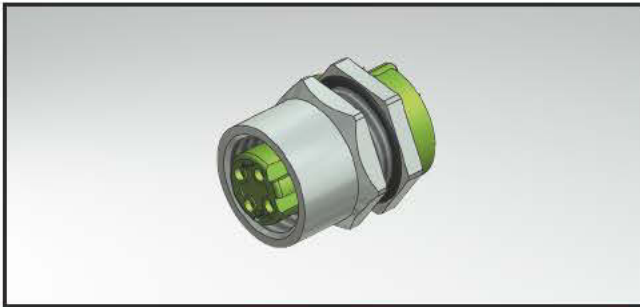


## ORDER DATA

Length/L Contacts	Description	4-pos Part-no.
5,5mm	SAL-12D-FKH4.2-P5,5-9	43-01236
12mm	SAL-12D-FKH4.2-P12-9	43-01248

# SAL M12x1 CONNECTORS – D-CODING INDUSTRIAL ETHERNET 100MHz

Female socket dip-solder, backmounting, axial, with shroud, installation height 5,5mm



RoHS compliant

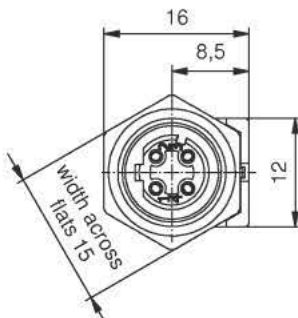
## TECHNICAL DATA

Rated voltage	4-pos 250V
Current rating	4A at +40°C
Pollution degree	3 / 2
Insulation resistance	$\geq 100 \text{ M}\Omega$
Degree of protection	IP67 in mated condition
Temperature range	-30°C to +85°C
Mating cycles	$\geq 100$

## PRODUCT DRAWING

### Pin Configuration

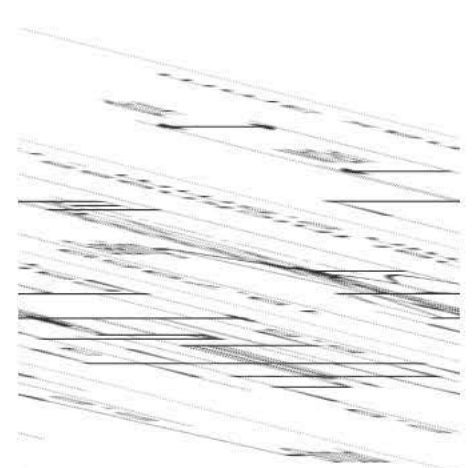
4-pos



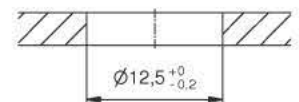
### Hole Pattern Printing Board



### Dimension



### Feedthrough

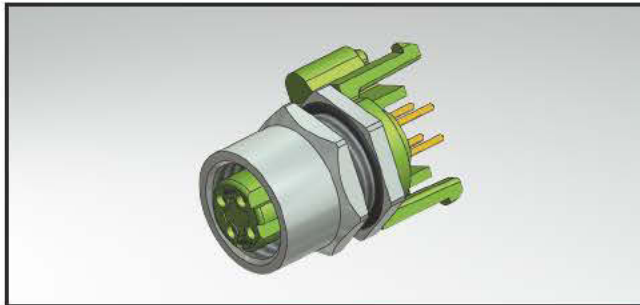


## ORDER DATA

Headroom	Description	4-pos Part-no.
5,5mm	SAL-12D-FKH4-X5,5	43-01223

# SAL M12x1 CONNECTORS – D-CODING INDUSTRIAL ETHERNET 100MHz

Female socket dip-solder, backmounting, axial, with shroud, installation height 10mm



RoHS compliant

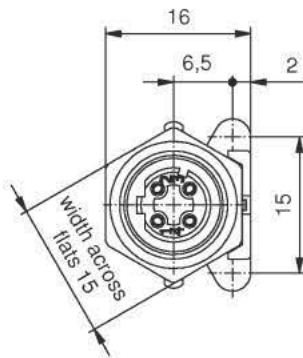
## TECHNICAL DATA

Rated voltage	4-pos 250V
Current rating	4A at +40°C
Pollution degree	3 / 2
Insulation resistance	$\geq 100 \text{ M}\Omega$
Degree of protection	IP67 in mated condition
Temperature range	-30°C to +85°C
Mating cycles	$\geq 100$

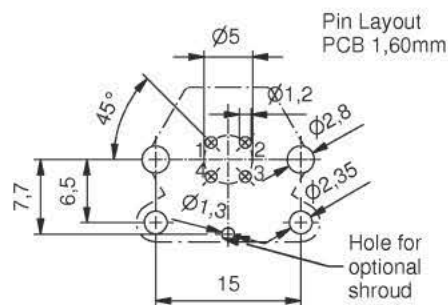
## PRODUCT DRAWING

### Pin Configuration

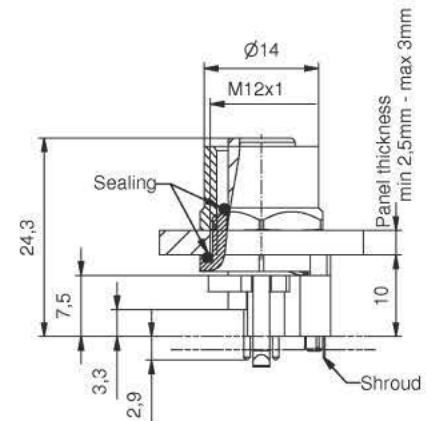
4-pos



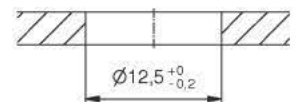
### Hole Pattern Printing Board



### Dimension



### Feedthrough

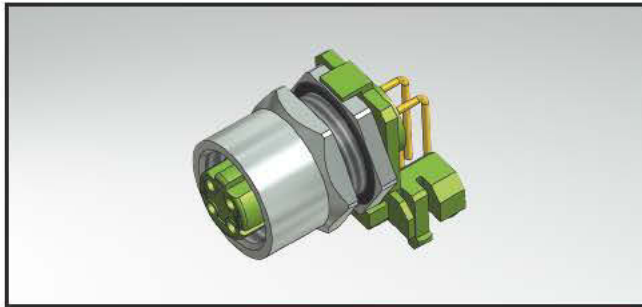


## ORDER DATA

Headroom	Description	4-pos Part-no.
10mm	SAL-12D-FKH4-X10	43-01221

# SAL M12x1 CONNECTORS – D-CODING INDUSTRIAL ETHERNET 100MHz

Female socket dip-solder, backmounting, angled, with shroud



RoHS compliant

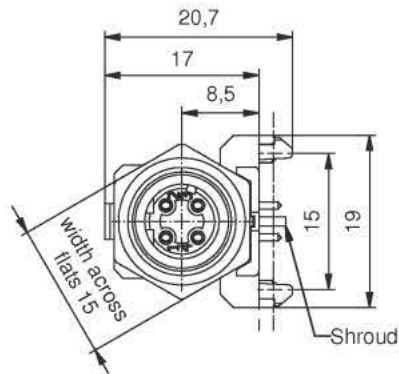
## TECHNICAL DATA

Rated voltage	4-pos 250V
Current rating	4A at +40°C
Pollution degree	3 / 2
Insulation resistance	$\geq 100 \text{ M}\Omega$
Degree of protection	IP67 in mated condition
Temperature range	-30°C to +85°C
Mating cycles	$\geq 100$

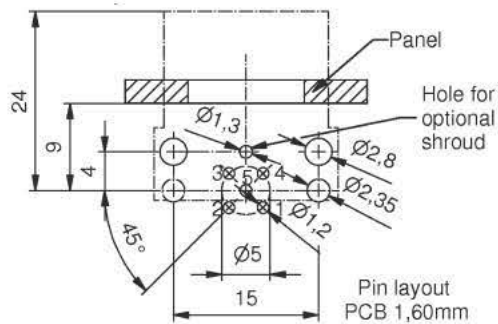
## PRODUCT DRAWING

### Pin Configuration

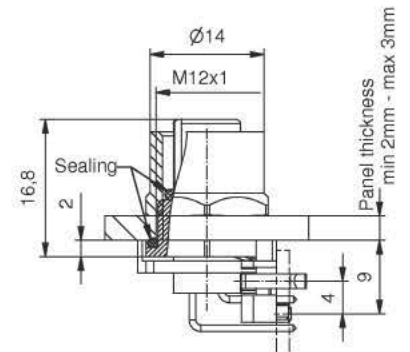
4-pos



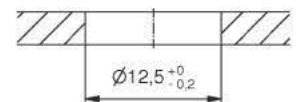
### Hole Pattern Printing Board



### Dimension



### Feedthrough



## ORDER DATA

Description	4-pos Part-no.
SAL-12D-FKHW4	43-01229

# SAL M12x1 CONNECTORS – D-CODING INDUSTRIAL ETHERNET

Female socket with shielded connection, backmounting, dip-solder



RoHS compliant

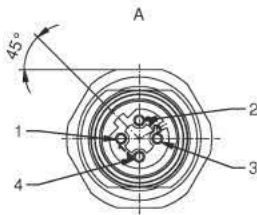
## TECHNICAL DATA

Rated voltage	4-pos 250V
Current rating	4A at +40°C
Pollution degree	3 / 2
Insulation resistance	≥ 100 MΩ
Degree of protection	IP67 in mated condition
Temperature range	-30°C to +85°C
Mating cycles	≥ 100

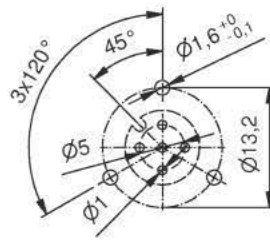
## PRODUCT DRAWING

### Pin Configuration

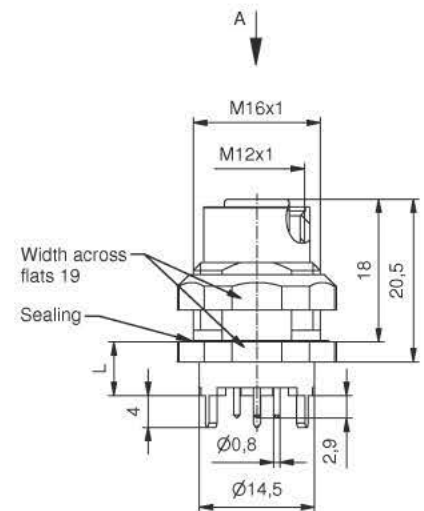
4-pos



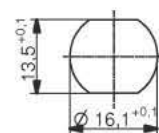
### Pin layout PCB



### Dimension



### Cut-Out Front Panel



Minimum wall thickness 1,5mm,  
alternativ panel cut-out d=16,1

## ORDER DATA

Length/L	Description	4-pos Part-no.
6,75mm	SAL-12D-FKH4-P6,75	43-01690

# SAL M12x1 CONNECTORS – D-CODING INDUSTRIAL ETHERNET

## Female socket with cable, backmounting



RoHS compliant

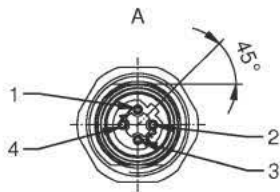
### TECHNICAL DATA

Rated voltage	4-pos 160V
Current rating	4A at +40°C
Pollution degree	3 / 2
Insulation resistance	>= 100 MΩ
Degree of protection	IP67 in mated condition
Temperature range	-30°C to +70°C
Mating cycles	>= 100

### PRODUCT DRAWING

#### Pin Configuration

4-pos



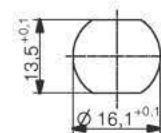
#### Contact Assignment

1	yellow
2	white
3	orange
4	blue
Shielding socket housing	

#### Dimension



#### Cut-Out Front Panel



Minimum wall thickness 1,5mm,  
alternativ panel cut-out d=16,1

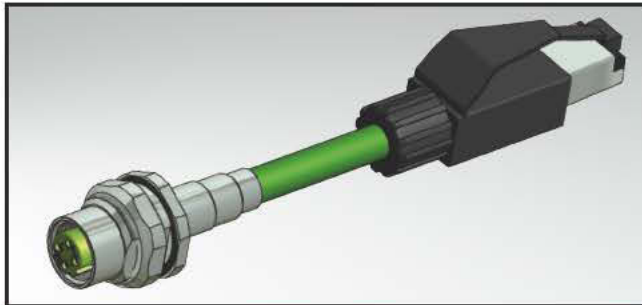
### ORDER DATA

Cable	Length/L	Description	4-pos Part-no.
TPU UL halogenfree green (RAL 6018) 4xAWG22	0,5m	SAL-12D-FKH4.2-0,5/G6	43-01660
	1m	SAL-12D-FKH4.2-1/G6	43-01661
	2m	SAL-12D-FKH4.2-2/G6	43-01662

For custom length or quality levels contact factory

# SAL M12x1 CONNECTORS RJ45 – M12x1 SOCKET D-CODING, INDUSTRIAL ETHERNET

Male socket RJ45 – M12x1 Female socket, with cable, backmounting



RoHS compliant

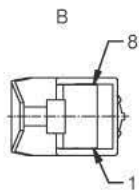
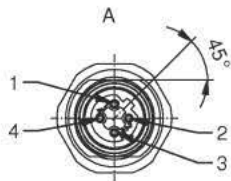
## TECHNICAL DATA

Rated voltage	4-pos 48V
Current rating	350mA at 40°C
Pollution degree	3 / 2
Insulation resistance	>= 100 MΩ
Degree of protection	RJ45: IP20 connected/ M12x1: IP67 in mated condition
Temperature range	-30°C to +70°C
Mating cycles	>= 100

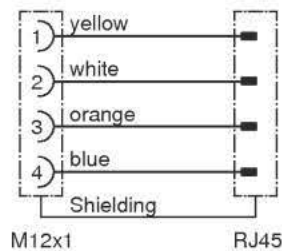
## PRODUCT DRAWING

### Pin Configuration

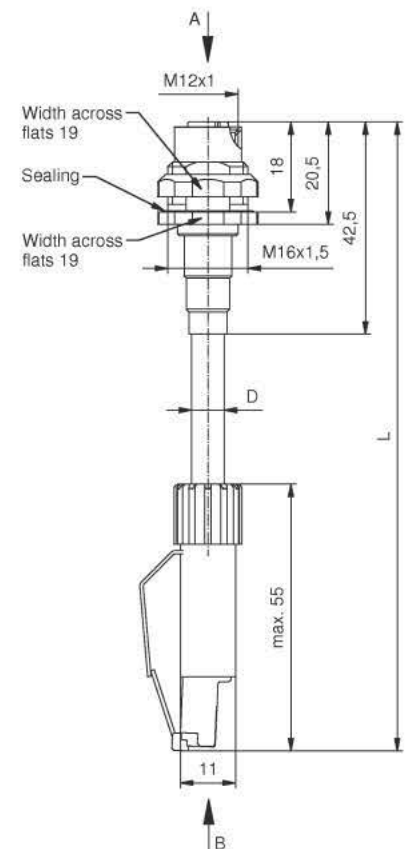
4-pos



### Contact Assignment



### Dimension



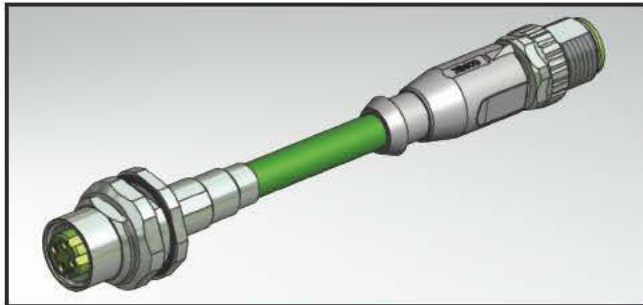
## ORDER DATA

Cable	Length / L	Description	4-pos Part-no.
TPU UL halogenfree green (RAL 6018) 4xAWG22	0,5m	SAL-45-SS4-12D-FKH4.2-0,5 / G6	43-01678
	1m	SAL-45-SS4-12D-FKH4.2-1 / G6	43-01679
	2m	SAL-45-SS4-12D-FKH4.2-2 / G6	43-01680

For custom length or quality levels contact factory

# SAL M12x1 CONNECTORS – D-CODING INDUSTRIAL ETHERNET

Connecting Cable Female socket with cable, backmounting – Male connector, axial



RoHS compliant

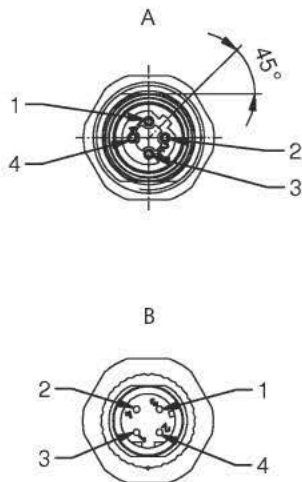
## TECHNICAL DATA

Rated voltage	4-pos 160V
Current rating	4A at +40°C
Pollution degree	3 / 2
Insulation resistance	>= 100 MΩ
Degree of protection	IP67 in mated condition
Temperature range	-30°C to +70°C
Mating cycles	>= 100

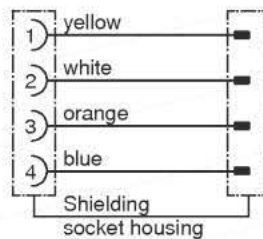
## PRODUCT DRAWING

### Pin Configuration

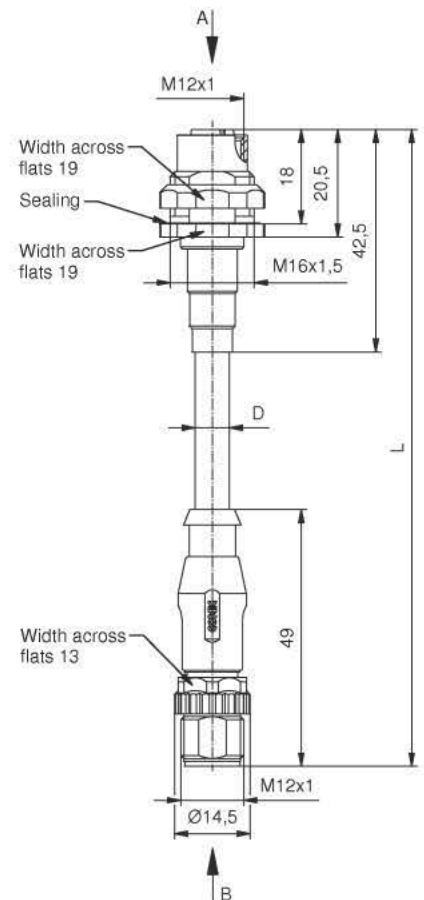
4-pos



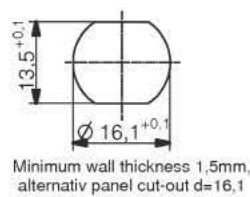
### Contact Assignment



### Dimension



### Cut-Out Front Panel



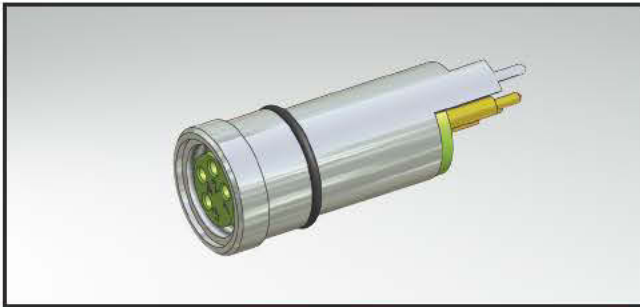
## ORDER DATA

Cable	Length/ L	Description	4-pos Part-no.
TPU UL halogenfree green (RAL 6018) 4xAWG22	0,5m	SAL-12D-FKH4.2-RS4.2-0,5 / G6	43-01672
	1m	SAL-12D-FKH4.2-RS4.2-1 / G6	43-01673
	2m	SAL-12D-FKH4.2-RS4.2-2 / G6	43-01674

For custom length or quality levels contact factory

# SAL M8x1 CONNECTORS

Panel Plugs, axial, print version for Industrial Ethernet



RoHS compliant

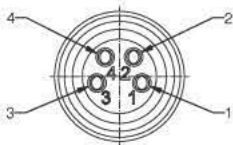
## TECHNICAL DATA

Rated voltage	4-pos 30V
Current rating	3A at +40°C
Pollution degree	3/2
Insulation resistance	$\geq 100 \text{ M}\Omega$
Degree of protection	IP67 in mated condition
Temperature range	-30°C to +85°C

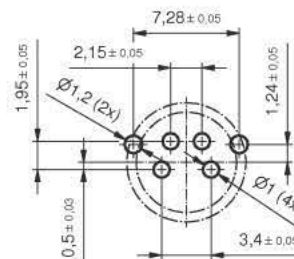
## PRODUCT DRAWING

### Pin Configuration

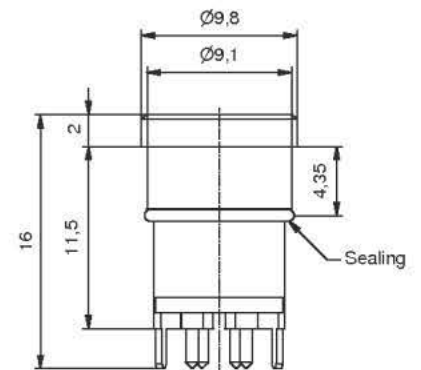
4-pos



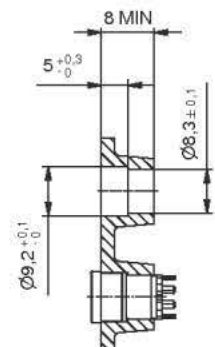
### Hole Pattern Printing Board



### Dimension



### Feedthrough

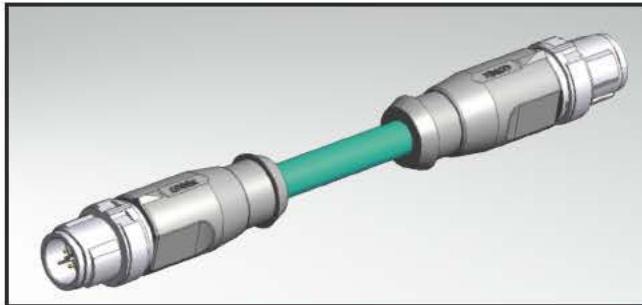


## ORDER DATA

Description	4-pos Part-no.
SAL-8D-EKVM4-P16	42-01052

# SAL M12x1 CONNECTORS – X-CODING 10 GIGABIT ETHERNET

Connecting cable Male connector – Male connector, axial



RoHS compliant

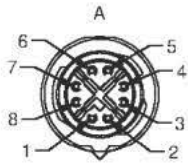
## TECHNICAL DATA

Rated voltage	8-pos 48V
Current rating	500mA at +40°C
Pollution degree	3
Insulation resistance	$\geq 100 \text{ M}\Omega$
Degree of protection	IP67 in mated condition
Temperature range	-25°C to +85°C
Mating cycles	$\geq 100$

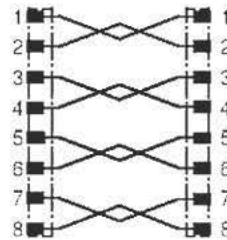
## PRODUCT DRAWING

### Pin Configuration

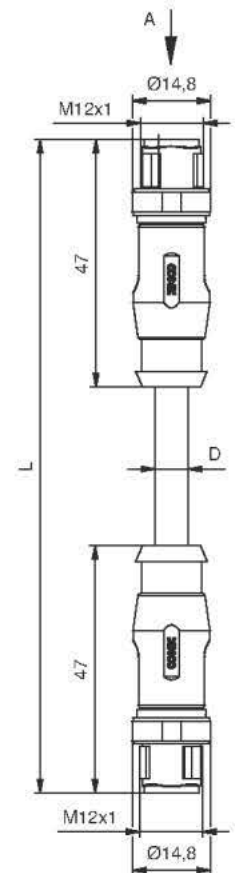
8-pos



### Contact Assignment



### Dimension



## ORDER DATA

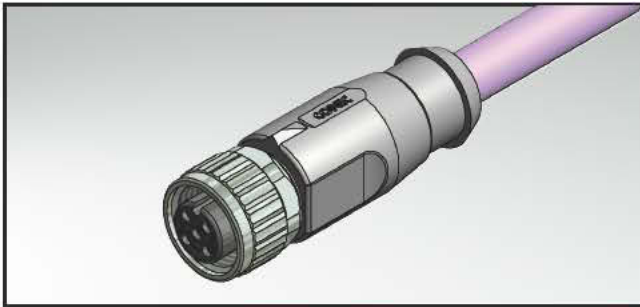
Cable	Length/L	Description	8-pos Part-no.
TPU waterblue (RAL 5021)	1m	SAL-12X-RS8.8-RS8.8-1 / GG	43-15364
S-FTP 4x2xAWG26/7	2m	SAL-12X-RS8.8-RS8.8-2 / GG	43-15365
	5m	SAL-12X-RS8.8-RS8.8-5 / GG	43-15366
	10m	SAL-12X-RS8.8-RS8.8-10 / GG	43-15367

For custom length or quality levels contact factory



# SAL M12x1 CONNECTORS – DEVICENET

Female connector, axial



RoHS compliant

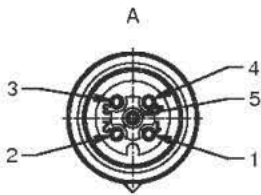
## TECHNICAL DATA

Rated voltage	5-pos 60V
Current rating	4A at +40°C
Pollution degree	3 / 2
Insulation resistance	>= 100 MΩ
Degree of protection	IP67 in mated condition
Temperature range	-20°C to +80°C
Mating cycles	>= 100

## PRODUCT DRAWING

### Pin Configuration

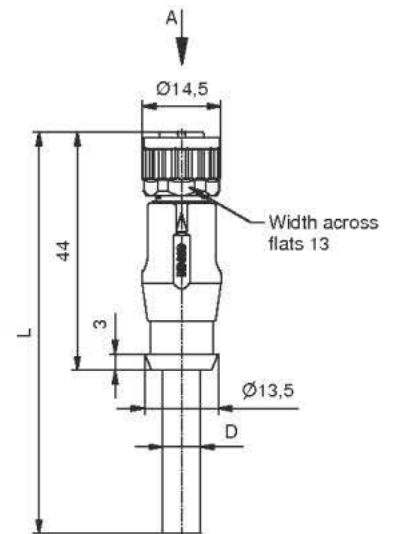
5-pos



### Contact Assignment

1	shielding
2	red (+)
3	black (-)
4	white (CAN H)
5	blue (CAN L)

### Dimension



## ORDER DATA

Cable	Length/L	Description	5-pos Part-no.
PVC UL grey 2xAWG22+2xAWG24	2m	SAL-DN-12-RK5.3-2 / GC	43-12508
	3m	SAL-DN-12-RK5.3-3 / GC	43-12509
	5m	SAL-DN-12-RK5.3-5 / GC	43-12510
	10m	SAL-DN-12-RK5.3-10 / GC	43-12511
TPU UL violet (RAL4001) 2xAWG22+2xAWG24	2m	SAL-DN-12-RK5.3-2 / GJ	43-12512
	3m	SAL-DN-12-RK5.3-3 / GJ	43-12513
	5m	SAL-DN-12-RK5.3-5 / GJ	43-12514
	10m	SAL-DN-12-RK5.3-10 / GJ	43-12515

For custom length or quality levels contact factory

# SAL M12x1 CONNECTORS – DEVICENET

Male connector, axial



RoHS compliant

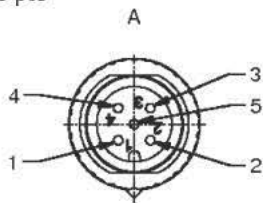
## TECHNICAL DATA

Rated voltage	5-pos 60V
Current rating	4A at +40°C
Pollution degree	3 / 2
Insulation resistance	≥ 100 MΩ
Degree of protection	IP67 in mated condition
Temperature range	-20°C to +80°C
Mating cycles	≥ 100

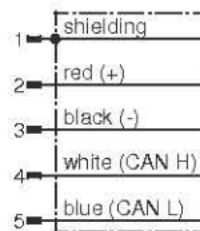
## PRODUCT DRAWING

### Pin Configuration

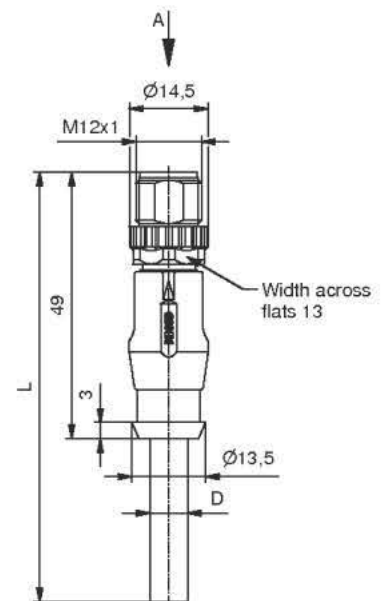
5-pos



### Contact Assignment



### Dimension



## ORDER DATA

Cable	Length / L	Description	5-pos Part-no.
PVC UL grey 2xAWG22+2xAWG24	2m	SAL-DN-12-RS5.3-2 / GC	43-12500
	3m	SAL-DN-12-RS5.3-3 / GC	43-12501
	5m	SAL-DN-12-RS5.3-5 / GC	43-12502
	10m	SAL-DN-12-RS5.3-10 / GC	43-12503
TPU UL violet (RAL4001) 2xAWG22+2xAWG24	2m	SAL-DN-12-RS5.3-2 / GJ	43-12504
	3m	SAL-DN-12-RS5.3-3 / GJ	43-12505
	5m	SAL-DN-12-RS5.3-5 / GJ	43-12506
	10m	SAL-DN-12-RS5.3-10 / GJ	43-12507

For custom length or quality levels contact factory

# SAL M12x1 CONNECTORS – DEVICENET

Female connector, angled



RoHS compliant

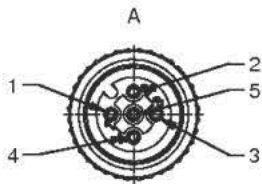
## TECHNICAL DATA

Rated voltage	5-pos 60V
Current rating	4A at +40°C
Pollution degree	3 / 2
Insulation resistance	>= 100 MΩ
Degree of protection	IP67 in mated condition
Temperature range	-20°C to +80°C
Mating cycles	>= 100

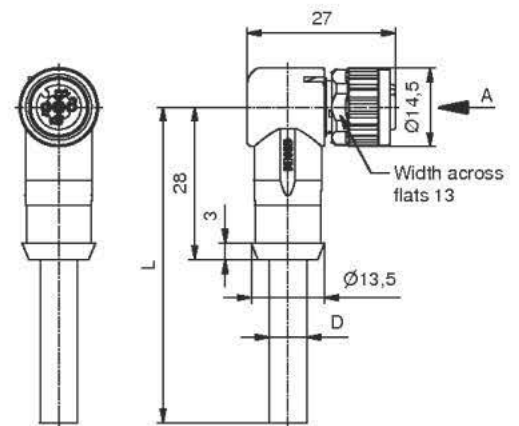
## PRODUCT DRAWING

### Contact Assignment

5-pos



1	shielding
2	red (+)
3	black (-)
4	white (CAN H)
5	blue (CAN L)



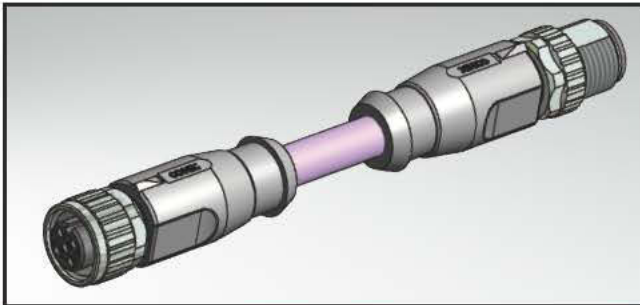
## ORDER DATA

Cable	Length/L	Description	5-pos Part-no.
PVC UL grey 2xAWG22+2xAWG24	2m	SAL-DN-12-RKW5.3-2/GC	43-12516
	3m	SAL-DN-12-RKW5.3-3/GC	43-12517
	5m	SAL-DN-12-RKW5.3-5/GC	43-12518
	10m	SAL-DN-12-RKW5.3-10/GC	43-12519
TPU UL violet (RAL4001) 2xAWG22+2xAWG24	2m	SAL-DN-12-RKW5.3-2/GJ	43-12520
	3m	SAL-DN-12-RKW5.3-3/GJ	43-12521
	5m	SAL-DN-12-RKW5.3-5/GJ	43-12522
	10m	SAL-DN-12-RKW5.3-10/GJ	43-12523

For custom length or quality levels contact factory

# SAL M12x1 CONNECTORS – DEVICENET

Connecting cable Female connector, axial – Male connector, axial



RoHS compliant

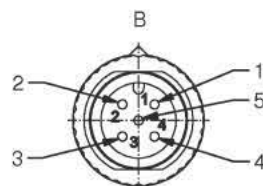
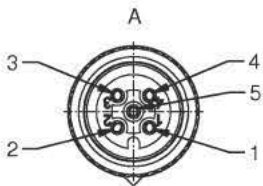
## TECHNICAL DATA

Rated voltage	5-pos 60V
Current rating	4A at +40°C
Pollution degree	3 / 2
Insulation resistance	>= 100 MΩ
Degree of protection	IP67 in mated condition
Temperature range	-20°C to +80°C
Mating cycles	>= 100

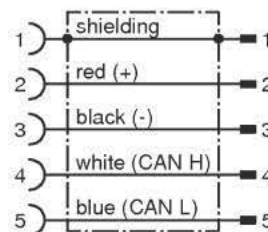
## PRODUCT DRAWING

### Pin Configuration

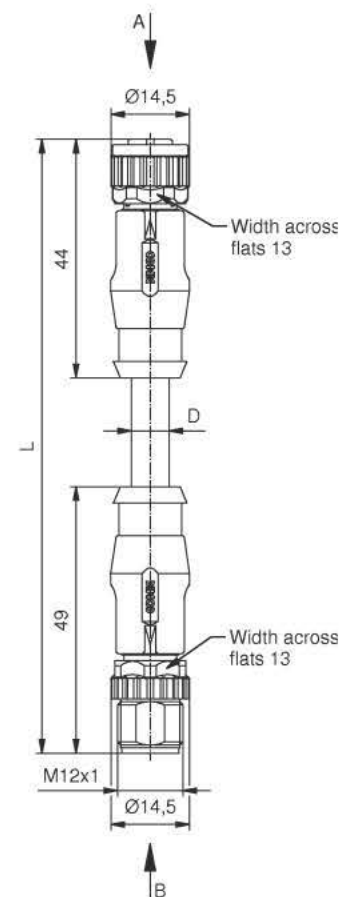
5-pos



### Contact Assignment



### Dimension



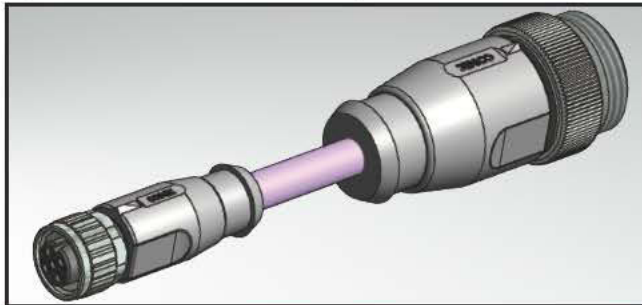
## ORDER DATA

Cable	Length / L	Description	5-pos Part-no.
PVC UL grey 2xAWG22+2xAWG24	0,3m	SAL-DN-12-RK5.3-RS5.3-0,3 / GC	43-12524
	0,6m	SAL-DN-12-RK5.3-RS5.3-0,6 / GC	43-12525
	1,5m	SAL-DN-12-RK5.3-RS5.3-1,5 / GC	43-12526
	3m	SAL-DN-12-RK5.3-RS5.3-3 / GC	43-12527
TPU UL violet (RAL4001) 2xAWG22+2xAWG24	0,3m	SAL-DN-12-RK5.3-RS5.3-0,3 / GJ	43-12528
	0,6m	SAL-DN-12-RK5.3-RS5.3-0,6 / GJ	43-12529
	1,5m	SAL-DN-12-RK5.3-RS5.3-1,5 / GJ	43-12530
	3m	SAL-DN-12-RK5.3-RS5.3-3 / GJ	43-12531

For custom length or quality levels contact factory

# SAL M12x1 / 7/8" CONNECTORS – DEVICENET

Connecting cable M12x1 Female connector, axial –  
7/8" Male connector, axial Cable for flexible installation



RoHS compliant

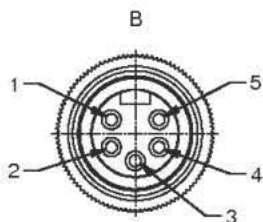
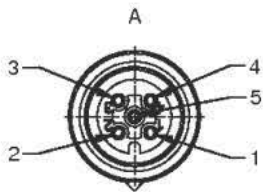
## TECHNICAL DATA

Rated voltage	5-pos 60V
Current rating	4A at +40°C
Pollution degree	3 / 2
Insulation resistance	>= 100 MΩ
Degree of protection	IP67 in mated condition
Temperature range	-20°C to +80°C
Mating cycles	>= 100

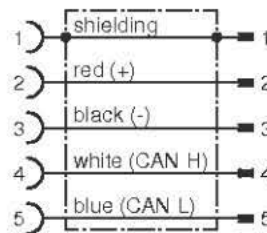
## PRODUCT DRAWING

### Pin Configuration

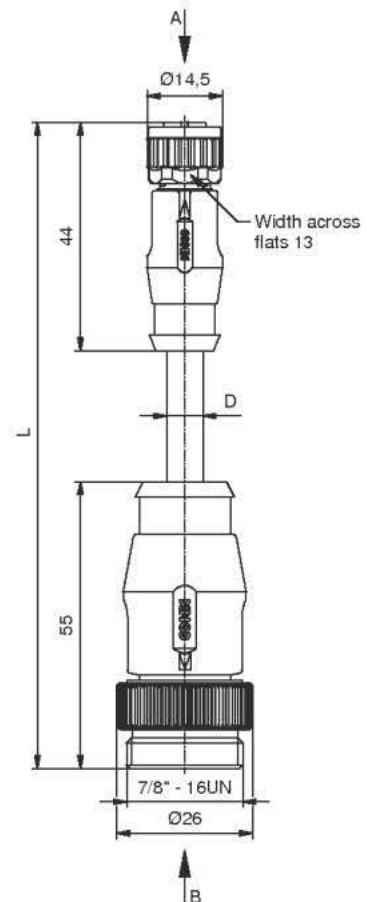
5-pos



### Contact Assignment



### Dimension



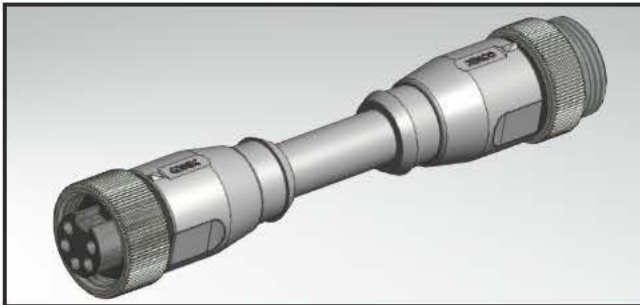
## ORDER DATA

Cable	Length / L	Description	5-pos Part-no.
PVC UL grey 2xAWG22+2xAWG24	0,3m	SAL-DN-12-RK5.3-7 / 8-RS5.3-0,3 / GC	43-12532
	0,6m	SAL-DN-12-RK5.3-7 / 8-RS5.3-0,6 / GC	43-12533
	1,5m	SAL-DN-12-RK5.3-7 / 8-RS5.3-1,5 / GC	43-12534
	3m	SAL-DN-12-RK5.3-7 / 8-RS5.3-3 / GC	43-12535
TPU UL violet (RAL4001) 2xAWG22+2xAWG24	0,3m	SAL-DN-12-RK5.3-7 / 8-RS5.3-0,3 / GJ	43-12536
	0,6m	SAL-DN-12-RK5.3-7 / 8-RS5.3-0,6 / GJ	43-12537
	1,5m	SAL-DN-12-RK5.3-7 / 8-RS5.3-1,5 / GJ	43-12538
	3m	SAL-DN-12-RK5.3-7 / 8-RS5.3-3 / GJ	43-12539

For custom length or quality levels contact factory

# SAL 7/8" CONNECTORS – DEVICENET

Connecting cable Female connector, axial – Male connector, axial



RoHS compliant

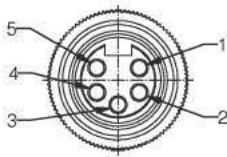
## TECHNICAL DATA

Rated voltage	5-pos 60V
Current rating	4A at +40°C
Pollution degree	3 / 2
Insulation resistance	>= 100 MΩ
Degree of protection	IP67 in mated condition
Temperature range	-20°C to +80°C
Mating cycles	>= 100

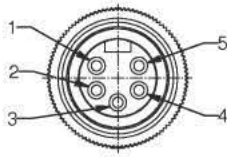
## PRODUCT DRAWING

### Pin Configuration

5-pos



A

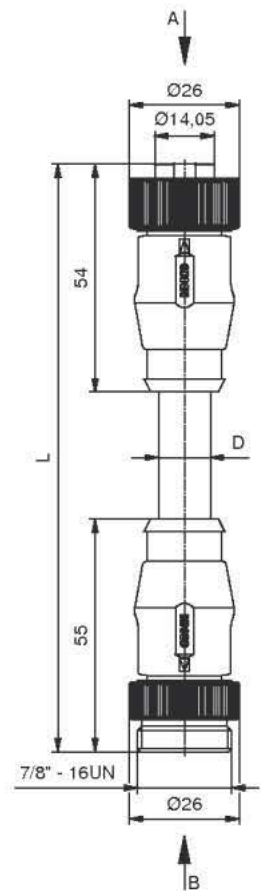


B

### Contact Assignment



### Dimension



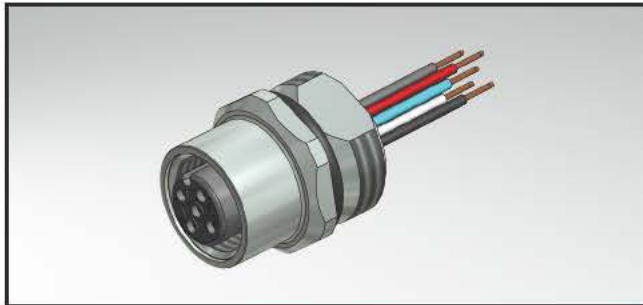
## ORDER DATA

Cable	Length / L	Description	5-pos Part-no.
PVC UL grey 2xAWG15+2xAWG18	5m	SAL-DN-7 / 8-RK5.3-RS5.3-5 / GC	41-01382
	10m	SAL-DN-7 / 8-RK5.3-RS5.3-10 / GC	41-01383
	20m	SAL-DN-7 / 8-RK5.3-RS5.3-20 / GC	41-01384

For custom length or quality levels contact factory

# SAL M12x1 CONNECTORS – DEVICENET

Female Socket with wire, frontmounting, M16x1,5-thread



RoHS compliant

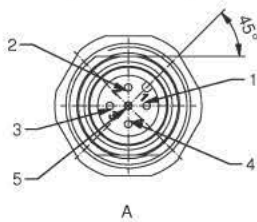
## TECHNICAL DATA

Rated voltage	5-pos 60V
Current rating	4A at +40°C
Pollution degree	3 / 2
Insulation resistance	>= 100 MΩ
Degree of protection	IP67 in mated condition
Temperature range	-30°C to +80°C
Mating cycles	>= 100

## PRODUCT DRAWING

### Pin Configuration

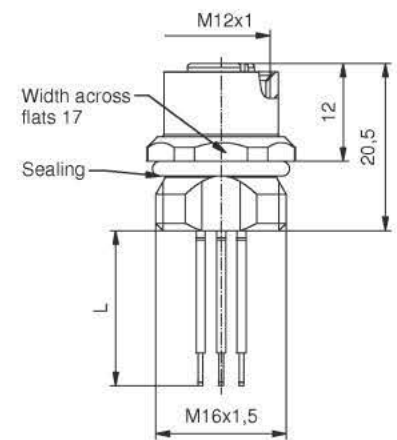
5-pos



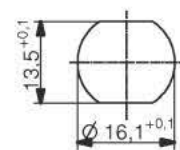
### Contact Assignment

1) grey (shielding)
2) red (+)
3) black (-)
4) white (CAN H)
5) blue (CAN L)

### Dimension



### Cut-Out Front Panel



Minimum wall thickness 1,5mm,  
alternativ panel cut-out d=16,1

## ORDER DATA

Wire	Length / L	Description	5-pos Part-no.
PVC, AWG24, UL	0,5m	SAL-DN-12-FK5.3-0,5	43-01367

# SAL M12x1 CONNECTORS – DEVICENET

Male Socket with wire, backmounting, M16x1,5-thread



RoHS compliant

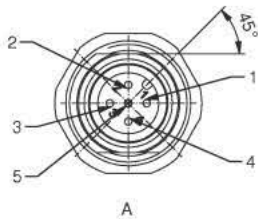
## TECHNICAL DATA

Rated voltage	5-pos 250V
Current rating	4A at +40°C
Pollution degree	3 / 2
Insulation resistance	>= 100 MΩ
Degree of protection	IP67 in mated condition
Temperature range	-30°C to +80°C
Mating cycles	>= 100

## PRODUCT DRAWING

### Pin Configuration

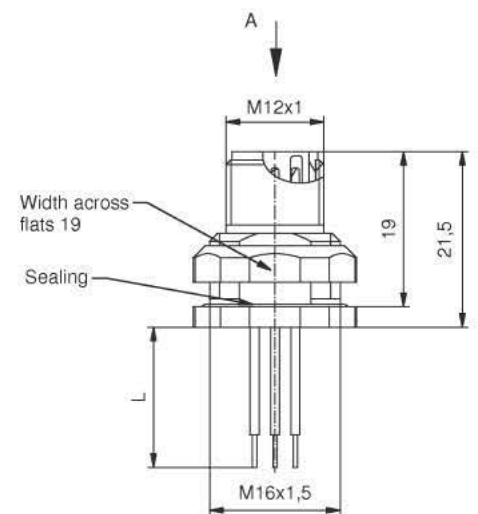
5-pos



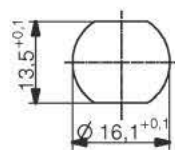
### Contact Assignment

- 1 grey (shielding)
- 2 red (+)
- 3 black (-)
- 4 white (CAN H)
- 5 blue (CAN L)

### Dimension



### Cut-Out Front Panel



Minimum wall thickness 1,5mm,  
alternativ panel cut-out d=16,1

## ORDER DATA

Wire	Length/L	Description	5-pos Part-no.
PVC, AWG24, UL	0,5m	SAL-DN-12-FSH5.3-0,5	43-01368

# SAL M12x1 CONNECTORS – DEVICENET

Female socket with cable, backmounting



RoHS compliant

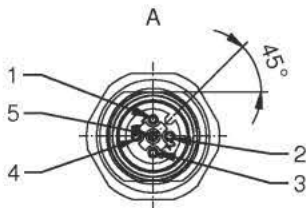
## TECHNICAL DATA

Rated voltage	5-pos 60V
Current rating	4A at +40°C
Pollution degree	3 / 2
Insulation resistance	≥ 100 MΩ
Degree of protection	IP67 in mated condition
Temperature range	-30°C to +80°C
Mating cycles	≥ 100

## PRODUCT DRAWING

### Pin Configuration

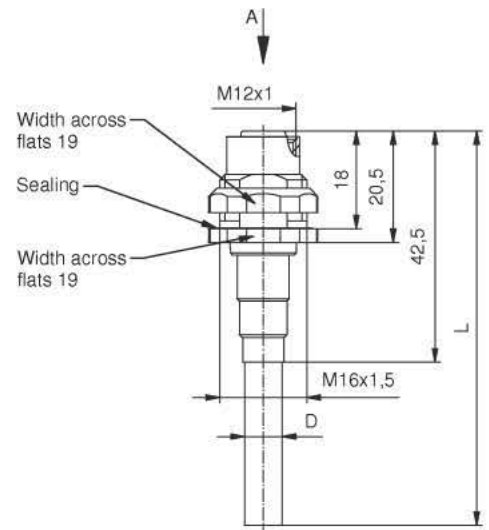
5-pos



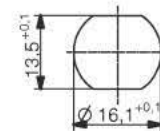
### Contact Assignment

1	shielding
2	red (+)
3	black (-)
4	white (CAN H)
5	blue (CAN L)

### Dimension



### Cut-Out Front Panel



Minimum wall thickness 1,5mm.  
alternativ panel cut-out d=16,1

## ORDER DATA

Cable	Length/L	Description	5-pos Part-no.
TPU UL, halogenfree violet (RAL4001) 2xAWG22+2xAWG24	0,5m	SAL-DN-12-FKH5.3-0,5/GJ	43-01642
	1m	SAL-DN-12-FKH5.3-1/GJ	43-01643
	2m	SAL-DN-12-FKH5.3-2/GJ	43-01644

For custom length or quality levels contact factory

# SAL M12x1 CONNECTORS – DEVICENET

Male socket with cable, backmounting



RoHS compliant

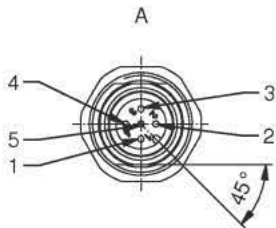
## TECHNICAL DATA

Rated voltage	5-pos 60V
Current rating	4A at +40°C
Pollution degree	3 / 2
Insulation resistance	$\geq 100 \text{ M}\Omega$
Degree of protection	IP67 in mated condition
Temperature range	-30°C to +80°C
Mating cycles	$\geq 100$

## PRODUCT DRAWING

### Pin Configuration

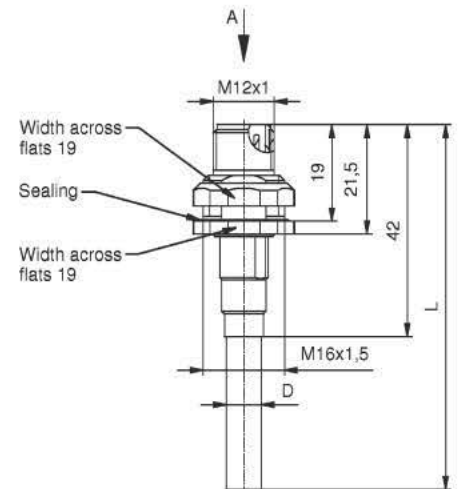
5-pos



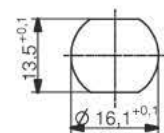
### Contact Assignment

1	shielding
2	red (+)
3	black (-)
4	white (CAN H)
5	blue (CAN L)

### Dimension



### Cut-Out Front Panel



Minimum wall thickness 1,5mm,  
alternativ panel cut-out d=16,1

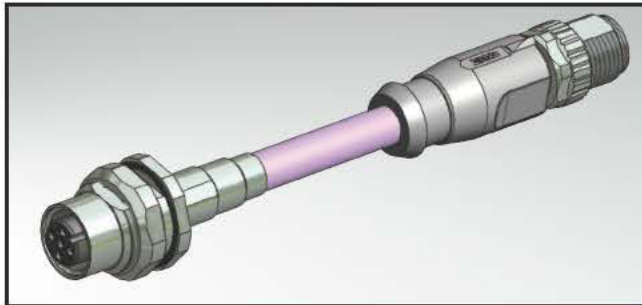
## ORDER DATA

Cable	Length / L	Description	5-pos Part-no.
TPU UL, halogenfree violet (RAL4001) 2xAWG22+2xAWG24	0,5m	SAL-DN-12-FSH5.3-0,5 / GJ	43-01645
	1m	SAL-DN-12-FSH5.3-1 / GJ	43-01646
	2m	SAL-DN-12-FSH5.3-2 / GJ	43-01647

For custom length or quality levels contact factory

# SAL M12x1 CONNECTORS – DEVICENET

Connecting Cable Female socket with cable, backmounting – Male connector, axial



RoHS compliant

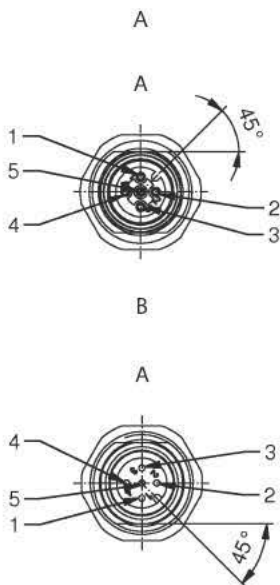
## TECHNICAL DATA

Rated voltage	5-pos 60V
Current rating	4A at +40°C
Pollution degree	3 / 2
Insulation resistance	≥ 100 MΩ
Degree of protection	IP67 in mated condition
Temperature range	-30°C to +80°C
Mating cycles	≥ 100

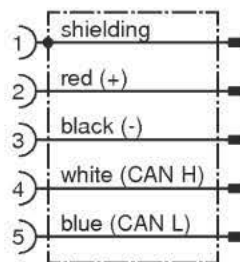
## PRODUCT DRAWING

### Pin Configuration

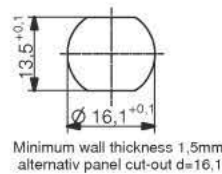
5-pos



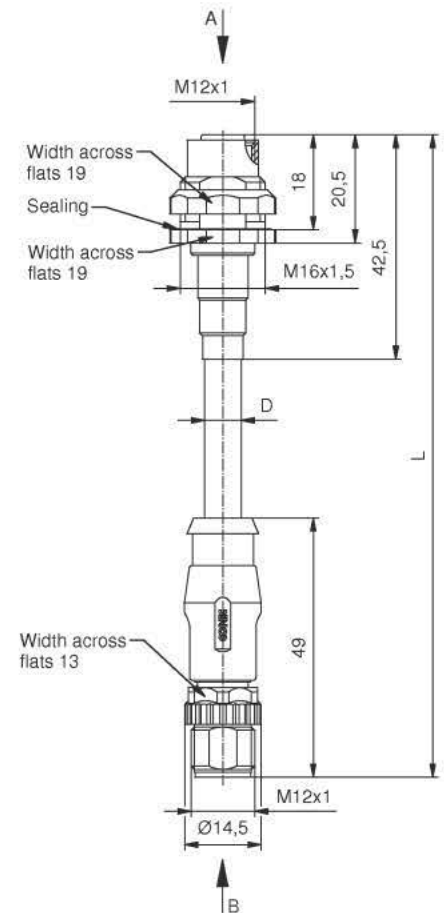
### Contact Assignment



### Cut-Out Front Panel



### Dimension



## ORDER DATA

Cable	Length/L	Description	5-pos Part-no.
TPU UL, halogenfree violet (RAL4001) 2xAWG22+2xAWG24	0,5m	SAL-DN-12-FKH5.3-RS5.3-0,5/GJ	43-01666
	1m	SAL-DN-12-FKH5.3-RS5.3-1/GJ	43-01667
	2m	SAL-DN-12-FKH5.3-RS5.3-2/GJ	43-01668

For custom length or quality levels contact factory

# SAL M12x1 CONNECTORS – DEVICENET

## Terminating Plug



RoHS compliant

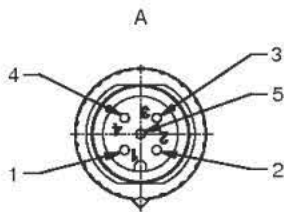
### TECHNICAL DATA

Rated voltage	5-pos 60V
Pollution degree	3 / 2
Insulation resistance	>= 100 MΩ
Degree of protection	IP67 in mated condition
Temperature range	-30°C to +80°C
Mating cycles	>= 100

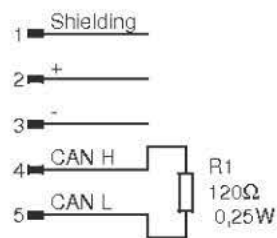
### PRODUCT DRAWING

#### Pin Configuration

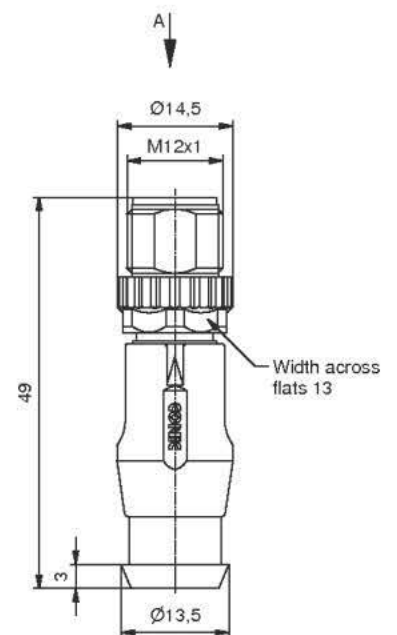
5-pos



#### Contact Assignment



#### Dimension



### ORDER DATA

Description	5-pos Part-no.
SAL-DN-12-RSA5.3	43-12642

# SAL 7/8" CONNECTORS – DEVICENET

## Terminating Plug



RoHS compliant

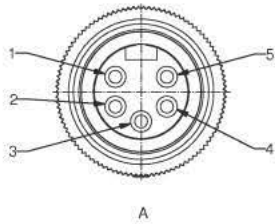
### TECHNICAL DATA

Rated voltage	5-pos 24V
Current rating	
Pollution degree	3 / 2
Insulation resistance	$\geq 100 \text{ M}\Omega$
Degree of protection	IP67 in mated condition
Temperature range	-30°C to +80°C
Mating cycles	$\geq 100$

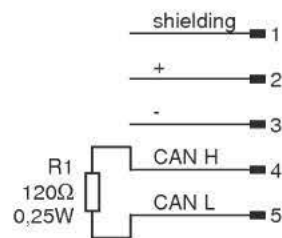
### PRODUCT DRAWING

#### Pin Configuration

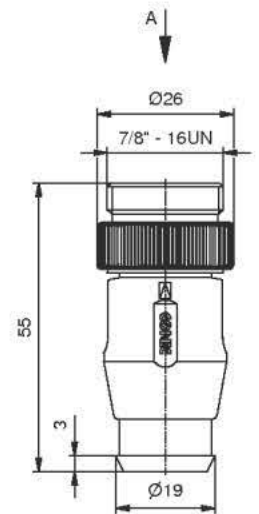
5-pos



#### Contact Assignment



#### Dimension

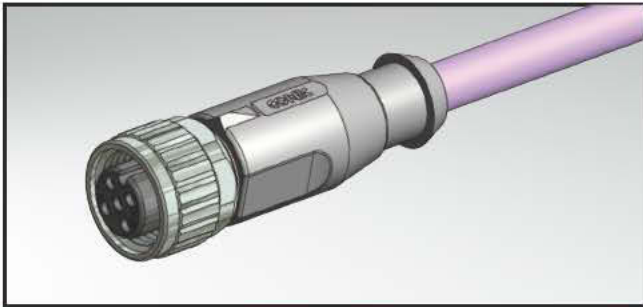


### ORDER DATA

Description	5-pos Part-no.
SAL-DN-7/8-RSA5.3	41-01304

# SAL M12x1 CONNECTORS – CAN-BUS

Female connector, axial



RoHS compliant

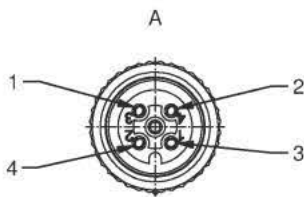
## TECHNICAL DATA

Rated voltage	4-pos 60V
Current rating	4A at +40°C
Pollution degree	3 / 2
Insulation resistance	>= 100 MΩ
Degree of protection	IP67 in mated condition
Temperature range	-5°C to +60°C
Mating cycles	>= 100

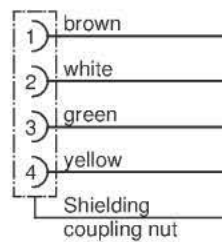
## PRODUCT DRAWING

### Pin Configuration

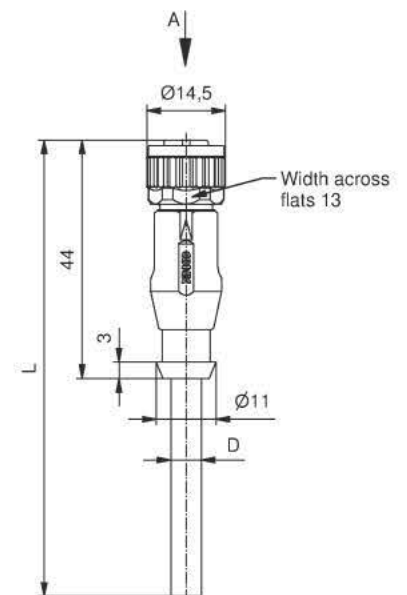
4-pos



### Contact Assignment



### Dimension



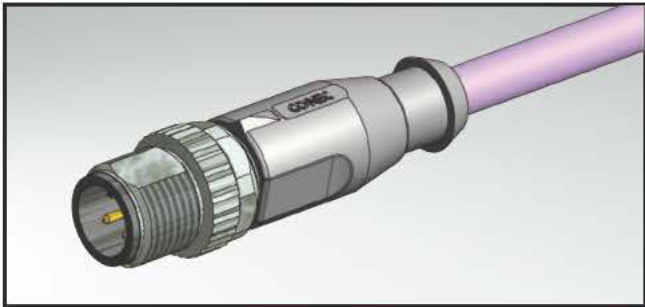
## ORDER DATA

Cable	Length/L	Description	4-pos Part-no.
PVC violet (RAL4001) 2x2AWG24/7	2m	SAL-CN-12S-RK4.41-2 / GU	43-14380
	3m	SAL-CN-12S-RK4.41-3 / GU	43-14381
	5m	SAL-CN-12S-RK4.41-5 / GU	43-14382
	10m	SAL-CN-12S-RK4.41-10 / GU	43-14383

For custom length or quality levels contact factory

# SAL M12x1 CONNECTORS – CAN-Bus

Male connector, axial



RoHS compliant

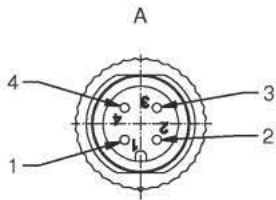
### TECHNICAL DATA

Rated voltage	4-pos 60V
Current rating	4A at +40°C
Pollution degree	3 / 2
Insulation resistance	>= 100 MΩ
Degree of protection	IP67 in mated condition
Temperature range	-5 °C to +60 °C
Mating cycles	>= 100

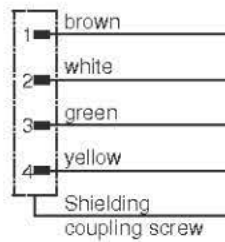
### PRODUCT DRAWING

#### Pin Configuration

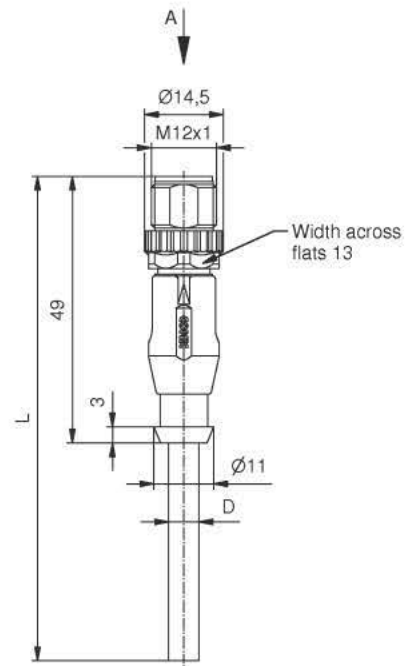
4-pos



#### Contact Assignment



#### Dimension



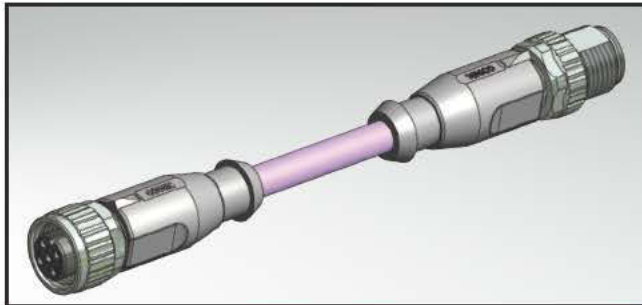
### ORDER DATA

Cable	Length/ L	Description	4-pos Part-no.
PVC violet (RAL4001) 2x2AWG24/7	2m	SAL-CN-12S-RS4.41-2 / GU	43-14384
	3m	SAL-CN-12S-RS4.41-3 / GU	43-14385
	5m	SAL-CN-12S-RS4.41-5 / GU	43-14386
	10m	SAL-CN-12S-RS4.41-10 / GU	43-14387

For custom length or quality levels contact factory

# SAL M12x1 CONNECTORS – CAN-BUS

Female connector, axial – Male connector, axial



RoHS compliant

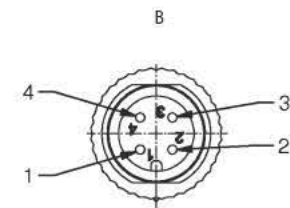
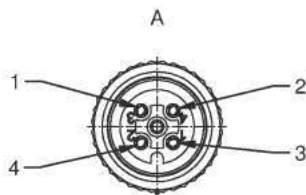
## TECHNICAL DATA

Rated voltage	4-pos 60V
Current rating	4A at +40°C
Pollution degree	3 / 2
Insulation resistance	>= 100 MΩ
Degree of protection	IP67 in mated condition
Temperature range	-5°C to +60°C
Mating cycles	>= 100

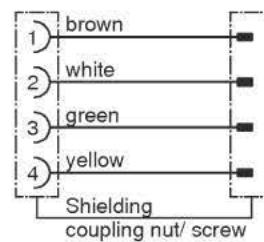
## PRODUCT DRAWING

### Pin Configuration

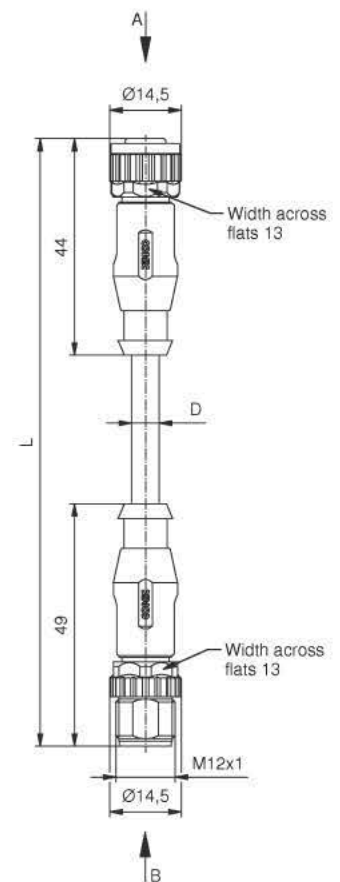
4-pos



### Contact Assignment



### Dimension



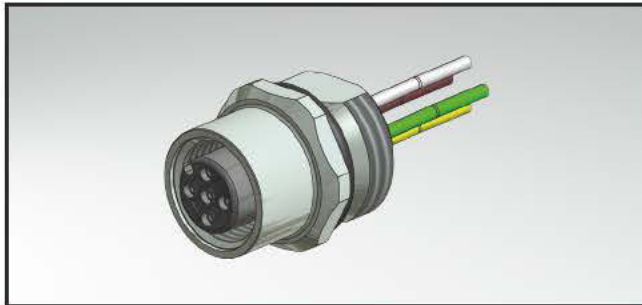
## ORDER DATA

Cable	Length/ L	Description	4-pos Part-no.
PVC violet (RAL4001) 2x2AWG24/7	0,3m	SAL-CN-12S-RK4.41-RS4.41-0,3 / GU	43-14388
	0,6m	SAL-CN-12S-RK4.41-RS4.41-0,6 / GU	43-14389
	1,5m	SAL-CN-12S-RK4.41-RS4.41-1,5 / GU	43-14390
	3m	SAL-CN-12S-RK4.41-RS4.41-3 / GU	43-14391

For custom length or quality levels contact factory

# SAL M12x1 CONNECTORS – CAN-Bus

Female socket with wire, frontmounting, M16x1,5-thread



RoHS compliant

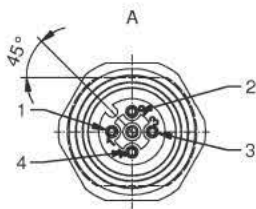
## TECHNICAL DATA

Rated voltage	4-pos 250V
Current rating	4A at +40°C
Pollution degree	3 / 2
Insulation resistance	>= 100 MΩ
Degree of protection	IP67 in mated condition
Temperature range	-30°C to +80°C
Mating cycles	>= 100

## PRODUCT DRAWING

### Pin Configuration

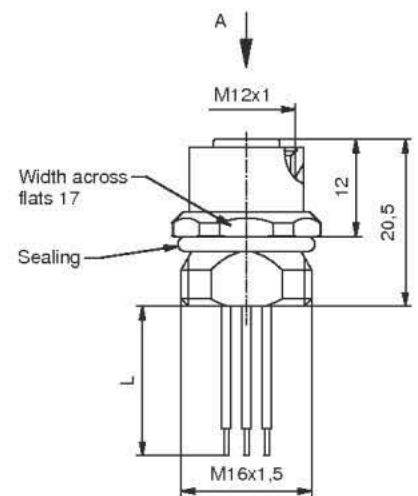
4-pos



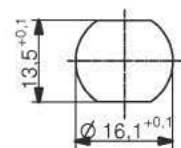
### Contact Assignment

- 1) brown
- 2) white
- 3) green
- 4) yellow

### Dimension



### Cut-Out Front Panel



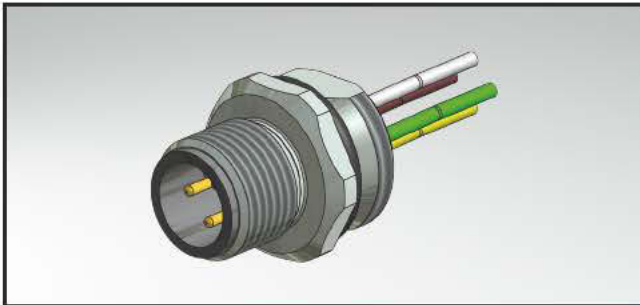
Minimum wall thickness 1,5mm,  
alternativ panel cut-out d=16,1

## ORDER DATA

Wire	Length/L	Description	4-pos Part-no.
PVC, AWG24	0,5m	SAL-12-FK4.41-0,5	43-01703

# SAL M12x1 CONNECTORS – CAN-Bus

Male socket with wire, frontmounting, M16x1,5-thread



RoHS compliant

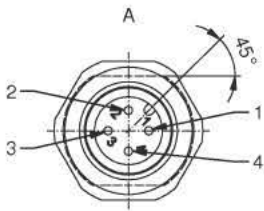
## TECHNICAL DATA

Rated voltage	4-pos 250V
Current rating	4A at +40°C
Pollution degree	3 / 2
Insulation resistance	>= 100 MΩ
Degree of protection	IP67 in mated condition
Temperature range	-30°C to +80°C
Mating cycles	>= 100

## PRODUCT DRAWING

### Pin Configuration

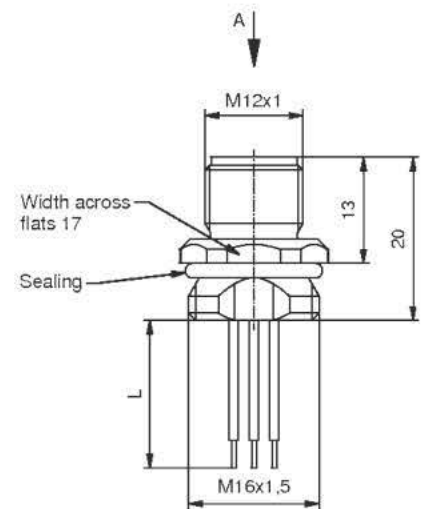
4-pos



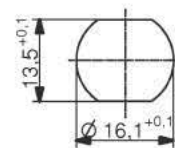
### Contact Assignment

1	brown
2	white
3	green
4	yellow

### Dimension



### Cut-Out Front Panel



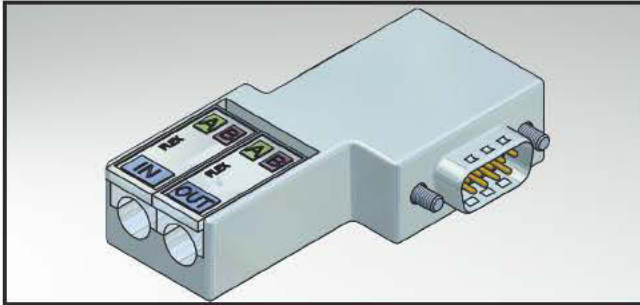
Minimum wall thickness 1,5mm,  
alternativ panel cut-out d=16,1

## ORDER DATA

Wire	Length/L	Description	4-pos Part-no.
PVC, AWG24	0,5m	SAL-12-FS4.41-0,5	43-01704

## SAL CONNECTORS D-SUB – PROFIBUS DP

D-SUB Male connector, 9-pos, angled, with programming interface and quick connection for flexible conductor



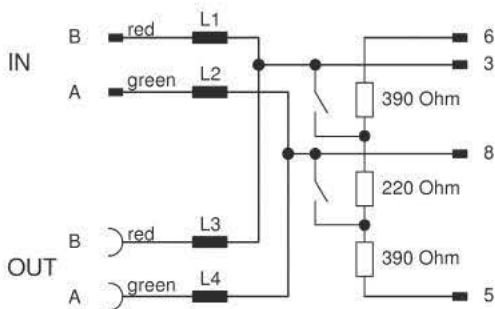
RoHS compliant

### TECHNICAL DATA

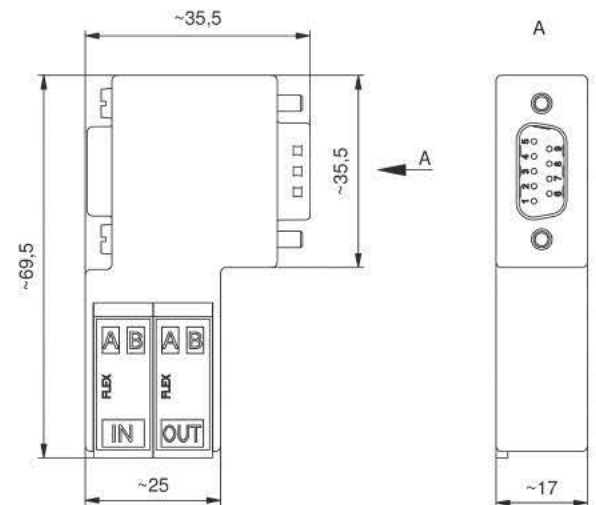
Rated voltage	9-pos 4,75 - 5,25 V DC
Current rating	12,5 mA
Degree of protection	IP40
Temperature range	-25°C to +60°C
Mating cycles	>= 100

### PRODUCT DRAWING

#### Contact Assignment



#### Dimension

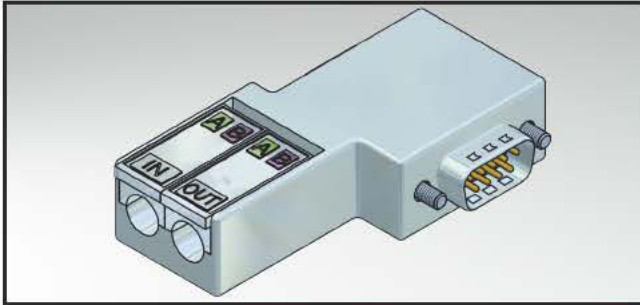


### ORDER DATA

Description	9-pos Part-no.
SAL-DS-SKSW9F	43-11311

## SAL CONNECTORS D-SUB – PROFIBUS DP

D-SUB Male connector, 9-pos, angled, with programming interface and quick connection for inflexible conductor



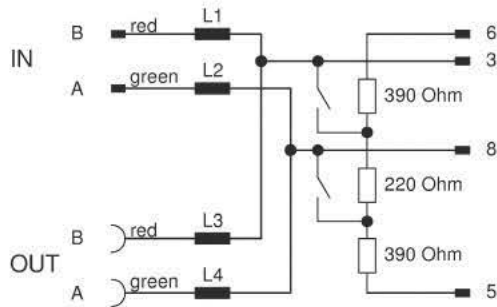
RoHS compliant

### TECHNICAL DATA

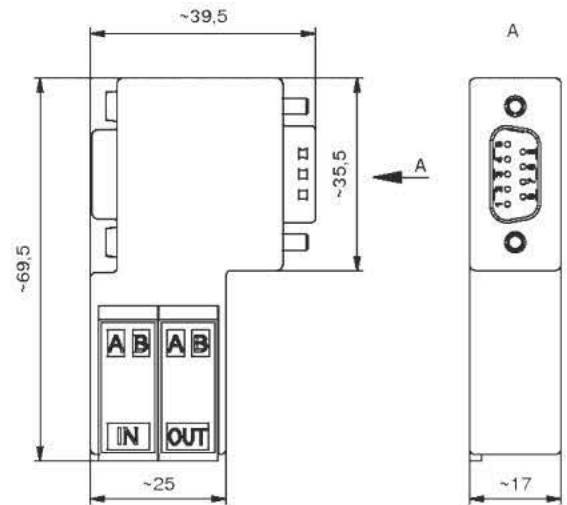
Rated voltage	9-pos 4,75 - 5,25 V DC
Current rating	12,5 mA
Degree of protection	IP40
Temperature range	-25°C to +60°C
Mating cycles	>= 100

### PRODUCT DRAWING

#### Contact Assignment



#### Dimension

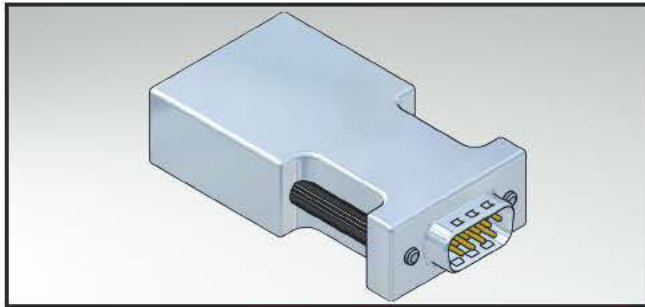


### ORDER DATA

Description	9-pos Part-no.
SAL-DS-SKSW9	43-11520

# SAL CONNECTORS D-SUB – PROFIBUS DP

D-SUB Male connector, 9-pos, axial, with screw termination



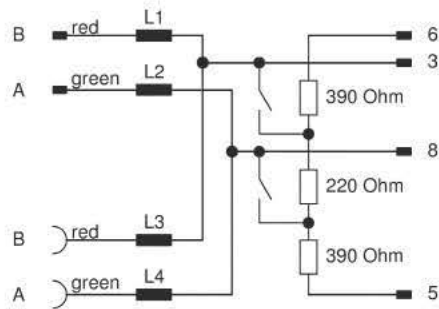
RoHS compliant

## TECHNICAL DATA

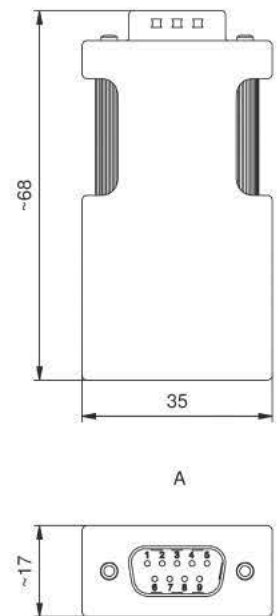
Rated voltage	9-pos 4,75 - 5,25 V DC
Current rating	12,5 mA
Degree of protection	IP40
Temperature range	-25°C to +60°C
Mating cycles	>= 100

## PRODUCT DRAWING

### Contact Assignment



### Dimension

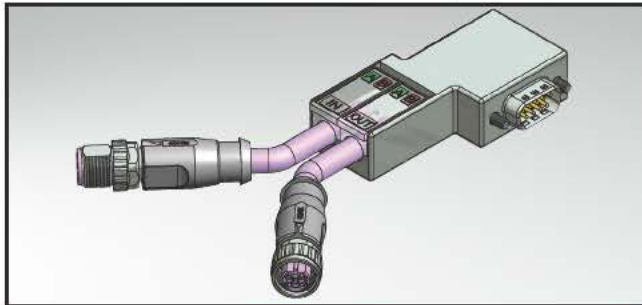


## ORDER DATA

Description	9-pos Part-no.
SAL-DS-SS9S	43-11929

# SAL CONNECTORS D-SUB WITH M12x1 – PROFIBUS DP

Connecting cable D-SUB Male connector, angled, 9-pos, with programming interface – Male connector/Female connector M12x1, axial, B-coding, 4-pos



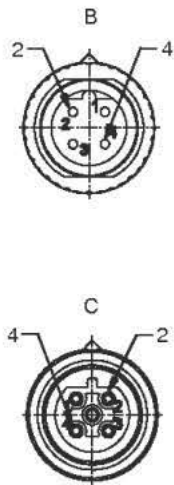
RoHS compliant

## TECHNICAL DATA

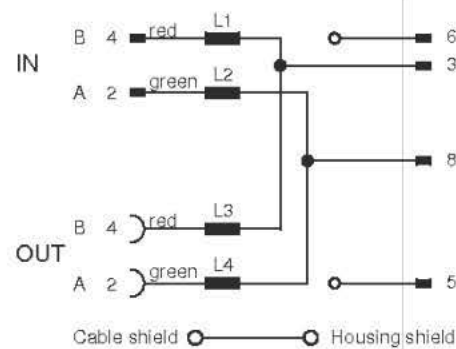
Rated voltage	9/4-pos 4,75 - 5,25 V DC
Degree of protection	IP40 at D-SUB / IP67 at M12x1
Temperature range	-25°C to +60°C
Mating cycles	≥ 100

## PRODUCT DRAWING

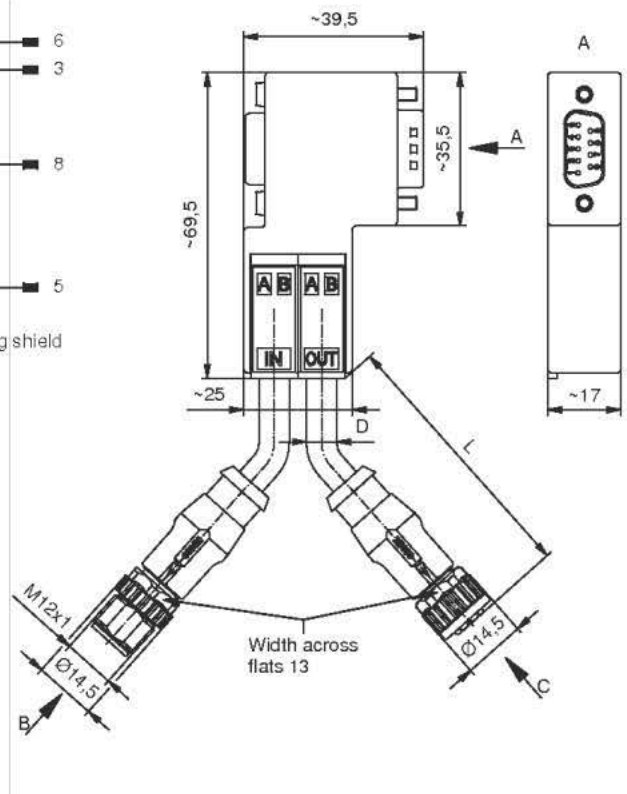
### Pin Configuration



### Contact Assignment



### Dimension



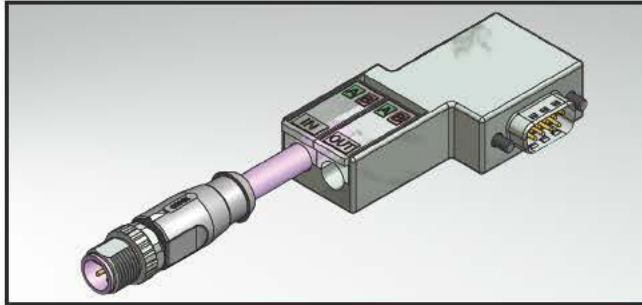
## ORDER DATA

Cable	Length/L	Description	9/4-pos Part-no.
PVC UL violet (RAL4001) O2YSY(ST)CY 2xAWG22	0,5m	SAL-DS-SKSW9.1-12B-RS4.1-RK4.1-0,5/G5	43-11756
	1m	SAL-DS-SKSW9.1-12B-RS4.1-RK4.1-1/G5	43-11757
	2m	SAL-DS-SKSW9.1-12B-RS4.1-RK4.1-2/G5	43-11758
TPU UL violet (RAL4001) O2YSH(ST)CH 2xAWG22	0,5m	SAL-DS-SKSW9.1-12B-RS4.1-RK4.1-0,5/G4	43-11753
	1m	SAL-DS-SKSW9.1-12B-RS4.1-RK4.1-1/G4	43-11754
	2m	SAL-DS-SKSW9.1-12B-RS4.1-RK4.1-2/G4	43-11755
TPE UL, highflexible violet (RAL4001) O2YS(ST)C11Y 2xAWG22	0,5m	SAL-DS-SKSW9.1-12B-RS4.1-RK4.1-0,5/G7	43-11759
	1m	SAL-DS-SKSW9.1-12B-RS4.1-RK4.1-1/G7	43-11760
	2m	SAL-DS-SKSW9.1-12B-RS4.1-RK4.1-2/G7	43-11761

For custom length or quality levels contact factory

# SAL CONNECTORS D-SUB WITH M12x1 – PROFIBUS DP

Connecting cable D-SUB Male connector angled, 9-pos, with programming interface – Male connector M12x1, axial, B-coding, 4-pos



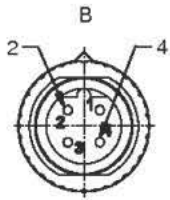
RoHS compliant

**TECHNICAL DATA**

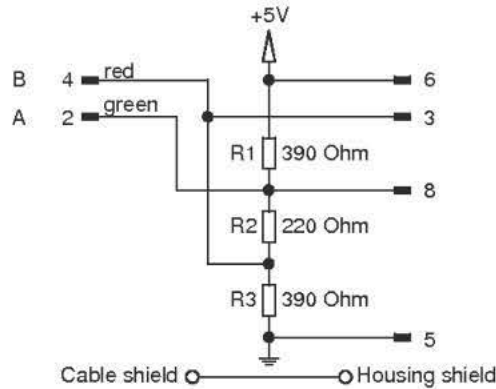
Rated voltage	9/4-pos 4,75 - 5,25 V DC
Degree of protection	IP40 at D-SUB / IP67 at M12x1
Temperature range	-25°C to +60°C
Mating cycles	≥ 100

**PRODUCT DRAWING**

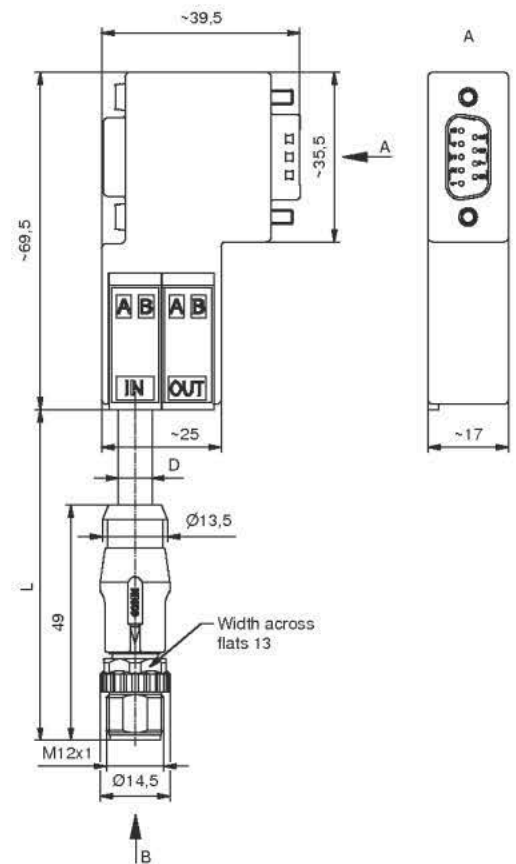
**Pin Configuration**



**Contact Assignment**



**Dimension**



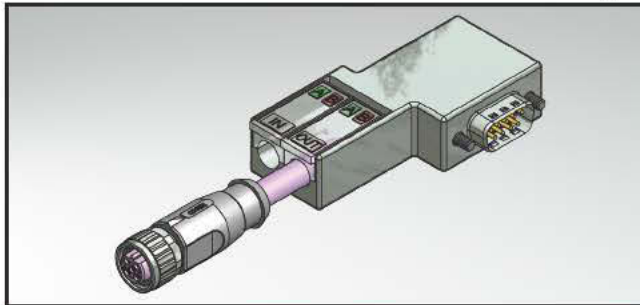
**ORDER DATA**

Cable	Length/L	Description	9/4-pos Part-no.
PVC UL violet (RAL4001) O2YSY(ST)CY 2xAWG22	2m	SAL-DS-SKSW9-12B-RS4.1-2/G5	43-11747
	3m	SAL-DS-SKSW9-12B-RS4.1-3/G5	43-11748
	5m	SAL-DS-SKSW9-12B-RS4.1-5/G5	43-11749
TPU UL violet (RAL4001) O2YSH(ST)CH 2xAWG22	2m	SAL-DS-SKSW9-12B-RS4.1-2/G4	43-11744
	3m	SAL-DS-SKSW9-12B-RS4.1-3/G4	43-11745
	5m	SAL-DS-SKSW9-12B-RS4.1-5/G4	43-11746
TPE UL, highflexible violet (RAL4001) O2YS(ST)C11Y 2xAWG24	2m	SAL-DS-SKSW9-12B-RS4.1-2/G7	43-11750
	3m	SAL-DS-SKSW9-12B-RS4.1-3/G7	43-11751
	5m	SAL-DS-SKSW9-12B-RS4.1-5/G7	43-11752

For custom length or quality levels contact factory

# SAL CONNECTORS D-SUB WITH M12x1 – PROFIBUS DP

Connecting cable D-SUB Male connector, angled, 9-pos, with programming interface – Female connector M12x1, axial, B-coding, 4-pos



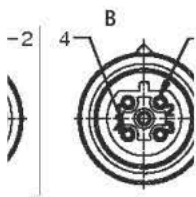
RoHS compliant

## TECHNICAL DATA

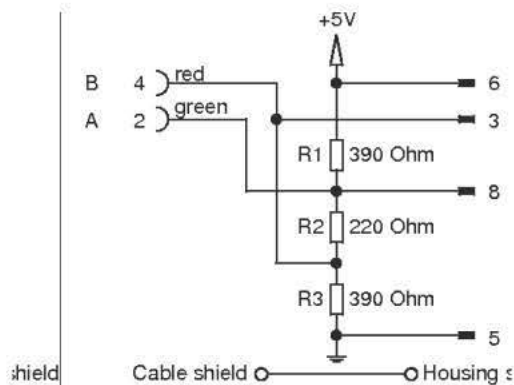
Rated voltage	9/4-pos 4,75 - 5,25 V DC
Degree of protection	IP40 at D-SUB / IP67 at M12x1
Temperature range	-25°C to +60°C
Mating cycles	≥ 100

## PRODUCT DRAWING

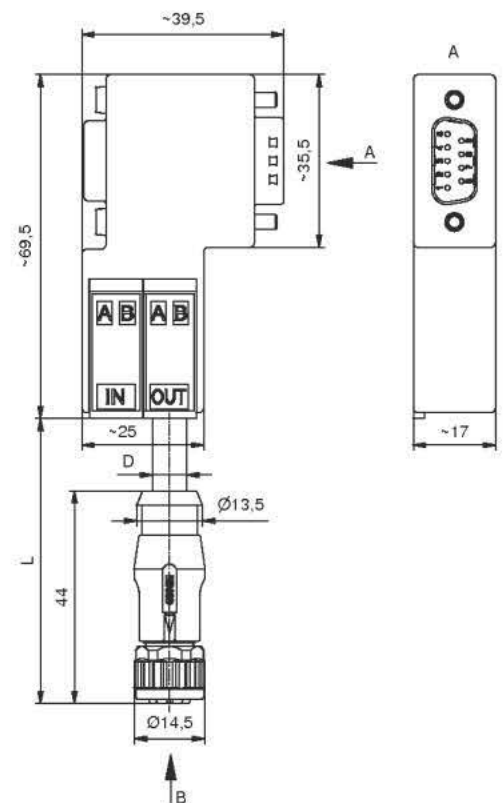
### Pin Configuration



### Contact Assignment



### Dimension



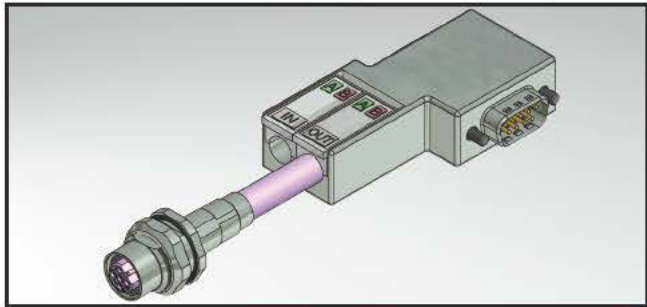
## ORDER DATA

Cable	Length/L	Description	9/4-pos Part-no.
PVC UL violet (RAL4001) O2YSY(ST)CY 2xAWG22	2m	SAL-DS-SKSW9-12B-RK4.1-2 / G5	43-11738
	3m	SAL-DS-SKSW9-12B-RK4.1-3 / G5	43-11739
	5m	SAL-DS-SKSW9-12B-RK4.1-5 / G5	43-11740
TPU UL violet (RAL4001) O2YSH(ST)CH 2xAWG22	2m	SAL-DS-SKSW9-12B-RK4.1-2 / G4	43-11735
	3m	SAL-DS-SKSW9-12B-RK4.1-3 / G4	43-11736
	5m	SAL-DS-SKSW9-12B-RK4.1-5 / G4	43-11737
TPE UL, highflexible violet (RAL4001) O2YS(ST)C11Y 2xAWG22	2m	SAL-DS-SKSW9-12B-RK4.1-2 / G7	43-11741
	3m	SAL-DS-SKSW9-12B-RK4.1-3 / G7	43-11742
	5m	SAL-DS-SKSW9-12B-RK4.1-5 / G7	43-11743

For custom length or quality levels contact factory

# SAL CONNECTORS D-SUB – M12x1 SOCKETS – PROFIBUS DP

Connecting Cable Male connector D-SUB, angled, with programming interface –  
Female socket M12x1, with cable, backmounting



RoHS compliant

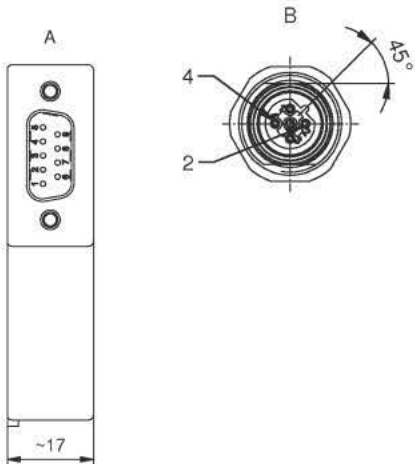
**TECHNICAL DATA**

Rated voltage	9/4-pos 160V
Current rating	4A at +40°C
Pollution degree	3 / 2
Insulation resistance	>= 100 MΩ
Degree of protection	IP67 in mated condition
Temperature range	-30°C to +60°C
Mating cycles	>= 100

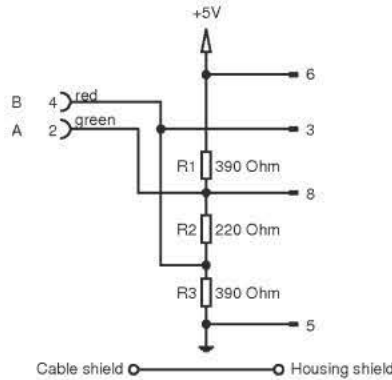
**PRODUCT DRAWING**

**Pin Configuration**

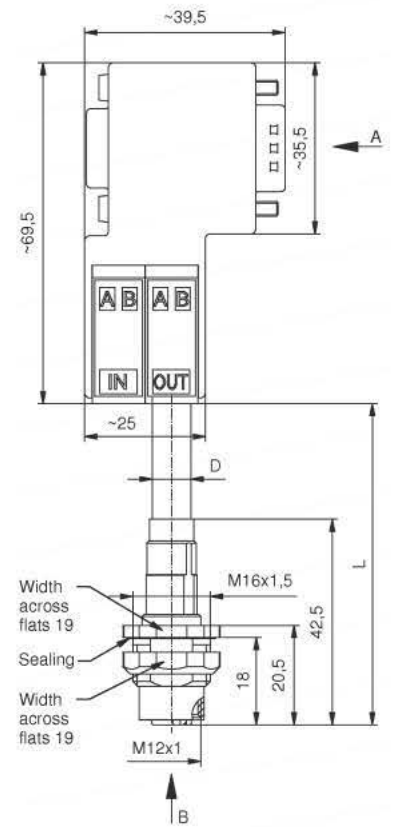
9/4-pos



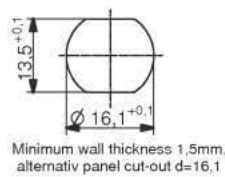
**Contact Assignment**



**Dimension**



**Cut-Out Front Panel**



**ORDER DATA**

Cable	Length/L	Description	9/4-pos Part-no.
TPU violet (RAL4001)	0,5m	SAL-DS-SKSW9-12B-FKH4.1-0,5/G4	43-01675
02YSH(ST)CH 2xAWG22	1m	SAL-DS-SKSW9-12B-FKH4.1-1/G4	43-01676
	2m	SAL-DS-SKSW9-12B-FKH4.1-2/G4	43-01677

SECTION 7  
**JUNCTION SYSTEMS**





# SAL M12x1 / M8x1 Y-SPLITTER

## Nomenclature

**S A L - 1 2 - R S 4 - 8 - 2 R K 3**

**SAL**  
Sensor Actor Line

**CONNECTION**

**Installation size**  
12 = M12x1

**Coding**  
= A-coding

**Building**  
R = Circular connector

**Configuration**  
S = Male connector  
K = Female connector

**Number of poles**  
4 = 4-pos  
5 = 5-pos

**ALLOCATION**

**Installation size**  
8 = M8x1

**Coding**  
= A-coding

**Quantity**  
2 = 2 I/O-ports

**Building**  
R = Circular connector

**Configuration**  
K = Female connector  
S = Male connector

**Number of poles**  
3 = 3-pos  
5 = 5-pos

# SAL M12x1 / M8x1 Y-SPLITTER

## Product specification

Basic material	
Contact	CuZn
Contact plating	Nickel plated, gold-plated
Contact carrier	TPU GF, UL 94 / PA, UL
Moulding body	TPU, UL 94, grey
Sealing	FPM
Coupling nut/-screw	GD-Zn, Ni

## Technical Data

Information on the following pages are basing on below mentioned IEC-standards.

	M8	M12
Rated voltage	IEC 61076-2-104	IEC 61076-2-101
Current rating	IEC 61076-2-104	IEC 61076-2-101
Insulation resistance	IEC 60512	IEC 60512
Pollution degree	IEC 60664-1	IEC 60664-1
Degree of protection	IEC 60529	IEC 60529
Temperature range	IEC 60664-1	IEC 60664-1
Mating cycles	IEC 60512-9a	IEC 60512-9a

Recommended torque M8: 0,4 Nm at SW 9

Recommended torque M12: 0,6 Nm at SW 13

Technical subject to change without notice.

# SAL M12x1 / DUO-SPLITTER

## Nomenclature

**S A L - 1 2 - D S 4 - 8 - 2 R K 3 - 03 / 03 / K1**

**SAL**  
Sensor Actor Line

**CONNECTION**

**Installation size**  
12 = M12x1

**Coding**  
= A-coding

**Building**  
D = DUO-Splitter

**Configuration**  
S = Male connector  
K = Female connector

**Number of poles**  
4 = 4-pos  
5 = 5-pos

**ALLOCATION**

**Installation size**  
= M12x1  
8 = M8x1

**Coding**  
= A-coding

**Quantity**  
2 = 2 I/O-ports

**Building**  
R = Circular connector  
D = DUO-Splitter

**Configuration**  
K = Female connector  
S = Male connector

**Building**  
= Axial  
W = Angled

**Number of poles**  
3 = 3-pos  
4 = 4-pos  
5 = 5-pos

**Cable length**  
XX/XX = Length [m]

**Cable quality**  
K1 = TPU, black, high flexible, halogenfree, UL

# SAL M12x1 / DUO-SPLITTER

## Productspecification

Basic material	
Contact	CuSn
Contact plating	Nickel-plated, gold-plated
Contact carrier	TPU
Moulding body	TPU
Sealing	FPM
Coupling nut/-screw	Cu-Zn, nickel-plated

## Technical Data

Information on the following pages are basing on below mentioned IEC-standards.

	M8	M12
Rated voltage	IEC 61076-2-104	IEC 61076-2-101
Current rating	IEC 61076-2-104	IEC 61076-2-101
Insulation resistance	IEC 60512	IEC 60512
Pollution degree	IEC 60664-1	IEC 60664-1
Degree of protection	IEC 60529	IEC 60529
Temperature range	IEC 60664-1	IEC 60664-1
Mating cycles	IEC 60512-9a	IEC 60512-9a

Recommended torque M8: 0,4 Nm at SW 9

Recommended torque M12: 0,6 Nm at SW 13

Technical subject to change without notice.

# SAL M12x1 / DUO-SPLITTER WITH VALVEPLUG

## Nomenclature

S A L - 1 2 - D S 5 - A

**SAL**  
Sensor Actor Line

### CONNECTION

**Installation size**  
12 = M12x1

**Coding**  
= A-coding

**Building**  
D = DUO-Splitter

**Configuration**  
K = Female connector  
S = Male connector

**Number of poles**  
4 = 4-pos  
5 = 5-pos

### ALLOCATION

**Type**  
A = Type A  
C8 = Type C 8 mm  
C9 = Type C 9 mm

Specifications of Valveplugs look at section 8

# SAL M12x1 / DUO-SPLITTER WITH VALVEPLUG

## Productspecification

Basic material	
Contact	CuSn
Contact plating	Nickel-plated, gold-plated
Contact carrier	TPU GF, UL / PA, UL
Moulding body	TPU, UL 94, grey
Coupling nut/-screw	GD-Zn, nickel-plated

Technical Data	
Information on the following pages are basing on below mentioned IEC-standards.	
	M12
Rated voltage	IEC 61076-2-101
Current rating	IEC 61076-2-101
Insulation resistance	IEC 60512
Pollution degree	IEC 60664-1
Degree of protection	IEC 60529
Temperature range	IEC 60664-1
Mating cycles	IEC 60512-9a

Recommended torque: 0,6 Nm

Technical subject to change without notice.

Specifications of Valveplugs look at section 8

# SAL M12x1 / T-SPLITTER / ADAPTER

## Nomenclature

**S A L - 1 2 - T S 4 - T K 4 - - R K 4 - 03 / A1**

**SAL**  
Sensor Actor Line

**CONNECTION**

**Installation size**  
12 = M12x1  
7/8 = 7/8"

**Coding**  
= A-coding

**Building**  
T = T-Junction

**Configuration**  
S = Male connector  
K = Female connector

**Number of poles**  
4 = 4-pos                    5 = 5-pos  
4PE = 4-pos+ground      8 = 8-pos

**ALLOCATION**

**Building**  
T = Circular connector

**Configuration**  
K = Female connector  
S = Male connector

**Number of poles**  
4 = 4-pos                    5 = 5-pos  
4PE = 4-pos+ground      8 = 8-pos

**Installation size**  
8 = M8x1  
= M12x1

**Building**  
R = Circular connector  
T = T-Junction

**Configuration**  
K = Female connector  
S = Male connector

**Number of poles**  
4 = 4-pos                    5 = 5-pos  
4PE = 4-pos+ground      8 = 8-pos

**Cable length**  
XX = Length [m]

**Cable quality**  
A1 = PVC, grey  
K1 = TPU, black, high flexible, halogenfree, UL

# SAL M12x1/T-SPLITTER/ADAPTER

## Productspecification

Basic material	
Contact	CuZn
Contact plating	Nickel-plated, gold-plated
Contact carrier	TPU GF, UL / PA, UL
Moulding body	TPU, UL 94, grey
Sealing	FPM
Coupling nut/-screw	GD-Zn, nickel-plated

Technical Data	
Information on the following pages are basing on below mentioned IEC-standards.	
Rated voltage	IEC 61076-2-101
Current rating	IEC 61076-2-101
Insulation resistance	IEC 60512
Pollution degree	IEC 60664-1
Degree of protection	IEC 60529
Temperature range	IEC 60664-1
Mating cycles	IEC 60512-9a

Recommended torque M8: 0,4 Nm at SW 9

Recommended torque M12: 0,6 Nm at SW 13

Technical subject to change without notice.

# SAL M12x1 / M8x1 JUNCTION BOX

## Nomenclature

**S A L - 1 2 - 4 F K 5 - 5 L - 5 / K 3**

**SAL**  
Sensor Actor Line

### CONNECTION

#### Installation size

8 = M8x1  
12 = M12x1

#### Coding

= A-coding

#### Quantity I/O-ports

4 = 4-fold Junction box  
8 = 8-fold Junction box

#### Building

F = Socket

#### Configuration

K = Female connector  
S = Male connector

### ALLOCATION

#### Number of poles

5 = I/O-port 4-pos+ground (M12x1)  
3 = I/O-port 3-pos (M8x1)  
4 = I/O-port 4-pos (M8x1)

#### LED-display

5L = 5 LED-display  
9L = 9 LED-display  
17L = 17 LED-display

#### Cable length

5 = 5m Cable length  
10 = 10m Cable length

#### Cable quality/Connection

= M23x1 connector (M12x1-Junction box)  
= M16x0,75 connector (M8x1-Junction box, 8-fold)  
= M12x1 connector (M8x1-Junction box, 4-fold)

K3 = TPU, black, UL

# SAL M12x1/M8x1 JUNCTION BOX

## Product specification

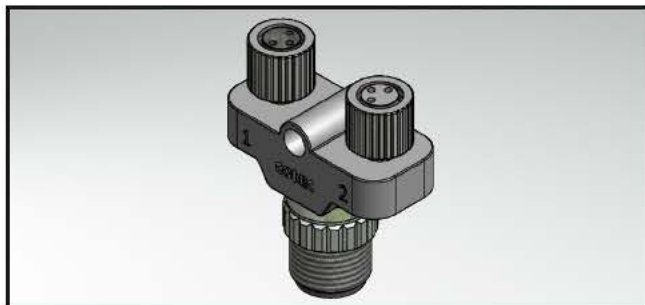
Basic material	
Contact	M12x1: CuSn6/M8x1: CuZn
Contact plating	Nickel-plated, gold-plated
Contact carrier	PBT, UL 94
Housing	PBT, UL 94
Sealing	FPM
Grouting	Cu-Zn, nickel-plated

Technical Data		
Information on the following pages are basing on below mentioned IEC-standards.		
	M8	M12
Rated voltage	IEC 61076-2-104	IEC 61076-2-101
Current rating	IEC 61076-2-104	IEC 61076-2-101
Insulation resistance	IEC 60512	IEC 60512
Pollution degree	IEC 60664-1	IEC 60664-1
Degree of protection	IEC 60529	IEC 60529
Temperature range	IEC 60664-1	IEC 60664-1
Mating cycles	IEC 60512-9a	IEC 60512-9a

Technical subject to change without notice.

# SAL Y-SPLITTER

Male connector M12x1 – 2x Female connector M8x1



RoHS compliant

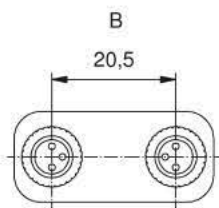
## TECHNICAL DATA

Rated voltage	4/3-pos 60V
Current rating	3A at +40°C
Pollution degree	3 / 2
Insulation resistance	>= 100 MΩ
Degree of protection	IP67 in mated condition
Temperature range	-25°C to +85°C
Mating cycles	>= 100

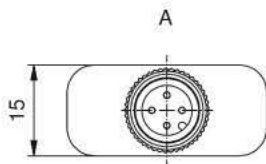
## PRODUCT DRAWING

### Pin Configuration

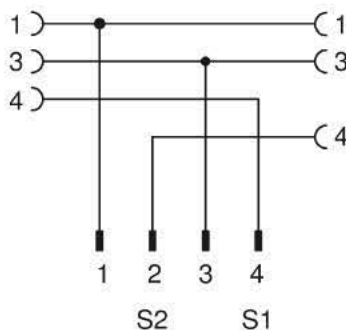
3-pos female



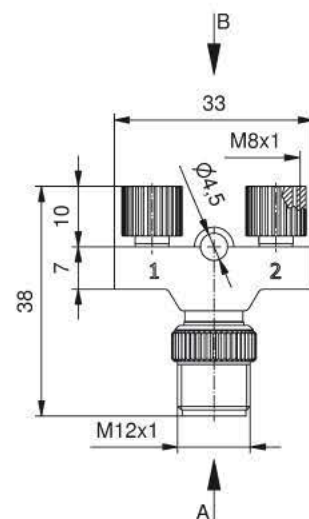
4-pos male



### Contact Assignment



### Dimension

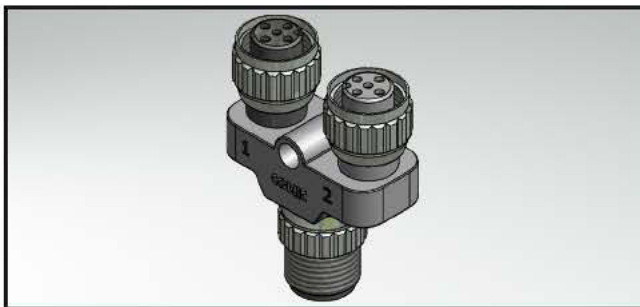


## ORDER DATA

Description	4/3-pos Part-no.
SAL-12-RS4-8-2RK3	43-05100

# SAL Y-SPLITTER

Male connector M12x1 – 2x Female connector M12x1



RoHS compliant

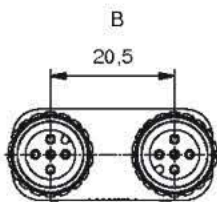
## TECHNICAL DATA

Rated voltage	5-pos 60V
Current rating	4A at +40°C
Pollution degree	3 / 2
Insulation resistance	>= 100 MΩ
Degree of protection	IP67 in mated condition
Temperature range	-25°C to +85°C
Mating cycles	>= 100

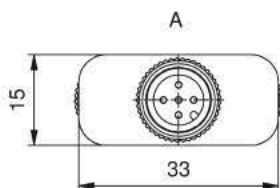
## PRODUCT DRAWING

### Pin Configuration

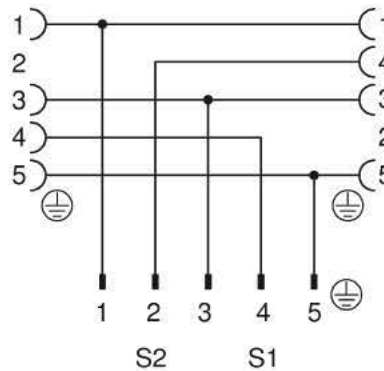
5-pos female



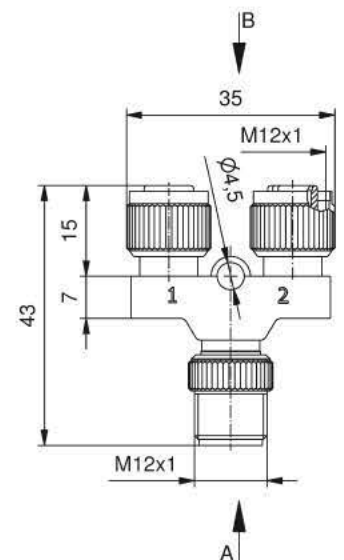
5-pos male



### Contact Assignment



### Dimension

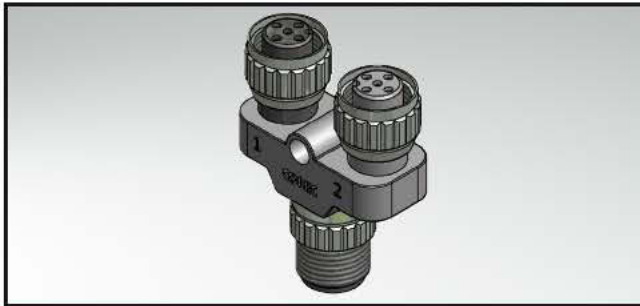


## ORDER DATA

Description	5-pos Part-no.
SAL-12-RS5-2RK5.2	43-05101

# SAL Y-SPLITTER

Male connector M12x1 – 2x Female connector M12x1



RoHS compliant

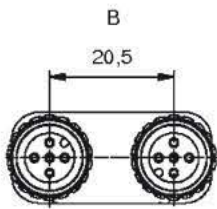
## TECHNICAL DATA

Rated voltage	5-pos 60V
Current rating	4A at +40°C
Pollution degree	3 / 2
Insulation resistance	>= 100 MΩ
Degree of protection	IP67 in mated condition
Temperature range	-25°C to +85°C
Mating cycles	>= 100

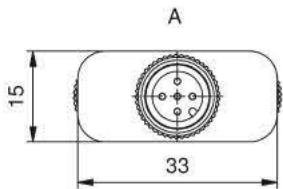
## PRODUCT DRAWING

### Pin Configuration

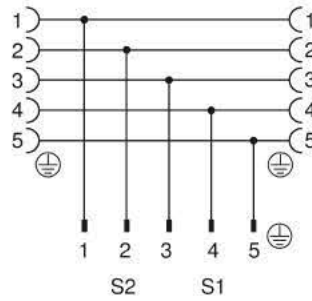
5-pos female



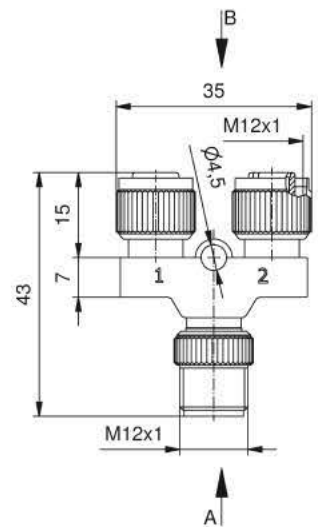
5-pos male



### Contact Assignment



### Dimension

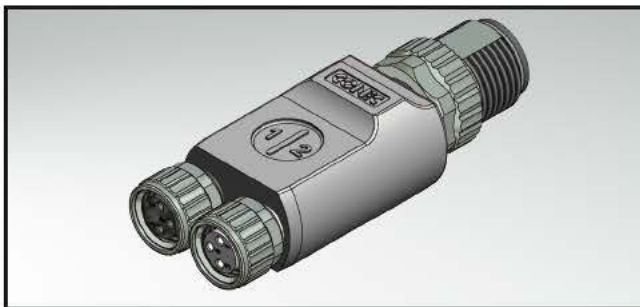


## ORDER DATA

Description	5-pos Part-no.
SAL-12-RS5-2RK5	43-05103

# SAL DUO-JUNCTION

Male connector M12x1 – 2x Female connector M8x1, axial



RoHS compliant

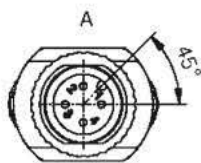
## TECHNICAL DATA

Rated voltage	4/3-pos 60V
Current rating	3A at +40°C
Pollution degree	3 / 2
Insulation resistance	>= 100 MΩ
Degree of protection	IP67 in mated condition
Temperature range	-30°C to +80°C
Mating cycles	>= 100

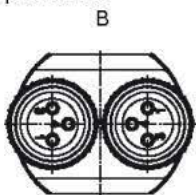
## PRODUCT DRAWING

### Pin Configuration

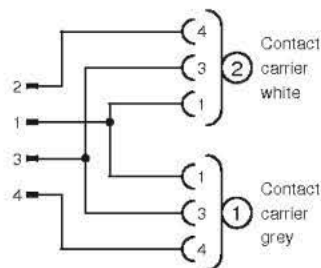
4-pos male



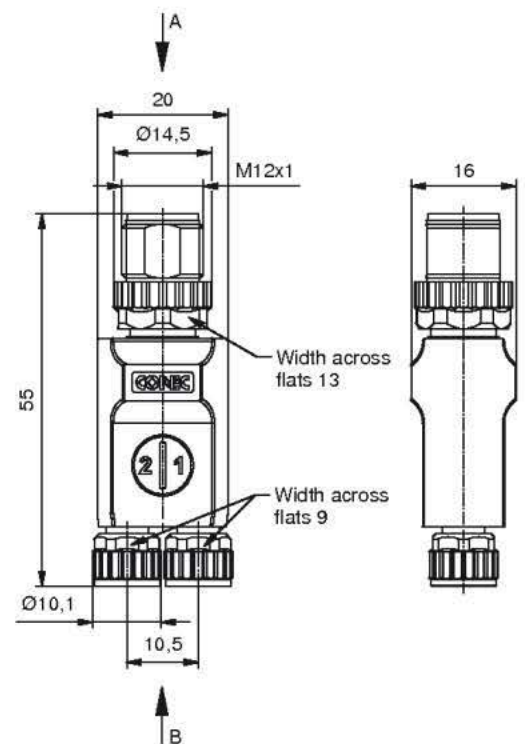
3-pos female



### Contact Assignment



### Dimension

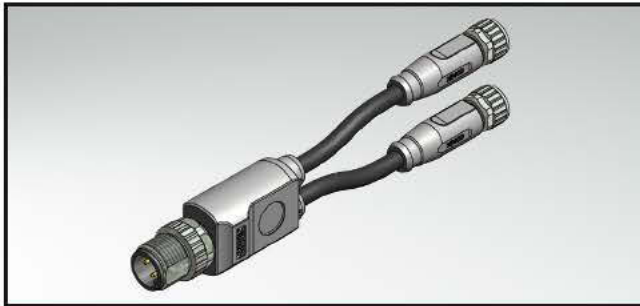


## ORDER DATA

Description	4/3-pos Part-no.
SAL-12-DS4-8-2DK3	43-05117

# SAL DUO-JUNCTION

Male connector M12x1, axial – 2x Female connector M8x1, axial



RoHS compliant

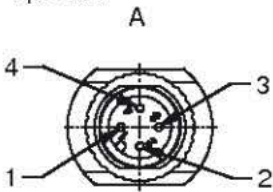
### TECHNICAL DATA

Rated voltage	4/3-pos 60V
Current rating	3A at +40°C
Pollution degree	3 / 2
Insulation resistance	>= 100 MΩ
Degree of protection	IP67 in mated condition
Temperature range	-30°C to +80°C
Mating cycles	>= 100

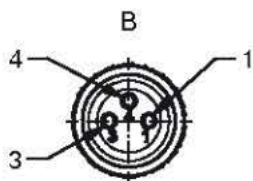
### PRODUCT DRAWING

#### Pin Configuration

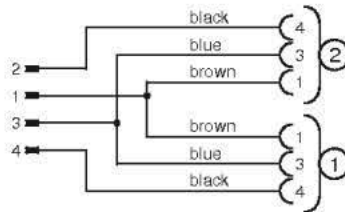
4-pos male



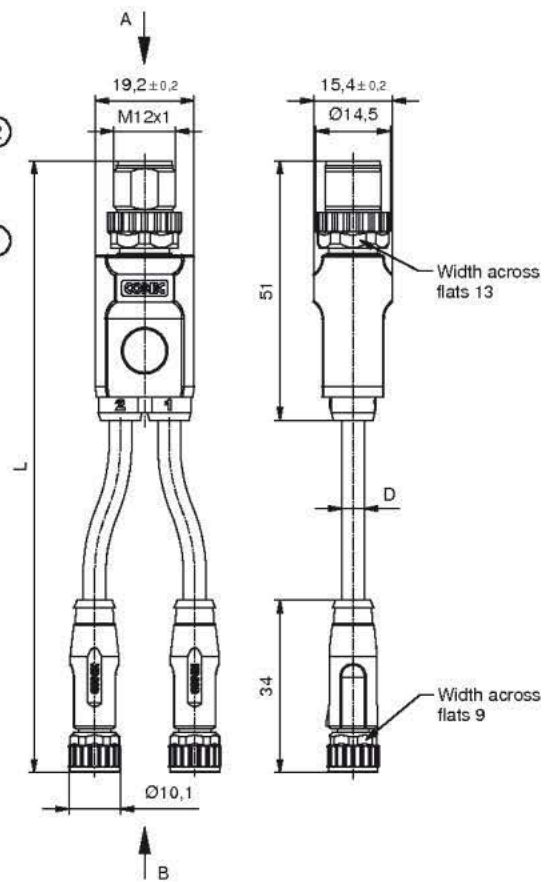
3-pos female



#### Contact Assignment



#### Dimension



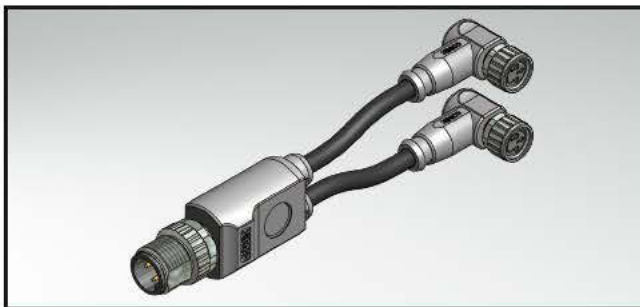
### ORDER DATA

Cable	Length/L	Description	4/3-pos Part-no.
	0,3m	SAL-12-DS4-8-2RK3-0,3/0,3/K1	43-12463
TPE UL, halogenfree black	0,6m	SAL-12-DS4-8-2RK3-0,6/0,6/K1	43-12464
Li9Y11Y 0,25 mm <sup>2</sup>	1,5m	SAL-12-DS4-8-2RK3-1,5/1,5/K1	43-12465
	3m	SAL-12-DS4-8-2RK3-3/3/K1	43-12466

For custom length or quality levels contact factory

# SAL DUO-JUNCTION

Male connector M12x1, axial – 2x Female connector M8x1, angled



RoHS compliant

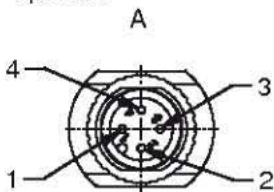
### TECHNICAL DATA

Rated voltage	4/3-pos 60V
Current rating	3A at +40°C
Pollution degree	3 / 2
Insulation resistance	>= 100 MΩ
Degree of protection	IP67 in mated condition
Temperature range	-30°C to +80°C
Mating cycles	>= 100

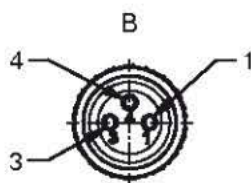
### PRODUCT DRAWING

#### Pin Configuration

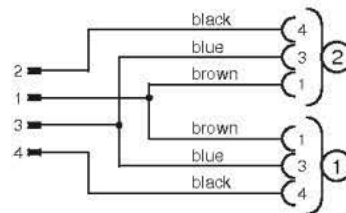
4-pos male



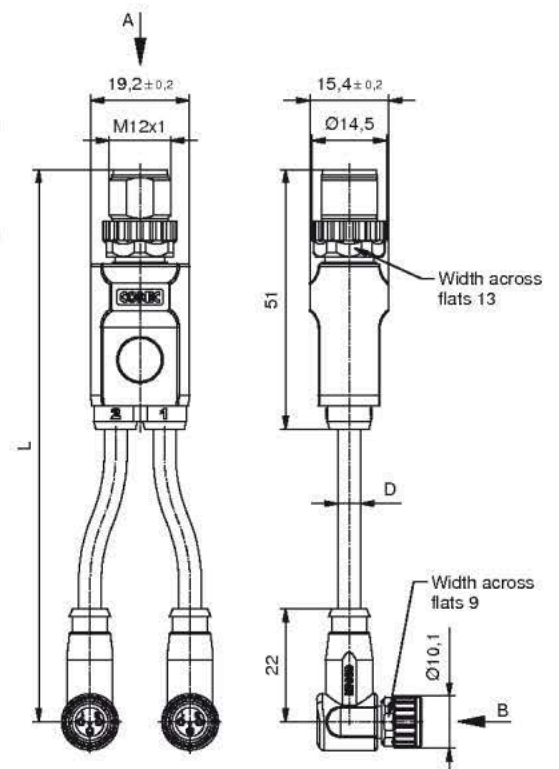
3-pos female



#### Contact Assignment



#### Dimension



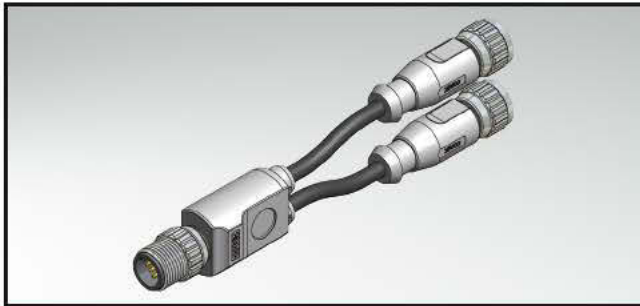
### ORDER DATA

Cable	Length/L	Description	4/3-pos Part-no.
	0,3m	SAL-12-DS4-8-2RKW3-0,3/0,3/K1	43-12467
TPE UL, halogenfree black	0,6m	SAL-12-DS4-8-2RKW3-0,6/0,6/K1	43-12468
Li9Y11Y 0,25 mm²	1,5m	SAL-12-DS4-8-2RKW3-1,5/1,5/K1	43-12469
	3m	SAL-12-DS4-8-2RKW3-3/3/K1	43-12470

For custom length or quality levels contact factory

# SAL DUO-JUNCTION

Male connector M12x1 – 2x Female connector M12x1, axial



RoHS compliant

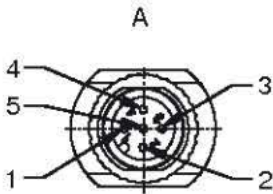
## TECHNICAL DATA

Rated voltage	5-pos 60V
Current rating	4A at +40°C
Pollution degree	3 / 2
Insulation resistance	>= 100 MΩ
Degree of protection	IP67 in mated condition
Temperature range	-30°C to +80°C
Mating cycles	>= 100

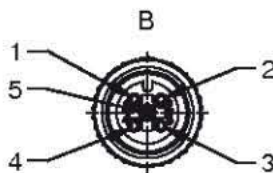
## PRODUCT DRAWING

### Pin Configuration

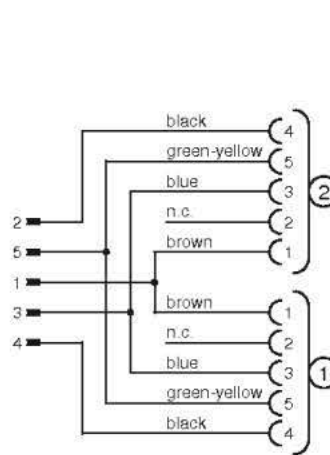
5-pos male



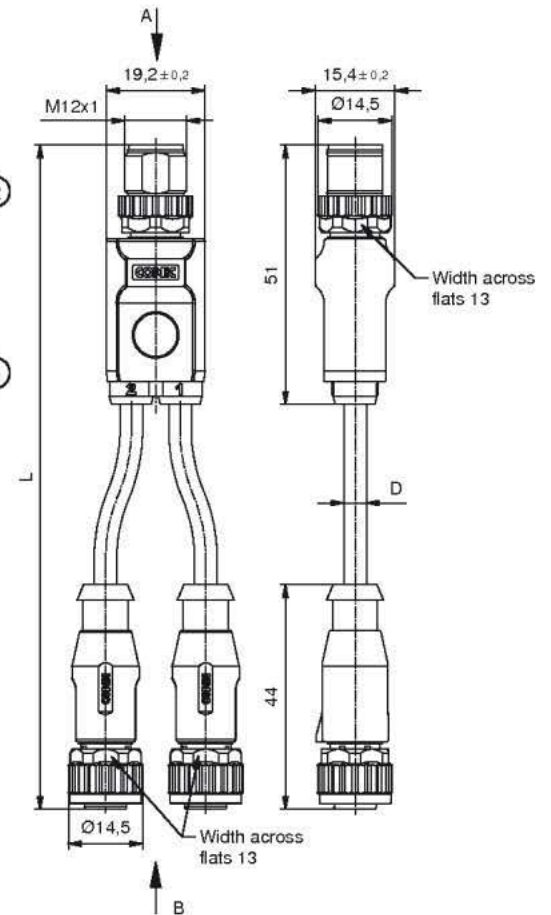
5-pos female



### Contact Assignment



### Dimension



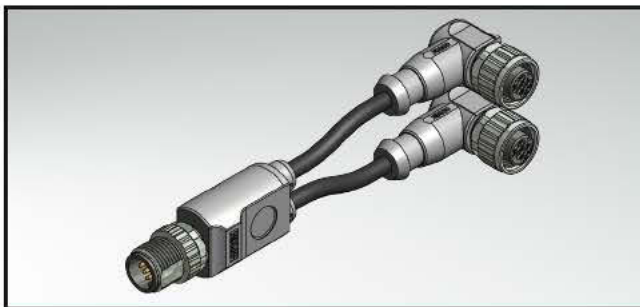
## ORDER DATA

Cable	Length/L	Description	5-pos Part-no.
	0,3m	SAL-12-DS5-2RK5.2-0,3/0,3/K1	43-12603
TPE UL, halogenfree black	0,6m	SAL-12-DS5-2RK5.2-0,6/0,6/K1	43-12604
Li9Y11Y 0,34 mm²	1,5m	SAL-12-DS5-2RK5.2-1,5/1,5/K1	43-12605
	3m	SAL-12-DS5-2RK5.2-3/3/K1	43-12606

For custom length or quality levels contact factory

# SAL DUO-JUNCTION

Male connector M12x1, axial – 2x Female connector M12x1, angled



RoHS compliant

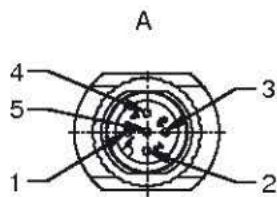
## TECHNICAL DATA

Rated voltage	5-pos 60V
Current rating	4A at +40°C
Pollution degree	3 / 2
Insulation resistance	>= 100 MΩ
Degree of protection	IP67 in mated condition
Temperature range	-30°C to +80°C
Mating cycles	>= 100

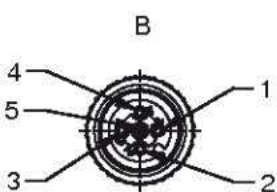
## PRODUCT DRAWING

### Pin Configuration

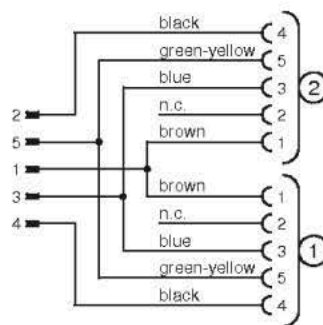
5-pos male



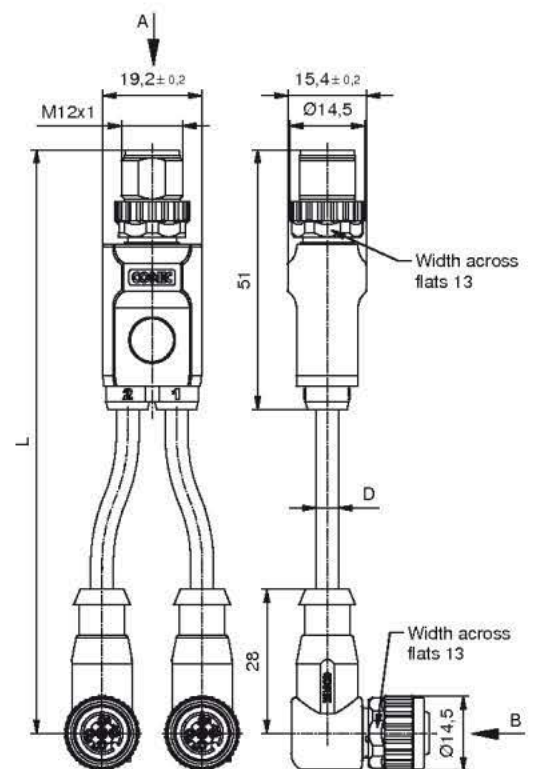
5-pos female



### Contact Assignment



### Dimension



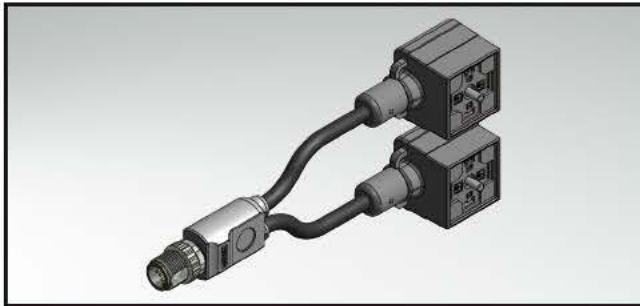
## ORDER DATA

Cable	Length/L	Description	5-pos Part-no.
	0,3m	SAL-12-DS5-2RKW5.2-0,3/0,3/K1	43-12607
TPE UL, halogenfree black	0,6m	SAL-12-DS5-2RKW5.2-0,6/0,6/K1	43-12608
Li9Y11Y 0,34 mm <sup>2</sup>	1,5m	SAL-12-DS5-2RKW5.2-1,5/1,5/K1	43-12609
	3m	SAL-12-DS5-2RKW5.2-3/3/K1	43-12610

For custom length or quality levels contact factory

# SAL DUO-JUNCTION

Male connector M12x1, axial – 2x Valveplug configuration A, 2-pos+ground, ground jumpered



RoHS compliant

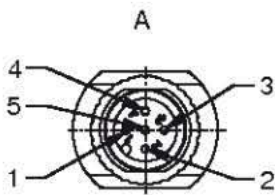
## TECHNICAL DATA

Rated voltage	5-pos/2-pos+ground, ground jumpered 60V
Current rating	4A at +40°C
Pollution degree	3 / 2
Insulation resistance	>= 100 MΩ
Degree of protection	IP67 in mated condition
Temperature range	-25°C to +80°C
Mating cycles	>= 100

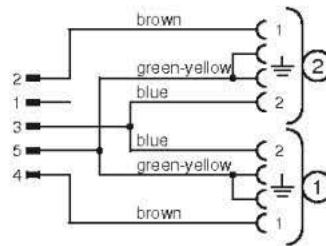
## PRODUCT DRAWING

### Pin Configuration

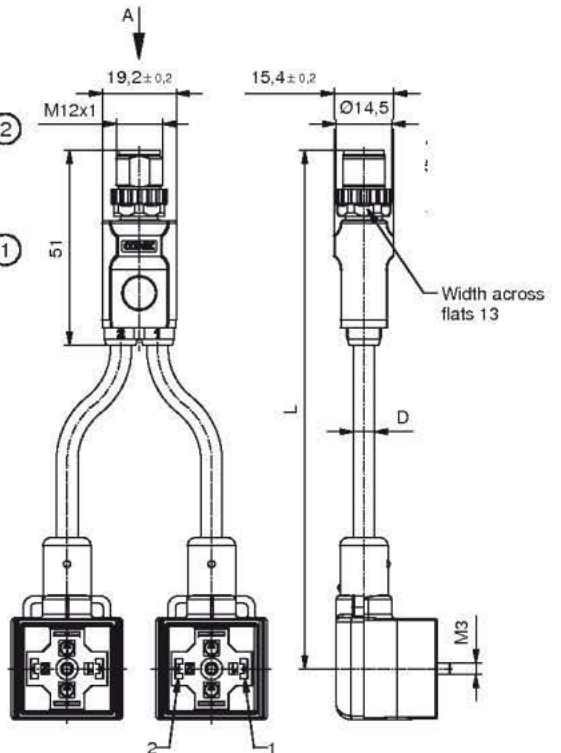
5-pos/2-pos+ground



### Contact Assignment



### Dimension



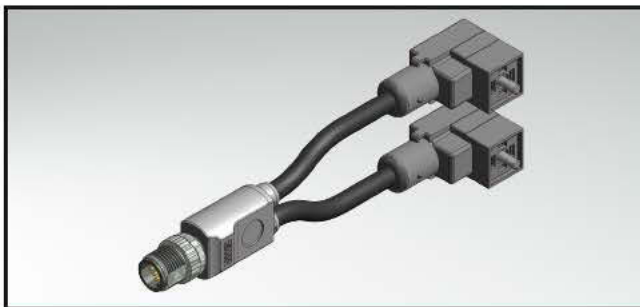
## ORDER DATA

Cable	Length/L	Description	5-pos/2-pos+ground, ground jumpered Part-no.
	0,3m	SAL-12-DS5.55-A-V2PEG-0-124-0,3/0,3/K1/075	43-12542
TPE UL, halogenfree black	0,6m	SAL-12-DS5.55-A-V2PEG-0-124-0,6/0,6/K1/075	43-12543
Li9Y11Y 0,75 mm <sup>2</sup>	1,5m	SAL-12-DS5.55-A-V2PEG-0-124-1,5/1,5/K1/075	43-12544
	3m	SAL-12-DS5.55-A-V2PEG-0-124-3/3/K1/075	43-12545

For custom length or quality levels contact factory

# SAL DUO-JUNCTION

Male connector M12x1, axial – 2x Valveplug configuration C8, 2-pos+ground, ground jumpered



RoHS compliant

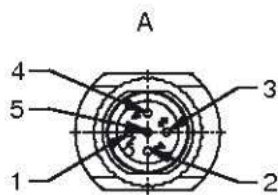
### TECHNICAL DATA

Rated voltage	5-pos/2-pos+ground, ground jumpered 60V
Current rating	4A at +40°C
Pollution degree	3 / 2
Insulation resistance	>= 100 MΩ
Degree of protection	IP67 in mated condition
Temperature range	-25°C to +80°C
Mating cycles	>= 100

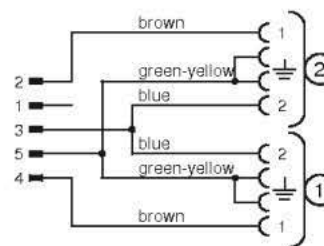
### PRODUCT DRAWING

#### Pin Configuration

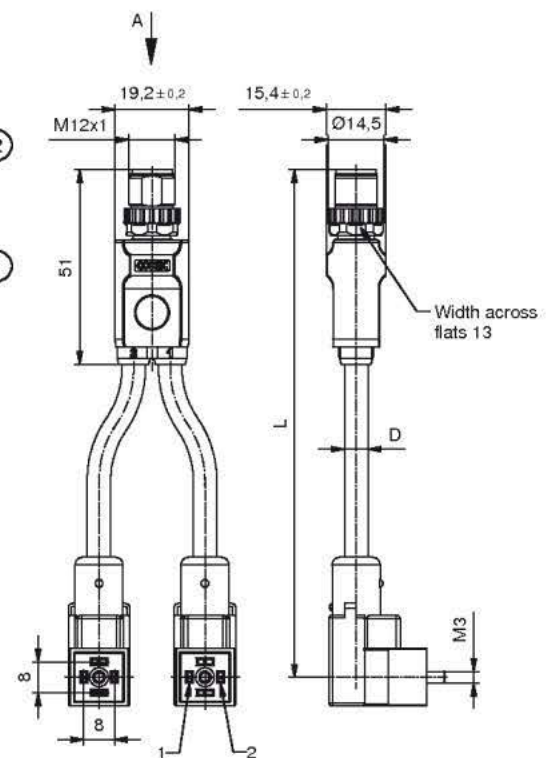
5-pos/2-pos+ground



#### Contact Assignment



#### Dimension



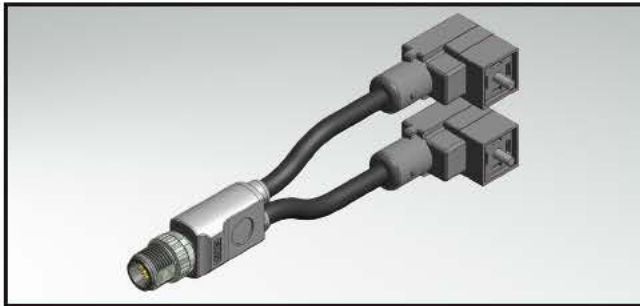
### ORDER DATA

Cable	Length/L	Description	5-pos/2-pos+ground, ground jumpered Part-no.
	0,3m	SAL-12-DS5.55-C8-V2PEG-0-124-0,3/0,3/K1/075	43-12623
TPE UL, halogenfree black	0,6m	SAL-12-DS5.55-C8-V2PEG-0-124-0,6/0,6/K1/075	43-12624
Li9Y11Y 0,75 mm²	1,5m	SAL-12-DS5.55-C8-V2PEG-0-124-1,5/1,5/K1/075	43-12625
	3m	SAL-12-DS5.55-C8-V2PEG-0-124-3/3/K1/075	43-12626

For custom length or quality levels contact factory

# SAL DUO-JUNCTION

Male connector M12x1, axial – 2x Valveplug configuration C9, 2-pos+ground, ground jumpered



RoHS compliant

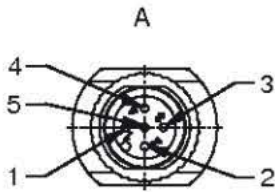
## TECHNICAL DATA

Rated voltage	5-pos/2-pos+ground, ground jumpered 60V
Current rating	4A at +40°C
Pollution degree	3 / 2
Insulation resistance	>= 100 MΩ
Degree of protection	IP67 in mated condition
Temperature range	-25°C to +80°C
Mating cycles	>= 100

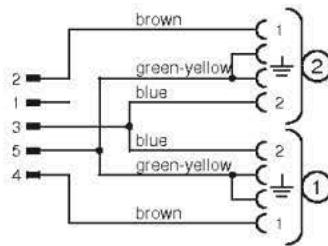
## PRODUCT DRAWING

### Pin Configuration

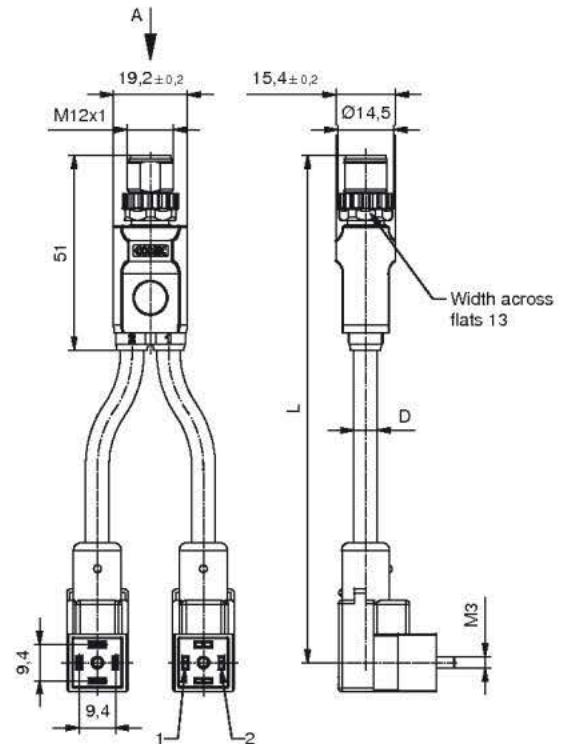
5-pos/2-pos+ground



### Contact Assignment



### Dimension



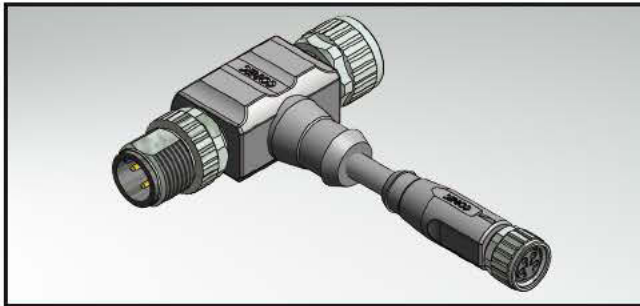
## ORDER DATA

Cable	Length/L	Description	5-pos/2-pos+ground, ground jumpered Part-no.
	0,3m	SAL-12-DS5.55-C9-V2PEG-0-124-0,3/0,3/K1/075	43-12627
TPE UL, halogenfree black	0,6m	SAL-12-DS5.55-C9-V2PEG-0-124-0,6/0,6/K1/075	43-12628
Li9Y11Y 0,75 mm <sup>2</sup>	1,5m	SAL-12-DS5.55-C9-V2PEG-0-124-1,5/1,5/K1/075	43-12629
	3m	SAL-12-DS5.55-C9-V2PEG-0-124-3/3/K1/075	43-12630

For custom length or quality levels contact factory

# SAL T-JUNCTION

Male/Female connector M12x1, axial – Female connector M8x1, axial



RoHS compliant

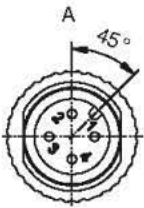
### TECHNICAL DATA

Rated voltage	4-pos 30V
Current rating	3A at +40°C
Pollution degree	3 / 2
Insulation resistance	>= 100 MΩ
Degree of protection	IP67 in mated condition
Temperature range	-30°C to +80°C
Mating cycles	>= 100

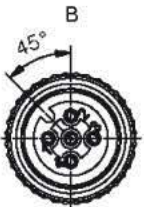
### PRODUCT DRAWING

#### Pin Configuration

4-pos male



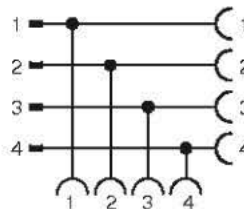
4-pos female



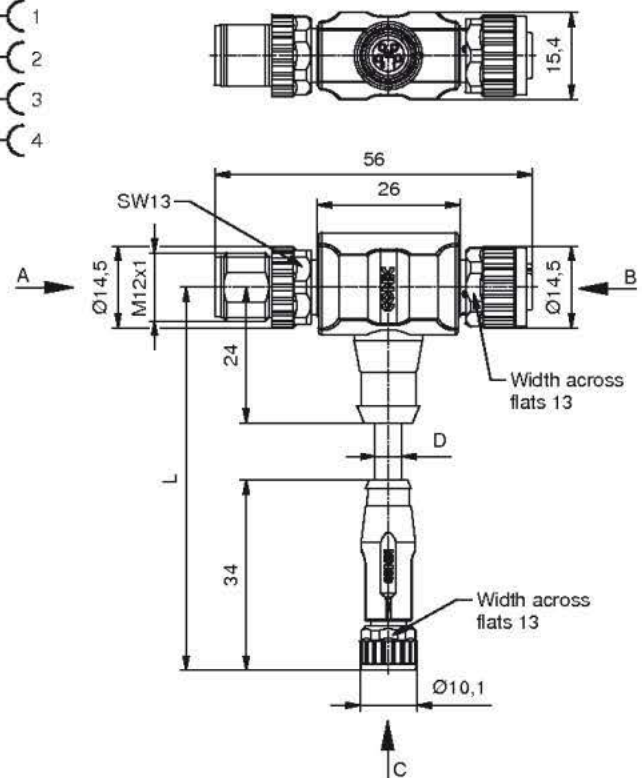
4-pos female



#### Contact Assignment



#### Dimension



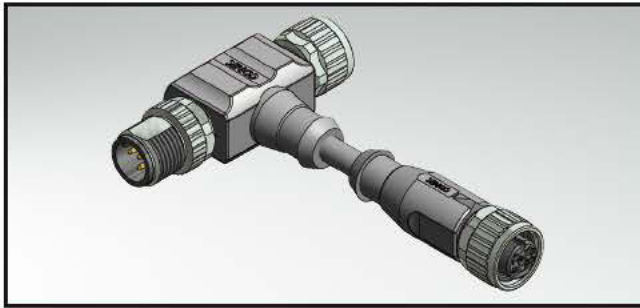
### ORDER DATA

Cable	Length/L	Description	4-pos Part-no.
PVC grey LiYY 0,25 mm <sup>2</sup>	0,3m	SAL-12-TS4-TK4-8-RK4-0,3/A1	43-05122
	0,6m	SAL-12-TS4-TK4-8-RK4-0,6/A1	43-05123
TPU UL, halogenfree black	0,3m	SAL-12-TS4-TK4-8-RK4-0,3/K1	43-05124
Li9Y11Y 0,25 mm <sup>2</sup>	0,6m	SAL-12-TS4-TK4-8-RK4-0,6/K1	43-05125

For custom length or quality levels contact factory

# SAL T-JUNCTION

Male/Female connector M12x1, axial – Female connector M12x1, axial



RoHS compliant

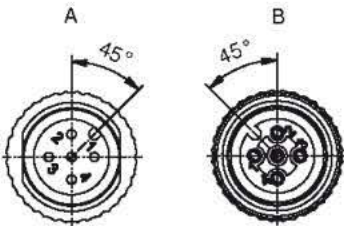
### TECHNICAL DATA

Rated voltage	5-pos	8-pos
	60V	30V
Current rating	4A at +40°C (5-pos)	
	2A at +40°C (8-pos)	
Pollution degree	3 / 2	
Insulation resistance	≥ 100 MΩ	
Degree of protection	IP67 in mated condition	
Temperature range	-30°C to +80°C	
Mating cycles	≥ 100	

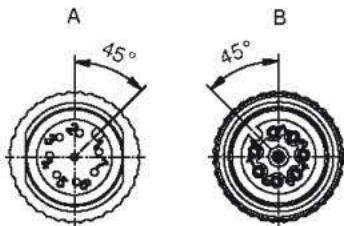
### PRODUCT DRAWING

#### Pin Configuration

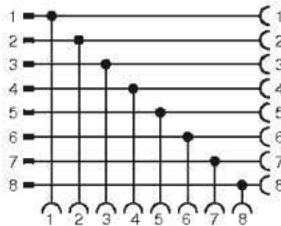
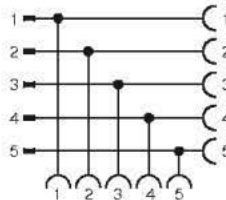
5-pos



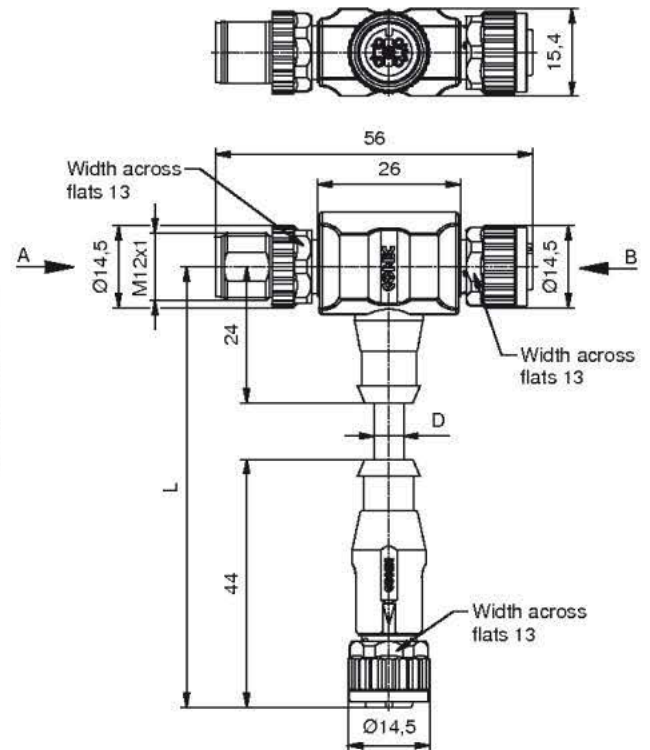
8-pos



#### Contact Assignment



#### Dimension



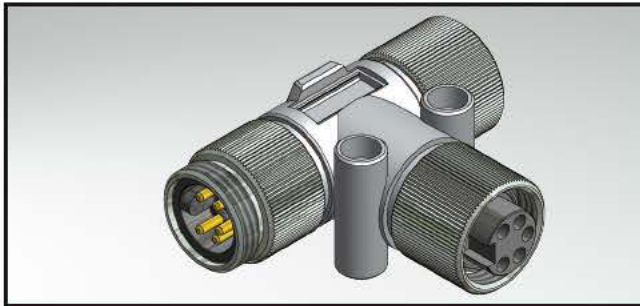
### ORDER DATA

Cable	Length/L	Description	5-pos Part-no.	Description	8-pos Part-no.
PVC grey LiYY 0,25 mm <sup>2</sup>	0,3m			SAL-12-TS8-TK8-RK8-0,3/A1	43-05126
	0,6m			SAL-12-TS8-TK8-RK8-0,6/A1	43-05127
TPU UL, halogenfree black Li9Y11Y 0,25 mm <sup>2</sup>	0,3m			SAL-12-TS8-TK8-RK8-0,3/K1	43-05128
	0,6m			SAL-12-TS8-TK8-RK8-0,6/K1	43-05129
PVC grey LiYY 0,34 mm <sup>2</sup>	0,3m	SAL-12-TS5.1-TK5.1-RK5.1-0,3/A1	43-05118		
	0,6m	SAL-12-TS5.1-TK5.1-RK5.1-0,6/A1	43-05119		
TPU UL, halogenfree black Li9Y11Y 0,34 mm <sup>2</sup>	0,3m	SAL-12-TS5.1-TK5.1-RK5.1-0,3/K1	43-05120		
	0,6m	SAL-12-TS5.1-TK5.1-RK5.1-0,6/K1	43-05121		

For custom length or quality levels contact factory

# SAL T-JUNCTION

Male connector 7/8" – 2x Female connector 7/8"



RoHS compliant

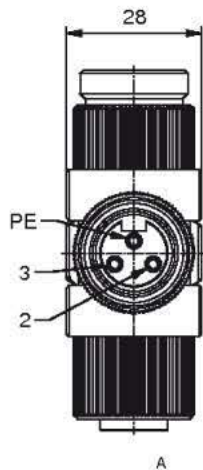
### TECHNICAL DATA

Rated voltage	2-pos+ground	4-pos+ground
	250V	250V
Current rating	10A	
Pollution degree	3	
Insulation resistance	≥ 100 MΩ	
Degree of protection	IP67 in mated condition	
Temperature range	-40°C to +80°C	
Mating cycles	≥ 100	

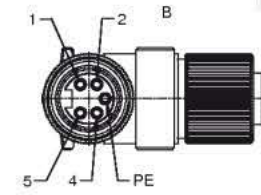
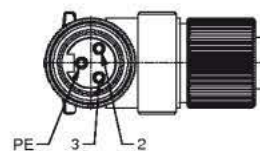
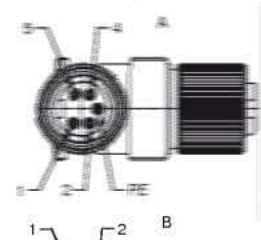
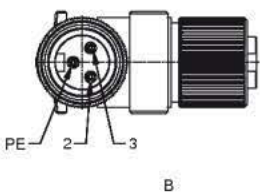
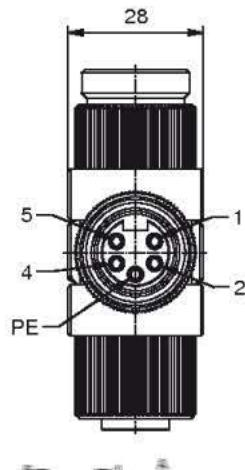
### PRODUCT DRAWING

#### Pin Configuration

2-pos+ground

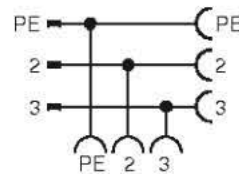


4-pos+ground

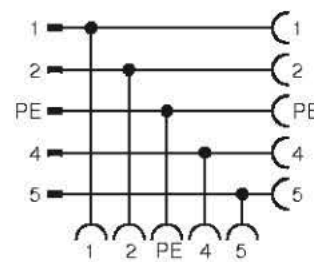


#### Contact Assignment

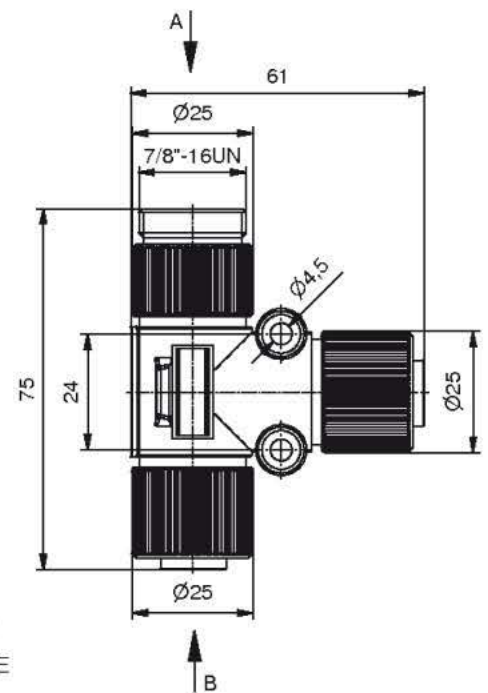
2-pos+ground



4-pos+ground



#### Dimension

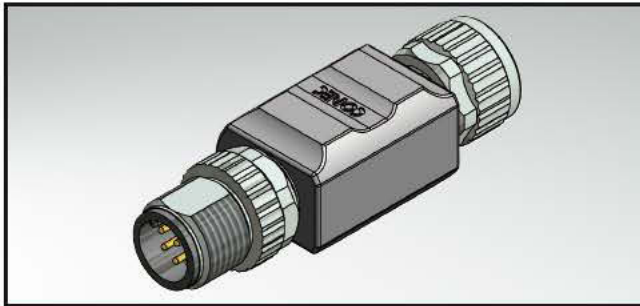


### ORDER DATA

Description	2-pos+ground Part-no.	Description	4-pos+ground Part-no.
SAL-7/8-TS2PE-TK2PE-TK2PE	41-30001	SAL-7/8-TS4PE-TK4PE-TK4PE	41-30002

# SAL ADAPTER

Male connector M12x1 – Female connector M12x1



RoHS compliant

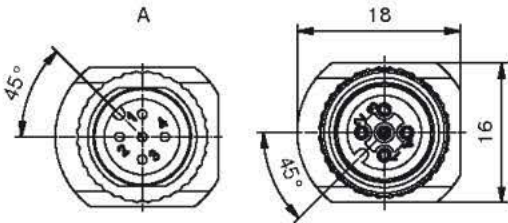
## TECHNICAL DATA

Rated voltage	4-pos	5-pos	8-pos
	240V	60V	30V
Current rating	4A at +40°C (4- und 5-pos)		
	2A at +40°C (8-pos)		
Pollution degree	3 / 2		
Insulation resistance	≥ 100 MΩ		
Degree of protection	IP67 in mated condition		
Temperature range	-30°C to +80°C		
Mating cycles	≥ 100		

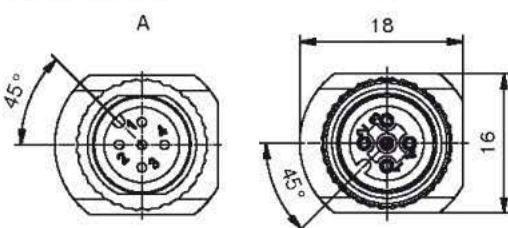
## PRODUCT DRAWING

### Pin Configuration

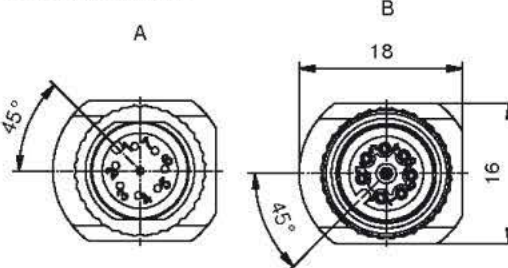
4-pos male/female



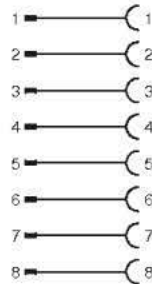
5-pos male/female



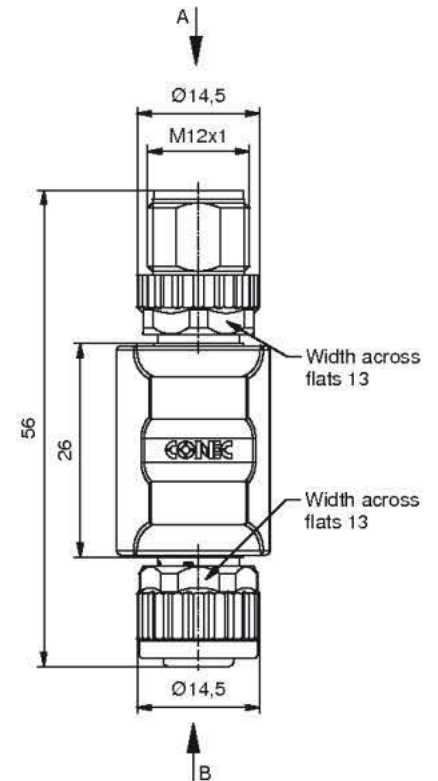
8-pos male/female



### Contact Assignment



### Dimension

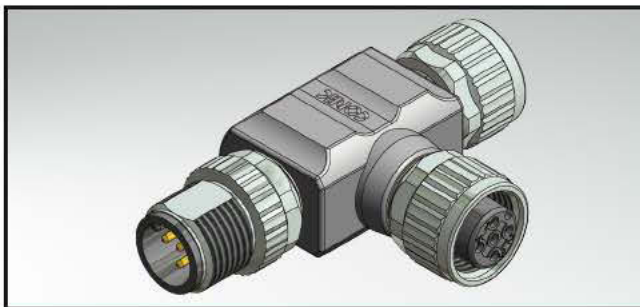


## ORDER DATA

Description	4-pos Part-no.	Description	5-pos Part-no.	Description	8-pos Part-no.
SAL-12-TS4-TK4	43-05130	SAL-12-TS5-TK5	43-05131	SAL-12-TS8-TK8	43-05113

# SAL ADAPTER

Male connector M12x1 – 2x Female connector M12x1



RoHS compliant

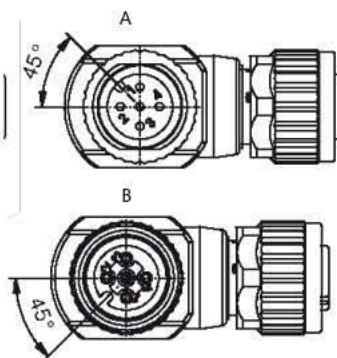
### TECHNICAL DATA

Rated voltage	4-pos	5-pos
	240V	60V
Current rating	4A at +40°C	
Pollution degree	3 / 2	
Insulation resistance	≥ 100 MΩ	
Degree of protection	IP67 in mated condition	
Temperature range	-30°C to +80°C	
Mating cycles	≥ 100	

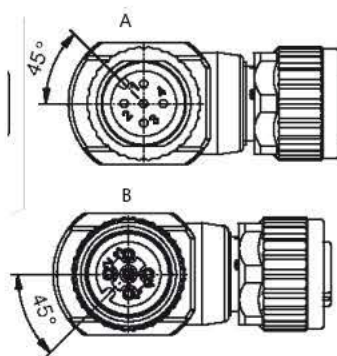
### PRODUCT DRAWING

#### Pin Configuration

4-pos male/female

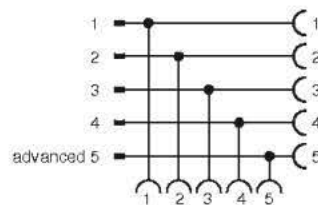


5-pos male/female

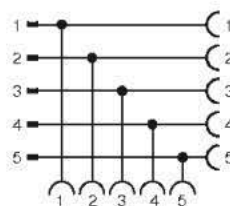


#### Contact Assignment

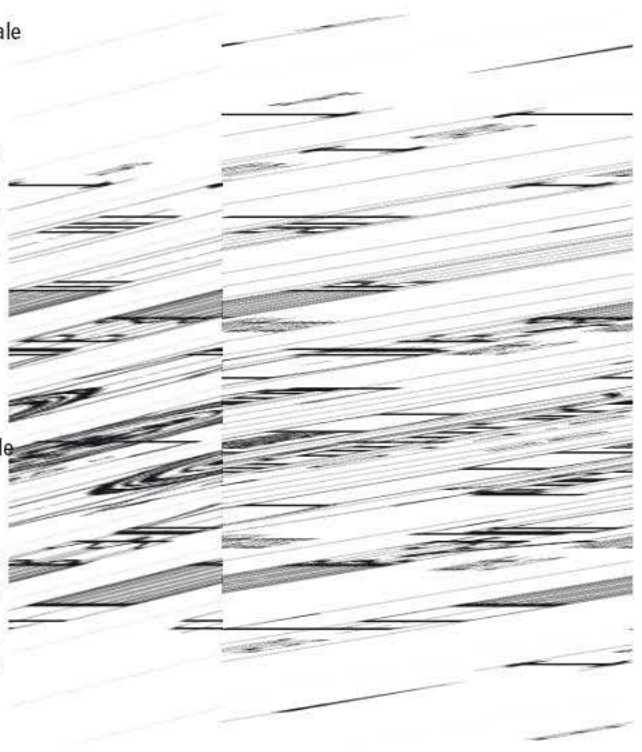
4- 5-pos male/female



5.1-pos male/female



#### Dimension



### ORDER DATA

Description	4-pos Part-no.	Description	5-pos Part-no.
SAL-12-TS4-TK4-TK4	43-05115	SAL-12-TS5-TK5-TK5	43-05116
		SAL-12-TS5.1-TK5.1-TK5.1	43-05114

# SENSOR-ACTUATOR-JUNCTION BOX M8x1

4-fold Junction box, with M12x1 – connector, I/O-ports M8x1 3-pos



RoHS compliant

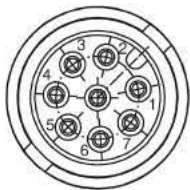
## TECHNICAL DATA

Rated voltage	4-fold/3-pos 30V
Current rating	2A per signal contact / total ampacity max. 3A
Pollution degree	3 / 2
Insulation resistance	>= 100 MΩ
Degree of protection	IP67 in mated condition
Temperature range	-20°C bis +80°C (unmoved)
Mating cycles	>= 100

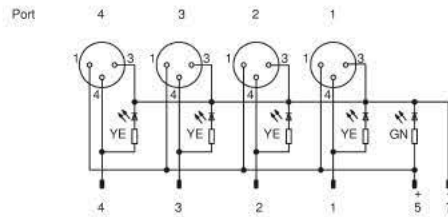
## PRODUCT DRAWING

### Pin Configuration

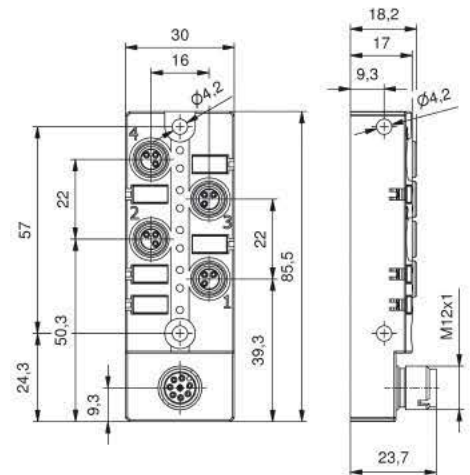
M12x1



### Contact Assignment



### Dimension



## ORDER DATA

Description	4-fold/3-pos Part-no.
SAL-8-4FK3-5L	42-05010

# SENSOR-ACTUATOR-JUNCTION BOX M8x1

8-fold Junction box, with M16x0,75-connector, I/O-ports M8x1 3-pos



RoHS compliant

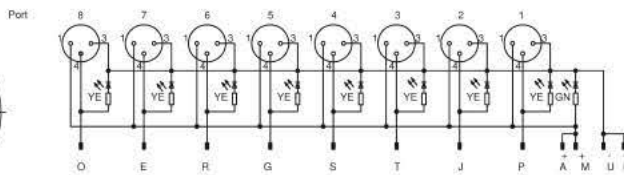
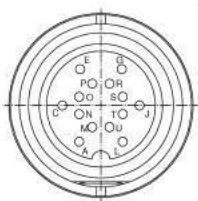
### TECHNICAL DATA

Rated voltage	8-fold/3-pos 30V
Current rating	2A per signal contact / total ampacity max. 6A
Pollution degree	3 / 2
Insulation resistance	>= 100 MΩ
Degree of protection	IP67 in mated condition
Temperature range	-20°C bis +80°C (unmoved)
Mating cycles	>= 100

### PRODUCT DRAWING

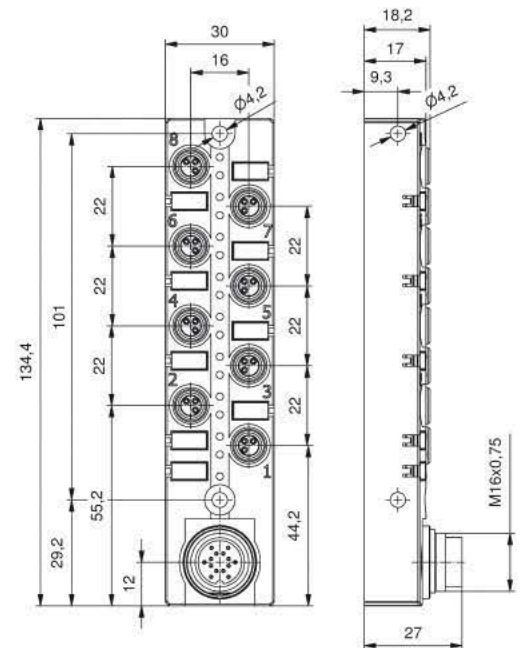
#### Pin Configuration

M16x0,75



#### Contact Assignment

#### Dimension



### ORDER DATA

Description	8-fold/3-pos Part-no.
SAL-8-8FK3-9L	42-05011

# SENSOR-ACTUATOR-JUNCTION BOX M8x1

4-fold Junction box with homerun-cable, I/O-ports M8x1 3-pos



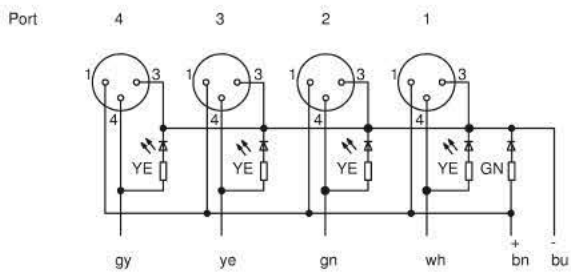
RoHS compliant

### TECHNICAL DATA

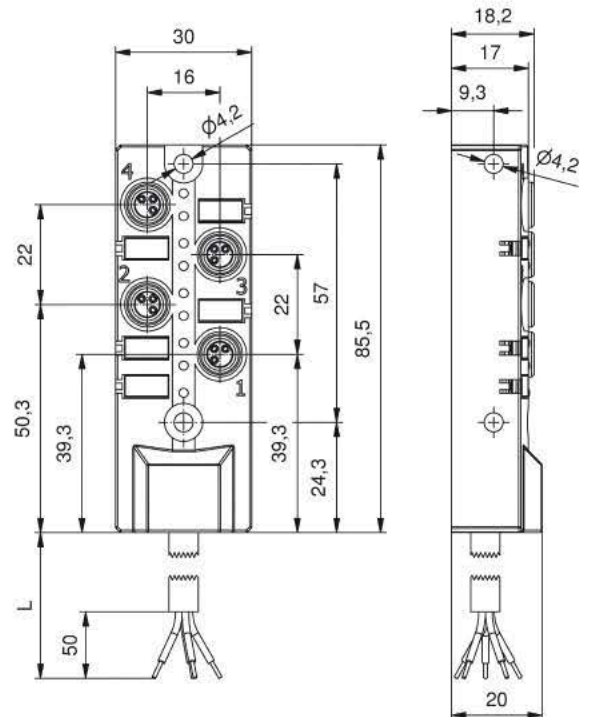
Rated voltage	4-fold/3-pos 30V
Current rating	2A per signal contact / total ampacity max. 6A
Pollution degree	3 / 2
Insulation resistance	>= 100 MΩ
Degree of protection	IP67 in mated condition
Temperature range	-20°C bis +80°C (unmoved)
Mating cycles	>= 100

### PRODUCT DRAWING

#### Contact Assignment



#### Dimension



### ORDER DATA

Cable	Length/L	Description	4-fold/3-pos Part-no.
TPU UL, halogenfree black	5m	SAL-8-4FK3-5L-5 / K3	42-05006
Li9YH11YH 2x0,75 mm/4x0,34 mm <sup>2</sup>	10m	SAL-8-4FK3-5L-10 / K3	42-05007

For custom length or quality levels contact factory

# SENSOR-ACTUATOR-JUNCTION BOX M8x1

4-fold Junction box with homerun-cable, I/O-ports M8x1 4-pos



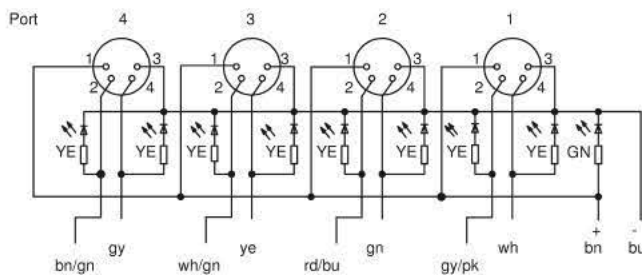
RoHS compliant

### TECHNICAL DATA

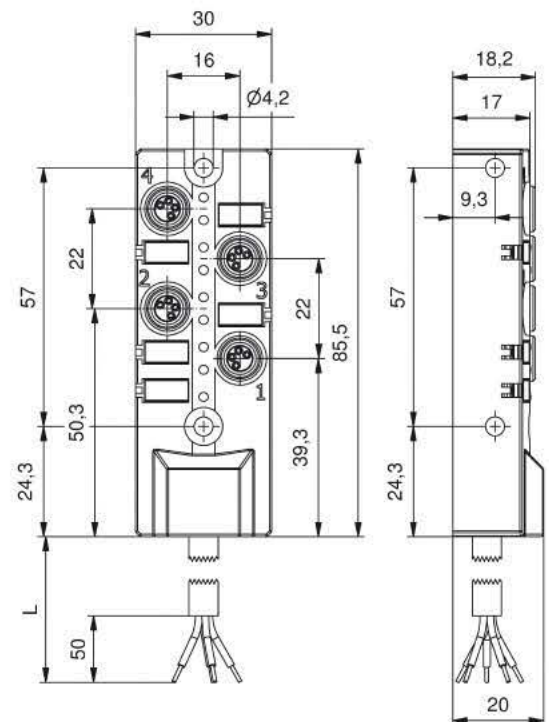
Rated voltage	4-fold/4-pos 30V
Current rating	2A per signal contact / total ampacity max. 6A
Pollution degree	3 / 2
Insulation resistance	>= 100 MΩ
Degree of protection	IP67 in mated condition
Temperature range	-20°C bis +80°C (unmoved)
Mating cycles	>= 100

### PRODUCT DRAWING

#### Contact Assignment



#### Dimension



### ORDER DATA

Cable	Length/L	Description	4-fold/4-pos Part-no.
TPU UL, halogenfree black	5m	SAL-8-4FK4-9L-5 / K3	42-05000
Li9YH11YH 2x0,75/8x0,34 mm <sup>2</sup>	10m	SAL-8-4FK4-9L-10 / K3	42-05001

For custom length or quality levels contact factory

# SENSOR-ACTUATOR-JUNCTION BOX M8x1

8-fold Junction box with homerun-cable, I/O-ports M8x1 3-pos



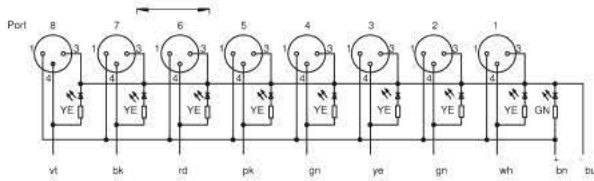
RoHS compliant

## TECHNICAL DATA

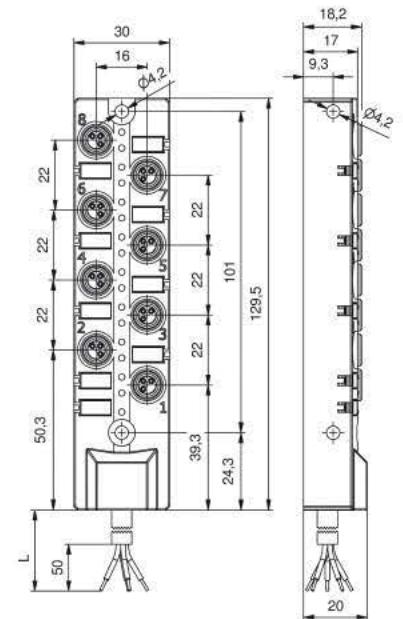
Rated voltage	8-fold/3-pos 30V
Current rating	2A per signal contact / total ampacity max. 6A
Pollution degree	3 / 2
Insulation resistance	>= 100 MΩ
Degree of protection	IP67 in mated condition
Temperature range	-20°C bis +80°C (unmoved)
Mating cycles	>= 100

## PRODUCT DRAWING

### Contact Assignment



### Dimension



## ORDER DATA

Cable	Length/L	Description	8-fold/3-pos Part-no.
TPU UL, halogenfree black	5m	SAL-8-8FK3-9L-5 / K3	42-05008
Li9YH11YH 2x0,75/8x0,34 mm <sup>2</sup>	10m	SAL-8-8FK3-9L-10 / K3	42-05009

For custom length or quality levels contact factory

# SENSOR-ACTUATOR-JUNCTION BOX M8x1

8-fold Junction box with homerun-cable, I/O-ports M8x1 4-pos



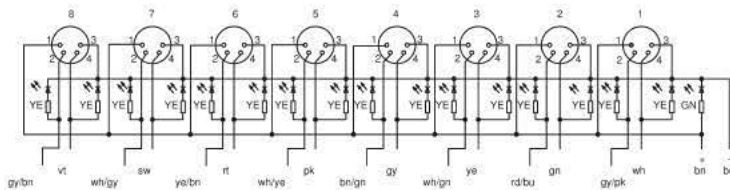
RoHS compliant

### TECHNICAL DATA

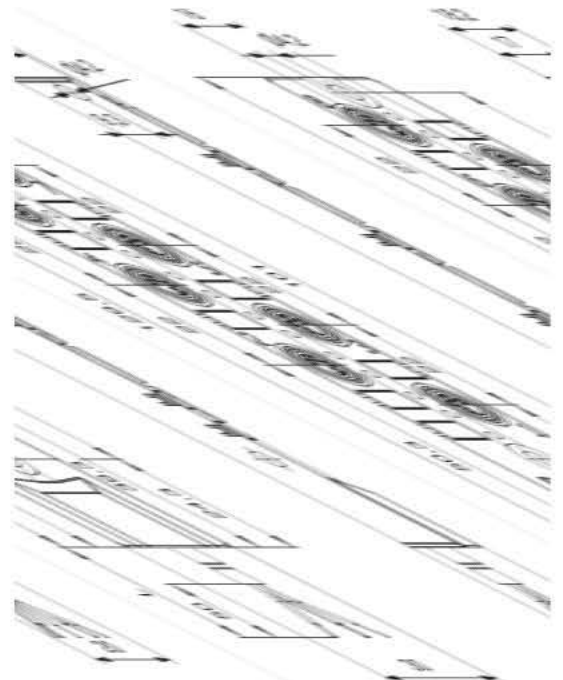
Rated voltage	8-fold/4-pos 30V
Current rating	2A per signal contact / total ampacity max. 6A
Pollution degree	3 / 2
Insulation resistance	>= 100 MΩ
Degree of protection	IP67 in mated condition
Temperature range	-20°C bis +80°C (unmoved)
Mating cycles	>= 100

### PRODUCT DRAWING

#### Contact Assignment



#### Dimension



### ORDER DATA

Cable	Length/L	Description	8-fold/4-pos Part-no.
TPU UL, halogenfree black	5m	SAL-8-8FK4-17L-5/ K3	42-05002
Li9YH11YH 2x0,75/16x0,34 mm <sup>2</sup>	10m	SAL-8-8FK4-17L-10/ K3	42-05003

For custom length or quality levels contact factory

# SENSOR-ACTUATOR-JUNCTION BOX M12x1

4-fold Junction box, with M23x1 – connector, I/O-ports M12x1 4-pos+ground



RoHS compliant

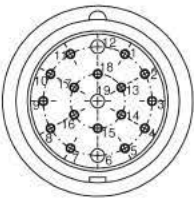
### TECHNICAL DATA

Rated voltage	4-fold/4+ground 30V
Current rating	2A per signal contact / total ampacity max. 12A
Pollution degree	3 / 2
Insulation resistance	>= 100 MΩ
Degree of protection	IP67 in mated condition
Temperature range	-20°C bis +80°C (unmoved)
Mating cycles	>= 100

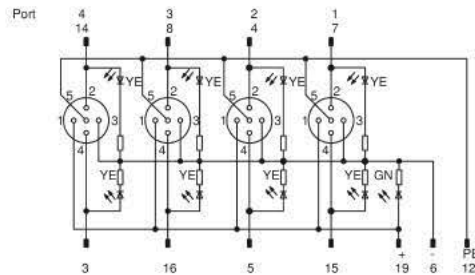
### PRODUCT DRAWING

#### Pin Configuration

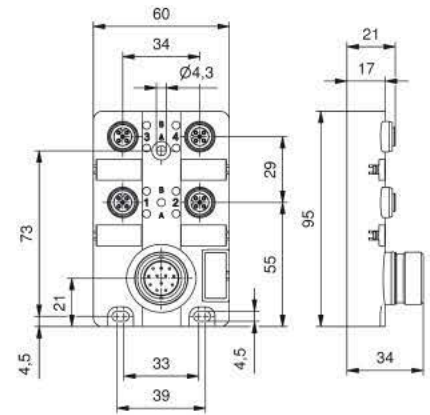
M23x1



#### Contact Assignment



#### Dimension

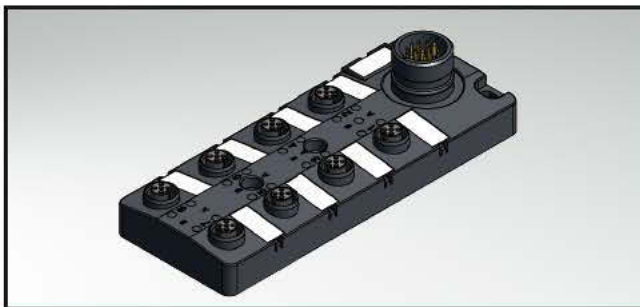


### ORDER DATA

Description	4-fold / 4+ground
Part-no.	43-05014
SAL-12-4FK5-9L	

# SENSOR-ACTUATOR-JUNCTION BOX M12x1

8-fold Junction box, with M23x1 – connector, I/O-ports M12x1 4-pos+ground



RoHS compliant

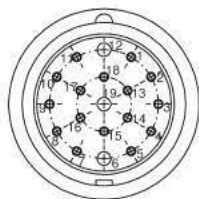
## TECHNICAL DATA

Rated voltage	8-fold/4+ground 30V
Current rating	2A per signal contact / total ampacity max. 12A
Pollution degree	3 / 2
Insulation resistance	>= 100 MΩ
Degree of protection	IP67 in mated condition
Temperature range	-20°C bis +80°C (unmoved)
Mating cycles	>= 100

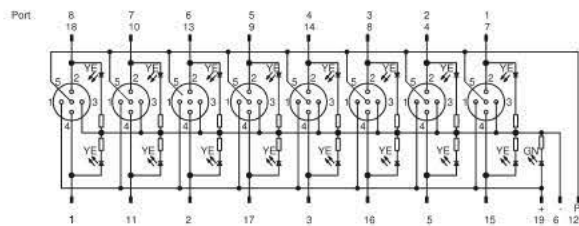
## PRODUCT DRAWING

### Pin Configuration

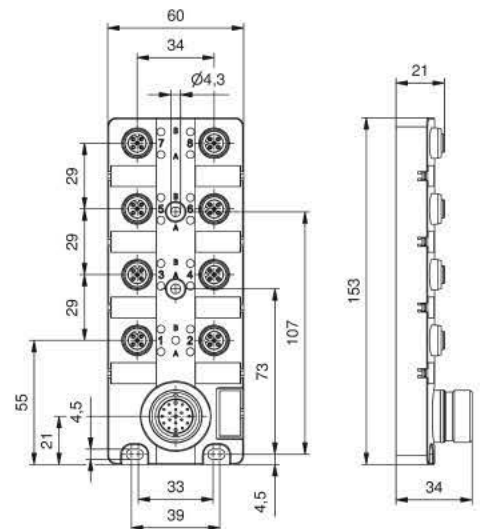
M23x1



### Contact Assignment



### Dimension

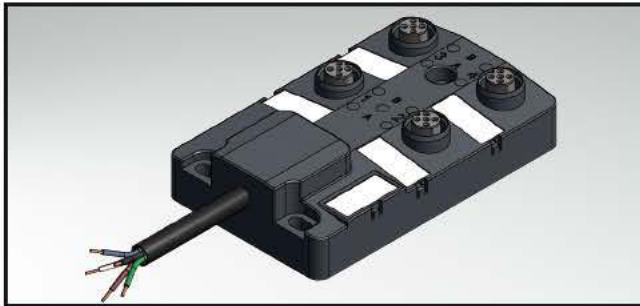


## ORDER DATA

Description	8-fold / 4+ground
	Part-no.
SAL-12-8FK5-17L	43-05015

# SENSOR-ACTUATOR-JUNCTION BOX M12x1

4-fold Junction box with homerun-cable, I/O-ports M12x1 4-pos+ground



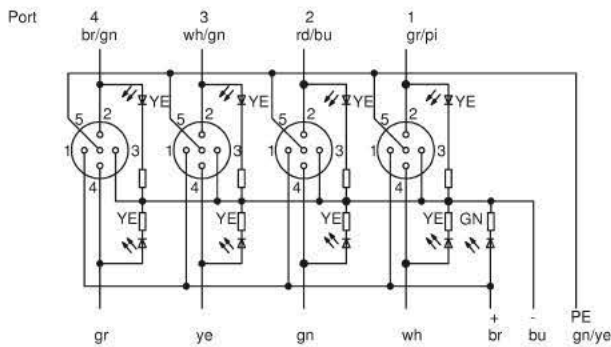
RoHS compliant

### TECHNICAL DATA

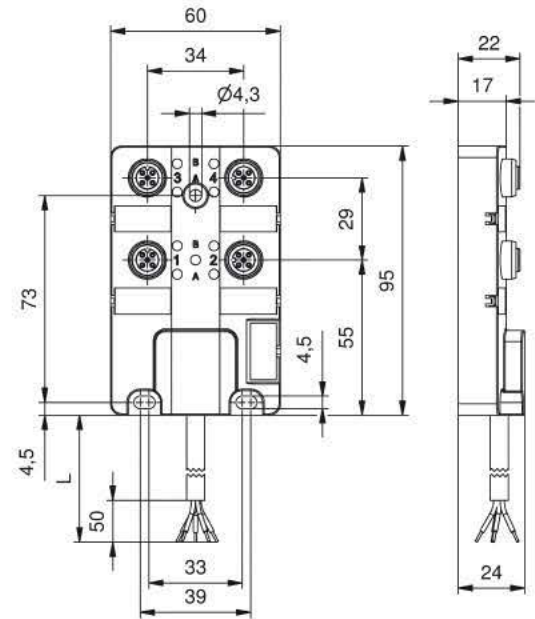
Rated voltage	4-fold/4-pos+ground 30V
Current rating	2A per signal contact / total ampacity max. 12A
Pollution degree	3 / 2
Insulation resistance	>= 100 MΩ
Degree of protection	IP67 in mated condition
Temperature range	-20°C bis +80°C (unmoved)
Mating cycles	>= 100

### PRODUCT DRAWING

#### Contact Assignment



#### Dimension



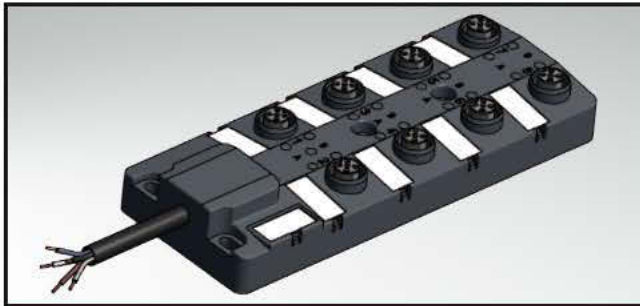
### ORDER DATA

Cable	Length/L	Description	4-fold/4-pos+ground Part-no.
TPU UL, halogenfree black	5m	SAL-12-4FK5-9L-5/K3	43-05010
Li9YH11YH 8x0,34/3x1,0 mm <sup>2</sup>	10m	SAL-12-4FK5-9L-10/K3	43-05011

For custom length or quality levels contact factory

# SENSOR-ACTUATOR-JUNCTION BOX M12x1

8-fold Junction box with homerun-cable, I/O-ports M12x1 4-pos+ground



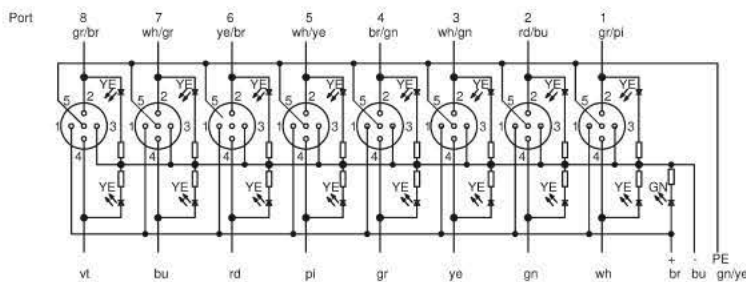
RoHS compliant

### TECHNICAL DATA

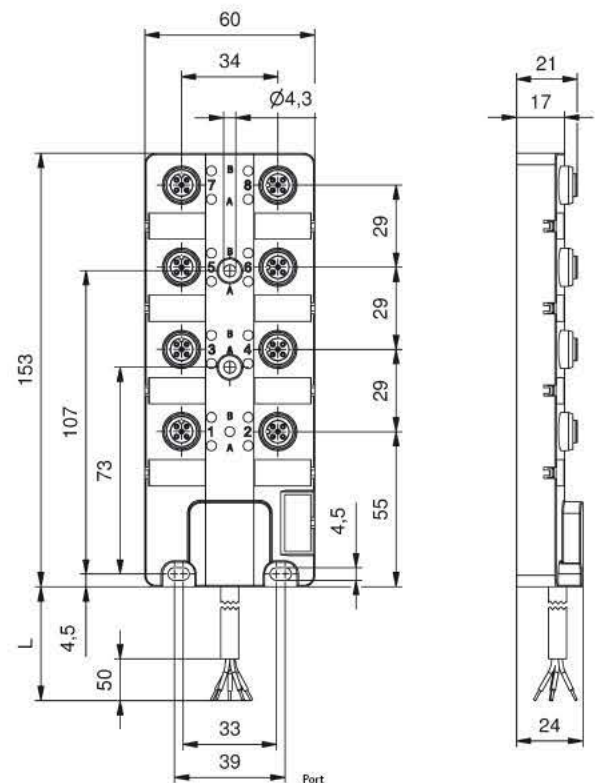
Rated voltage	8-fold/4-pos+ground 30V
Current rating	2A per signal contact / total ampacity max. 12A
Pollution degree	3 / 2
Insulation resistance	>= 100 MΩ
Degree of protection	IP67 in mated condition
Temperature range	-20°C bis +80°C (unmoved)
Mating cycles	>= 100

### PRODUCT DRAWING

#### Contact Assignment



#### Dimension



### ORDER DATA

Cable	Length/L	Description	8-fold/4-pos+ground Part-no.
TPU UL, halogenfree black	5m	SAL-12-8FK5-17L-5/K3	43-05012
16x0,34/3x1,0 mm <sup>2</sup>	10m	SAL-12-8FK5-17L-10/K3	43-05013

For custom length or quality levels contact factory

SECTION 8

**VALVEPLUGS**

---





# VALVEPLUGS

## Nomenclature

S A L - A - V 2 P E G - 0 - 0 2 2 0 - 2 / K 1 / 075

**SAL**  
Sensor Actor Line

**Installation size**

A = Type A  
B = Type B  
BI = Type B, Industry  
C8 = Type C, Contact distance 8mm  
C9 = Type C, Contact distance 9,4mm

**Building**

V = Valveplugs

**Number of poles**

2PE = 2-pos+ground

**Building**

= Ground, not jumpered  
G = Ground, jumpered

0 = Ground 0°  
180 = Ground turned 180°

0 = Without protection circuit  
1 = Protection circuit varistor/LED bipolar

24 = 24 AC/DC  
220 = 220 AC/DC

**Cable length**

xx = Length (m)

**Cable quality**

A2 = PVC, black  
A3 = PVC, grey, UL  
H2 = PUR/PVC, black  
K1 = TPU, black, UL

**Wire cross-section**

= 3x0,5mm<sup>2</sup>  
075 = 3x0,75mm<sup>2</sup>

# VALVEPLUGS

## Productspecification

<b>Basic material</b>	
Contact	CuZn
Contact plating	Nickel-plated, Sn-plated
Contact carrier	PA GF, UL 94
Moulding body without protection circuit	TPU, UL 94 black
Moulding body without protection circuit	TPU, UL 94 translucent

### Technical Data

Information on the following pages are basing on below mentioned IEC-standards.	
Current rating	IEC 60512-5-2 5b
Pollution degree	IEC 60664-1
Degree of protection	IEC 60529
Temperature range	IEC 60664-1
Mating cycles	DIN EN 175301-803

Technical subject to change without notice.

# VALVEPLUGS CONFIGURATION A, WITH OVERMOULDED CABLE

2-pos+ground, ground jumpered, without protection circuit



RoHS compliant

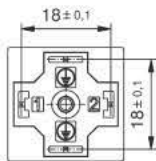
## TECHNICAL DATA

Rated voltage	2-pos+ground 230 AC / DC
Current rating	4A at +40°C
Pollution degree	3
Insulation resistance	>= 100 MΩ
Degree of protection	IP67 in mated condition
Temperature range	-25°C to +80°C
Mating cycles	> 50

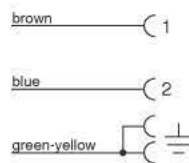
## PRODUCT DRAWING

### Pin Configuration

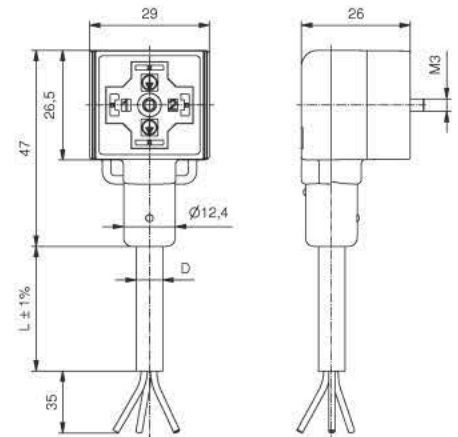
2-pos+ground



### Contact Assignment



### Dimension

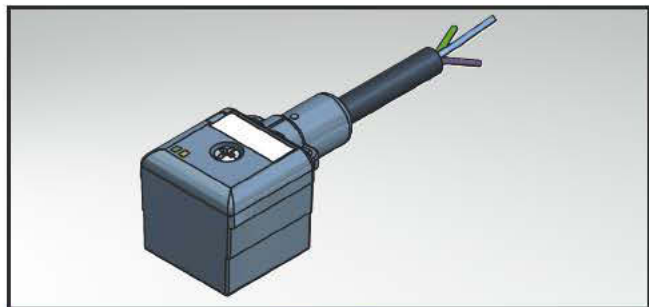


## ORDER DATA

Cable	Length/ L	Description	2-pos+ground Part-no.
PVC black LiYY 0,5 mm <sup>2</sup>	2m	SAL-A-V2PEG-0-0220-2 / A2	55-00079
	3m	SAL-A-V2PEG-0-0220-3 / A2	55-00064
	5m	SAL-A-V2PEG-0-0220-5 / A2	55-00065
	10m	SAL-A-V2PEG-0-0220-10 / A2	55-00080
PVC UL grey LiYY 0,75 mm <sup>2</sup>	2m	SAL-A-V2PEG-0-0220-2 / A3 / 075	55-00089
	3m	SAL-A-V2PEG-0-0220-3 / A3 / 075	55-00090
	5m	SAL-A-V2PEG-0-0220-5 / A3 / 075	55-00091
	10m	SAL-A-V2PEG-0-0220-10 / A3 / 075	55-00092
PUR/PVC black LiYY11Y 0,5 mm <sup>2</sup>	2m	SAL-A-V2PEG-0-0220-2 / H2	55-00045
	3m	SAL-A-V2PEG-0-0220-3 / H2	55-00000
	5m	SAL-A-V2PEG-0-0220-5 / H2	55-00001
	10m	SAL-A-V2PEG-0-0220-10 / H2	55-00072
TPU UL black Li9Y11Y 0,75 mm <sup>2</sup>	2m	SAL-A-V2PEG-0-0220-2 / K1 / 075	55-00085
	3m	SAL-A-V2PEG-0-0220-3 / K1 / 075	55-00086
	5m	SAL-A-V2PEG-0-0220-5 / K1 / 075	55-00087
	10m	SAL-A-V2PEG-0-0220-10 / K1 / 075	55-00088

# VALVEPLUGS CONFIGURATION A, WITH OVERMOULDED CABLE

2-pos+ground, ground jumpered, with protection circuit



RoHS compliant

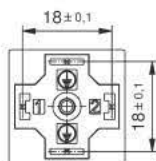
### TECHNICAL DATA

Rated voltage	2-pos+ground 24 AC / DC
Current rating	4A at +40°C
Pollution degree	3
Insulation resistance	>= 100 MΩ
Degree of protection	IP67 in mated condition
Temperature range	-25°C to +80°C
Mating cycles	> 50

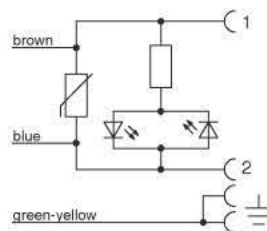
### PRODUCT DRAWING

#### Pin Configuration

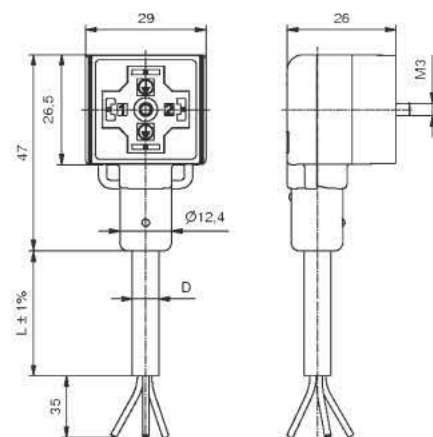
2-pos+ground



#### Contact Assignment



#### Dimension

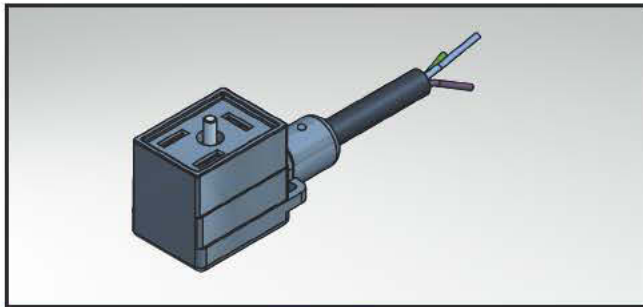


### ORDER DATA

Cable	Length / L	Description	2-pos+ground Part-no.
PVC black LiYY 0,5 mm <sup>2</sup>	2m	SAL-A-V2PEG-0-124-2 / A2	55-00082
	3m	SAL-A-V2PEG-0-124-3 / A2	55-00083
	5m	SAL-A-V2PEG-0-124-5 / A2	55-00048
	10m	SAL-A-V2PEG-0-124-10 / A2	55-00084
PVC UL grey LiYY 0,75 mm <sup>2</sup>	2m	SAL-A-V2PEG-0-124-2 / A3 / 075	55-00095
	3m	SAL-A-V2PEG-0-124-3 / A3 / 075	55-00096
	5m	SAL-A-V2PEG-0-124-5 / A3 / 075	55-00097
	10m	SAL-A-V2PEG-0-124-10 / A3 / 075	55-00098
PUR/PVC black LiYY11Y 0,5 mm <sup>2</sup>	2m	SAL-A-V2PEG-0-124-2 / H2	55-00081
	3m	SAL-A-V2PEG-0-124-3 / H2	55-00004
	5m	SAL-A-V2PEG-0-124-5 / H2	55-00005
	10m	SAL-A-V2PEG-0-124-10 / H2	55-00039
TPU UL black Li9Y11Y 0,75 mm <sup>2</sup>	2m	SAL-A-V2PEG-0-124-2 / K1 / 075	55-00093
	3m	SAL-A-V2PEG-0-124-3 / K1 / 075	55-00043
	5m	SAL-A-V2PEG-0-124-5 / K1 / 075	55-00094
	10m	SAL-A-V2PEG-0-124-10 / K1 / 075	55-00044

# VALVEPLUGS CONFIGURATION B-INDUSTRY, WITH OVERMOULDED CABLE

2-pos+ground, without protection circuit



RoHS compliant

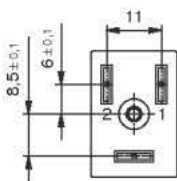
## TECHNICAL DATA

Rated voltage	2-pos+ground 230 AC / DC
Current rating	4A at +40°C
Pollution degree	3
Insulation resistance	>= 100 MΩ
Degree of protection	IP67 in mated condition
Temperature range	-25°C to +80°C
Mating cycles	> 50

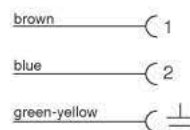
## PRODUCT DRAWING

### Pin Configuration

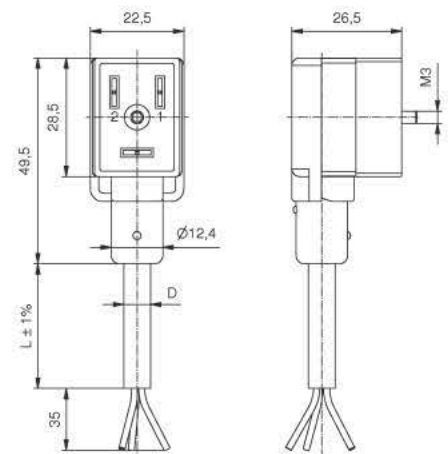
2-pos+ground



### Contact Assignment



### Dimension

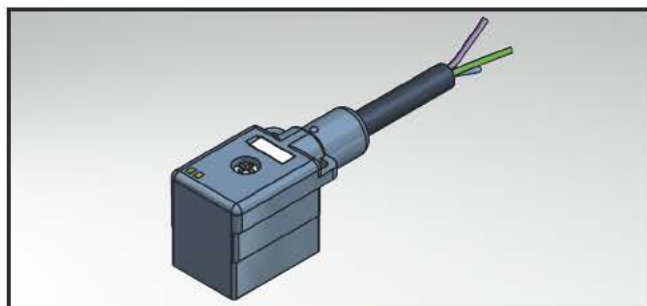


## ORDER DATA

Cable	Length / L	Description	2-pos+ground Part-no.
PVC black LiYY 0,5 mm <sup>2</sup>	2m	SAL-BI-V2PE-0-0220-2 / A2	55-00156
	3m	SAL-BI-V2PE-0-0220-3 / A2	55-00157
	5m	SAL-BI-V2PE-0-0220-5 / A2	55-00158
	10m	SAL-BI-V2PE-0-0220-10 / A2	55-00159
PVC UL grey LiYY 0,75 mm <sup>2</sup>	2m	SAL-BI-V2PE-0-0220-2 / A3 / 075	55-00169
	3m	SAL-BI-V2PE-0-0220-3 / A3 / 075	55-00170
	5m	SAL-BI-V2PE-0-0220-5 / A3 / 075	55-00171
	10m	SAL-BI-V2PE-0-0220-10 / A3 / 075	55-00172
PUR/PVC black LiYY11Y 0,5 mm <sup>2</sup>	2m	SAL-BI-V2PE-0-0220-2 / H2	55-00154
	3m	SAL-BI-V2PE-0-0220-3 / H2	55-00008
	5m	SAL-BI-V2PE-0-0220-5 / H2	55-00009
	10m	SAL-BI-V2PE-0-0220-10 / H2	55-00155
TPU UL black Li9Y11Y 0,75 mm <sup>2</sup>	2m	SAL-BI-V2PE-0-0220-2 / K1 / 075	55-00165
	3m	SAL-BI-V2PE-0-0220-3 / K1 / 075	55-00166
	5m	SAL-BI-V2PE-0-0220-5 / K1 / 075	55-00167
	10m	SAL-BI-V2PE-0-0220-10 / K1 / 075	55-00168

# VALVEPLUGS CONFIGURATION B-INDUSTRY, WITH OVERMOULDED CABLE

## 2-pos+ground, with protection circuit



RoHS compliant

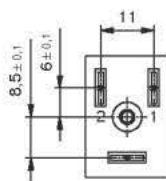
### TECHNICAL DATA

Rated voltage	2-pos+ground 24 AC / DC
Current rating	4A at +40°C
Pollution degree	3
Insulation resistance	>= 100 MΩ
Degree of protection	IP67 in mated condition
Temperature range	-25°C to +80°C
Mating cycles	> 50

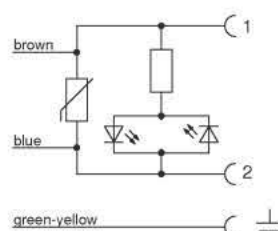
### PRODUCT DRAWING

#### Pin Configuration

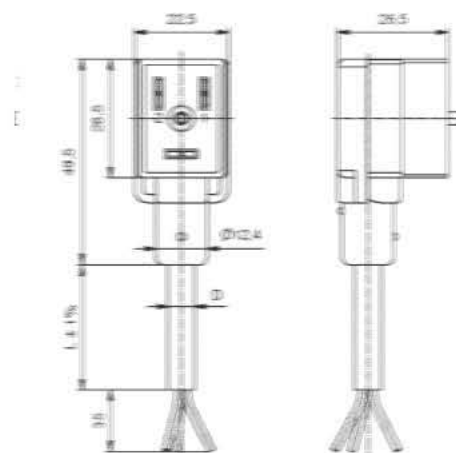
2-pos+ground



#### Contact Assignment



#### Dimension



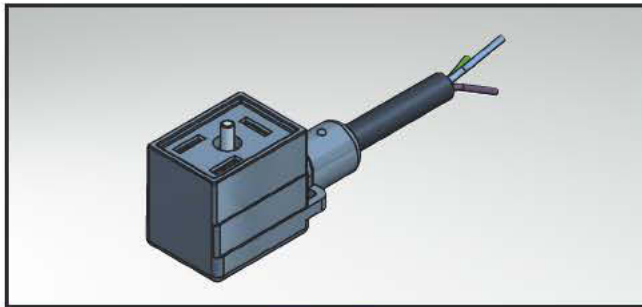
### ORDER DATA

Cable	Length / L	Description	2-pos+ground Part-no.
PVC black LiYY 0,5 mm <sup>2</sup>	2m	SAL-BI-V2PE-0-124-2 / A2	55-00161
	3m	SAL-BI-V2PE-0-124-3 / A2	55-00162
	5m	SAL-BI-V2PE-0-124-5 / A2	55-00163
	10m	SAL-BI-V2PE-0-124-10 / A2	55-00164
PVC UL grey LiYY 0,75 mm <sup>2</sup>	2m	SAL-BI-V2PE-0-124-2 / A3 / 075	55-00177
	3m	SAL-BI-V2PE-0-124-3 / A3 / 075	55-00178
	5m	SAL-BI-V2PE-0-124-5 / A3 / 075	55-00179
	10m	SAL-BI-V2PE-0-124-10 / A3 / 075	55-00180
PUR/PVC black LiYY11Y 0,5 mm <sup>2</sup>	2m	SAL-BI-V2PE-0-124-2 / H2	55-00160
	3m	SAL-BI-V2PE-0-124-3 / H2	55-00012
	5m	SAL-BI-V2PE-0-124-5 / H2	55-00013
	10m	SAL-BI-V2PE-0-124-10 / H2	55-00040
TPU UL black Li9Y11Y 0,75 mm <sup>2</sup>	2m	SAL-BI-V2PE-0-124-2 / K1 / 075	55-00173
	3m	SAL-BI-V2PE-0-124-3 / K1 / 075	55-00174
	5m	SAL-BI-V2PE-0-124-5 / K1 / 075	55-00175
	10m	SAL-BI-V2PE-0-124-10 / K1 / 075	55-00176

For custom length or quality levels contact factory

# VALVEPLUGS CONFIGURATION B-INDUSTRY, WITH OVERMOULDED CABLE

2-pos+ground, without protection circuit, ground turned 180°



RoHS compliant

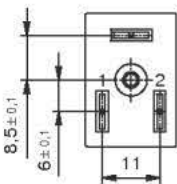
## TECHNICAL DATA

Rated voltage	2-pos+ground 230 AC / DC
Current rating	4A at +40°C
Pollution degree	3
Insulation resistance	>= 100 MΩ
Degree of protection	IP67 in mated condition
Temperature range	-25°C to +80°C
Mating cycles	> 50

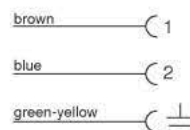
## PRODUCT DRAWING

### Pin Configuration

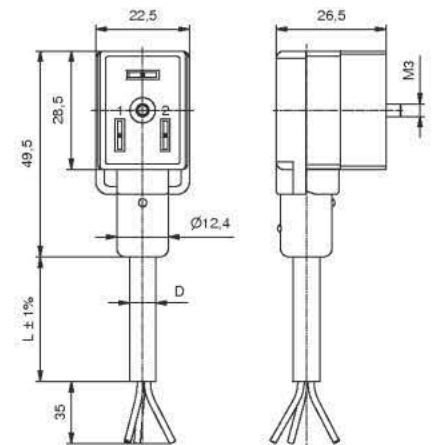
2-pos+ground



### Contact Assignment



### Dimension

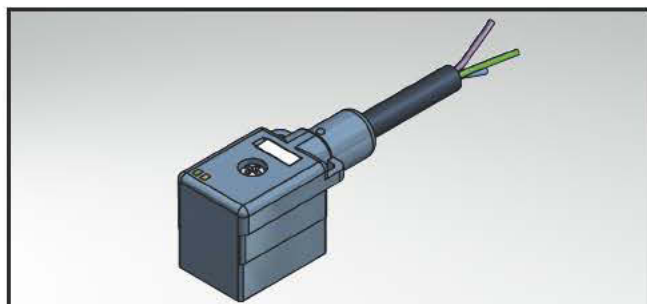


## ORDER DATA

Cable	Length / L	Description	2-pos+ground Part-no.
PVC black LiYY 0,5 mm <sup>2</sup>	2m	SAL-BI-V2PE-180-0220-2 / A2	55-00183
	3m	SAL-BI-V2PE-180-0220-3 / A2	55-00184
	5m	SAL-BI-V2PE-180-0220-5 / A2	55-00185
	10m	SAL-BI-V2PE-180-0220-10 / A2	55-00186
PVC UL grey LiYY 0,75 mm <sup>2</sup>	2m	SAL-BI-V2PE-180-0220-2 / A3 / 075	55-00195
	3m	SAL-BI-V2PE-180-0220-3 / A3 / 075	55-00196
	5m	SAL-BI-V2PE-180-0220-5 / A3 / 075	55-00197
	10m	SAL-BI-V2PE-180-0220-10 / A3 / 075	55-00198
PUR/PVC black LiYY11Y 0,5 mm <sup>2</sup>	2m	SAL-BI-V2PE-180-0220-2 / H2	55-00181
	3m	SAL-BI-V2PE-180-0220-3 / H2	55-00010
	5m	SAL-BI-V2PE-180-0220-5 / H2	55-00011
	10m	SAL-BI-V2PE-180-0220-10 / H2	55-00182
TPU UL black Li9Y11Y 0,75 mm <sup>2</sup>	2m	SAL-BI-V2PE-180-0220-2 / K1 / 075	55-00191
	3m	SAL-BI-V2PE-180-0220-3 / K1 / 075	55-00192
	5m	SAL-BI-V2PE-180-0220-5 / K1 / 075	55-00193
	10m	SAL-BI-V2PE-180-0220-10 / K1 / 075	55-00194

# VALVEPLUGS CONFIGURATION B-INDUSTRY, WITH OVERMOULDED CABLE

2-pos+ground, with protection circuit, ground turned 180°



RoHS compliant

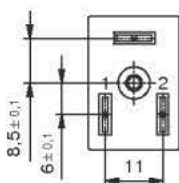
## TECHNICAL DATA

Rated voltage	2-pos+ground 24 AC / DC
Current rating	4A at +40°C
Pollution degree	3
Insulation resistance	≥ 100 MΩ
Degree of protection	IP67 in mated condition
Temperature range	-25°C to +80°C
Mating cycles	> 50

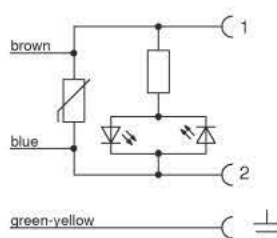
## PRODUCT DRAWING

### Pin Configuration

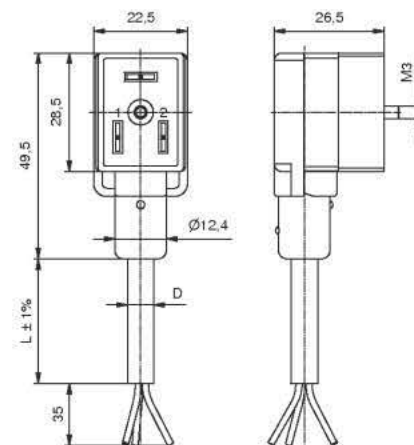
2-pos+ground



### Contact Assignment



### Dimension



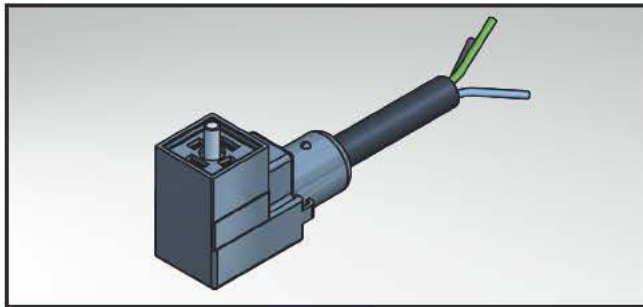
## ORDER DATA

Cable	Length / L	Description	2-pos+ground Part-no.
PVC black LiYY 0,5 mm <sup>2</sup>	2m	SAL-BI-V2PE-180-124-2/A2	55-00187
	3m	SAL-BI-V2PE-180-124-3/A2	55-00188
	5m	SAL-BI-V2PE-180-124-5/A2	55-00189
	10m	SAL-BI-V2PE-180-124-10/A2	55-00190
PVC UL grey LiYY 0,75 mm <sup>2</sup>	2m	SAL-BI-V2PE-180-124-2/A3/075	55-00203
	3m	SAL-BI-V2PE-180-124-3/A3/075	55-00204
	5m	SAL-BI-V2PE-180-124-5/A3/075	55-00205
	10m	SAL-BI-V2PE-180-124-10/A3/075	55-00206
PUR/PVC black LiYY11Y 0,5 mm <sup>2</sup>	2m	SAL-BI-V2PE-180-124-2/H2	55-00073
	3m	SAL-BI-V2PE-180-124-3/H2	55-00014
	5m	SAL-BI-V2PE-180-124-5/H2	55-00015
	10m	SAL-BI-V2PE-180-124-10/H2	55-00074
TPU UL black Li9Y11Y 0,75 mm <sup>2</sup>	2m	SAL-BI-V2PE-180-124-2/K1/075	55-00199
	3m	SAL-BI-V2PE-180-124-3/K1/075	55-00200
	5m	SAL-BI-V2PE-180-124-5/K1/075	55-00201
	10m	SAL-BI-V2PE-180-124-10/K1/075	55-00202

For custom length or quality levels contact factory

# VALVEPLUGS CONFIGURATION C, WITH OVERMOULDED CABLE

2-pos+ground, ground jumpered, without protection circuit



RoHS compliant

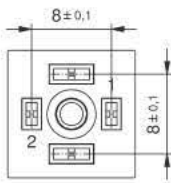
## TECHNICAL DATA

Rated voltage	2-pos+ground 230 AC / DC
Current rating	4A at +40°C
Pollution degree	3
Insulation resistance	>= 100 MΩ
Degree of protection	IP67 in mated condition
Temperature range	-25°C to +80°C
Mating cycles	> 50

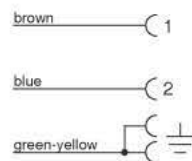
## PRODUCT DRAWING

### Pin Configuration

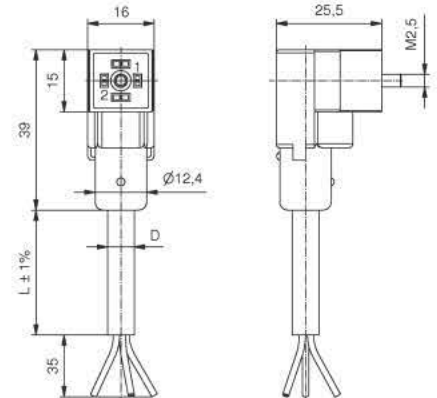
2-pos+ground



### Contact Assignment



### Dimension

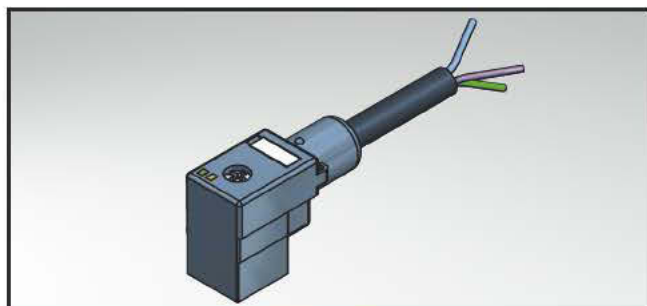


## ORDER DATA

Cable	Length / L	Description	2-pos+ground Part-no.
PVC black LiYY 0,5 mm <sup>2</sup>	2m	SAL-C8-V2PEG-0-0220-2 / A2	55-00209
	3m	SAL-C8-V2PEG-0-0220-3 / A2	55-00210
	5m	SAL-C8-V2PEG-0-0220-5 / A2	55-00211
	10m	SAL-C8-V2PEG-0-0220-10 / A2	55-00212
PVC UL grey LiYY 0,75 mm <sup>2</sup>	2m	SAL-C8-V2PEG-0-0220-2 / A3 / 075	55-00222
	3m	SAL-C8-V2PEG-0-0220-3 / A3 / 075	55-00223
	5m	SAL-C8-V2PEG-0-0220-5 / A3 / 075	55-00224
	10m	SAL-C8-V2PEG-0-0220-10 / A3 / 075	55-00225
PUR/PVC black LiYY11Y 0,5 mm <sup>2</sup>	2m	SAL-C8-V2PEG-0-0220-2 / H2	55-00207
	3m	SAL-C8-V2PEG-0-0220-3 / H2	55-00016
	5m	SAL-C8-V2PEG-0-0220-5 / H2	55-00017
	10m	SAL-C8-V2PEG-0-0220-10 / H2	55-00208
TPU UL black Li9Y11Y 0,75 mm <sup>2</sup>	2m	SAL-C8-V2PEG-0-0220-2 / K1 / 075	55-00218
	3m	SAL-C8-V2PEG-0-0220-3 / K1 / 075	55-00219
	5m	SAL-C8-V2PEG-0-0220-5 / K1 / 075	55-00220
	10m	SAL-C8-V2PEG-0-0220-10 / K1 / 075	55-00221

# VALVEPLUGS CONFIGURATION C, WITH OVERMOULDED CABLE

2-pos+ground, ground jumpered, with protection circuit



RoHS compliant

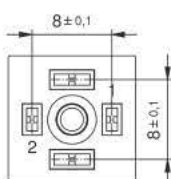
## TECHNICAL DATA

Rated voltage	2-pos+ground 24 AC / DC
Current rating	4A at +40°C
Pollution degree	3
Insulation resistance	>= 100 MΩ
Degree of protection	IP67 in mated condition
Temperature range	-25°C to +80°C
Mating cycles	> 50

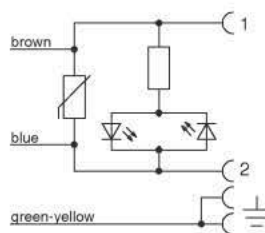
## PRODUCT DRAWING

### Pin Configuration

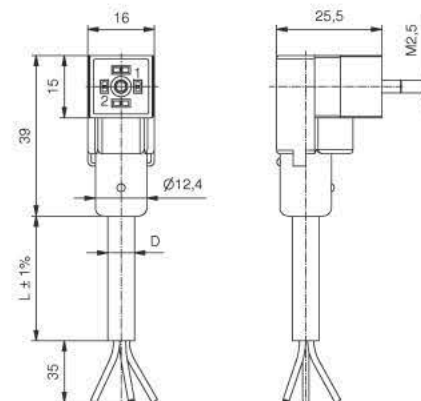
2-pos+ground



### Contact Assignment



### Dimension



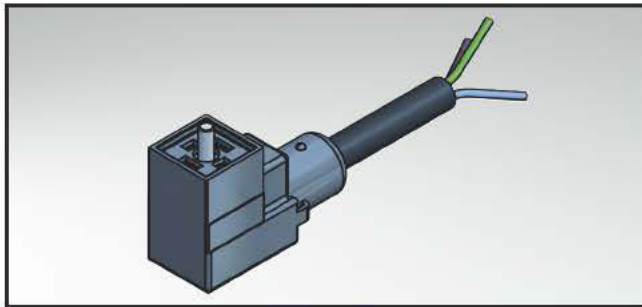
## ORDER DATA

Cable	Length / L	Description	2-pos+ground Part-no.
PVC black LiYY 0,5 mm <sup>2</sup>	2m	SAL-C8-V2PEG-0-124-2 / A2	55-00214
	3m	SAL-C8-V2PEG-0-124-3 / A2	55-00215
	5m	SAL-C8-V2PEG-0-124-5 / A2	55-00216
	10m	SAL-C8-V2PEG-0-124-10 / A2	55-00217
PVC UL grey LiYY 0,75 mm <sup>2</sup>	2m	SAL-C8-V2PEG-0-124-2 / A3 / 075	55-00230
	3m	SAL-C8-V2PEG-0-124-3 / A3 / 075	55-00231
	5m	SAL-C8-V2PEG-0-124-5 / A3 / 075	55-00232
	10m	SAL-C8-V2PEG-0-124-10 / A3 / 075	55-00233
PUR/PVC black LiY11Y 0,5 mm <sup>2</sup>	2m	SAL-C8-V2PEG-0-124-2 / H2	55-00213
	3m	SAL-C8-V2PEG-0-124-3 / H2	55-00020
	5m	SAL-C8-V2PEG-0-124-5 / H2	55-00021
	10m	SAL-C8-V2PEG-0-124-10 / H2	55-00041
TPU UL black Li9Y11Y 0,75 mm <sup>2</sup>	2m	SAL-C8-V2PEG-0-124-2 / K1 / 075	55-00226
	3m	SAL-C8-V2PEG-0-124-3 / K1 / 075	55-00227
	5m	SAL-C8-V2PEG-0-124-5 / K1 / 075	55-00228
	10m	SAL-C8-V2PEG-0-124-10 / K1 / 075	55-00229

For custom length or quality levels contact factory

# VALVEPLUGS CONFIGURATION C, WITH OVERMOULDED CABLE

2-pos+ground, ground jumpered, without protection circuit, contact distance 9,4mm



RoHS compliant

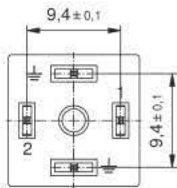
## TECHNICAL DATA

Rated voltage	2-pos+ground 230 AC / DC
Current rating	4A at +40°C
Pollution degree	3
Insulation resistance	>= 100 MΩ
Degree of protection	IP67 in mated condition
Temperature range	-25°C to +80°C
Mating cycles	> 50

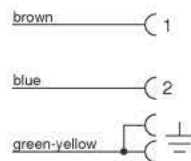
## PRODUCT DRAWING

### Pin Configuration

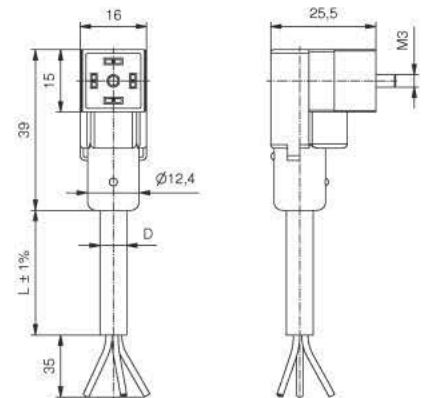
2-pos+ground



### Contact Assignment



### Dimension

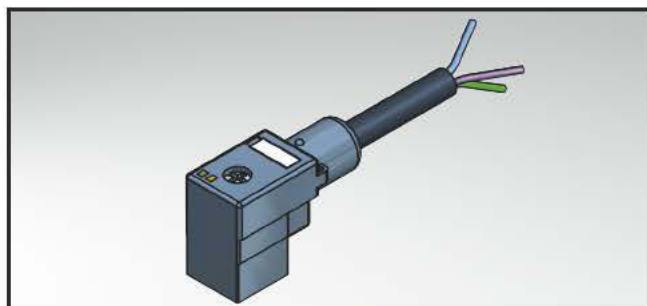


## ORDER DATA

Cable	Length / L	Description	2-pos+ground Part-no.
PVC black LiYY 0,5 mm <sup>2</sup>	2m	SAL-C9-V2PEG-0-0220-2 / A2	55-00235
	3m	SAL-C9-V2PEG-0-0220-3 / A2	55-00236
	5m	SAL-C9-V2PEG-0-0220-5 / A2	55-00237
	10m	SAL-C9-V2PEG-0-0220-10 / A2	55-00238
PVC UL grey LiYY 0,75 mm <sup>2</sup>	2m	SAL-C9-V2PEG-0-0220-2 / A3 / 075	55-00248
	3m	SAL-C9-V2PEG-0-0220-3 / A3 / 075	55-00249
	5m	SAL-C9-V2PEG-0-0220-5 / A3 / 075	55-00250
	10m	SAL-C9-V2PEG-0-0220-10 / A3 / 075	55-00251
PUR/PVC black LiYY11Y 0,5 mm <sup>2</sup>	2m	SAL-C9-V2PEG-0-0220-2 / H2	55-00234
	3m	SAL-C9-V2PEG-0-0220-3 / H2	55-00024
	5m	SAL-C9-V2PEG-0-0220-5 / H2	55-00025
	10m	SAL-C9-V2PEG-0-0220-10 / H2	55-00046
TPU UL black Li9Y11Y 0,75 mm <sup>2</sup>	2m	SAL-C9-V2PEG-0-0220-2 / K1 / 075	55-00244
	3m	SAL-C9-V2PEG-0-0220-3 / K1 / 075	55-00245
	5m	SAL-C9-V2PEG-0-0220-5 / K1 / 075	55-00246
	10m	SAL-C9-V2PEG-0-0220-10 / K1 / 075	55-00247

# VALVEPLUGS CONFIGURATION C, WITH OVERMOULDED CABLE

2-pos+ground, ground jumpered, with protection circuit, contact distance 9,4mm



RoHS compliant

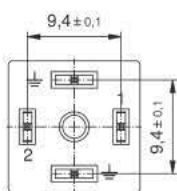
## TECHNICAL DATA

Rated voltage	2-pos+ground 24 AC / DC
Current rating	4A at +40°C
Pollution degree	3
Insulation resistance	>= 100 MΩ
Degree of protection	IP67 in mated condition
Temperature range	-25°C to +80°C
Mating cycles	> 50

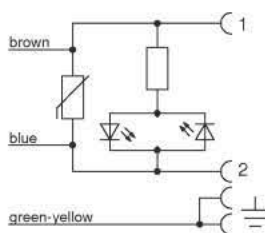
## PRODUCT DRAWING

### Pin Configuration

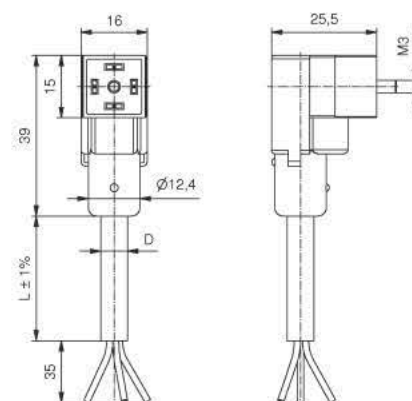
2-pos+ground



### Contact Assignment



### Dimension



## ORDER DATA

Cable	Length / L	Description	2-pos+ground Part-no.
PVC black LiYY 0,5 mm <sup>2</sup>	2m	SAL-C9-V2PEG-0-124-2 / A2	55-00240
	3m	SAL-C9-V2PEG-0-124-3 / A2	55-00241
	5m	SAL-C9-V2PEG-0-124-5 / A2	55-00242
	10m	SAL-C9-V2PEG-0-124-10 / A2	55-00243
PVC UL grey LiYY 0,75 mm <sup>2</sup>	2m	SAL-C9-V2PEG-0-124-2 / A3 / 075	55-00256
	3m	SAL-C9-V2PEG-0-124-3 / A3 / 075	55-00257
	5m	SAL-C9-V2PEG-0-124-5 / A3 / 075	55-00258
	10m	SAL-C9-V2PEG-0-124-10 / A3 / 075	55-00259
PUR/PVC black LiYY11Y 0,5 mm <sup>2</sup>	2m	SAL-C9-V2PEG-0-124-2 / H2	55-00239
	3m	SAL-C9-V2PEG-0-124-3 / H2	55-00028
	5m	SAL-C9-V2PEG-0-124-5 / H2	55-00029
	10m	SAL-C9-V2PEG-0-124-10 / H2	55-00042
TPU UL black Li9Y11Y 0,75 mm <sup>2</sup>	2m	SAL-C9-V2PEG-0-124-2 / K1 / 075	55-00252
	3m	SAL-C9-V2PEG-0-124-3 / K1 / 075	55-00253
	5m	SAL-C9-V2PEG-0-124-5 / K1 / 075	55-00254
	10m	SAL-C9-V2PEG-0-124-10 / K1 / 075	55-00255

SECTION 9

# ACCESSORIES



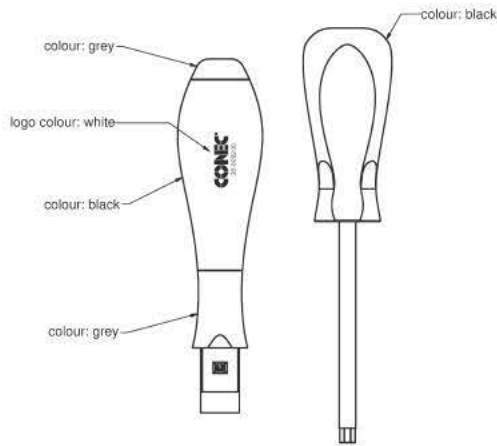


# TORQUE WRENCH

## Torque wrench set



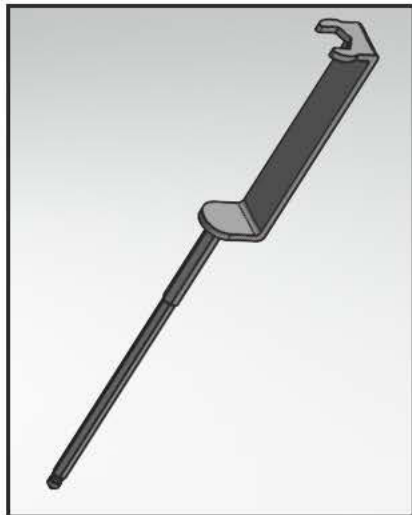
PRODUCT DRAWING



DESCRIPTION

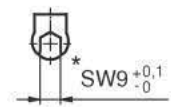
Part number	36-000200
Torque	0,5-1,7 Nm

## Plug insert torque wrench

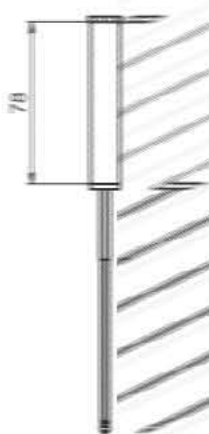


PRODUCT DRAWING

Plan view



View Plug insert

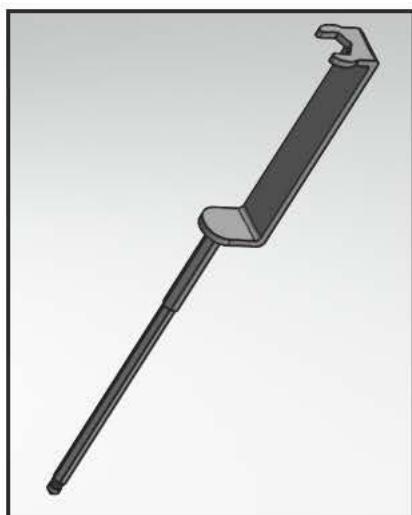


\*wrench size

DESCRIPTION

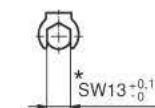
Part number	36-000210
Size	9
Type	M8x1
Configuration	overmoulded

## Plug insert torque wrench



PRODUCT DRAWING

Plan view



View Plug insert



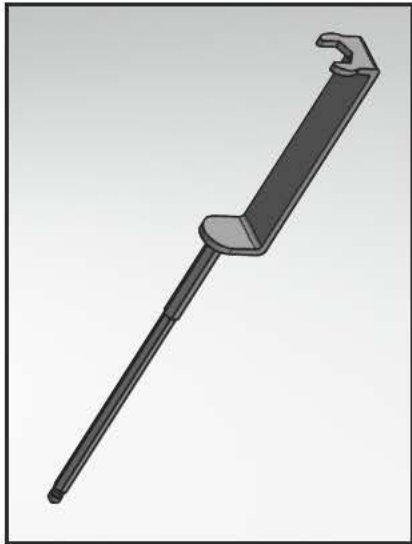
\*wrench size

DESCRIPTION

Part number	36-000220
Size	13
Type	M12x1
Configuration	overmoulded

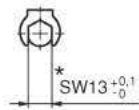
# TORQUE WRENCH

## Plug insert torque wrench



PRODUCT DRAWING

Plan view



\*wrench size

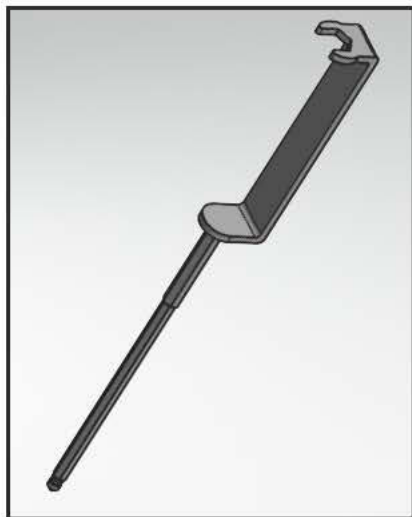
View Plug insert



DESCRIPTION

Part number	36-000220
Size	13
Type	M8x1
Configuration	field attachable

## Plug insert torque wrench



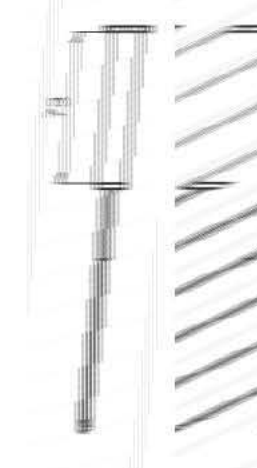
PRODUCT DRAWING

Plan view



\*wrench size

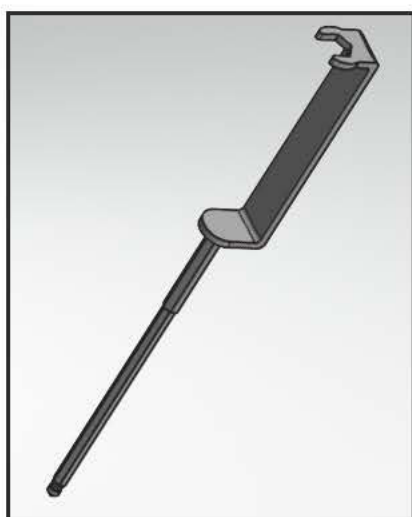
View Plug insert



DESCRIPTION

Part number	36-000230
Size	17
Type	M12x1
Configuration	Sockets Frontmounting

## Plug insert torque wrench



PRODUCT DRAWING

Plan view



\*wrench size

View Plug insert

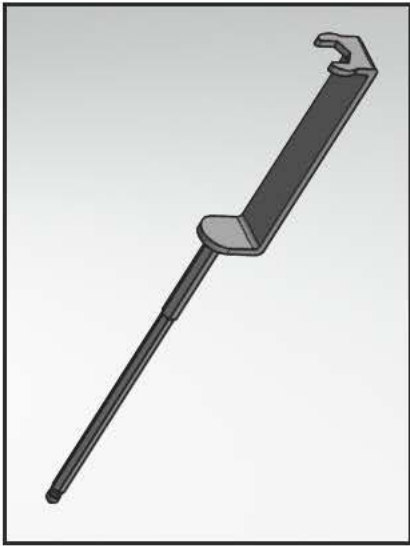


DESCRIPTION

Part number	36-000240
Size	18
Type	M12x1
Configuration	field attachable

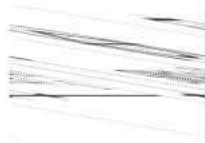
# TORQUE WRENCH

## Plug insert torque wrench

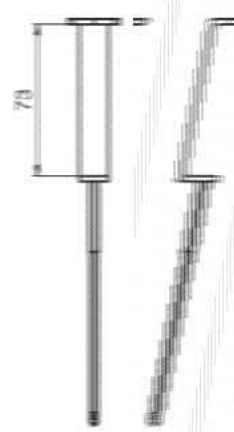


PRODUCT DRAWING

Plan view



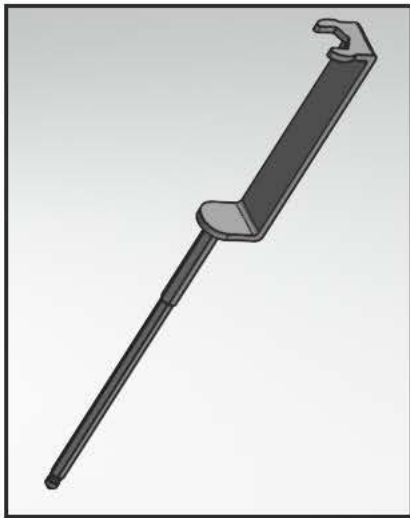
View Plug insert



DESCRIPTION

Part number	36-000250
Size	19
Type	M12x1
Configuration	Sockets Backmounting

## Plug insert torque wrench

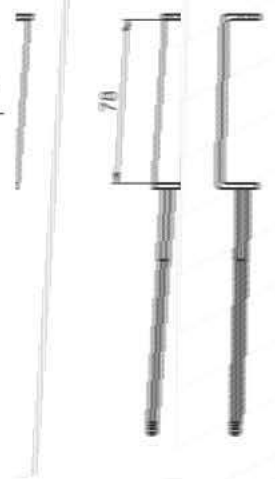


PRODUCT DRAWING

Plan view



View Plug insert

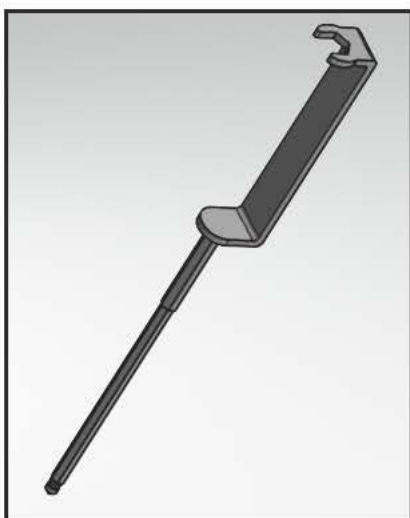


\*wrench size

DESCRIPTION

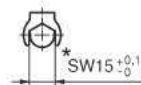
Part number	36-000270
Size	10
Type	M8x1
Configuration	Sockets Frontmounting

## Plug insert torque wrench

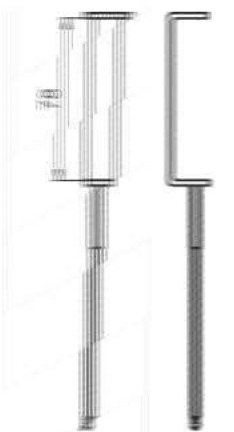


PRODUCT DRAWING

Plan view



View Plug insert



\*wrench size

DESCRIPTION

Part number	36-000320
Size	15
Type	M12x1
Configuration	Sockets x10 + x5,5

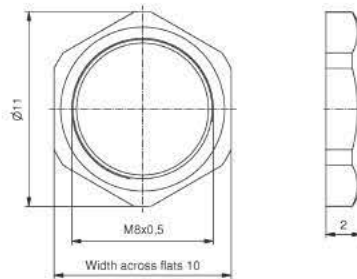
# HEX NUT

Hex nut M8x0,5



**PRODUCT DRAWING**

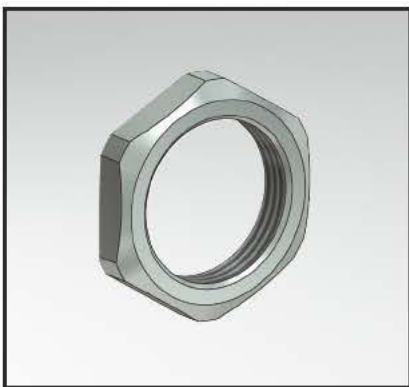
Dimension



**DESCRIPTION**

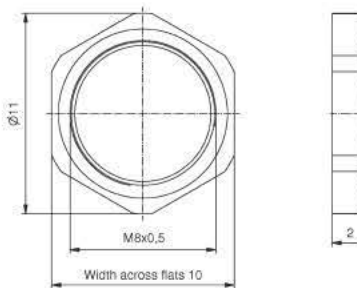
Part number	42-01046
Type	M8x1
Material	CuZn
Plating	Nickel-plated

Hex nut M8x0,5 – Food+Beverage



**PRODUCT DRAWING**

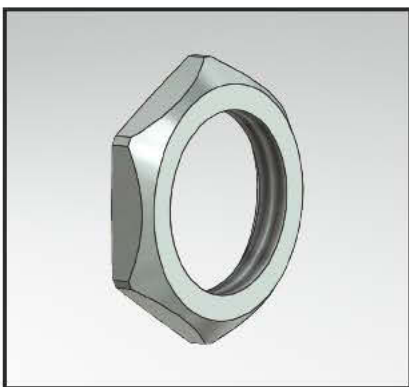
Dimension



**DESCRIPTION**

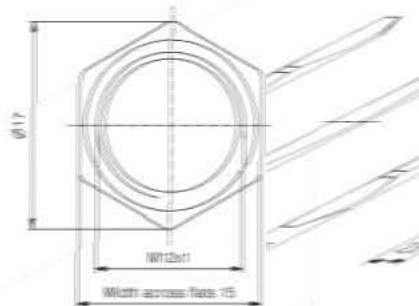
Part number	42-01082
Type	M8x1
Material	Stainless steel

Hex nut M12x1



**PRODUCT DRAWING**

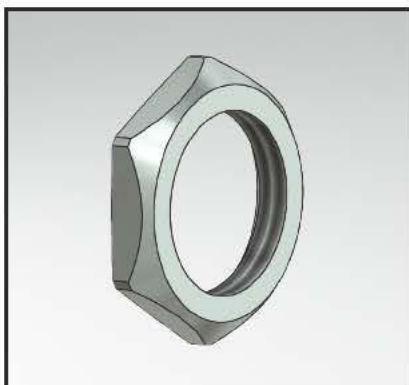
Dimension



**DESCRIPTION**

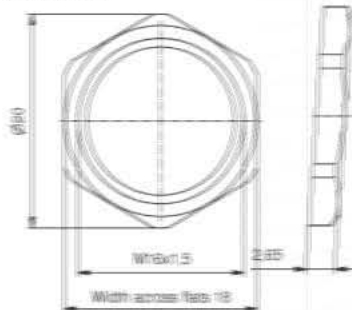
Part number	43-01716
Type	M12x1
Material	CuZn
Plating	Nickel-plated

Hex nut M16x1,5



**PRODUCT DRAWING**

Dimension

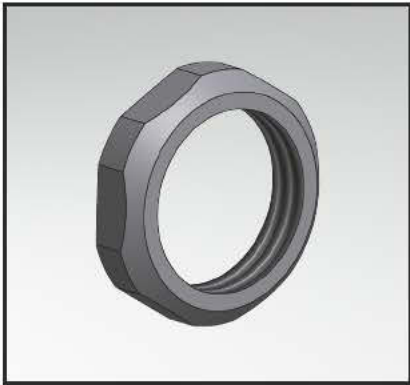


**DESCRIPTION**

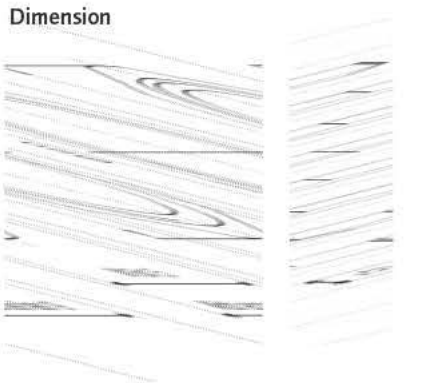
Part number	43-01155
Type	M12x1
Material	CuZn
Plating	Nickel-plated

# HEX NUT

## Hex nut M16x1,5 – Food+Beverage



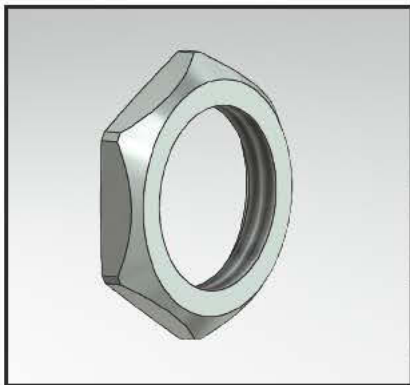
PRODUCT DRAWING \_\_\_\_\_



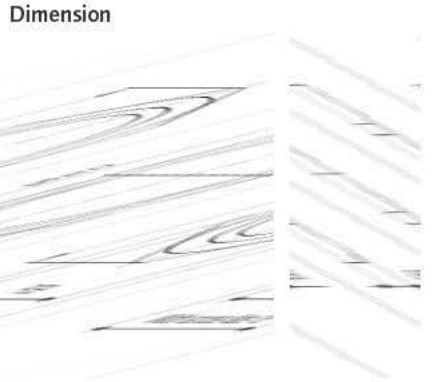
DESCRIPTION \_\_\_\_\_

Part number	43-12100
Type	M12x1
Material	Stainless steel

## Hex nut PG9



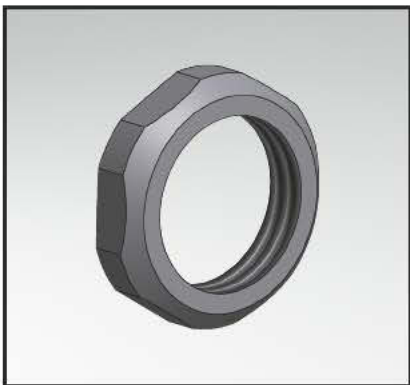
PRODUCT DRAWING \_\_\_\_\_



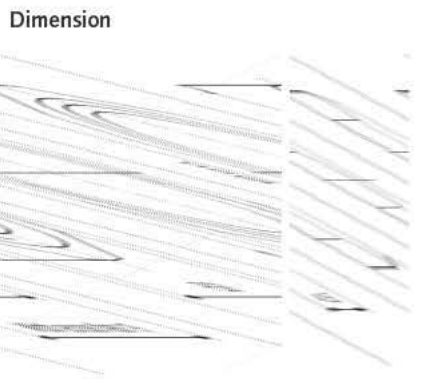
DESCRIPTION \_\_\_\_\_

Part number	43-01156
Type	M12x1
Material	CuZn
Plating	Nickel-plated

## Hex nut PG9 – Food+Beverage



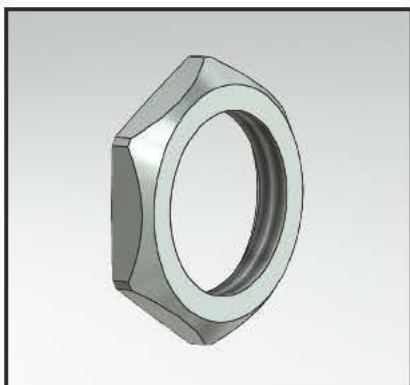
PRODUCT DRAWING \_\_\_\_\_



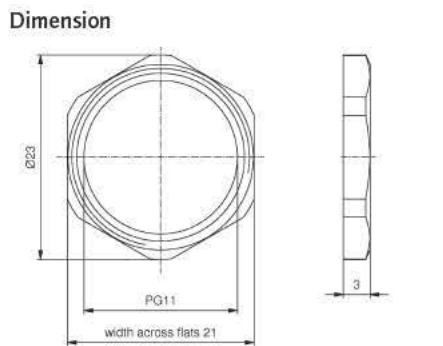
DESCRIPTION \_\_\_\_\_

Part number	43-12101
Type	M12x1
Material	Stainless steel

## Hex nut PG11



PRODUCT DRAWING \_\_\_\_\_

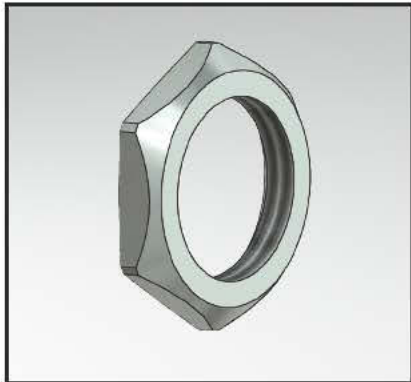


DESCRIPTION \_\_\_\_\_

Part number	41-40036
Type	7/8"
Material	CuZn
Plating	Nickel-plated

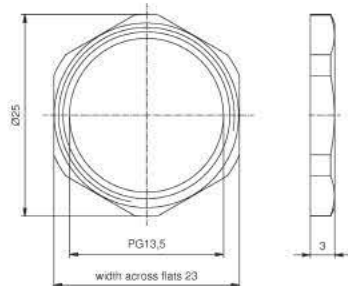
# HEX NUT

Hex nut PG13,5



**PRODUCT DRAWING**

**Dimension**



**DESCRIPTION**

Part number	41-40029
Type	7/8"
Material	CuZn
Plating	Nickel-plated

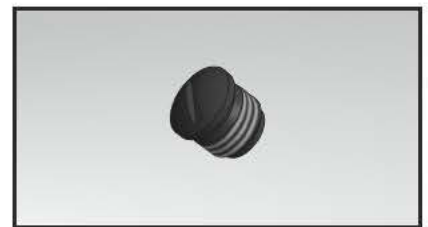
# SAL PROTECTION CAP

M12x1 Male connector yellow

M12x1 Female connector black

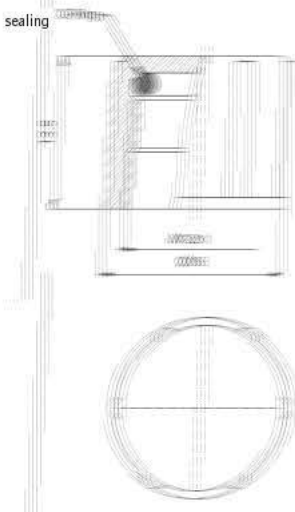
M8x1 Female connector black

M12x1 Female connector white

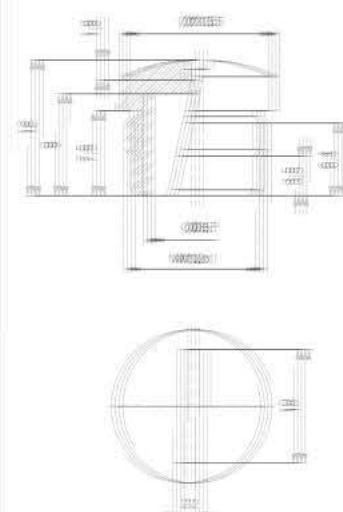


**PRODUCT DRAWING**

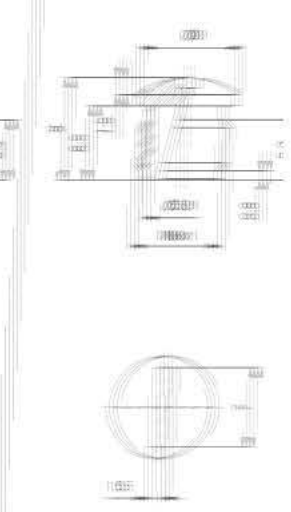
**Dimension**



**Dimension**



**Dimension**



**ORDER DATA**

Type	Description	Part-Nr.
M12x1	Protection cap M12x1 Male connector yellow	43-11359
M12x1	Protection cap M12x1 Female connector black	43-11357
M12x1	Protection cap M12x1 Female connector white	43-11358
M8x1	Protection cap M8x1 Female connector black	42-10129

## SAL M12x1 CABLE

Wire quantity	A1 PVC grey	Wire colour	Part number cable data sheet
3-wire	3 x 0.34mm <sup>2</sup>	bn - bu - bk	781-A13300
3-wire	3 x 0.34mm <sup>2</sup>	bn - bu - gn/ye	781-A1330G
4-wire	4 x 0.34mm <sup>2</sup>	bn - wh - bu - bk	781-A13400
4-wire	4 x 0.34mm <sup>2</sup>	bn - bk - bu - gn/ye	781-A1340G
5-wire	5 x 0.34mm <sup>2</sup>	bn - wh - bu - bk - gn/ye	781-A13500
5-wire	5 x 0.34mm <sup>2</sup>	bn - wh - bu - bk - gy	781-A1350G
6-wire	6 x 0.25mm <sup>2</sup>	bn - wh - bu - bk - gy - pk	781-A12600
8-wire	8 x 0.25mm <sup>2</sup>	bn - wh - bu - rd - gy - pk - gn - ye	781-A12800

Wire quantity	A3 PVC UL grey	Wire colour	Part number cable data sheet
12-wire	12 x 0.14mm <sup>2</sup>	bn - bu - wh - gn - pk - ye - bk - gy - rd - vt - gy/pk - rd/bu	781-A31120

Wire quantity	G2 TPU UL black	Wire colour	Part number cable data sheet
4-wire	4 x 0.34mm <sup>2</sup>	bn - wh - bu - bk	781-G23400
5-wire	5 x 0.25mm <sup>2</sup>	bn - wh - bu - bk - gy	781-G22500
8-wire	8 x 0.25mm <sup>2</sup>	bn - wh - bu - rd - gy - pk - gn - ye	781-G22800
12-wire	12 x 0.14mm <sup>2</sup>	bn - bu - wh - gn - pk - ye - bk - gy - rd - vt - gy/pk - rd/bu	781-G21120

Wire quantity	G3 PVC UL grey	Wire colour	Part number cable data sheet
4-wire	4 x 0.34mm <sup>2</sup>	bn - wh - bu - bk	781-G33400
5-wire	5 x 0.25mm <sup>2</sup>	bn - wh - bu - bk - gy	781-G32500
8-wire	8 x 0.25mm <sup>2</sup>	bn - wh - bu - rd - gy - pk - gn - ye	781-G32800
12-wire	12 x 0.14mm <sup>2</sup>	bn - bu - wh - gn - pk - ye - bk - gy - rd - vt - gy/pk - rd/bu	781-G31120

Wire quantity	J1 UL orange	Wire colour	Part number cable data sheet
3-wire	3 x 0.34mm <sup>2</sup>	bn - bu - bk	781-J13300
4-wire	4 x 0.34mm <sup>2</sup>	bn - wh - bu - bk	781-J13400
5-wire	5 x 0.34mm <sup>2</sup>	bn - wh - bu - bk - gn/ye	781-J13500

Wire quantity	K1 TPU UL black	Wire colour	Part number cable data sheet
3-wire	3 x 0.34mm <sup>2</sup>	bn - bu - bk	781-K13300
3-wire	3 x 0.34mm <sup>2</sup>	bn - bu - gn/ye	781-K1330G
4-wire	4 x 0.34mm <sup>2</sup>	bn - wh - bu - bk	781-K13400
4-wire	4 x 0.34mm <sup>2</sup>	bn - bk - bu - gn/ye	781-K1340G
5-wire	5 x 0.34mm <sup>2</sup>	bn - wh - bu - bk - gn/ye	781-K13500
5-wire	5 x 0.34mm <sup>2</sup>	bn - wh - bu - bk - gy	781-K1350G
6-wire	6 x 0.25mm <sup>2</sup>	bn - wh - bu - bk - gy - pk	781-K12600
8-wire	8 x 0.25mm <sup>2</sup>	bn - wh - bu - rd - gy - pk - gn - ye	781-K12800
12-wire	12 x 0.14mm <sup>2</sup>	bn - bu - wh - gn - pk - ye - bk - gy - rd - vt - gy/pk - rd/bu	781-K11120

Wire quantity	P1 orange	Wire colour	Part number cable data sheet
4-wire	4 x 0.34mm <sup>2</sup>	bn - wh - bu - bk	781-P13400
5-wire	5 x 0.34mm <sup>2</sup>	bn - wh - bu - bk - gn/ye	781-P13500

Wire quantity	S1 black	Wire colour	Part number cable data sheet
4-wire	4 x 0.34mm <sup>2</sup>	bn - wh - bu - bk	781-S13400
5-wire	5 x 0.34mm <sup>2</sup>	bn - wh - bu - bk - gn/ye	781-S13500

## SAL M8x1 CABLE

Wire quantity	A1 PVC grey	Wire colour	Part number cable data sheet
3-wire	3 x 0.25mm <sup>2</sup>	bn - bu - bk	781-A12300
4-wire	4 x 0.25mm <sup>2</sup>	bn - wh - bu - bk	781-A12400
5-wire	5 x 0.25mm <sup>2</sup>	bn - wh - bu - bk - gy	781-A12500
8-wire	8 x 0.14mm <sup>2</sup>	bn - wh - bu - rd - gy - pk - gn - ye	781-A11800

Wire quantity	K1 TPU UL black	Wire colour	Part number cable data sheet
3-wire	3 x 0.25mm <sup>2</sup>	bn - bu - bk	781-K12300
4-wire	4 x 0.25mm <sup>2</sup>	bn - wh - bu - bk	781-K12400
5-wire	5 x 0.25mm <sup>2</sup>	bn - wh - bu - bk - gy	781-K12500
8-wire	8 x 0.14mm <sup>2</sup>	bn - wh - bu - rd - gy - pk - gn - ye	781-K11800

Wire quantity	G2 TPU UL black	Wire colour	Part number cable data sheet
3-wire	3 x 0.25mm <sup>2</sup>	bn - bu - bk	781-G22300
4-wire	4 x 0.25mm <sup>2</sup>	bn - wh - bu - bk	781-G22400

Wire quantity	G3 PVC UL grey	Wire colour	Part number cable data sheet
3-wire	3 x 0.25mm <sup>2</sup>	bn - bu - bk	781-G32300
4-wire	4 x 0.25mm <sup>2</sup>	bn - wh - bu - bk	781-G32400

Wire quantity	P1 orange	Wire colour	Part number cable data sheet
3-wire	3 x 0.25mm <sup>2</sup>	bn - bu - bk	781-P12400
4-wire	4 x 0.25mm <sup>2</sup>	bn - wh - bu - bk	781-P12500

## SAL 7/8" CABLE

Wire quantity	A3 PVC UL grey	Wire colour	Part number cable data sheet
3-wire	3 x 0.75mm <sup>2</sup>	bn - bu -gn/ye	781-A37300
4-wire	4 x 0.75mm <sup>2</sup>	bn - wh - bu - bk	781-A37400
5-wire	5 x 0.75mm <sup>2</sup>	bn - wh - bu - bk - gn/ye	781-A37500

Wire quantity	A6 PVC UL grey	Wire colour	Part number cable data sheet
3-wire	3 x 0.75mm <sup>2</sup>	bn - bu -gn/ye	781-A67300

Wire quantity	A3 PVC UL grey	Wire colour	Part number cable data sheet
3-wire	3 x 1.50mm <sup>2</sup>	bn - bu -gn/ye	781-A38300
4-wire	4 x 1.50mm <sup>2</sup>	bn - wh - bu - bk	781-A38400
5-wire	5 x 1.50mm <sup>2</sup>	bn - wh - bu - bk - gn/ye	781-A38500

Wire quantity	A6 PVC UL grey	Wire colour	Part number cable data sheet
3-wire	3 x 1.5mm <sup>2</sup>	bn - bu -gn/ye	781-A68300

Wire quantity	K1 TPU UL black	Wire colour	Part number cable data sheet
3-wire	3 x 0.75mm <sup>2</sup>	bn - bu -gn/ye	781-K17300
4-wire	4 x 0.75mm <sup>2</sup>	bn - wh - bu - bk	781-K17400
5-wire	5 x 0.75mm <sup>2</sup>	bn - wh - bu - bk - gn/ye	781-K17500

## SAL 7/8" CABLE

Wire quantity	K0 TPU UL black	Wire colour	Part number cable data sheet
3-wire	3 x 0.75mm <sup>2</sup>	bn - bu -gn/ye	781-K07300
Wire quantity	K1 TPU UL black	Wire colour	Part number cable data sheet
4-wire	4 x 1.50mm <sup>2</sup>	bn - wh - bu - bk	781-K18400
5-wire	5 x 1.50mm <sup>2</sup>	bn - wh - bu - bk - gn/ye	781-K18500
Wire quantity	K0 TPU UL black	Wire colour	Part number cable data sheet
3-wire	3 x 1.5mm <sup>2</sup>	bn - bu -gn/ye	781-K08300
Wire quantity	GC PVC UL grey	Wire colour	Part number cable data sheet
4-wire	2 x AWG15 + 2 x AWG18	rd - bk - wh - bu	781-GC003H

## SAL RUND 24 CABLE

Wire quantity	A3 PVC UL grey	Wire colour	Part number cable data sheet
4-wire	4 x 1.50mm <sup>2</sup>	bn - bu - bk - gy/ye	781-A38400

## SAL CABLE FOR PROFIBUS APPLICATIONS

Wire quantity	G4 TPU UL violet	Wire colour	Part number cable data sheet
2-wire	2 AWG 22	rd - gn	781-G43200
Wire quantity	G5 PVC UL violet	Wire colour	Part number cable data sheet
2-wire	2 AWG 22	rd - gn	781-G53200
Wire quantity	G7 TPU UL violet	Wire colour	Part number cable data sheet
2-wire	2 AWG 24	rd - gn	781-G70200

## SAL CABLE FOR INDUSTRIAL ETHERNET APPLICATIONS

Wire quantity	G6 TPU UL green	Wire colour	Part number cable data sheet
4-wire	2x2 AWG 22	ye - wh - og - bu	781-G63400

## SAL CABLE FOR JUNCTION BOXES

Wire quantity	K3 TPU UL black	Wire colour	Part number cable data sheet
4-fach	3 x 1.0mm <sup>2</sup> + 8 x 0.34mm <sup>2</sup>	bu - bn - wh - gn - ye - gy - bn/gn - wh/gn - rd/bu - gy/pk - gn/ye	n.a.
8-fach	3 x 1.0mm <sup>2</sup> + 16 x 0.34mm <sup>2</sup>	bu - bn - wh - gn - ye - gy - pk - rd - bk - vt - gy/bn - wh/bn - ye/bn - wh/ye - bn/gn - wh/gn - rd/bu - gy/pk - gn/ye	n.a.
4-fach 3-wire	2 x 0.75mm <sup>2</sup> + 4 x 0.34mm <sup>2</sup>	bu - bn - wh - gn - ye - gy	n.a.
4-fach 4-wire	2 x 0.75mm <sup>2</sup> + 8 x 0.34mm <sup>2</sup>	bu - bn - wh - gn - ye - gy - gy/pk - rd/bu - wh/gn - bn/gn	n.a.
8-fach 3-wire	2 x 0.75mm <sup>2</sup> + 8 x 0.34mm <sup>2</sup>	bu - bn - wh - gn - ye - gy - pk - rd - bk - vt	n.a.
8-fach 4-wire	2 x 0.75mm <sup>2</sup> + 16 x 0.34mm <sup>2</sup>	bu - bn - wh - gn - ye - gy - pk - rd - bk - vt - gy/pk - rd/bu - wh/gn - bn/gn - wh/ye - ye/bn - wh/gy - gy/bn	n.a.

## SAL CABLE FOR JUNCTION BOXES FODD+BEVERAGE

Wire quantity	A2 PVC black	Wire colour	Part number cable data sheet
4-fach	3x1.0mm <sup>2</sup> + 8 x 0.34mm <sup>2</sup>	bu - bn - wh - gn - ye - gy - bn/gn - wh/gn - rd/bu - gy/pk - gn/ye	n.a.
8-fach	3x1.0mm <sup>2</sup> + 16 x 0.34mm <sup>2</sup>	bu - bn - wh - gn - ye - gy - pk - rd - bk - vt - gy/bn - wh/bn - ye/bn - wh/ye - bn/gn - wh/gn - rd/bu - gy/pk - gn/ye	n.a.

## SAL CABLE FOR DEVICENET APPLICATIONS

Wire quantity	GC PVC UL grey	Wire colour	Part number cable data sheet
4-wire	2 x AWG22 + 2 x AWG24	rd - bk - wh - bu	781-GC001H

Wire quantity	GJ TPU UL violet	Wire colour	Part number cable data sheet
4-wire	2 x AWG22 + 2 x AWG24	rd - bk - wh - bu	781-GJ0400

## SAL CABLE FOR CAN BUS APPLICATIONS

Wire quantity	GU PVC violet	Wire colour	Part number cable data sheet
4-wire	2 x 2 AWG24/7	bn - wh - gn - ye	781-GU2400

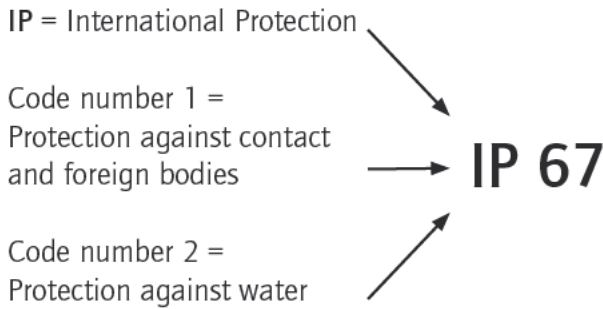
Wire quantity	A1 PVC grey	Wire colour	Part number cable data sheet
4-wire	4 x 0.25mm <sup>2</sup>	bn - wh - bu - bk	781-A12400

Wire quantity	GJ TPU UL violet	Wire colour	Part number cable data sheet
4-wire	2 x AWG22 + 2 x AWG24	rd - bk - wh - bu	781-GJ0400

## SAL CABLE FOR VALVEPLUGS

Wire quantity		Wire colour	
2-wire+ground	A2 PVC black	br - bu - gn/ye	n.a.
2-wire+ground	H2 PVC/PUR black	br - bu - gn/ye	n.a.
2-wire+ground	A3 PVC UL grey	br - bu - gn/ye	n.a.
2-wire+ground	K1 TPU UL black	br - bu - gn/ye	n.a.

# DEGREE OF PROTECTION



Connectors have to be protected for safety reasons from outside influences like dust, foreign objects, direct contact, moisture and water. This protection is provided on industrial connectors by its housings with their latching devices and sealed cable entries. The degree of protection can be selected depending on the type of intended use. The degree of protection is indicated by a material code which consists of constant key numbers IP (International Protection) and two subsequent code numbers. The first code number specifies the degree of protection against contact and foreign bodies. The second code number specifies the degree of protection against damaging intrusion of water.

## INDEX NUMBER-DEFINITION

Code number 1	Definition	Explanation
0	Non-protected	
1	Protected against access to hazardous parts with the back of a hand. Protected against solid foreign objects of $\varnothing \geq 50\text{mm}$	
2	Protected against access to hazardous parts with a finger. Protected against solid foreign objects of $\varnothing \geq 12,5\text{mm}$	
3	Protected against access to hazardous parts with a tool. Protected against solid foreign objects of $\varnothing \geq 2,5\text{mm}$	
4	Protected against access to hazardous parts with a wire. Protected against solid foreign objects of $\varnothing \geq 1\text{mm}$	
5	Protected against access to hazardous parts with a wire. Dust protected.	Intrusion of dust is not totally prevented, but dust shall not penetrate in a quantity to interfere with satisfactory operation of the device or to impair safety.
6	Protected against access to hazardous parts with a wire. Dust-tight.	

Code number 2	Definition	Explanation
0	Non-protected	
1	Protected against water drops.	
2	Protected against water drops when enclosure tilted up to 15°.	
3	Protected against spraying water	Water sprayed of an angle up to 60° on either side of the vertical shall have no harmful effects.
4	Protected against splashing water	Water splashed against the disclosure from any direction shall have no harmful effects.
5	Protected against water jets	
6	Protected against powerful water jets	
7	Protected against the effects of temporary immersion in water	Intrusion of water in quantities causing harmful effects shall not be possible when the enclosure is temporarily immersed in water for 30 min. in 1m depth.
8	Protected against the effects of temporary immersion in water	Intrusion of water in quantities causing harmful effects shall not be possible when the enclosure is continuously immersed in water under conditions which shall be agreed between manufacturer and user but which are more severe than for numeral 7.
9	Protected against water during high pressure/steam cleaning	

## AMERICAN WIRE GAUGES

Since various areas of the industry are also using wires according to the American Wire Gauge (AWG). The following comparison chart is included to allow a cross reference between AWG and metric wire sizes (mm<sup>2</sup>).

### INDEX NUMBER-DEFINITION

AWG	Wire structure (mm)	Wire-Ø (mm)	Wire cross section (mm <sup>2</sup> )
30	1 x 0,25	0,25	0,05
	7 x 0,10	0,36	0,06
28	1 x 0,32	0,32	0,08
	7 x 0,13	0,38	0,09
26	1 x 0,40	0,40	0,13
	7 x 0,16	0,48	0,14
	19 x 0,10	0,51	0,15
24	1 x 0,51	0,51	0,21
	7 x 0,20	0,61	0,22
	19 x 0,13	0,64	0,25
22	1 x 0,64	0,64	0,33
	7 x 0,25	0,76	0,34
	19 x 0,16	0,81	0,38
20	1 x 0,81	0,81	0,52
	7 x 0,32	0,97	0,56
	19 x 0,25	1,27	0,93
18	1 x 1,02	1,02	0,82
	19 x 0,25	1,27	0,93
16	19 x 0,29	1,44	1,25
14	19 x 0,36	1,80	1,93
12	19 x 0,46	2,29	3,16
10	37 x 0,40	3,10	4,65

# VOLTAGE GRADING OF CONNECTORS: DEGREE OF POLLUTION

There are four grades in which connectors are classified. This depends to the pollution which can be expected.

In the area of circular connectors its Grade 3 in the majority of cases.

## POLLUTION DEGREE-DEFINITION

Pollution degree	Definition
1	No pollution or only dry, non-conductive pollution occurs. The pollution has no influence.
2	Only non-conductive pollution occurs. Except that occasionally a temporary conductivity caused by condensation is to be expected.
3	Conductive pollution occurs or dry non-conductive pollution occurs which becomes conductive due to condensation which is to be expected.
4	The pollution generates persistent conductivity caused by conductive dust or by rain or snow.

## CODING OF M12x1 CONNECTORS



The coding of M12x1 circular connectors with a pin or a slot on the contact insert prevents identical connectors from being plugged into the wrong place.

# A WIDE RANGE OF CONNECTORS

## D-SUB STANDARD



## I/O CONNECTORS



## USB/RJ45



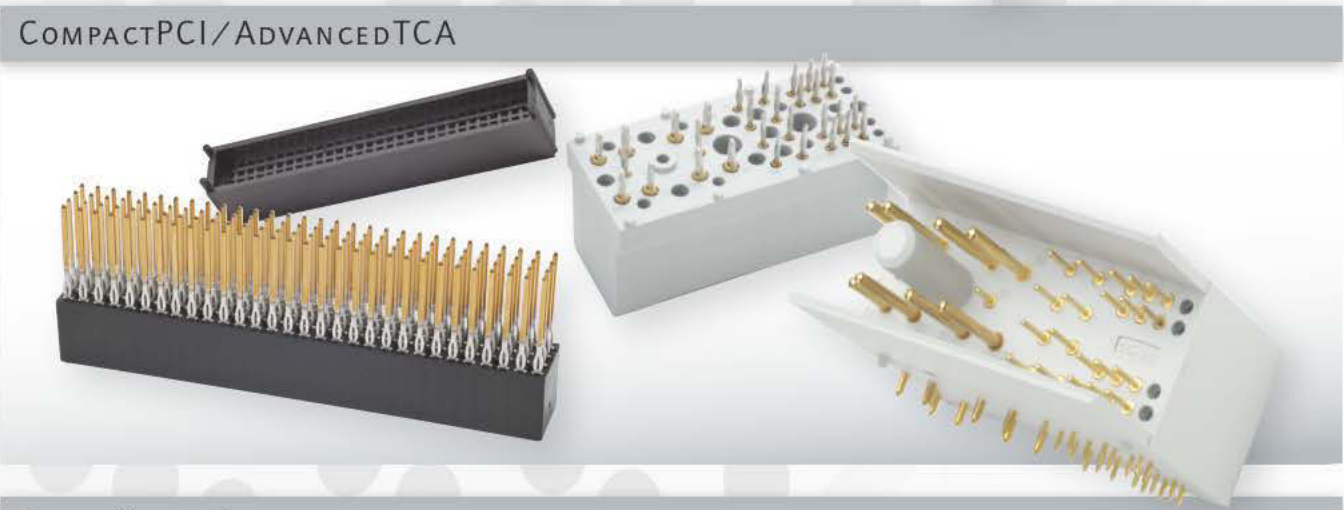
## FIBER OPTIC SYSTEM IP67



FILTER CONNECTORS



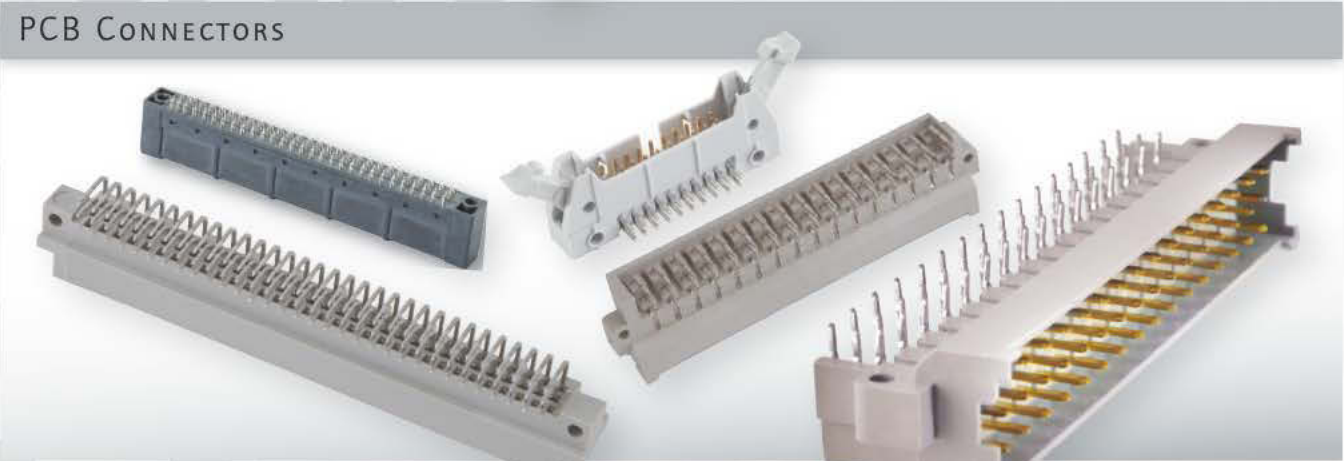
COMPACT PCI / ADVANCED TCA



FIBER OPTIC ADAPTERS



PCB CONNECTORS



SECTION 10

# PART NUMBERS

---



6658

66589



9B 75  
6 589B 76  
B 77



## PART NUMBERS

Part-no.	Page	Part-no.	Page	Part-no.	Page	Part-no.	Page
36-000200	9   1	41-01037	1   85	41-01089	1   91	41-01142	1   88
36-000210	9   1	41-01038	1   85	41-01090	1   91	41-01143	1   88
36-000220	9   1	41-01039	1   85	41-01091	1   91	41-01144	1   88
36-000220	9   2	41-01040	1   87	41-01092	1   91	41-01145	1   90
36-000230	9   2	41-01041	1   87	41-01093	1   91	41-01146	1   90
36-000240	9   2	41-01042	1   87	41-01094	1   91	41-01147	1   90
36-000250	9   3	41-01043	1   87	41-01095	1   91	41-01148	1   90
36-000270	9   3	41-01044	1   87	41-01097	1   86	41-01149	1   90
36-000320	9   3	41-01045	1   87	41-01098	1   86	41-01150	1   90
41-00001	2   34	41-01046	1   87	41-01099	1   86	41-01151	1   90
41-00002	2   34	41-01047	1   87	41-01100	1   86	41-01152	1   90
41-00003	2   34	41-01048	1   89	41-01101	1   86	41-01153	1   92
41-00004	2   35	41-01049	1   89	41-01102	1   86	41-01154	1   92
41-00005	2   35	41-01050	1   89	41-01103	1   86	41-01155	1   92
41-00006	2   35	41-01051	1   89	41-01104	1   86	41-01156	1   92
41-01000	1   85	41-01052	1   89	41-01105	1   88	41-01157	1   92
41-01001	1   85	41-01053	1   89	41-01106	1   88	41-01158	1   92
41-01002	1   85	41-01054	1   89	41-01107	1   88	41-01159	1   92
41-01003	1   85	41-01055	1   89	41-01108	1   88	41-01160	1   92
41-01004	1   85	41-01056	1   91	41-01109	1   88	41-01161	1   86
41-01005	1   85	41-01057	1   91	41-01110	1   88	41-01162	1   86
41-01006	1   85	41-01058	1   91	41-01111	1   88	41-01163	1   86
41-01007	1   85	41-01059	1   91	41-01112	1   88	41-01164	1   86
41-01008	1   87	41-01060	1   91	41-01113	1   90	41-01165	1   86
41-01009	1   87	41-01061	1   91	41-01114	1   90	41-01166	1   86
41-01010	1   87	41-01062	1   91	41-01115	1   90	41-01167	1   86
41-01011	1   87	41-01063	1   91	41-01116	1   90	41-01168	1   86
41-01012	1   87	41-01064	1   85	41-01117	1   90	41-01169	1   88
41-01013	1   87	41-01065	1   85	41-01118	1   90	41-01170	1   88
41-01014	1   87	41-01066	1   85	41-01119	1   90	41-01171	1   88
41-01015	1   87	41-01067	1   85	41-01120	1   90	41-01172	1   88
41-01016	1   89	41-01068	1   85	41-01121	1   92	41-01173	1   88
41-01017	1   89	41-01069	1   85	41-01122	1   92	41-01174	1   88
41-01018	1   89	41-01070	1   85	41-01123	1   92	41-01175	1   88
41-01019	1   89	41-01071	1   85	41-01124	1   92	41-01176	1   88
41-01020	1   89	41-01072	1   87	41-01125	1   92	41-01177	1   90
41-01021	1   89	41-01073	1   87	41-01126	1   92	41-01178	1   90
41-01022	1   89	41-01074	1   87	41-01127	1   92	41-01179	1   90
41-01023	1   89	41-01075	1   87	41-01128	1   92	41-01180	1   90
41-01024	1   91	41-01076	1   87	41-01129	1   86	41-01181	1   90
41-01025	1   91	41-01077	1   87	41-01130	1   86	41-01182	1   90
41-01026	1   91	41-01078	1   87	41-01131	1   86	41-01183	1   90
41-01027	1   91	41-01079	1   87	41-01132	1   86	41-01184	1   90
41-01028	1   91	41-01080	1   89	41-01133	1   86	41-01185	1   92
41-01029	1   91	41-01081	1   89	41-01134	1   86	41-01186	1   92
41-01030	1   91	41-01082	1   89	41-01135	1   86	41-01187	1   92
41-01031	1   91	41-01083	1   89	41-01136	1   86	41-01188	1   92
41-01032	1   85	41-01084	1   89	41-01137	1   88	41-01189	1   92
41-01033	1   85	41-01085	1   89	41-01138	1   88	41-01190	1   92
41-01034	1   85	41-01086	1   89	41-01139	1   88	41-01191	1   92
41-01035	1   85	41-01087	1   89	41-01140	1   88	41-01192	1   92
41-01036	1   85	41-01088	1   91	41-01141	1   88	41-01193	1   93

Part-no.	Page	Part-no.	Page	Part-no.	Page	Part-no.	Page
41-01194	1   93	41-01246	1   95	41-40003	3   76	41-51004	1   102
41-01195	1   93	41-01247	1   95	41-40004	3   76	41-51005	1   102
41-01196	1   93	41-01248	1   95	41-40005	3   76	41-51006	1   102
41-01197	1   93	41-01249	1   99	41-40006	3   64	41-51007	1   102
41-01198	1   93	41-01250	1   99	41-40007	3   64	41-51008	1   103
41-01199	1   93	41-01251	1   99	41-40008	3   64	41-51009	1   103
41-01200	1   93	41-01252	1   99	41-40009	3   69	41-51010	1   103
41-01201	1   97	41-01253	1   99	41-40010	3   69	41-51011	1   103
41-01202	1   97	41-01254	1   99	41-40011	3   69	41-51012	1   104
41-01203	1   97	41-01255	1   99	41-40012	3   77	41-51013	1   104
41-01204	1   97	41-01256	1   99	41-40013	3   77	41-51014	1   104
41-01205	1   97	41-01257	1   95	41-40014	3   77	41-51015	1   104
41-01206	1   97	41-01258	1   95	41-40015	3   68	41-90000	2   36
41-01207	1   97	41-01259	1   95	41-40016	3   68	41-90001	2   37
41-01208	1   97	41-01260	1   95	41-40017	3   68	41-90002	2   36
41-01209	1   93	41-01261	1   95	41-40018	3   73	41-90003	2   39
41-01210	1   93	41-01262	1   95	41-40019	3   73	41-90004	2   39
41-01211	1   93	41-01263	1   95	41-40020	3   73	41-90005	2   38
41-01212	1   93	41-01264	1   95	41-40021	3   72	41-90006	2   38
41-01213	1   93	41-01265	1   99	41-40022	3   72	42-00001	2   19
41-01214	1   93	41-01266	1   99	41-40023	3   72	42-00002	2   18
41-01215	1   93	41-01267	1   99	41-40024	3   67	42-00003	2   19
41-01216	1   93	41-01268	1   99	41-40025	3   67	42-00004	2   18
41-01217	1   97	41-01269	1   99	41-40026	3   67	42-00005	2   21
41-01218	1   97	41-01270	1   99	41-40029	9   6	42-00006	2   20
41-01219	1   97	41-01271	1   99	41-40030	3   66	42-00007	2   21
41-01220	1   97	41-01272	1   99	41-40031	3   66	42-00008	2   20
41-01221	1   97	41-01273	1   96	41-40032	3   66	42-00009	2   16
41-01222	1   97	41-01274	1   96	41-40033	3   71	42-00010	2   14
41-01223	1   97	41-01275	1   96	41-40034	3   71	42-00011	2   16
41-01224	1   97	41-01276	1   96	41-40035	3   71	42-00012	2   14
41-01225	1   94	41-01277	1   96	41-40036	9   5	42-00025	2   17
41-01226	1   94	41-01278	1   96	41-40039	3   70	42-00026	2   15
41-01227	1   94	41-01279	1   96	41-40040	3   70	42-00027	2   17
41-01228	1   94	41-01280	1   96	41-40041	3   70	42-00028	2   15
41-01229	1   94	41-01281	1   100	41-40042	3   75	42-01000	3   10
41-01230	1   94	41-01282	1   100	41-40043	3   75	42-01001	3   10
41-01231	1   94	41-01283	1   100	41-40044	3   75	42-01002	4   8
41-01232	1   94	41-01284	1   100	41-40045	3   74	42-01003	4   8
41-01233	1   98	41-01285	1   100	41-40046	3   74	42-01004	4   6
41-01234	1   98	41-01286	1   100	41-40047	3   74	42-01005	4   8
41-01235	1   98	41-01287	1   100	41-40048	3   78	42-01006	4   6
41-01236	1   98	41-01288	1   100	41-40049	3   78	42-01007	4   8
41-01237	1   98	41-01304	6   86	41-40050	3   78	42-01008	4   9
41-01238	1   98	41-01382	6   79	41-50000	2   40	42-01009	4   9
41-01239	1   98	41-01383	6   79	41-50001	2   40	42-01010	4   12
41-01240	1   98	41-01384	6   79	41-50002	2   41	42-01011	4   12
41-01241	1   95	41-30001	7   25	41-50003	2   41	42-01012	4   10
41-01242	1   95	41-30002	7   25	41-51000	1   101	42-01013	4   11
41-01243	1   95	41-40000	3   65	41-51001	1   101	42-01014	4   10
41-01244	1   95	41-40001	3   65	41-51002	1   101	42-01015	4   11
41-01245	1   95	41-40002	3   65	41-51003	1   101	42-01016	4   13

## PART NUMBERS

Part-no.	Page	Part-no.	Page	Part-no.	Page	Part-no.	Page
42-01017	4   13	42-10029	1   15	42-10081	1   19	42-10146	1   30
42-01018	5   32	42-10030	1   15	42-10082	1   19	42-10147	1   30
42-01019	5   32	42-10031	1   15	42-10083	1   19	42-10148	1   30
42-01032	3   11	42-10032	1   10	42-10084	1   19	42-10149	1   31
42-01033	3   11	42-10033	1   10	42-10085	1   19	42-10150	1   31
42-01034	3   13	42-10034	1   10	42-10086	1   19	42-10151	1   31
42-01035	3   13	42-10035	1   10	42-10087	1   19	42-10152	1   31
42-01038	4   14	42-10036	1   10	42-10088	1   20	42-10153	1   31
42-01046	9   4	42-10037	1   10	42-10089	1   20	42-10154	1   31
42-01052	6   71	42-10038	1   10	42-10090	1   20	42-10155	1   31
42-01069	3   12	42-10039	1   10	42-10091	1   20	42-10156	1   31
42-01070	3   10	42-10040	1   12	42-10092	1   20	42-10157	1   30
42-01082	9   4	42-10041	1   12	42-10093	1   20	42-10158	1   30
42-05000	7   31	42-10042	1   12	42-10094	1   20	42-10159	1   30
42-05001	7   31	42-10043	1   12	42-10095	1   20	42-10160	1   30
42-05002	7   33	42-10044	1   12	42-10096	1   16	42-10161	1   30
42-05003	7   33	42-10045	1   12	42-10097	1   16	42-10162	1   30
42-05006	7   30	42-10046	1   12	42-10098	1   16	42-10163	1   30
42-05007	7   30	42-10047	1   12	42-10099	1   16	42-10164	1   30
42-05008	7   32	42-10048	1   14	42-10100	1   16	42-10165	1   31
42-05009	7   32	42-10049	1   14	42-10101	1   16	42-10166	1   31
42-05010	7   28	42-10050	1   14	42-10102	1   16	42-10167	1   31
42-05011	7   29	42-10051	1   14	42-10103	1   16	42-10168	1   31
42-10000	1   10	42-10052	1   14	42-10104	1   18	42-10169	1   31
42-10001	1   10	42-10053	1   14	42-10105	1   18	42-10170	1   31
42-10002	1   10	42-10054	1   14	42-10106	1   18	42-10171	1   31
42-10003	1   10	42-10055	1   14	42-10107	1   18	42-10172	1   31
42-10004	1   10	42-10056	1   15	42-10108	1   18	42-10173	1   33
42-10005	1   10	42-10057	1   15	42-10109	1   18	42-10174	1   33
42-10006	1   10	42-10058	1   15	42-10110	1   18	42-10175	1   33
42-10007	1   10	42-10059	1   15	42-10111	1   18	42-10176	1   33
42-10008	1   12	42-10060	1   15	42-10112	1   19	42-10177	1   33
42-10009	1   12	42-10061	1   15	42-10113	1   19	42-10178	1   33
42-10010	1   12	42-10062	1   15	42-10114	1   19	42-10179	1   33
42-10011	1   12	42-10063	1   15	42-10115	1   19	42-10180	1   33
42-10012	1   12	42-10064	1   16	42-10116	1   19	42-10181	1   34
42-10013	1   12	42-10065	1   16	42-10117	1   19	42-10182	1   34
42-10014	1   12	42-10066	1   16	42-10118	1   19	42-10183	1   34
42-10015	1   12	42-10067	1   16	42-10119	1   19	42-10184	1   34
42-10016	1   14	42-10068	1   16	42-10120	1   20	42-10185	1   34
42-10017	1   14	42-10069	1   16	42-10121	1   20	42-10186	1   34
42-10018	1   14	42-10070	1   16	42-10122	1   20	42-10187	1   34
42-10019	1   14	42-10071	1   16	42-10123	1   20	42-10188	1   34
42-10020	1   14	42-10072	1   18	42-10124	1   20	42-10189	1   33
42-10021	1   14	42-10073	1   18	42-10125	1   20	42-10190	1   33
42-10022	1   14	42-10074	1   18	42-10126	1   20	42-10191	1   33
42-10023	1   14	42-10075	1   18	42-10127	1   20	42-10192	1   33
42-10024	1   15	42-10076	1   18	42-10141	1   30	42-10193	1   33
42-10025	1   15	42-10077	1   18	42-10142	1   30	42-10194	1   33
42-10026	1   15	42-10078	1   18	42-10143	1   30	42-10195	1   33
42-10027	1   15	42-10079	1   18	42-10144	1   30	42-10196	1   33
42-10028	1   15	42-10080	1   19	42-10145	1   30	42-10197	1   34

Part-no.	Page	Part-no.	Page	Part-no.	Page	Part-no.	Page
42-10198	1   34	42-10497	5   29	42-10836	1   35	42-10888	1   40
42-10199	1   34	42-10498	5   29	42-10837	1   35	42-10889	1   40
42-10200	1   34	42-10499	5   29	42-10838	1   35	42-10890	1   40
42-10201	1   34	42-10500	5   30	42-10839	1   35	42-11096	1   24
42-10202	1   34	42-10501	5   30	42-10840	1   35	42-11097	1   24
42-10203	1   34	42-10502	5   30	42-10841	1   35	42-11098	1   24
42-10204	1   34	42-10503	5   30	42-10842	1   35	42-11099	1   24
42-10452	1   21	42-10504	5   31	42-10843	1   28	42-11100	1   26
42-10453	1   21	42-10505	5   31	42-10844	1   28	42-11101	1   26
42-10454	1   21	42-10506	5   31	42-10845	1   28	42-11102	1   26
42-10455	1   21	42-10507	5   31	42-10846	1   28	42-11103	1   26
42-10456	1   21	42-10531	1   17	42-10847	1   28	42-11104	1   24
42-10457	1   21	42-10532	1   17	42-10848	1   28	42-11105	1   24
42-10458	1   21	42-10746	1   17	42-10849	1   28	42-11106	1   24
42-10459	1   21	42-10747	1   17	42-10850	1   28	42-11107	1   24
42-10460	1   22	42-10748	1   17	42-10851	1   28	42-11108	1   26
42-10461	1   22	42-10749	1   17	42-10852	1   28	42-11109	1   26
42-10462	1   22	42-10750	1   17	42-10853	1   28	42-11110	1   26
42-10463	1   22	42-10751	1   17	42-10854	1   28	42-11111	1   26
42-10464	1   22	42-10760	1   17	42-10855	1   28	42-11112	1   25
42-10465	1   22	42-10761	1   17	42-10856	1   28	42-11113	1   25
42-10466	1   22	42-10762	1   17	42-10857	1   28	42-11114	1   25
42-10467	1   22	42-10763	1   17	42-10858	1   28	42-11115	1   25
42-10468	5   26	42-10764	1   17	42-10859	1   29	42-11116	1   27
42-10469	5   26	42-10765	1   17	42-10860	1   29	42-11117	1   27
42-10470	5   26	42-10766	1   17	42-10861	1   29	42-11118	1   27
42-10471	5   26	42-10767	1   17	42-10862	1   29	42-11119	1   27
42-10472	5   26	42-10811	1   36	42-10863	1   29	42-11120	1   25
42-10473	5   26	42-10812	1   36	42-10864	1   29	42-11121	1   25
42-10474	5   26	42-10813	1   36	42-10865	1   29	42-11122	1   25
42-10475	5   26	42-10814	1   36	42-10866	1   29	42-11123	1   25
42-10476	5   27	42-10815	1   36	42-10867	1   29	42-11124	1   27
42-10477	5   27	42-10816	1   36	42-10868	1   29	42-11125	1   27
42-10478	5   27	42-10817	1   36	42-10869	1   29	42-11126	1   27
42-10479	5   27	42-10818	1   36	42-10870	1   29	42-11127	1   27
42-10480	5   27	42-10819	1   36	42-10871	1   29	42-11128	1   38
42-10481	5   27	42-10820	1   36	42-10872	1   29	42-11129	1   38
42-10482	5   27	42-10821	1   36	42-10873	1   29	42-11130	1   38
42-10483	5   27	42-10822	1   36	42-10874	1   29	42-11131	1   38
42-10484	5   28	42-10823	1   36	42-10875	1   40	42-11132	1   39
42-10485	5   28	42-10824	1   36	42-10876	1   40	42-11133	1   39
42-10486	5   28	42-10825	1   36	42-10877	1   40	42-11134	1   39
42-10487	5   28	42-10826	1   36	42-10878	1   40	42-11135	1   39
42-10488	5   28	42-10827	1   35	42-10879	1   40	42-11136	1   39
42-10489	5   28	42-10828	1   35	42-10880	1   40	42-11137	1   39
42-10490	5   28	42-10829	1   35	42-10881	1   40	42-11138	1   39
42-10491	5   28	42-10830	1   35	42-10882	1   40	42-11139	1   39
42-10492	5   29	42-10831	1   35	42-10883	1   40	42-11141	1   38
42-10493	5   29	42-10832	1   35	42-10884	1   40	42-11142	1   38
42-10494	5   29	42-10833	1   35	42-10885	1   40	42-11143	1   38
42-10495	5   29	42-10834	1   35	42-10886	1   40	42-11144	1   38
42-10496	5   29	42-10835	1   35	42-10887	1   40	42-11175	1   11

## PART NUMBERS

Part-no.	Page	Part-no.	Page	Part-no.	Page	Part-no.	Page
42-11176	1   11	43-00020	2   29	43-01027	3   48	43-01085	5   19
42-11177	1   11	43-00026	2   31	43-01028	3   48	43-01086	5   19
42-11178	1   11	43-00028	2   31	43-01029	3   48	43-01087	5   19
42-11179	1   13	43-00041	2   32	43-01030	3   48	43-01088	3   51
42-11180	1   13	43-00043	2   32	43-01031	3   48	43-01089	3   51
42-11181	1   13	43-00049	2   33	43-01032	3   49	43-01090	3   51
42-11182	1   13	43-00051	2   33	43-01033	3   49	43-01091	3   26
42-11183	1   32	43-00073	6   25	43-01034	3   49	43-01092	3   26
42-11184	1   32	43-00075	6   23	43-01035	3   49	43-01093	3   26
42-11185	1   32	43-00077	6   26	43-01036	3   49	43-01094	3   27
42-11186	1   32	43-00079	6   24	43-01037	3   49	43-01095	3   27
42-11187	1   23	43-00092	2   22	43-01038	5   16	43-01096	3   27
42-11188	1   23	43-00094	2   22	43-01039	5   16	43-01097	3   22
42-11189	1   23	43-00096	2   24	43-01040	5   17	43-01098	3   50
42-11190	1   23	43-00098	2   24	43-01041	5   17	43-01099	3   23
42-11191	1   23	43-00100	2   23	43-01042	6   28	43-01100	3   51
42-11192	1   23	43-00102	2   23	43-01043	6   29	43-01101	3   26
42-11193	1   23	43-00104	2   25	43-01044	6   57	43-01102	3   27
42-11194	1   23	43-00106	2   25	43-01045	3   14	43-01103	5   43
42-11195	1   23	43-00113	2   26	43-01046	5   14	43-01104	5   43
42-11196	1   23	43-00114	2   26	43-01047	5   41	43-01105	5   43
42-11197	1   23	43-00115	2   27	43-01048	3   44	43-01106	5   44
42-11198	1   23	43-00116	2   27	43-01049	3   15	43-01107	5   44
42-11199	1   23	43-00136	6   21	43-01050	5   15	43-01108	5   44
42-11200	1   23	43-00137	6   22	43-01051	5   42	43-01109	6   30
42-11201	1   23	43-01000	3   14	43-01052	3   45	43-01110	6   31
42-11202	1   23	43-01001	3   14	43-01053	3   18	43-01111	6   58
42-11203	1   37	43-01002	3   14	43-01054	3   19	43-01112	5   20
42-11204	1   37	43-01003	3   44	43-01059	3   54	43-01113	5   20
42-11205	1   37	43-01004	3   44	43-01060	3   54	43-01114	5   21
42-11206	1   37	43-01005	3   44	43-01061	3   54	43-01115	5   21
42-11207	1   37	43-01006	3   18	43-01062	3   54	43-01118	6   62
42-11208	1   37	43-01007	3   18	43-01063	3   54	43-01119	5   24
42-11209	1   37	43-01008	3   18	43-01064	3   54	43-01120	5   24
42-11210	1   37	43-01009	3   15	43-01065	3   55	43-01121	5   22
42-11226	1   11	43-01010	3   15	43-01066	3   55	43-01122	5   22
42-11227	1   11	43-01011	3   15	43-01069	3   55	43-01123	6   38
42-11228	1   11	43-01012	3   45	43-01070	3   55	43-01124	6   38
42-11229	1   11	43-01013	3   45	43-01071	3   55	43-01125	6   39
42-11230	1   13	43-01014	3   45	43-01072	3   55	43-01126	6   39
42-11231	1   13	43-01015	3   19	43-01073	3   22	43-01127	5   16
42-11232	1   13	43-01016	3   19	43-01074	3   22	43-01128	5   17
42-11233	1   13	43-01017	3   19	43-01075	3   22	43-01129	5   22
42-11234	1   32	43-01018	5   41	43-01076	5   18	43-01130	5   23
42-11235	1   32	43-01019	5   41	43-01077	5   18	43-01131	5   23
42-11236	1   32	43-01020	5   42	43-01078	5   18	43-01132	5   23
42-11237	1   32	43-01021	5   42	43-01079	3   50	43-01133	5   25
43-00002	2   28	43-01022	5   14	43-01080	3   50	43-01134	5   25
43-00004	2   28	43-01023	5   14	43-01081	3   50	43-01135	5   20
43-00010	2   30	43-01024	5   15	43-01082	3   23	43-01136	5   21
43-00012	2   30	43-01025	5   15	43-01083	3   23	43-01137	5   24
43-00018	2   29	43-01026	3   48	43-01084	3   23	43-01138	5   25

Part-no.	Page	Part-no.	Page	Part-no.	Page	Part-no.	Page
43-01155	9   4	43-01213	6   44	43-01367	6   80	43-01682	4   17
43-01156	9   5	43-01214	6   35	43-01368	6   81	43-01683	4   18
43-01157	6   62	43-01215	6   45	43-01378	3   30	43-01688	4   18
43-01162	3   33	43-01216	6   32	43-01381	3   30	43-01689	6   48
43-01163	3   33	43-01217	6   42	43-01492	3   30	43-01690	6   67
43-01164	3   33	43-01218	6   33	43-01493	3   31	43-01691	3   79
43-01165	3   33	43-01219	6   43	43-01494	3   31	43-01692	3   79
43-01166	3   36	43-01220	6   60	43-01495	3   31	43-01693	6   49
43-01167	3   36	43-01221	6   65	43-01635	4   18	43-01699	4   19
43-01168	3   36	43-01222	6   59	43-01636	4   20	43-01700	4   19
43-01169	3   36	43-01223	6   64	43-01637	4   15	43-01701	4   19
43-01170	3   57	43-01224	6   36	43-01638	4   16	43-01703	6   90
43-01171	3   57	43-01225	6   46	43-01642	6   82	43-01704	6   91
43-01172	3   57	43-01226	6   37	43-01643	6   82	43-01716	9   4
43-01173	3   57	43-01227	6   47	43-01644	6   82	43-01847	6   73
43-01174	3   60	43-01228	6   61	43-01645	6   83	43-01848	3   82
43-01175	3   60	43-01229	6   66	43-01646	6   83	43-01849	3   82
43-01176	3   60	43-01236	6   63	43-01647	6   83	43-01850	3   83
43-01177	3   60	43-01248	6   63	43-01648	6   51	43-01851	3   83
43-01178	3   32	43-01249	6   40	43-01649	6   51	43-01852	3   80
43-01179	3   32	43-01250	6   40	43-01650	6   51	43-01853	3   80
43-01180	3   32	43-01251	6   41	43-01651	6   52	43-01854	3   81
43-01181	3   32	43-01252	6   41	43-01652	6   52	43-01855	3   81
43-01182	3   35	43-01329	3   34	43-01653	6   52	43-01867	3   43
43-01183	3   35	43-01330	3   17	43-01654	6   51	43-05000	5   48
43-01184	3   35	43-01331	3   16	43-01655	6   51	43-05001	5   48
43-01185	3   35	43-01332	3   34	43-01656	6   51	43-05002	5   46
43-01186	3   56	43-01334	3   58	43-01657	6   52	43-05003	5   46
43-01187	3   56	43-01335	3   58	43-01658	6   52	43-05004	5   47
43-01188	3   56	43-01336	4   15	43-01659	6   52	43-05005	5   45
43-01189	3   56	43-01337	4   15	43-01660	6   68	43-05010	7   36
43-01190	3   59	43-01338	4   16	43-01661	6   68	43-05011	7   36
43-01191	3   59	43-01339	4   16	43-01662	6   68	43-05012	7   37
43-01192	3   59	43-01340	4   17	43-01663	3   63	43-05013	7   37
43-01193	3   59	43-01341	3   20	43-01664	3   63	43-05014	7   34
43-01196	3   61	43-01342	3   21	43-01665	3   63	43-05015	7   35
43-01197	3   61	43-01343	3   46	43-01666	6   84	43-05100	7   12
43-01198	3   61	43-01344	3   47	43-01667	6   84	43-05101	7   13
43-01199	3   61	43-01345	3   24	43-01668	6   84	43-05103	7   14
43-01200	3   37	43-01346	3   25	43-01669	6   53	43-05113	7   26
43-01201	3   37	43-01347	3   28	43-01670	6   53	43-05114	7   27
43-01202	3   37	43-01348	3   29	43-01671	6   53	43-05115	7   27
43-01203	3   37	43-01349	3   52	43-01672	6   70	43-05116	7   27
43-01204	3   62	43-01350	3   53	43-01673	6   70	43-05117	7   15
43-01205	3   62	43-01351	3   39	43-01674	6   70	43-05118	7   24
43-01206	3   62	43-01352	3   39	43-01675	6   98	43-05119	7   24
43-01207	3   62	43-01353	3   40	43-01676	6   98	43-05120	7   24
43-01208	3   38	43-01354	3   40	43-01677	6   98	43-05121	7   24
43-01209	3   38	43-01355	3   41	43-01678	6   69	43-05122	7   23
43-01210	3   38	43-01356	3   41	43-01679	6   69	43-05123	7   23
43-01211	3   38	43-01357	3   42	43-01680	6   69	43-05124	7   23
43-01212	6   34	43-01358	3   42	43-01681	4   20	43-05125	7   23

## PART NUMBERS

Part-no.	Page	Part-no.	Page	Part-no.	Page	Part-no.	Page
43-05126	7   24	43-10086	1   44	43-10185	1   47	43-10353	1   55
43-05127	7   24	43-10087	1   44	43-10186	1   47	43-10354	1   55
43-05128	7   24	43-10096	1   44	43-10187	1   47	43-10355	1   55
43-05129	7   24	43-10097	1   44	43-10188	1   47	43-10356	1   55
43-05130	7   26	43-10098	1   44	43-10189	1   47	43-10357	1   55
43-05131	7   26	43-10099	1   44	43-10190	1   47	43-10358	1   55
43-10000	1   41	43-10100	1   44	43-10191	1   47	43-10359	1   55
43-10001	1   41	43-10101	1   44	43-10200	1   47	43-10360	1   55
43-10002	1   41	43-10102	1   44	43-10201	1   47	43-10361	1   55
43-10003	1   41	43-10103	1   44	43-10202	1   47	43-10362	1   55
43-10012	1   41	43-10104	1   44	43-10203	1   47	43-10363	1   55
43-10013	1   41	43-10105	1   44	43-10204	1   47	43-10364	1   55
43-10014	1   41	43-10106	1   44	43-10205	1   47	43-10365	1   55
43-10015	1   41	43-10107	1   44	43-10206	1   47	43-10366	1   55
43-10016	1   41	43-10116	1   44	43-10207	1   47	43-10367	1   55
43-10017	1   41	43-10117	1   44	43-10208	1   47	43-10368	1   51
43-10018	1   41	43-10118	1   44	43-10209	1   47	43-10369	1   51
43-10019	1   41	43-10119	1   44	43-10210	1   47	43-10370	1   51
43-10020	1   41	43-10120	1   44	43-10211	1   47	43-10371	1   51
43-10021	1   41	43-10121	1   44	43-10220	1   47	43-10392	1   73
43-10022	1   41	43-10122	1   44	43-10221	1   47	43-10393	1   73
43-10023	1   41	43-10123	1   44	43-10222	1   47	43-10394	1   73
43-10032	1   41	43-10124	1   44	43-10223	1   47	43-10395	1   73
43-10033	1   41	43-10125	1   44	43-10224	1   47	43-10416	1   74
43-10034	1   41	43-10126	1   44	43-10225	1   47	43-10417	1   74
43-10035	1   41	43-10127	1   44	43-10226	1   47	43-10418	1   74
43-10036	1   41	43-10129	9   6	43-10227	1   47	43-10419	1   74
43-10037	1   41	43-10136	1   44	43-10228	1   48	43-10424	1   52
43-10038	1   41	43-10137	1   44	43-10229	1   48	43-10425	1   52
43-10039	1   41	43-10138	1   44	43-10230	1   48	43-10426	1   52
43-10040	1   41	43-10139	1   44	43-10231	1   48	43-10427	1   52
43-10041	1   41	43-10140	1   44	43-10240	1   48	43-10436	1   52
43-10042	1   41	43-10141	1   44	43-10241	1   48	43-10437	1   52
43-10043	1   41	43-10142	1   44	43-10242	1   48	43-10438	1   52
43-10052	1   41	43-10143	1   44	43-10243	1   48	43-10439	1   52
43-10053	1   41	43-10144	1   45	43-10336	1   53	43-10440	1   52
43-10054	1   41	43-10145	1   45	43-10337	1   53	43-10441	1   52
43-10055	1   41	43-10146	1   45	43-10338	1   53	43-10442	1   52
43-10056	1   41	43-10147	1   45	43-10339	1   53	43-10443	1   52
43-10057	1   41	43-10156	1   45	43-10340	1   53	43-10444	1   52
43-10058	1   41	43-10157	1   45	43-10341	1   53	43-10445	1   52
43-10059	1   41	43-10158	1   45	43-10342	1   53	43-10446	1   52
43-10060	1   42	43-10159	1   45	43-10343	1   53	43-10447	1   52
43-10061	1   42	43-10168	1   47	43-10344	1   53	43-10456	1   52
43-10062	1   42	43-10169	1   47	43-10345	1   53	43-10457	1   52
43-10063	1   42	43-10170	1   47	43-10346	1   53	43-10458	1   52
43-10072	1   42	43-10171	1   47	43-10347	1   53	43-10459	1   52
43-10073	1   42	43-10180	1   47	43-10348	1   53	43-10460	1   52
43-10074	1   42	43-10181	1   47	43-10349	1   53	43-10461	1   52
43-10075	1   42	43-10182	1   47	43-10350	1   53	43-10462	1   52
43-10084	1   44	43-10183	1   47	43-10351	1   53	43-10463	1   52
43-10085	1   44	43-10184	1   47	43-10352	1   55	43-10480	5   8

Part-no.	Page	Part-no.	Page	Part-no.	Page	Part-no.	Page
43-10481	5   8	43-10557	1   61	43-10721	1   67	43-10873	1   51
43-10482	5   8	43-10558	1   61	43-10722	1   67	43-10874	1   51
43-10483	5   8	43-10559	1   61	43-10723	1   67	43-10875	1   51
43-10484	5   8	43-10560	1   61	43-10724	1   67	43-10884	1   73
43-10485	5   8	43-10561	1   61	43-10725	1   67	43-10885	1   73
43-10486	5   8	43-10562	1   61	43-10726	1   67	43-10886	1   73
43-10487	5   8	43-10563	1   61	43-10727	1   67	43-10887	1   73
43-10488	5   9	43-10564	1   61	43-10728	1   69	43-10888	1   73
43-10489	5   9	43-10565	1   61	43-10729	1   69	43-10889	1   73
43-10490	5   9	43-10566	1   61	43-10730	1   69	43-10890	1   73
43-10491	5   9	43-10567	1   61	43-10731	1   69	43-10891	1   73
43-10492	5   9	43-10576	1   61	43-10812	1   75	43-10900	5   12
43-10493	5   9	43-10577	1   61	43-10813	1   75	43-10901	5   12
43-10494	5   9	43-10578	1   61	43-10814	1   75	43-10902	5   12
43-10495	5   9	43-10579	1   61	43-10815	1   75	43-10903	5   12
43-10496	5   10	43-10580	1   61	43-10820	1   75	43-10904	5   12
43-10497	5   10	43-10581	1   61	43-10821	1   75	43-10905	5   12
43-10498	5   10	43-10582	1   61	43-10822	1   75	43-10906	5   12
43-10499	5   10	43-10583	1   61	43-10823	1   75	43-10907	5   12
43-10500	5   10	43-10584	1   62	43-10824	1   75	43-10908	5   13
43-10501	5   10	43-10585	1   62	43-10825	1   75	43-10909	5   13
43-10502	5   10	43-10586	1   62	43-10826	1   75	43-10910	5   13
43-10503	5   10	43-10587	1   62	43-10827	1   75	43-10911	5   13
43-10512	5   33	43-10596	1   63	43-10832	1   75	43-10912	5   13
43-10513	5   33	43-10597	1   63	43-10833	1   75	43-10913	5   13
43-10514	5   33	43-10598	1   63	43-10834	1   75	43-10914	5   13
43-10515	5   33	43-10599	1   63	43-10835	1   75	43-10915	5   13
43-10516	5   33	43-10672	1   62	43-10840	1   74	43-10916	5   38
43-10517	5   33	43-10673	1   62	43-10841	1   74	43-10917	5   38
43-10518	5   33	43-10674	1   62	43-10842	1   74	43-10918	5   38
43-10519	5   33	43-10675	1   62	43-10843	1   74	43-10919	5   38
43-10520	5   34	43-10676	1   62	43-10844	1   74	43-10920	5   38
43-10521	5   34	43-10677	1   62	43-10845	1   74	43-10921	5   38
43-10522	5   34	43-10678	1   62	43-10846	1   74	43-10922	5   38
43-10523	5   34	43-10679	1   62	43-10847	1   74	43-10923	5   38
43-10524	5   34	43-10688	1   67	43-10848	1   74	43-10924	5   39
43-10525	5   34	43-10689	1   67	43-10849	1   74	43-10925	5   39
43-10526	5   34	43-10690	1   67	43-10850	1   74	43-10926	5   39
43-10527	5   34	43-10691	1   67	43-10851	1   74	43-10927	5   39
43-10528	5   35	43-10700	1   67	43-10860	1   74	43-10928	5   39
43-10529	5   35	43-10701	1   67	43-10861	1   74	43-10929	5   39
43-10530	5   35	43-10702	1   67	43-10862	1   74	43-10930	5   39
43-10531	5   35	43-10703	1   67	43-10863	1   74	43-10931	5   39
43-10532	5   35	43-10704	1   67	43-10864	1   74	43-10932	6   16
43-10533	5   35	43-10705	1   67	43-10865	1   74	43-10933	6   16
43-10534	5   35	43-10706	1   67	43-10866	1   74	43-10934	6   16
43-10535	5   35	43-10707	1   67	43-10867	1   74	43-10935	6   16
43-10544	1   61	43-10708	1   67	43-10868	1   51	43-10936	6   17
43-10545	1   61	43-10709	1   67	43-10869	1   51	43-10937	6   17
43-10546	1   61	43-10710	1   67	43-10870	1   51	43-10938	6   17
43-10547	1   61	43-10711	1   67	43-10871	1   51	43-10939	6   17
43-10556	1   61	43-10720	1   67	43-10872	1   51	43-10940	6   20

## PART NUMBERS

Part-no.	Page	Part-no.	Page	Part-no.	Page	Part-no.	Page
43-10941	6   20	43-11037	1   42	43-11269	1   43	43-11451	1   79
43-10942	6   20	43-11038	1   42	43-11270	1   43	43-11452	1   79
43-10943	6   20	43-11039	1   42	43-11271	1   43	43-11453	1   79
43-10944	6   54	43-11040	1   42	43-11272	1   46	43-11454	1   80
43-10945	6   54	43-11041	1   42	43-11273	1   46	43-11455	1   80
43-10946	6   54	43-11046	1   48	43-11274	1   46	43-11456	1   80
43-10947	6   54	43-11047	1   48	43-11275	1   46	43-11457	1   80
43-10948	6   55	43-11048	1   48	43-11276	1   46	43-11458	1   80
43-10949	6   55	43-11049	1   48	43-11277	1   46	43-11459	1   80
43-10950	6   55	43-11050	1   48	43-11278	1   46	43-11460	1   80
43-10951	6   55	43-11051	1   48	43-11279	1   46	43-11461	1   80
43-10952	1   68	43-11052	1   48	43-11280	1   54	43-11520	6   93
43-10953	1   68	43-11053	1   48	43-11281	1   54	43-11601	6   16
43-10954	1   68	43-11054	1   63	43-11282	1   54	43-11602	6   16
43-10955	1   68	43-11055	1   63	43-11283	1   54	43-11603	6   16
43-10964	1   68	43-11056	1   63	43-11284	1   54	43-11604	6   16
43-10965	1   68	43-11057	1   63	43-11285	1   54	43-11605	6   16
43-10966	1   68	43-11058	1   45	43-11286	1   54	43-11606	6   16
43-10967	1   68	43-11059	1   45	43-11287	1   54	43-11607	6   16
43-10968	1   68	43-11060	1   45	43-11288	1   56	43-11608	6   16
43-10969	1   68	43-11061	1   45	43-11289	1   56	43-11609	6   17
43-10970	1   68	43-11062	1   45	43-11290	1   56	43-11610	6   17
43-10971	1   68	43-11063	1   45	43-11291	1   56	43-11611	6   17
43-10972	1   54	43-11064	1   45	43-11292	1   56	43-11612	6   17
43-10973	1   54	43-11065	1   45	43-11293	1   56	43-11613	6   17
43-10974	1   54	43-11070	1   62	43-11294	1   56	43-11614	6   17
43-10975	1   54	43-11071	1   62	43-11295	1   56	43-11615	6   17
43-10976	1   54	43-11072	1   62	43-11311	6   92	43-11616	6   17
43-10977	1   54	43-11073	1   62	43-11347	9   6	43-11617	6   20
43-10978	1   54	43-11078	1   62	43-11349	9   6	43-11618	6   20
43-10979	1   54	43-11079	1   62	43-11358	9   6	43-11619	6   20
43-10980	1   56	43-11080	1   62	43-11430	1   77	43-11620	6   20
43-10981	1   56	43-11081	1   62	43-11431	1   77	43-11621	6   20
43-10982	1   56	43-11082	1   68	43-11432	1   77	43-11622	6   20
43-10983	1   56	43-11083	1   68	43-11433	1   77	43-11623	6   20
43-10984	1   56	43-11084	1   68	43-11434	1   77	43-11636	5   37
43-10985	1   56	43-11085	1   68	43-11435	1   77	43-11637	5   37
43-10986	1   56	43-11086	1   68	43-11436	1   77	43-11638	5   37
43-10987	1   56	43-11087	1   68	43-11437	1   77	43-11639	5   37
43-10988	1   76	43-11088	1   68	43-11438	1   78	43-11640	5   37
43-10989	1   76	43-11089	1   68	43-11439	1   78	43-11641	5   37
43-10990	1   76	43-11106	1   69	43-11440	1   78	43-11642	5   37
43-10991	1   76	43-11107	1   69	43-11441	1   78	43-11643	5   37
43-10992	1   76	43-11108	1   69	43-11442	1   78	43-11652	5   40
43-10993	1   76	43-11109	1   69	43-11443	1   78	43-11653	5   40
43-10994	1   76	43-11210	6   27	43-11444	1   78	43-11654	5   40
43-10995	1   76	43-11228	6   20	43-11445	1   78	43-11655	5   40
43-10996	6   56	43-11264	1   43	43-11446	1   79	43-11656	5   40
43-10997	6   56	43-11265	1   43	43-11447	1   79	43-11657	5   40
43-11034	1   42	43-11266	1   43	43-11448	1   79	43-11658	5   40
43-11035	1   42	43-11267	1   43	43-11449	1   79	43-11659	5   40
43-11036	1   42	43-11268	1   43	43-11450	1   79	43-11735	6   97

Part-no.	Page
43-11736	6   97
43-11737	6   97
43-11738	6   97
43-11739	6   97
43-11740	6   97
43-11741	6   97
43-11742	6   97
43-11743	6   97
43-11744	6   96
43-11745	6   96
43-11746	6   96
43-11747	6   96
43-11748	6   96
43-11749	6   96
43-11750	6   96
43-11751	6   96
43-11752	6   96
43-11753	6   95
43-11754	6   95
43-11755	6   95
43-11756	6   95
43-11757	6   95
43-11758	6   95
43-11759	6   95
43-11760	6   95
43-11761	6   95
43-11929	6   94
43-12100	9   5
43-12101	9   5
43-12415	1   57
43-12416	1   57
43-12417	1   57
43-12418	1   57
43-12419	1   57
43-12420	1   57
43-12421	1   57
43-12422	1   57
43-12423	1   57
43-12424	1   57
43-12425	1   57
43-12426	1   57
43-12427	1   57
43-12428	1   57
43-12429	1   57
43-12430	1   57
43-12431	1   58
43-12432	1   58
43-12433	1   58
43-12434	1   58
43-12435	1   58
43-12436	1   58
43-12437	1   58

Part-no.	Page
43-12438	1   58
43-12463	7   16
43-12464	7   16
43-12465	7   16
43-12466	7   16
43-12467	7   17
43-12468	7   17
43-12469	7   17
43-12470	7   17
43-12471	6   18
43-12472	6   18
43-12473	6   18
43-12474	6   18
43-12475	6   18
43-12476	6   18
43-12477	6   18
43-12478	6   18
43-12479	6   18
43-12480	6   18
43-12481	6   18
43-12482	6   18
43-12483	6   50
43-12484	6   56
43-12485	6   56
43-12500	6   75
43-12501	6   75
43-12502	6   75
43-12503	6   75
43-12504	6   75
43-12505	6   75
43-12506	6   75
43-12507	6   75
43-12508	6   74
43-12509	6   74
43-12510	6   74
43-12511	6   74
43-12512	6   74
43-12513	6   74
43-12514	6   74
43-12515	6   74
43-12516	6   76
43-12517	6   76
43-12518	6   76
43-12519	6   76
43-12520	6   76
43-12521	6   76
43-12522	6   76
43-12523	6   76
43-12524	6   77
43-12525	6   77
43-12526	6   77
43-12527	6   77

Part-no.	Page
43-12528	6   77
43-12529	6   77
43-12530	6   77
43-12531	6   77
43-12532	6   78
43-12533	6   78
43-12534	6   78
43-12535	6   78
43-12536	6   78
43-12537	6   78
43-12538	6   78
43-12539	6   78
43-12542	7   20
43-12543	7   20
43-12544	7   20
43-12545	7   20
43-12603	7   18
43-12604	7   18
43-12605	7   18
43-12606	7   18
43-12607	7   19
43-12608	7   19
43-12609	7   19
43-12610	7   19
43-12623	7   21
43-12624	7   21
43-12625	7   21
43-12626	7   21
43-12627	7   22
43-12628	7   22
43-12629	7   22
43-12630	7   22
43-12642	6   85
43-13662	1   63
43-14380	6   87
43-14381	6   87
43-14382	6   87
43-14383	6   87
43-14384	6   88
43-14385	6   88
43-14386	6   88
43-14387	6   88
43-14388	6   89
43-14389	6   89
43-14390	6   89
43-14391	6   89
43-14424	1   49
43-14425	1   49
43-14426	1   49
43-14427	1   49
43-14428	1   49
43-14429	1   49

Part-no.	Page
43-14430	1   49
43-14431	1   49
43-14432	1   49
43-14433	1   49
43-14434	1   49
43-14435	1   49
43-14436	1   49
43-14437	1   49
43-14438	1   49
43-14439	1   49
43-14440	1   49
43-14441	1   49
43-14442	1   49
43-14443	1   49
43-14444	1   49
43-14445	1   49
43-14446	1   49
43-14447	1   49
43-14448	1   49
43-14449	1   49
43-14450	1   49
43-14451	1   49
43-14452	1   49
43-14453	1   49
43-14454	1   49
43-14455	1   49
43-14456	1   49
43-14457	1   49
43-14458	1   49
43-14459	1   49
43-14460	1   50
43-14461	1   50
43-14462	1   50
43-14463	1   50
43-14464	1   50
43-14465	1   50
43-14466	1   50
43-14467	1   50
43-14468	1   50
43-14469	1   50
43-14470	1   50
43-14471	1   50
43-14472	1   50
43-14473	1   50
43-14474	1   50
43-14475	1   50
43-14593	1   64
43-14594	1   64
43-14595	1   64
43-14596	1   64
43-14597	1   64
43-14598	1   64

## PART NUMBERS

Part-no.	Page
43-14599	1   64
43-14600	1   64
43-14601	1   64
43-14602	1   64
43-14603	1   64
43-14604	1   64
43-14605	1   64
43-14606	1   64
43-14607	1   64
43-14608	1   64
43-14609	1   64
43-14610	1   64
43-14611	1   64
43-14612	1   64
43-14613	1   64
43-14614	1   64
43-14615	1   64
43-14616	1   64
43-14617	1   65
43-14618	1   65
43-14619	1   65
43-14620	1   65
43-14621	1   65
43-14622	1   65
43-14623	1   65
43-14624	1   65
43-14625	1   65
43-14626	1   65
43-14627	1   65
43-14628	1   65
43-14629	1   65
43-14630	1   65
43-14631	1   65
43-14632	1   65
43-14633	1   65
43-14634	1   65
43-14635	1   65
43-14636	1   65
43-14637	1   66
43-14638	1   66
43-14639	1   66
43-14640	1   66
43-14641	1   66
43-14642	1   66
43-14643	1   66
43-14644	1   66
43-14653	1   70
43-14654	1   70
43-14655	1   70
43-14656	1   70
43-14657	1   70
43-14658	1   70

Part-no.	Page
43-14659	1   70
43-14660	1   70
43-14661	1   70
43-14662	1   70
43-14663	1   70
43-14664	1   70
43-14665	1   70
43-14666	1   70
43-14667	1   70
43-14668	1   70
43-14669	1   70
43-14670	1   70
43-14671	1   70
43-14672	1   70
43-14673	1   70
43-14674	1   70
43-14675	1   70
43-14676	1   70
43-14677	1   71
43-14678	1   71
43-14679	1   71
43-14680	1   71
43-14681	1   71
43-14682	1   71
43-14683	1   71
43-14684	1   71
43-14685	1   71
43-14686	1   71
43-14687	1   71
43-14688	1   71
43-14689	1   71
43-14690	1   71
43-14691	1   71
43-14692	1   71
43-14693	1   71
43-14694	1   71
43-14695	1   71
43-14696	1   71
43-14697	1   72
43-14698	1   72
43-14699	1   72
43-14700	1   72
43-14701	1   72
43-14702	1   72
43-14703	1   72
43-14704	1   72
43-14783	5   11
43-14784	5   11
43-14785	5   11
43-14786	5   11
43-14787	5   11
43-14788	5   11

Part-no.	Page
43-14789	5   11
43-14790	5   11
43-14824	5   36
43-14825	5   36
43-14826	5   36
43-14827	5   36
43-14828	5   36
43-14829	5   36
43-14830	5   36
43-14831	5   36
43-14852	1   59
43-14853	1   59
43-14854	1   59
43-14855	1   59
43-14856	1   59
43-14857	1   59
43-14858	1   59
43-14859	1   59
43-14860	1   59
43-14861	1   59
43-14862	1   59
43-14863	1   59
43-14864	1   59
43-14865	1   59
43-14866	1   59
43-14867	1   59
43-14868	1   60
43-14869	1   60
43-14870	1   60
43-14871	1   60
43-14872	1   60
43-14873	1   60
43-14874	1   60
43-14875	1   60
43-14930	6   19
43-14931	6   19
43-14932	6   19
43-14933	6   19
43-14934	6   19
43-14935	6   19
43-14936	6   19
43-14937	6   19
43-14938	6   19
43-14939	6   19
43-14940	6   19
43-14941	6   19
43-15031	1   76
43-15261	1   83
43-15262	1   83
43-15263	1   83
43-15264	1   83
43-15265	1   83

Part-no.	Page
43-15266	1   83
43-15267	1   83
43-15268	1   83
43-15269	1   84
43-15270	1   84
43-15271	1   84
43-15272	1   84
43-15273	1   84
43-15274	1   84
43-15275	1   84
43-15276	1   84
43-15277	1   63
43-15278	1   63
43-15279	1   63
43-15280	1   63
43-15281	1   63
43-15282	1   63
43-15283	1   63
43-15284	1   76
43-15285	1   76
43-15286	1   76
43-15287	1   76
43-15288	1   76
43-15289	1   76
43-15290	1   76
43-15297	1   81
43-15298	1   81
43-15299	1   81
43-15300	1   81
43-15301	1   81
43-15302	1   81
43-15303	1   81
43-15304	1   81
43-15305	1   81
43-15306	1   81
43-15307	1   81
43-15308	1   81
43-15309	1   81
43-15310	1   81
43-15311	1   81
43-15312	1   81
43-15313	1   82
43-15314	1   82
43-15315	1   82
43-15316	1   82
43-15317	1   82
43-15318	1   82
43-15319	1   82
43-15320	1   82
43-15321	1   82
43-15322	1   82
43-15323	1   82

Part-no.	Page
43-15324	1   82
43-15325	1   82
43-15326	1   82
43-15327	1   82
43-15328	1   82
43-15364	6   72
43-15365	6   72
43-15366	6   72
43-15367	6   72
55-00000	8   4
55-00001	8   4
55-00004	8   5
55-00005	8   5
55-00008	8   6
55-00009	8   6
55-00010	8   8
55-00011	8   8
55-00012	8   7
55-00013	8   7
55-00014	8   9
55-00015	8   9
55-00016	8   10
55-00017	8   10
55-00020	8   11
55-00021	8   11
55-00024	8   12
55-00025	8   12
55-00028	8   13
55-00029	8   13
55-00039	8   5
55-00040	8   7
55-00041	8   11
55-00042	8   13
55-00043	8   5
55-00044	8   5
55-00045	8   4
55-00046	8   12
55-00048	8   5
55-00064	8   4
55-00065	8   4
55-00072	8   4
55-00073	8   9
55-00074	8   9
55-00079	8   4
55-00080	8   4
55-00081	8   5
55-00082	8   5
55-00083	8   5
55-00084	8   5
55-00085	8   4
55-00086	8   4
55-00087	8   4

Part-no.	Page
55-00088	8   4
55-00089	8   4
55-00090	8   4
55-00091	8   4
55-00092	8   4
55-00093	8   5
55-00094	8   5
55-00095	8   5
55-00096	8   5
55-00097	8   5
55-00098	8   5
55-00154	8   6
55-00155	8   6
55-00156	8   6
55-00157	8   6
55-00158	8   6
55-00159	8   6
55-00160	8   7
55-00161	8   7
55-00162	8   7
55-00163	8   7
55-00164	8   7
55-00165	8   6
55-00166	8   6
55-00167	8   6
55-00168	8   6
55-00169	8   6
55-00170	8   6
55-00171	8   6
55-00172	8   6
55-00173	8   7
55-00174	8   7
55-00175	8   7
55-00176	8   7
55-00177	8   7
55-00178	8   7
55-00179	8   7
55-00180	8   7
55-00181	8   8
55-00182	8   8
55-00183	8   8
55-00184	8   8
55-00185	8   8
55-00186	8   8
55-00187	8   9
55-00188	8   9
55-00189	8   9
55-00190	8   9
55-00191	8   8
55-00192	8   8
55-00193	8   8
55-00194	8   8

Part-no.	Page
55-00195	8   8
55-00196	8   8
55-00197	8   8
55-00198	8   8
55-00199	8   9
55-00200	8   9
55-00201	8   9
55-00202	8   9
55-00203	8   9
55-00204	8   9
55-00205	8   9
55-00206	8   9
55-00207	8   10
55-00208	8   10
55-00209	8   10
55-00210	8   10
55-00211	8   10
55-00212	8   10
55-00213	8   11
55-00214	8   11
55-00215	8   11
55-00216	8   11
55-00217	8   11
55-00218	8   10
55-00219	8   10
55-00220	8   10
55-00221	8   10
55-00222	8   10
55-00223	8   10
55-00224	8   10
55-00225	8   10
55-00226	8   11
55-00227	8   11
55-00228	8   11
55-00229	8   11
55-00230	8   11
55-00231	8   11
55-00232	8   11
55-00233	8   11
55-00234	8   12
55-00235	8   12
55-00236	8   12
55-00237	8   12
55-00238	8   12
55-00239	8   13
55-00240	8   13
55-00241	8   13
55-00242	8   13
55-00243	8   13
55-00244	8   12
55-00245	8   12
55-00246	8   12

Part-no.	Page
55-00247	8   12
55-00248	8   12
55-00249	8   12
55-00250	8   12
55-00251	8   12
55-00252	8   13
55-00253	8   13
55-00254	8   13
55-00255	8   13
55-00256	8   13
55-00257	8   13
55-00258	8   13
55-00259	8   13

Internet

[www.conec.com](http://www.conec.com)

Use the fastest connection to reach us. Behind this address you'll find a company with an international well-known name.

Our web side will support you to find all information about us and our product range.





Take a look in our catalogs and release your orders and sample bookings – just online. This saves a lot of time. Catch up our news or engage for our online-help. Just click-through, that will be the best.

Or contact us in writing:

CONEC  
Elektronische Bauelemente GmbH  
Ostenfeldmark 16  
59557 Lippstadt  
Germany

**CONEC**

Elektronische Bauelemente GmbH  
Ostenfeldmark 16  
59557 Lippstadt  
Deutschland

Tel. +49 2941 765-0  
Fax +49 2941 76565  
E-Mail [info@conec.de](mailto:info@conec.de)  
[www.conec.com](http://www.conec.com)



**CONEC Corporation**

125 Sun Pac Blvd.  
Brampton Ontario  
Canada L6S 5Z6  
Tel. +1 905 790 2200  
Fax +1 905 790 2201  
E-Mail [info@conec.com](mailto:info@conec.com)

**CONEC s.r.o.**

Loucka 119  
76325 Ujezd  
Czech Republic  
Tel. +42 0577 350132  
Fax +42 0577 350134  
E-Mail [info@conec.cz](mailto:info@conec.cz)

**CONEC**

343 Technology Drive  
Garner, NC, USA 27529  
Tel. +1 919 460 8800  
Fax +1 919 460 0141  
E-Mail [info@conec.com](mailto:info@conec.com)

**CONEC France SARL**

202 Rue des Chevreuils  
30320 Poulx  
Tel. +33 9 75267217  
Fax +33 4 66570916  
E-Mail [info@conec.fr](mailto:info@conec.fr)

**CONEC (UK) Limited**

Ringway House East  
Kelvin Road  
Newbury, Berkshire  
RG14 2DB  
Tel. +44 1635 36929  
Fax +44 1635 36925  
E-Mail [info@conec.co.uk](mailto:info@conec.co.uk)

**CONEC (Shanghai)**

Int. Trading Co., Ltd.  
Rm. 715 Yongding Bldg.  
No. 3388 Gong He Xin Rd.  
200436 Shanghai  
Tel. +86 21 66300930  
Fax +86 21 66300911  
E-Mail [info@conec.cn](mailto:info@conec.cn)

**CONEC Polska Sp. zo.o**

ul.Szmaragdowa 10  
52-215 Wroclaw  
Tel. +48 713744045  
Fax +48 713744049  
E-Mail [info@conec.pl](mailto:info@conec.pl)

**CONEC GmbH Schatz Electronic**

Schubertstr. 14a  
99096 Erfurt  
Tel. +49 361 340110  
Fax +49 361 3401111  
E-Mail [info@schatz-electronic.de](mailto:info@schatz-electronic.de)