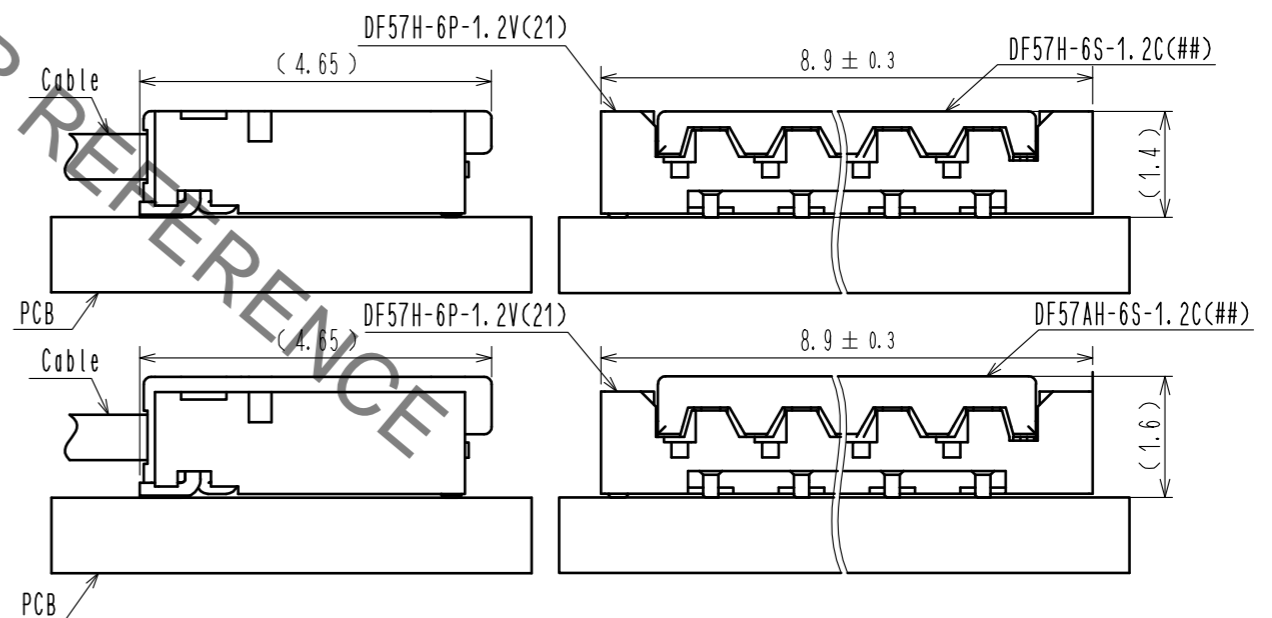
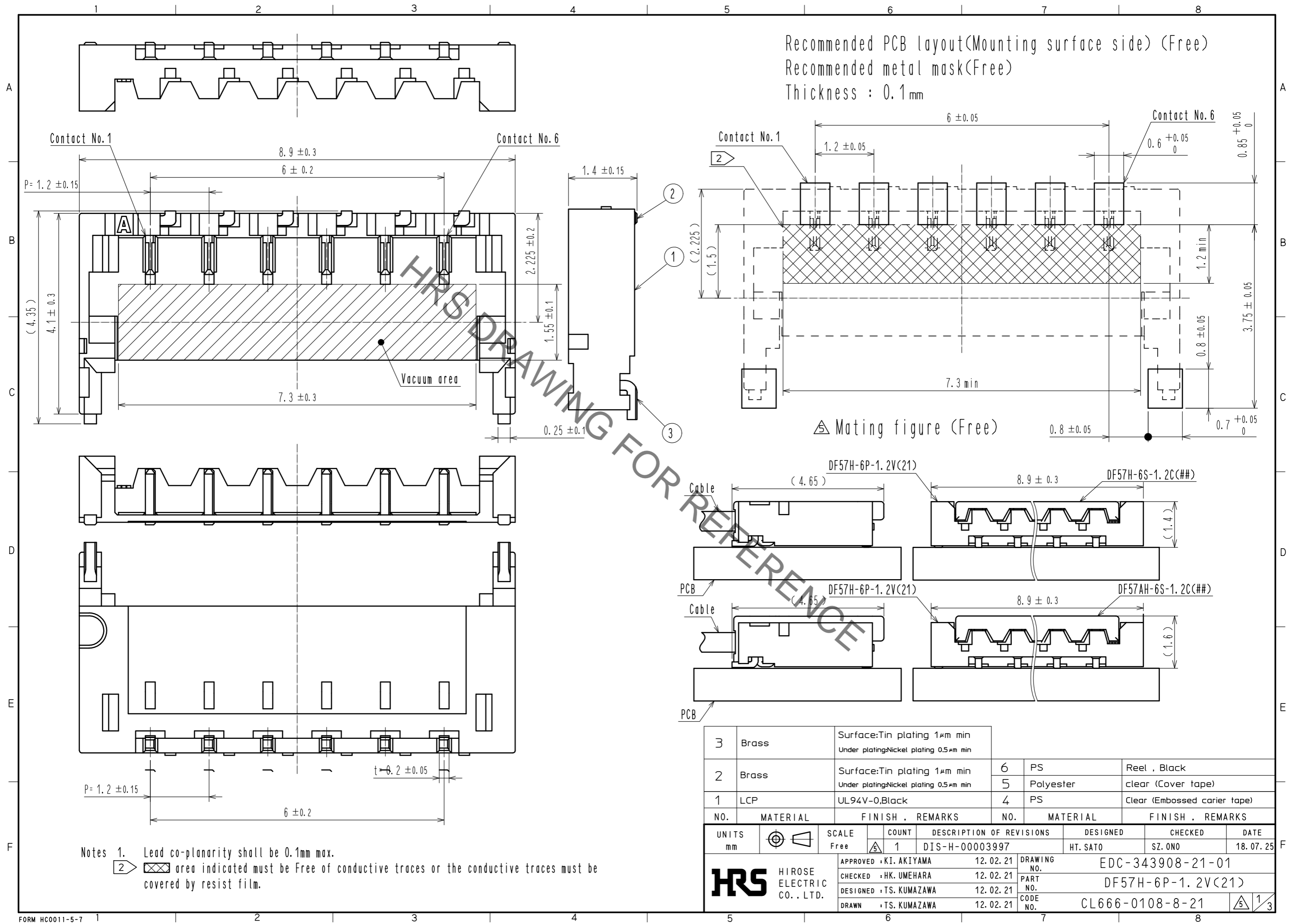
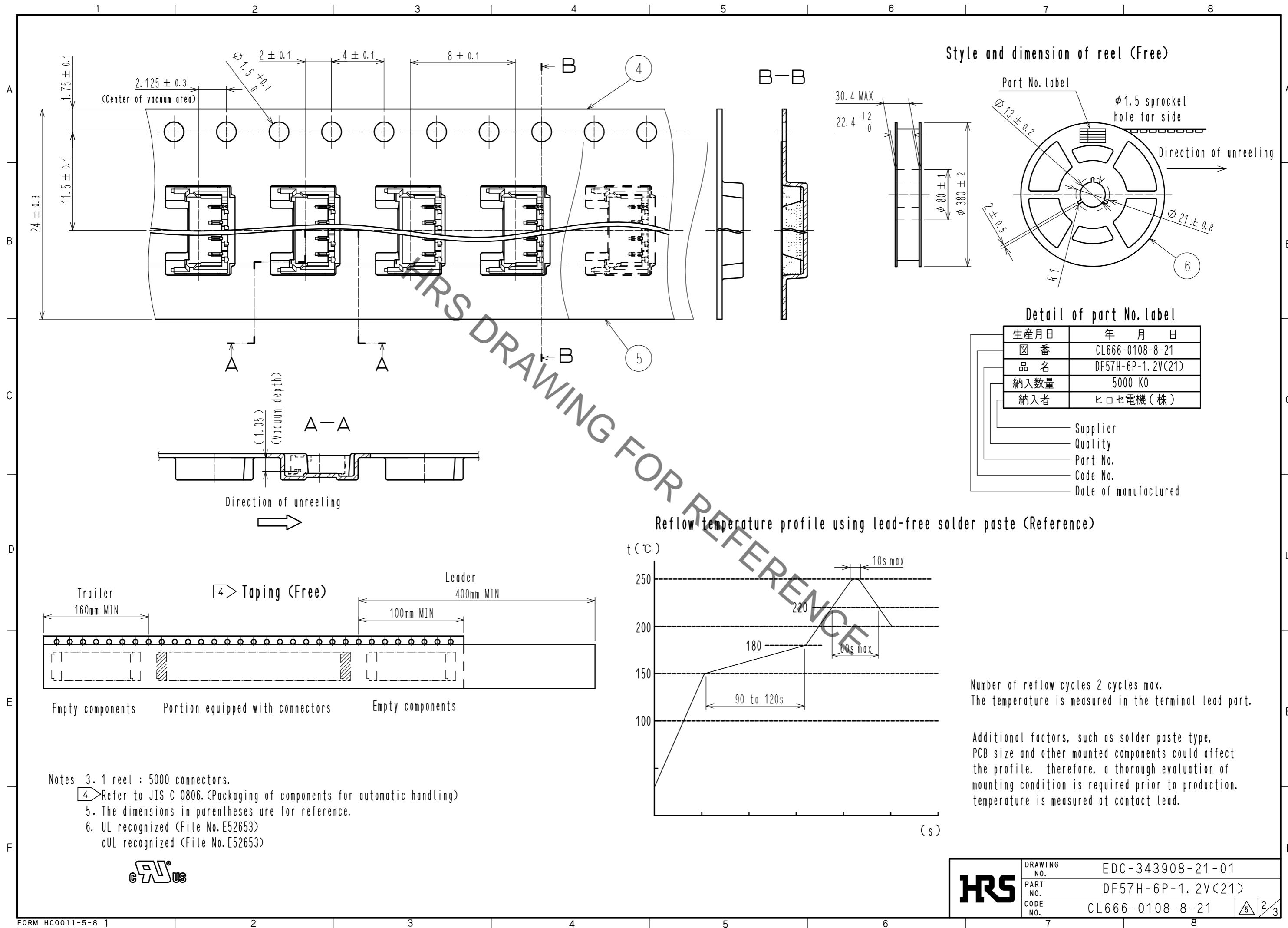


Feb.1.2020 Copyright 2020 HIROSE ELECTRIC CO., LTD. All Rights Reserved.
In case of consideration for using Automotive equipment / device which demand high reliability, kindly contact our sales window correspondents.



3	Brass	Surface: Tin plating 1μm min Under plating: Nickel plating 0.5μm min	6	PS	Reel, Black
2	Brass	Surface: Tin plating 1μm min Under plating: Nickel plating 0.5μm min	5	Polyester	clear (Cover tape)
1	LCP	UL94V-0, Black	4	PS	Clear (Embossed carrier tape)
NO.	MATERIAL	FINISH . REMARKS	NO.	MATERIAL	FINISH . REMARKS
UNITS mm		SCALE Free	COUNT 1	DESCRIPTION OF REVISIONS	
				DESIGNED HT. SATO	CHECKED SZ. ONO
				DATE 18.07.25	
HRS HIROSE ELECTRIC CO., LTD.		APPROVED : KI. AKIYAMA 12.02.21	DRAWING NO. EDC-343908-21-01		
		CHECKED : HK. UMEHARA 12.02.21	PART NO. DF57H-6P-1.2V(21)		
		DESIGNED : TS. KUMAZAWA 12.02.21	CODE NO. CL666-0108-8-21		
		DRAWN : TS. KUMAZAWA 12.02.21	1/3		

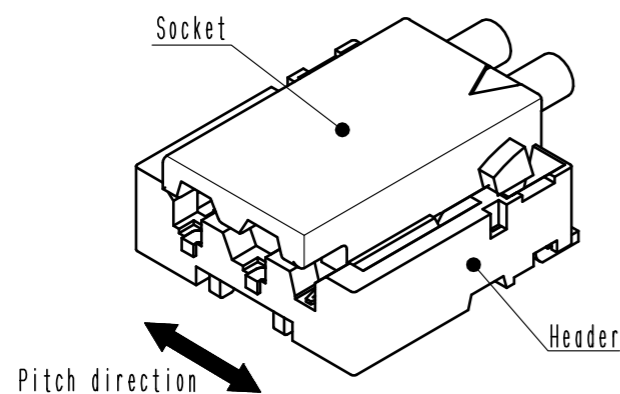
Feb.1.2020 Copyright 2020 HIROSE ELECTRIC CO., LTD. All Rights Reserved.
 In case of consideration for using Automotive equipment / device which demand high reliability, kindly contact our sales window correspondents.



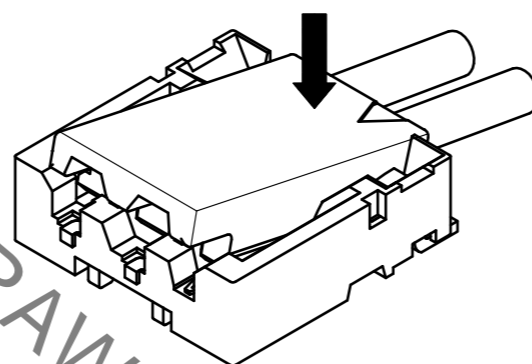
HRS	DRAWING NO.	EDC-343908-21-01
	PART NO.	DF57H-6P-1.2V(C21)
	CODE NO.	CL666-0108-8-21
		△ 2/3

Feb.1.2020 Copyright 2020 HIROSE ELECTRIC CO., LTD. All Rights Reserved.
In case of consideration for using Automotive equipment / device which demand high reliability, kindly contact our sales window correspondents.

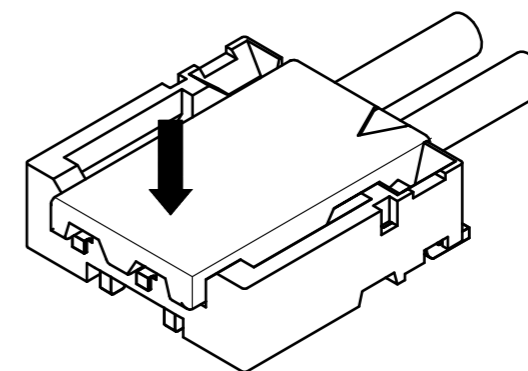
①By positioning the convexity of the socket sides to the header concavity, align the centers of the socket and the header in pitch direction.



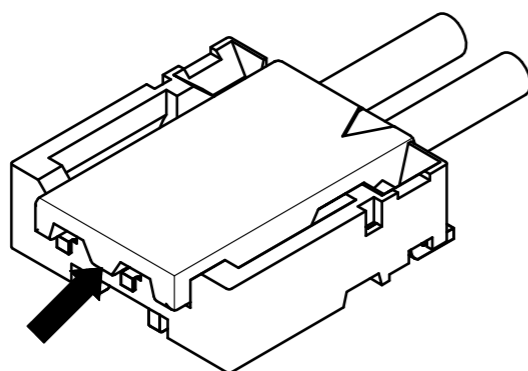
②Slightly press the socket down at cable side to tilted angle.



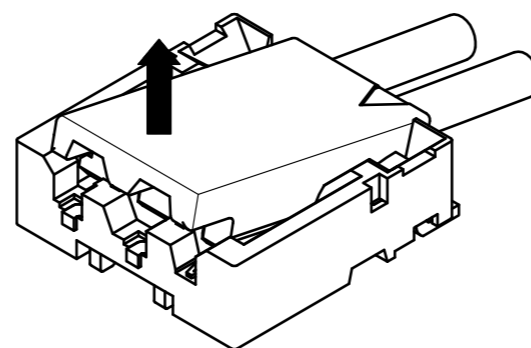
③Press down at the lever side with stabilizing the cable side to insert. Mating completes.



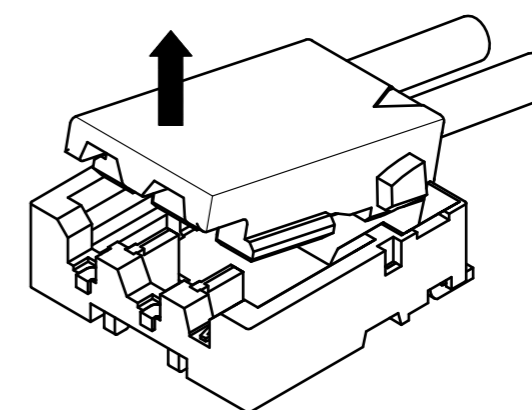
①Hook the lever with finger nail.



②Lift up to the upper direction and friction lock is released.



③Lift up to the upper direction and positive lock is released. Removal completes.



HRS DRAWING FOR REFERENCE

HRS	DRAWING NO.	EDC-343908-21-01
	PART NO.	DF57H-6P-1.2V(21)
	CODE NO.	CL666-0108-8-21
		3/3