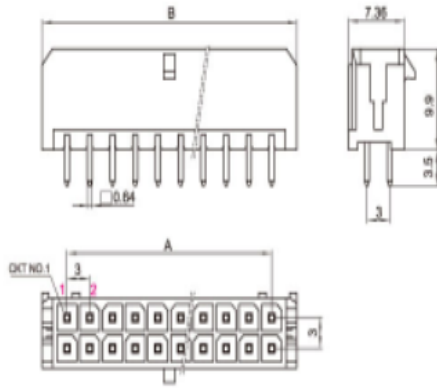
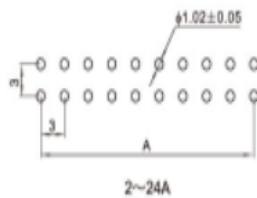


HX30002-A (43045)



■ 安装尺寸

MOUNTING MEASUREMENT



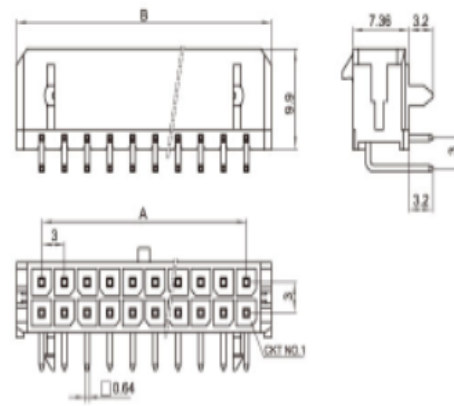
■ 端子 TERMINAL

端子与HX30001-PT (43030) 型端子通用(P115)
Terminal is interchangeable with HX30001-PT (43030) Terminal (P115)

■ 插头 PLUG HOUSING

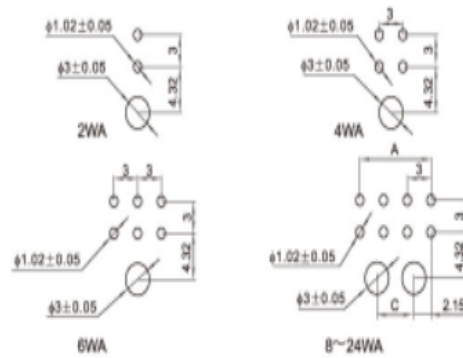
插头与HX30002-P (43025) 型插头通用(P115)
Housing is interchangeable with HX30002-P (43025) Plug housing (P115)

HX30002-WA (43045)



■ 安装尺寸

MOUNTING MEASUREMENT



针座 WAFER (43045)

线数 Poles	型号 Type		尺寸 Dimensions(mm)		
	直式 (180°)	弯式 (90°)	A	B	C
2	HX30002-2A	HX30002-2WA	0	6.6	0
4	HX30002-4A	HX30002-4WA	3.0	9.6	0
6	HX30002-6A	HX30002-6WA	6.0	12.6	0
8	HX30002-8A	HX30002-8WA	9.0	15.6	4.7
10	HX30002-10A	HX30002-10WA	12.0	18.6	7.7
12	HX30002-12A	HX30002-12WA	15.0	21.6	10.7
14	HX30002-14A	HX30002-14WA	18.0	24.6	13.7
16	HX30002-16A	HX30002-16WA	21.0	27.6	16.7
18	HX30002-18A	HX30002-18WA	24.0	30.6	19.7
20	HX30002-20A	HX30002-20WA	27.0	33.6	22.7
22	HX30002-22A	HX30002-22WA	30.0	36.6	25.7
24	HX30002-24A	HX30002-24WA	33.0	39.6	28.7