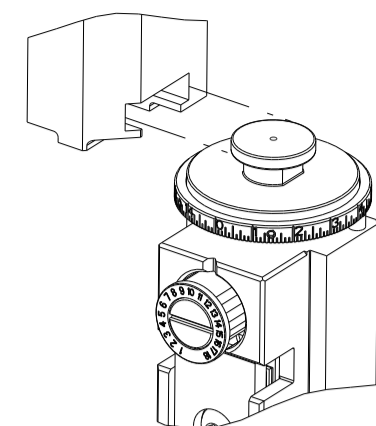


PART NUMBER	REVISION	DESCRIPTION	FEED TYPE
2150054-2	E	FINE CRIMP HEIGHT ADJUST	PNEUMATIC
7-2150054-2	E	PNEUMATIC AND CRIMP TOOLING KIT	PNEUMATIC
7-2150054-7	A	CRIMP TOOLING KIT	-

ATLANTIC VERSION TERMINATOR INTERFACE ADAPTER



APPLICATOR DATA		
CRIMP	SIZE	TYPE
WIRE	3.05 mm [.120]	F
INSUL	5.90 mm [.232]	O
APPL INSTRUCTIONS 408-35043		

TERMINAL DATA: TE TERMINAL		TE CRIMP SPECIFICATION	
TERMINAL NAME: .187 SERIES POSITIVE LOCK RECEP			
WIRE STRIP LENGTH		INSULATION DIAMETER RANGE	
4.50-5.50 mm [.177-.217 IN]		Ø2.10-3.60 mm [.083-.142 IN]	
TERMINAL APPLICATION SPECIFICATION	114-5041	-	-
TERMINALS APPLIED			
TE TERMINAL	TE TERMINAL	TE TERMINAL	TE TERMINAL
170326-1	170326-5		

TERMINAL DATA: TE TERMINAL		TE CRIMP SPECIFICATION	
TERMINAL NAME: .187 SERIES POSITIVE LOCK RECEP			
WIRE STRIP LENGTH		INSULATION DIAMETER RANGE	
4.50-5.50 mm [.177-.217 IN]		Ø2.10-3.60 mm [.083-.142 IN]	
TERMINAL APPLICATION SPECIFICATION	114-5041	-	-
TERMINALS APPLIED			
TE TERMINAL	TE TERMINAL	TE TERMINAL	TE TERMINAL
1318306-1			

WIRE SIZE	CRIMP HEIGHT mm [INCH]	CRIMP HEIGHT REFERENCE SETTING
1.72-2.08mm ²	1.57+/-0.05 [.062+/- .002]	7.0
1.12-1.68mm ²	1.40+/-0.05 [.055+/- .002]	8.7
0.70-1.02mm ²	1.24+/-0.05 [.049+/- .002]	10.5

WIRE SIZE	CRIMP HEIGHT mm [INCH]	CRIMP HEIGHT REFERENCE SETTING
2.36-2.55mm ²	1.64+/-0.05 [.065+/- .002]	6.3
1.72-2.08mm ²	1.57+/-0.05 [.062+/- .002]	7.0
1.12-1.68mm ²	1.40+/-0.05 [.055+/- .002]	8.7
0.70-1.02mm ²	1.24+/-0.05 [.049+/- .002]	10.5

- RECOMMENDED SPARE PARTS
- REFER TO SUPPLIED INSTRUCTION SHEET FOR CLEANING, LUBRICATION AND STORAGE OF APPLICATOR.
- APPLY PART NUMBER 2-23419-6 LOCTITE TO THREADS OF ITEM 242. APPLY PART NUMBER 1-23419-5 LOCTITE TO THREADS OF ITEM 50.
- CRIMP HEIGHT REFERENCE SETTING WAS THE SETTING USED WHEN THE APPLICATOR WAS QUALIFIED AT THE FACTORY. ADJUSTMENT MAY BE NECESSARY WHEN RUNNING APPLICATOR IN THE FIELD.
- TERMINAL PITCH NOT COMPATIBLE WITH MECHANICAL FEED.
- 6. UNLESS SPECIFIED OTHERWISE TORQUE VALUES SHALL BE USED PER DOCUMENT, 101-35000.

***WARNING**
ON INSTALLATION, SET WIRE DISC TO CRIMP HEIGHT REFERENCE SETTING FOR LARGEST WIRE SIZE. CRIMP HEIGHT REFERENCE SETTINGS GREATER THAN THE VALUE SHOWN MAY CAUSE DAMAGE TO THE CRIMP TOOLING. REFER TO THE INSTRUCTION SHEET FOR PROPER SETUP AND ADJUSTMENTS.

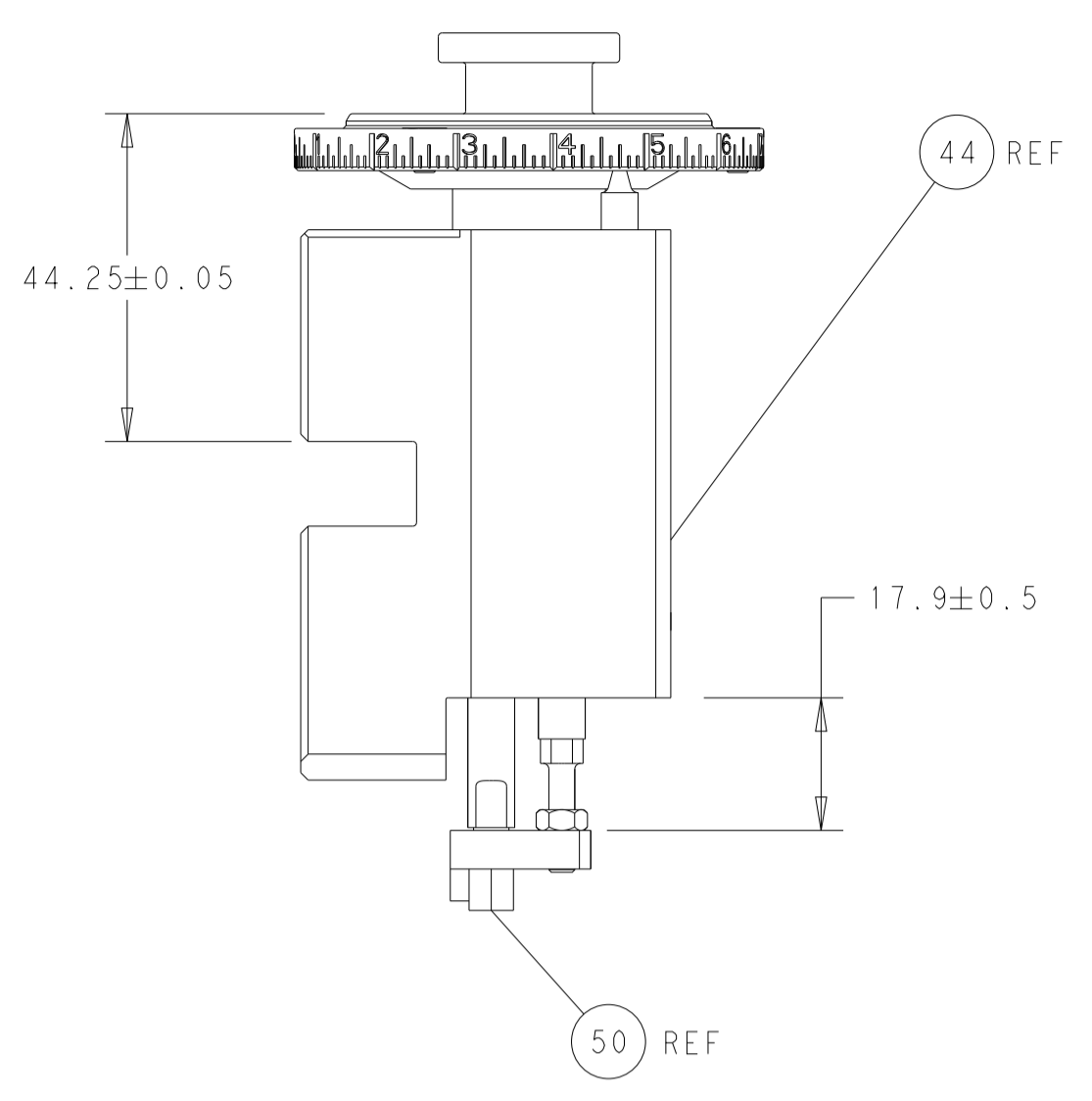
LOC	DIST	REVISIONS					
A	66	P	LTM	DESCRIPTION	DATE	DWN	APVD
		B		ECR-15-002706	18FEB2015	BW	JT
		C		ECR-19-002967	22FEB2019	TB	CT
		D		ECR-21-001634	09FEB2021	JWC	TE
		E		ECR-22-126112	11JAN2022	FJ	RK

-	2	2	1655785-9	SCR, BTN SKT HD CAP (M3 X 6)	262	
-	1	1	1976053-6	LOCATER BLOCK, TERMINAL	261	
-	1	1	2119641-1	FEED CAM, AIR FEED	248	
-	1	1	2119082-8	CAM, SNAIL, INSULATION ADJUSTMENT	244	
-	1	1	2079764-1	WASHER, WAVE SPRING, CREST-TO-CREST	243	
-	1	1	2119083-1	RETAINER, INSULATION DIAL	242	
-	1	1	2844940-3	AIR FEED MODULE	238	
-	1	1	1-18028-0	WASHER, FLAT, REG M8	192	
-	1	1	6-993111-6	PIN, SLOTTED SPRING 3.0 X 14.0	177	
-	1	1	8-22280-7	SPRING, COMPRESSION	176	
-	1	1	1752353-2	GUIDE PIN, HOLDDOWN	175	
-	1	1	1901680-2	GUIDE PIN, HOLDDOWN	174	
-	REF	REF	994970-2	COUNTER, MAGNETIC	164	
-	1	1	455888-4	SPACER, CRIMPER	82	
-	1	1	1803607-4	DOCUMENTATION PACKAGE	71	
-	2	2	2-18032-2	SCR, SET, FLT PNT, M3 X 10.0	70	
-	1	1	2119740-1	TAG, IDENTIFICATION	67	
-	2	2	2168078-1	SCREW, DRIVE, RH, RoHS, 2 x .188	66	
-	1	1	1901681-8	HOLDDOWN, TERMINAL	65	
-	2	2	2168400-5	SHCS, LOW HEAD, RoHS, M4 X 20	64	
-	1	1	2168083-2	SCR, SKT HD CAP, RoHS, M4 X 8.0	60	
-	1	1	5-18022-5	SCR, HEX HD CAP, M4 X 6.0	59	
-	3	3	2168400-4	SHCS, LOW HEAD, RoHS, M4 X 8	57	
-	2	2	2168083-3	SCR, SKT HD CAP, RoHS, M4 X 12.0	56	
-	2	2	5018030-1	NUT, HEX, REG, RoHS, M3	54	
-	2	2	986965-8	NUT, LOCK, HEX, TORQUE (M4)	53	
-	1	1	1-5018030-0	NUT, HEX, REG, RoHS, M3.5	52	
-	1	1	2063961-1	FEED FINGER	51	
-	1	1	1752354-7	STANDOFF, HOLD-DOWN	50	
-	1	1	18023-9	SCR, SKT HD CAP M4 X 6.0	49	
-	1	1	2119655-5	APPLICATOR BASIC ASSEMBLY, EF	46	
-	1	1	1803517-1	RAM ASSEMBLY, EF ATLANTIC	44	
-	1	1	1803602-1	SCR, BHSC, RoHS (M8 X 25)	41	
-	7	7	1-18028-2	WASHER, FLAT, REG M4	33	
-	2	2	2168083-9	SCR, SKT HD CAP, RoHS, M4 X 20	31	
-	2	2	2168083-2	SCR, SKT HD CAP, RoHS, M4 X 8.0	29	
-	1	1	240639-1	STRIPPER (MACHINING)	27	
-	2	2	1-2168083-5	SCR, SKT HD CAP, RoHS, M4 X 30	25	
-	1	1	1-1752371-3	PLATE, STRIP GUIDE	24	
-	1	1	240825-4	PLATE, STRIP HOLD DOWN	23	
-	2	2	2-22281-3	SPRING, COMPRESSION	22	
-	1	1	1803292-4	DRAG	20	
-	2	2	1901259-6	GUIDE, LOWER STRIP	18	
-	4	4	1-2079383-1	SCR, BHSC, RoHS (M6 X 12)	17	
-	1	1	1752360-1	SPACER, HOLD-DOWN	13	
-	1	1	240833-6	PLATE, REAR SHEAR	11	
-	-	-	-	-	10	
-	1	1	6-690482-3	PLATE, FRONT SHEAR	9	
-	1	2	1	2-1333220-6	ANVIL, COMBINATION, .120	8
-	1	1	1	1-2217206-0	BLADE, SLUG	7
-	1	1	1	7-240641-5	SPACER	5
-	1	1	1	238011-2	BLOCK, CRIMPER SPACER	4
-	1	2	1	5-2119784-2	CRIMPER, INSULATION O PREMIUM	3
-	1	1	1	1-455888-2	SPACER, CRIMPER	2
-	1	2	1	456409-4	CRIMPER, WIRE .120 "F" PREMIUM	1
-	77	72	2	PART NO	DESCRIPTION	ITEM NO

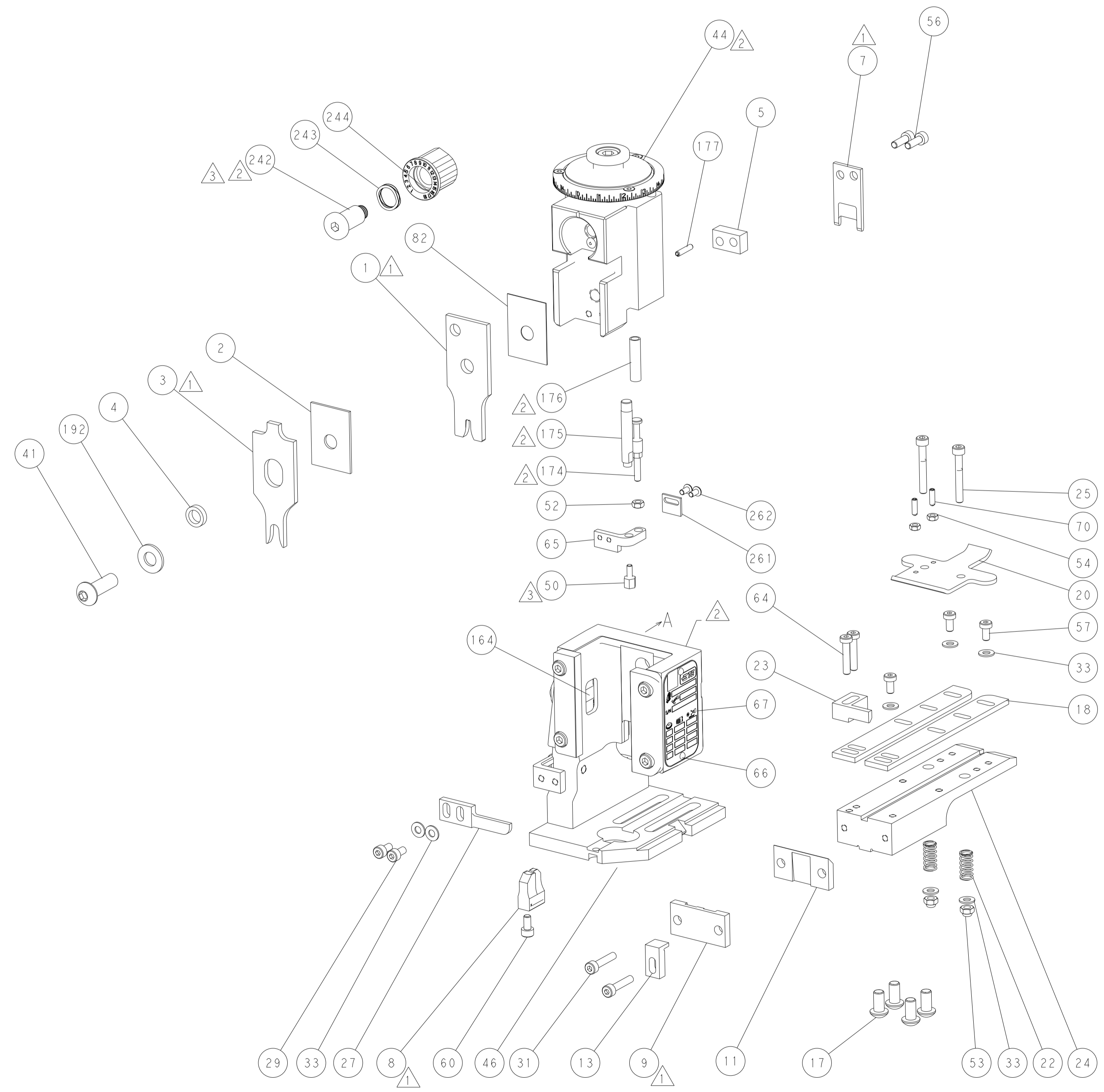
ATLANTIC VERSION
Shown on sheets 1 of 4 & 2 of 4
(Pacific version shown on sheets 3 of 4 & 4 of 4)

DIMENSIONS:		TOLERANCES UNLESS OTHERWISE SPECIFIED:		DRAWING NO		RESTRICTED TO	
mm	0 PLC ±	1 PLC ±	2 PLC ±	3 PLC ±	4 PLC ±	ANGLES ±	FINISH ±
MATERIAL				WEIGHT	SCALE	SHEET	REV
Customer Accessible Production Drawing				00779	1:1	1 of 4	E

LOC	DIST	REVISIONS			
P	LTN	DESCRIPTION	DATE	OWN	APVD
A	66	SEE SHEET 1	-	-	-

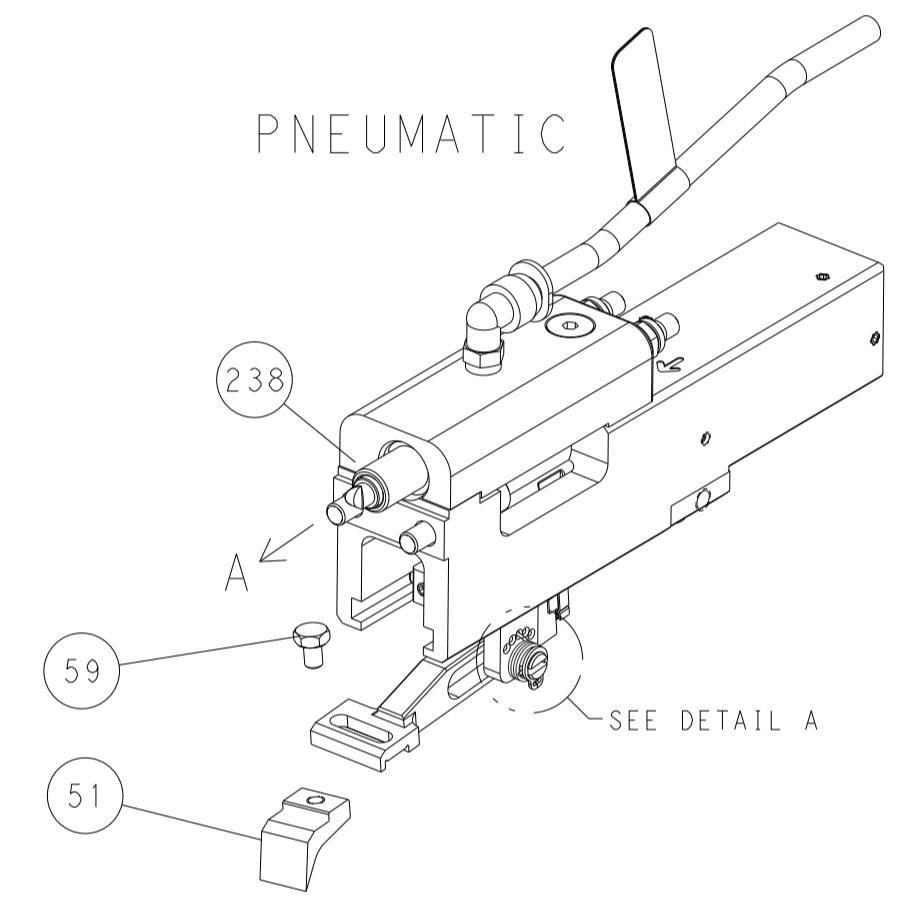


RAM AND HOLDDOWN SET-UP

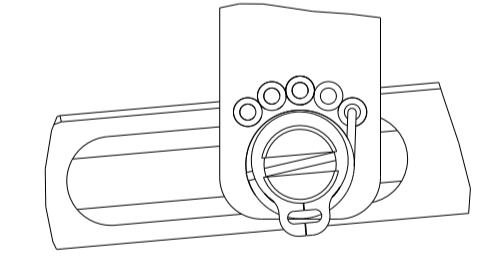


FEED TYPE

PNEUMATIC

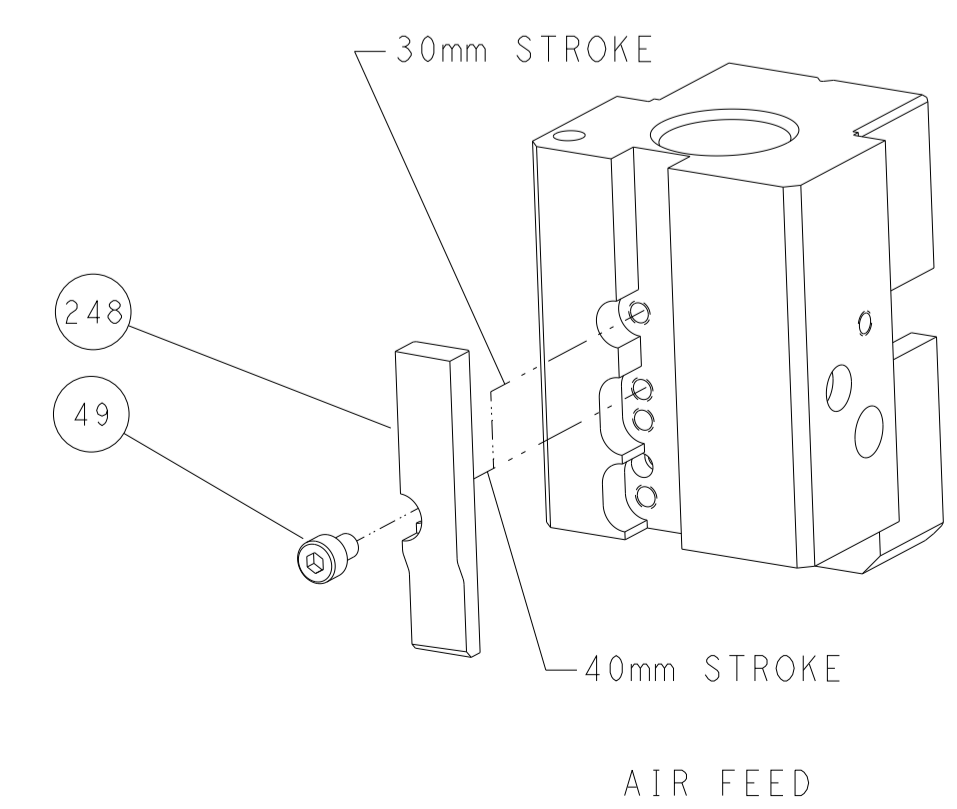


FEED SPRING SETTING POSITION



DETAIL A

CAM POSITION



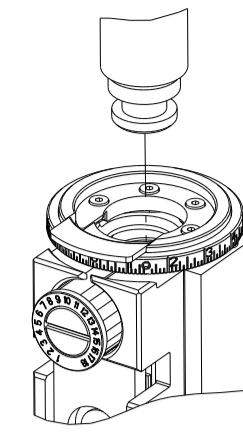
AIR FEED

ATLANTIC VERSION
 Shown on sheets 1 of 4 & 2 of 4
 (Pacific version shown on sheets 3 of 4 & 4 of 4)

<small>THIS DRAWING IS UNPUBLISHED. RELEASED FOR PUBLICATION 2012 BY TYCO ELECTRONICS CORPORATION. ALL RIGHTS RESERVED.</small> <small>THIS DRAWING IS CONTROLLED DOCUMENT FOR TYCO ELECTRONICS CORPORATION. IT IS THE PROPERTY OF TYCO ELECTRONICS CORPORATION AND IS NOT TO BE REPRODUCED OR TRANSMITTED IN ANY FORM OR BY ANY MEANS, ELECTRONIC OR MECHANICAL, INCLUDING PHOTOCOPYING, RECORDING, OR BY ANY INFORMATION STORAGE AND RETRIEVAL SYSTEM, WITHOUT THE WRITTEN PERMISSION OF TYCO ELECTRONICS CORPORATION.</small>		DWN C. CHEN 14MAY2012 CHK S. XI 14MAY2012 APVD J. CRUZ 14MAY2012	TE Connectivity Harrisburg, PA 17105-3608
DIMENSIONS: mm TOLERANCES UNLESS OTHERWISE SPECIFIED: 0 PLC ± 1 PLC ± 2 PLC ± 3 PLC ± 4 PLC ± ANGLES ° ± MATERIAL - FINISH -		NAME Ocean End Feed Applicator PRODUCT SPEC - APPLICATION SPEC - WEIGHT - SCALE 1:1	SIZE A1 CAGE CODE 00779 DRAWING NO. C=2150054 SHEET 2 OF 4 REV E
Customer Accessible Production Drawing			

8	7	6	5	4	3	2	1
THIS DRAWING IS UNPUBLISHED.		RELEASED FOR PUBLICATION		2012			
COPYRIGHT 2012 BY TYCO ELECTRONICS CORPORATION. ALL RIGHTS RESERVED.							
PART NUMBER	REVISION	DESCRIPTION	FEED TYPE				
2-2150054-2	E	FINE CRIMP HEIGHT ADJUST	PNEUMATIC				
7-2150054-7	A	CRIMP TOOLING KIT	-				

PACIFIC VERSION TERMINATOR
INTERFACE ADAPTER



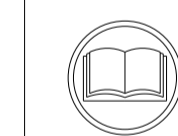
APPLICATOR DATA		
CRIMP	SIZE	TYPE
WIRE	3.05 mm [.120]	F
INSUL	5.90 mm [.232]	O
APPL INSTRUCTIONS 408-35043		

TERMINAL DATA: TE TERMINAL		TE CRIMP SPECIFICATION	
TERMINAL NAME: .187 SERIES POSITIVE LOCK RECEP			
WIRE STRIP LENGTH		INSULATION DIAMETER RANGE	
4.50-5.50 mm [.177-.217 IN]		Ø2.10-3.60 mm [.083-.142 IN]	
TERMINAL APPLICATION SPECIFICATION	114-5041	-	-
TERMINALS APPLIED			
TE TERMINAL	TE TERMINAL	TE TERMINAL	TE TERMINAL
170326-1	170326-5		

TERMINAL DATA: TE TERMINAL		TE CRIMP SPECIFICATION	
TERMINAL NAME: .187 SERIES POSITIVE LOCK RECEP			
WIRE STRIP LENGTH		INSULATION DIAMETER RANGE	
4.50-5.50 mm [.177-.217 IN]		Ø2.10-3.60 mm [.083-.142 IN]	
TERMINAL APPLICATION SPECIFICATION	114-5041	-	-
TERMINALS APPLIED			
TE TERMINAL	TE TERMINAL	TE TERMINAL	TE TERMINAL
1318306-1			

WIRE SIZE	CRIMP HEIGHT mm [INCH]	CRIMP HEIGHT REFERENCE SETTING
1.72-2.08mm ²	1.57+/-0.05 [.062+/- .002]	7.0
1.12-1.68mm ²	1.40+/-0.05 [.055+/- .002]	8.7
0.70-1.02mm ²	1.24+/-0.05 [.049+/- .002]	10.5

WIRE SIZE	CRIMP HEIGHT mm [INCH]	CRIMP HEIGHT REFERENCE SETTING
2.36-2.55mm ²	1.64+/-0.05 [.065+/- .002]	6.3
1.72-2.08mm ²	1.57+/-0.05 [.062+/- .002]	7.0
1.12-1.68mm ²	1.40+/-0.05 [.055+/- .002]	8.7
0.70-1.02mm ²	1.24+/-0.05 [.049+/- .002]	10.5



- RECOMMENDED SPARE PARTS
- REFER TO SUPPLIED INSTRUCTION SHEET FOR CLEANING, LUBRICATION AND STORAGE OF APPLICATOR.
- APPLY PART NUMBER 2-23419-6 LOCTITE TO THREADS OF ITEM 242. APPLY PART NUMBER 1-23419-5 LOCTITE TO THREADS OF ITEM 50.
- CRIMP HEIGHT REFERENCE SETTING WAS THE SETTING USED WHEN THE APPLICATOR WAS QUALIFIED AT THE FACTORY. ADJUSTMENT MAY BE NECESSARY WHEN RUNNING APPLICATOR IN THE FIELD.
- TERMINAL PITCH NOT COMPATIBLE WITH MECHANICAL FEED.
- 6. UNLESS SPECIFIED OTHERWISE TORQUE VALUES SHALL BE USED PER DOCUMENT, 101-35000.

***WARNING**
ON INSTALLATION, SET WIRE DISC TO CRIMP HEIGHT REFERENCE SETTING FOR LARGEST WIRE SIZE. CRIMP HEIGHT REFERENCE SETTINGS GREATER THAN THE VALUE SHOWN MAY CAUSE DAMAGE TO THE CRIMP TOOLING. REFER TO THE INSTRUCTION SHEET FOR PROPER SETUP AND ADJUSTMENTS.

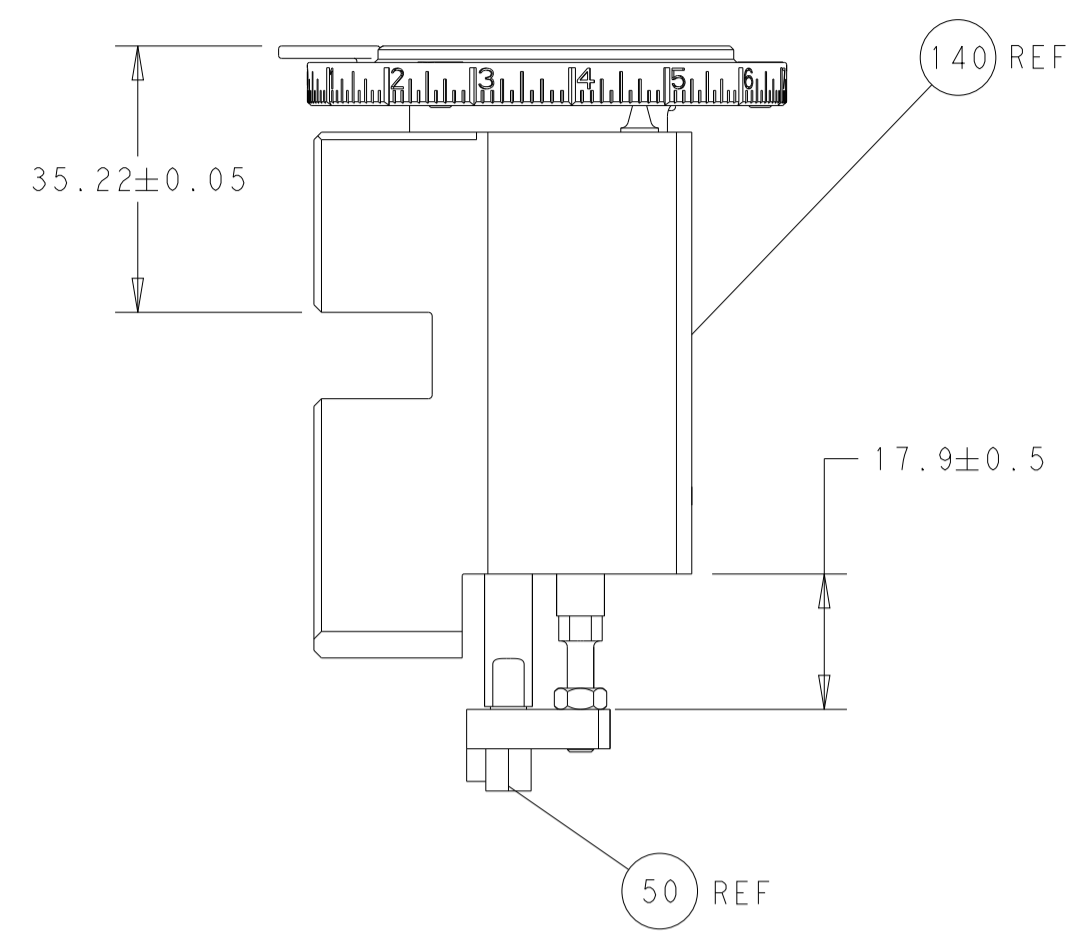
LOC	DIST	REVISIONS					
A	66	P	LTN	DESCRIPTION	DATE	DWN	APVD
		-		SEE SHEET 1	-	-	-

-	2	1655785-9	SCR, BTN SKT HD CAP (M3 X 6)	262
-	1	1976053-6	LOCATER BLOCK, TERMINAL	261
-	1	2119082-8	CAM, SNAIL, INSULATION ADJUSTMENT	244
-	1	2079764-1	WASHER, WAVE SPRING, CREST-TO-CREST	243
-	1	2119083-1	RETAINER, INSULATION DIAL	242
-	1	2844940-3	AIR FEED MODULE	238
-	1	1-18028-0	WASHER, FLAT, REG M8	192
-	4	2079383-9	SCR, BHSC, RoHS (M6 X 20)	186
-	1	6-993111-6	PIN, SLOTTED SPRING 3.0 X 14.0	177
-	1	8-22280-7	SPRING, COMPRESSION	176
-	1	1752353-2	GUIDE PIN, HOLDDOWN	175
-	1	1901680-2	GUIDE PIN, HOLDDOWN	174
-	REF	994970-2	COUNTER, MAGNETIC	164
-	1	2119641-2	FEED CAM, AIR FEED	152
-	1	2168083-8	SCR, SKT HD CAP, RoHS, M4 X 16	144
-	1	2119655-6	APPLICATOR BASIC ASSEMBLY, EF	141
-	1	1803518-1	RAM ASSEMBLY, EF PACIFIC	140
-	1	455888-4	SPACER, CRIMPER	82
-	1	1803607-4	DOCUMENTATION PACKAGE	71
-	2	2-18032-2	SCR, SET, FLT PNT, M3 X 10.0	70
-	1	2119740-1	TAG, IDENTIFICATION	67
-	2	2168078-1	SCREW, DRIVE, RH, RoHS, 2 x .188	66
-	1	1901681-8	HOLDDOWN, TERMINAL	65
-	2	2168400-5	SHCS, LOW HEAD, RoHS, M4 X 20	64
-	1	5-18022-5	SCR, HEX HD CAP, M4 X 6.0	59
-	3	2168400-4	SHCS, LOW HEAD, RoHS, M4 X 8	57
-	2	2168083-3	SCR, SKT HD CAP, RoHS, M4 X 12.0	56
-	2	5018030-1	NUT, HEX, REG, RoHS, M3	54
-	2	986965-8	NUT, LOCK, HEX, TORQUE (M4)	53
-	1	1-5018030-0	NUT, HEX, REG, RoHS, M3.5	52
-	1	2063961-1	FEED FINGER	51
-	1	1752354-7	STANDOFF, HOLD-DOWN	50
-	1	18023-9	SCR, SKT HD CAP M4 X 6.0	49
-	1	1803602-1	SCR, BHSC, RoHS (M8 X 25)	41
-	7	1-18028-2	WASHER, FLAT, REG M4	33
-	2	2168083-9	SCR, SKT HD CAP, RoHS, M4 X 20	31
-	2	2168083-2	SCR, SKT HD CAP, RoHS, M4 X 8.0	29
-	1	240639-1	STRIPPER (MACHINING)	27
-	2	1-2168083-5	SCR, SKT HD CAP, RoHS, M4 X 30	25
-	1	1-1752371-3	PLATE, STRIP GUIDE	24
-	1	240825-4	PLATE, STRIP HOLD DOWN	23
-	2	2-22281-3	SPRING, COMPRESSION	22
-	1	1803292-4	DRAG	20
-	2	1901259-6	GUIDE, LOWER STRIP	18
-	1	1752360-1	SPACER, HOLD-DOWN	13
-	1	240833-6	PLATE, REAR SHEAR	11
-	-	-	-	10
-	1	6-690482-3	PLATE, FRONT SHEAR	9
1	1	2-1333220-6	ANVIL, COMBINATION, .120	8
-	1	1-2217206-0	BLADE, SLUG	7
-	1	7-240641-5	SPACER	5
-	1	238011-2	BLOCK, CRIMPER SPACER	4
1	1	5-2119784-2	CRIMPER, INSULATION O PREMIUM	3
-	1	1-455888-2	SPACER, CRIMPER	2
1	1	456409-4	CRIMPER, WIRE .120 "F" PREMIUM	1
-	77-22	PART NO	DESCRIPTION	ITEM NO

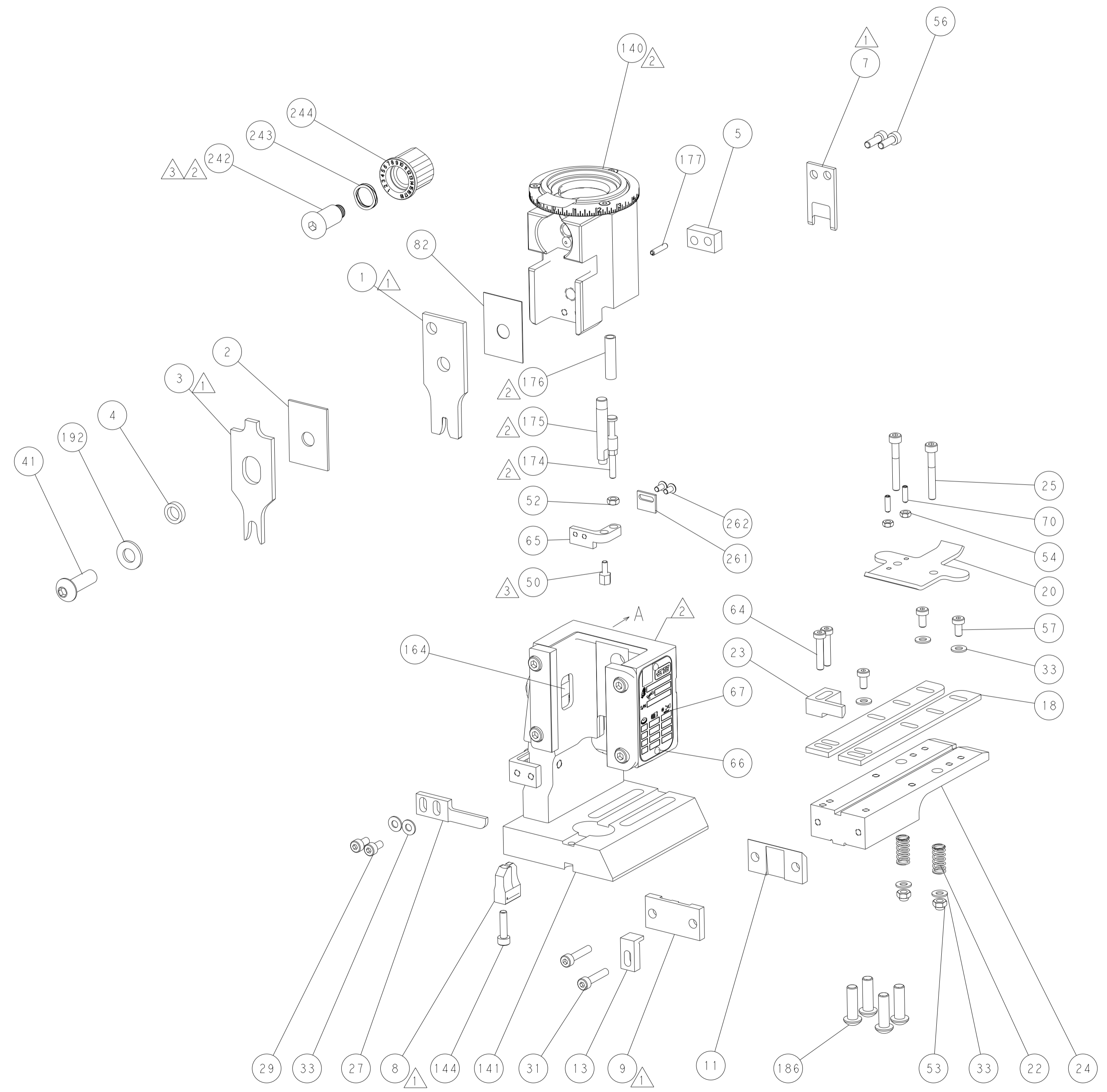
PACIFIC VERSION
Shown on sheets 3 of 4 & 4 of 4
(Atlantic version shown on sheets 1 of 4 & 2 of 4)

DIMENSIONS: mm		TOLERANCES UNLESS OTHERWISE SPECIFIED:		DWN C. CHEN 14MAY2012		CHK S. XI 14MAY2012		APVD J. CRUZ 14MAY2012		NAME	
		0 PLC ±	1 PLC ±	2 PLC ±	3 PLC ±	4 PLC ±	ANGLES ±	TE Connectivity Harrisburg, PA 17105-3608			
MATERIAL		FINISH		APPLICATION SPEC		PRODUCT SPEC		SIZE		RESTRICTED TO	
								A1 00779 ©=2150054		Customer Accessible Production Drawing	
								SCALE 1:1		SHEET 3 OF 4 REV E	

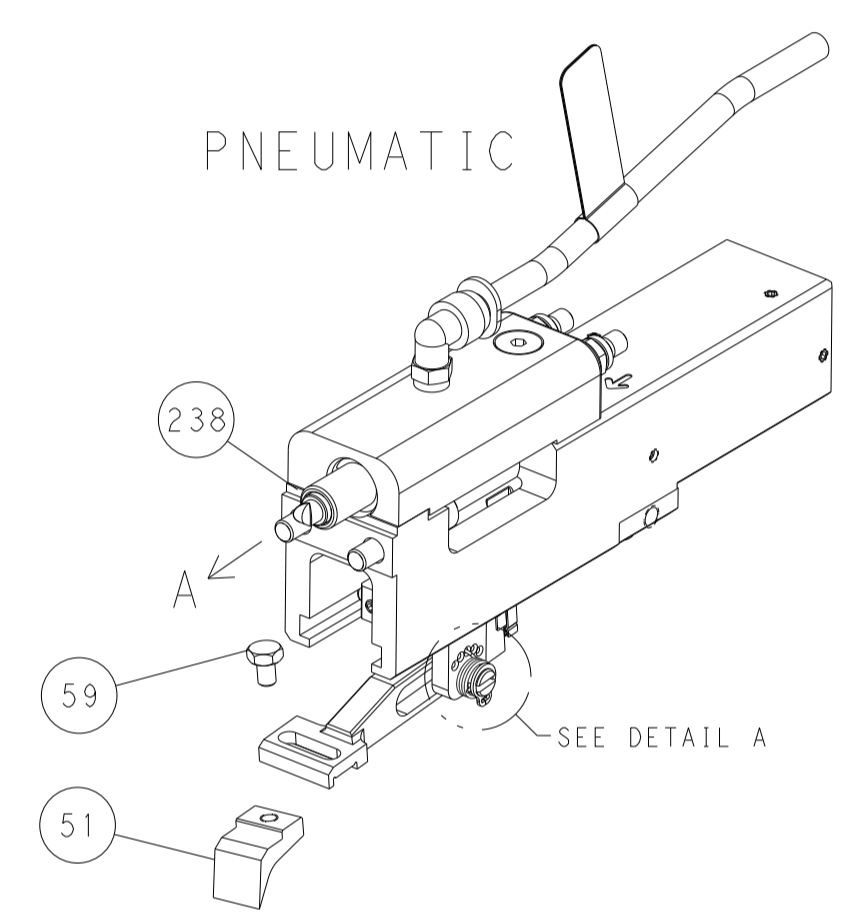
LOC	DIST	REVISIONS			
P	LTN	DESCRIPTION	DATE	DWN	APVD
A	66	SEE SHEET 1	-	-	-



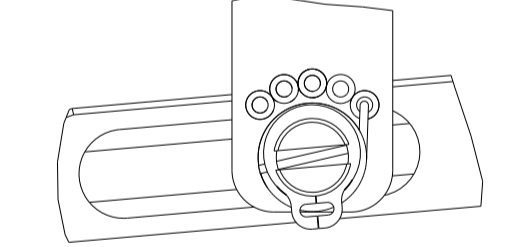
RAM AND HOLDDOWN SET-UP



FEED TYPE

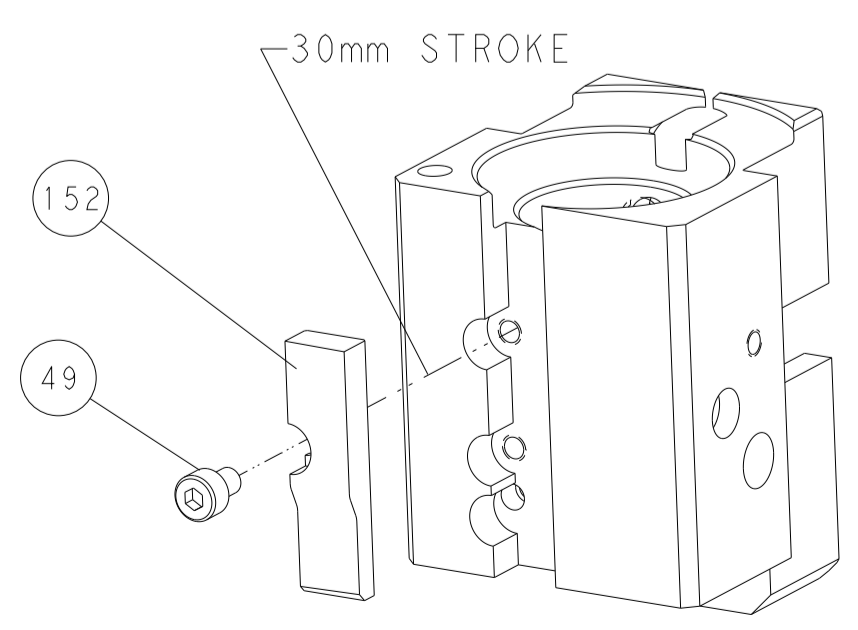


FEED SPRING SETTING POSITION



DETAIL A

CAM POSITION



AIR FEED

PACIFIC VERSION
 Shown on sheets 3 of 4 & 4 of 4
 (Atlantic version shown on sheets 1 of 4 & 2 of 4)

<small>THIS DRAWING IS UNPUBLISHED. RELEASED FOR PUBLICATION 2012 BY TYCO ELECTRONICS CORPORATION. ALL RIGHTS RESERVED.</small>		DWN C. CHEN 14MAY2012 CHK S. XI 14MAY2012 APVD J. CRUZ 14MAY2012	TE Connectivity Harrisburg, PA 17105-3608
DIMENSIONS: mm 		TOLERANCES UNLESS OTHERWISE SPECIFIED: 0 PLC ± 1 PLC ± 2 PLC ± 3 PLC ± 4 PLC ± ANGLES ± FINISH ±	NAME Ocean End Feed Applicator PRODUCT SPEC APPLICATION SPEC SIZE CAGE CODE DRAWING NO RESTRICTED TO A 00779 C=2150054 Customer Accessible Production Drawing SCALE 1:1 SHEET 4 OF 4 REV E