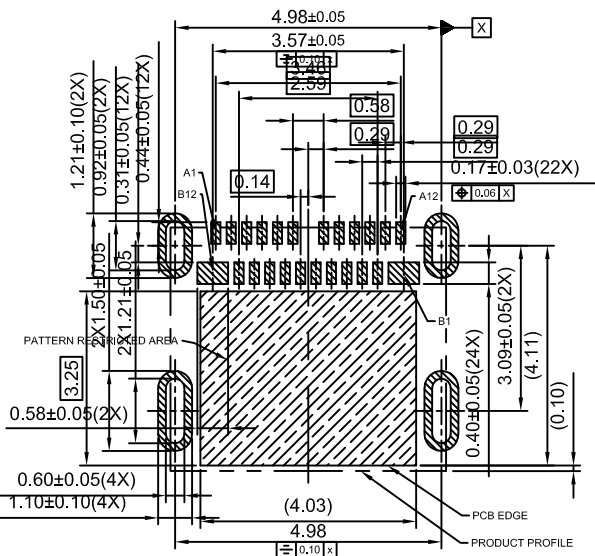
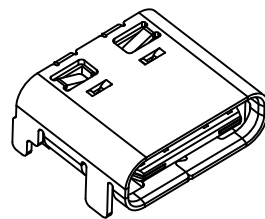


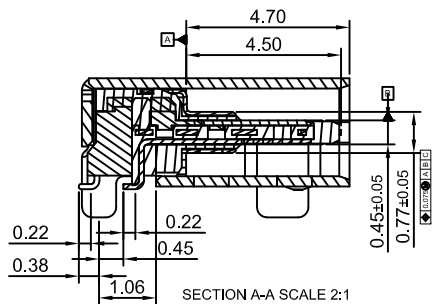
SECTION B-B SCALE 1:1

SPECIFICATION:

1. CURRENT RATING: 3.0A MAX
2. VOLTAGE: 5V DC(RMS)
3. TEMPERATURE RANGE: -55 °C ~ 85 °C
4. CONTACT RESISTANCE: 100 MEGOHMS MAX
5. INSULATION RESISTANCE: 100 MEGOHMS MIN.
6. INSERTION FORCE : 5N~20N
7. UNMATING FORCE: 8N~20N
8. DURABILITY: 10,000 CYCLES



RECOMMENDED PCB LAYOUT(TOP VIEW) DEFAULT TOLERANCE:±0.05



SECTION A-A SCALE 2:1



G-Switch Electronic (HongKong) CO.,Ltd.

Unless otherwise specified, Tolerance:
 X. ±0.30
 X.x ±0.20
 X.xx ±0.15
 X.xxx ±0.10
 Angles ±3°

DESIGN Yu Chen DATE 2022.06.01
 CHECKED DATE
 APPROVED DATE
<http://www.dg-switch.com>
 TEL:0769-82388879

Molde code:
 GT-USB-7013M
 REV.: X1 SCALE: 4:1 UNIT: mm
 SIZE: A4 SHEET: 1/1

