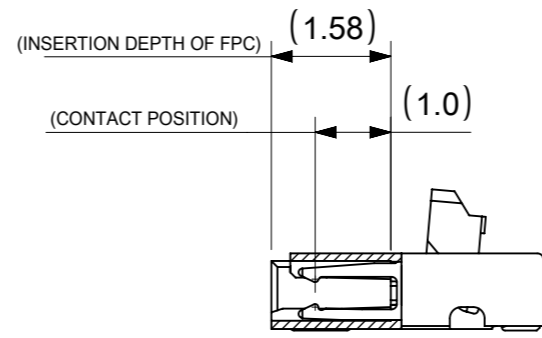
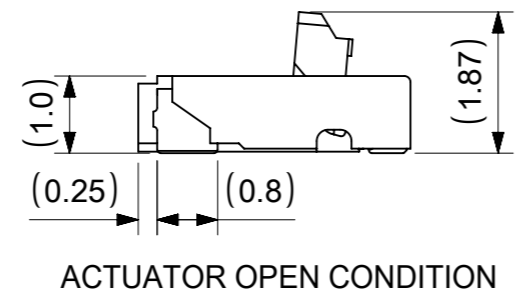
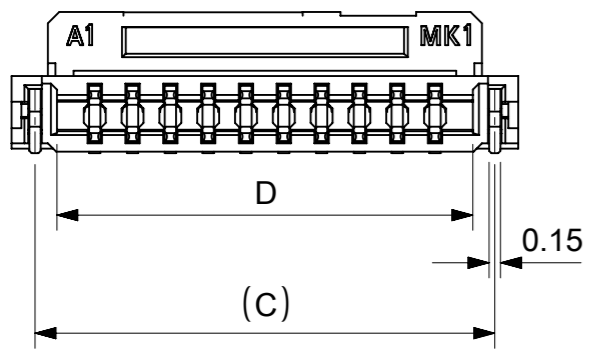
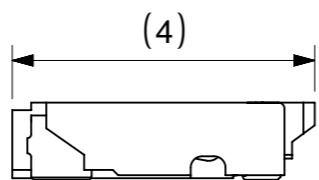
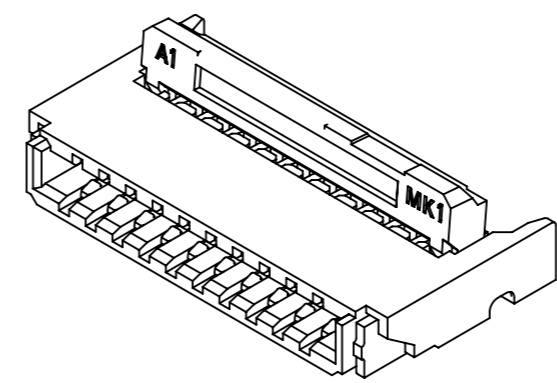


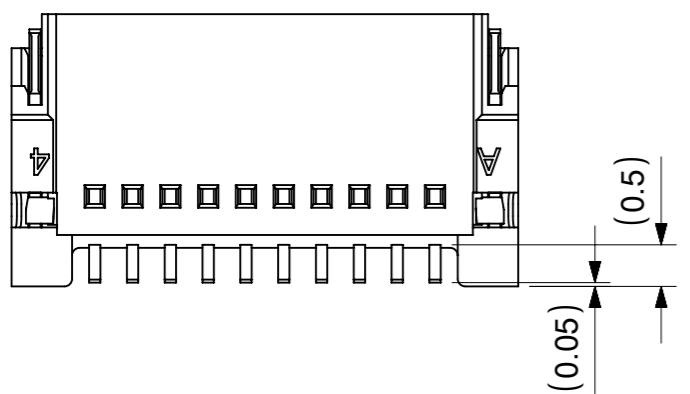
METAL MASK THICKNESS : 0.1mm
 OPENING AREA : TERM.(0.7X0.3)
 NAIL(1.0X0.3)



SECTION Y-Y



ACTUATOR CLOSED CONDITION

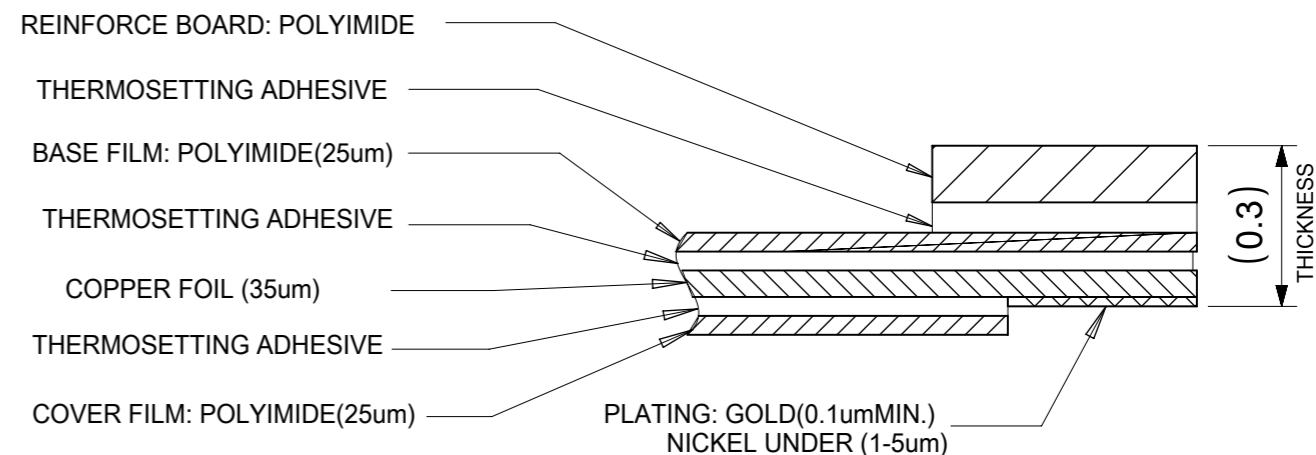
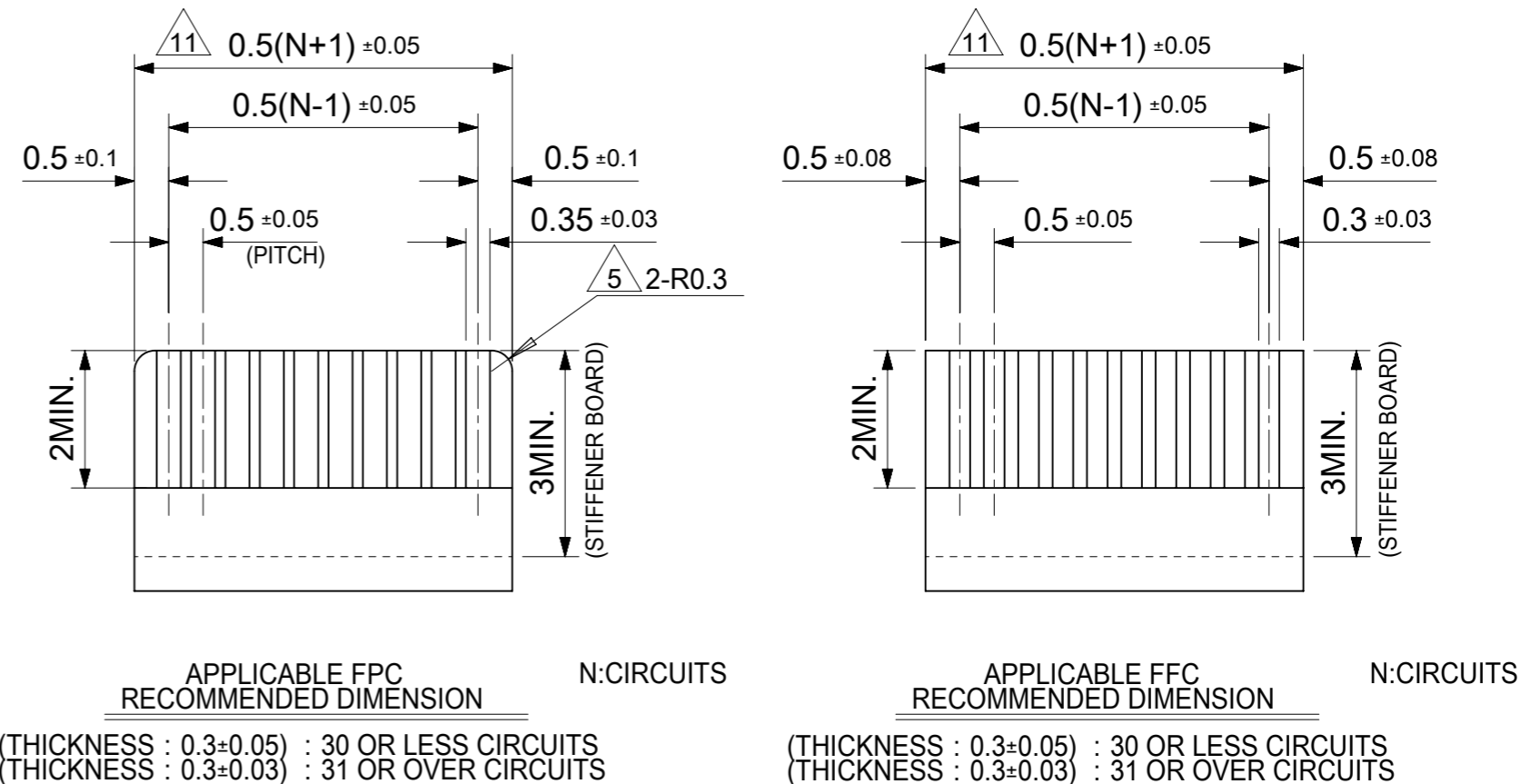


3.5	4.08	2.5	4.7	503480-0640	6
3.0	3.58	2.0	4.2	503480-0540	5
2.5	3.08	1.5	3.7	503480-0440	4
D	C	B	A	EMBOSSED PACKAGE	CIRCUIT
				ORDER NO.	
CONNECTOR SERIES No. 503480-**49					

FUNCTIONAL SYMBOLS	THIS DRAWING CONTAINS INFORMATION THAT IS PROPRIETARY TO MOLEX ELECTRONIC TECHNOLOGIES, LLC AND SHOULD NOT BE USED WITHOUT WRITTEN PERMISSION	CURRENT REV DESC:		molex				
	DIMENSION UNITS: mm SCALE: 10:1 GENERAL TOLERANCES (UNLESS SPECIFIED): ANGULAR TOL ± 1.0° 4 PLACES ± 0.2 3 PLACES ± 0.2 2 PLACES ± 0.2 1 PLACE ± 0.2 0 PLACES ± 0.2	EC NO: 676145 DRWN: DWLEE02 CHK'D: SHCHU APPR: SHCHU INITIAL REVISION: DRWN: YRKIM APPR: YSKIM02			2020/10/13 2021/09/02 2021/09/02 2014/06/11 2014/07/15	0.5 FPC CONN. E/O BACKFLIP H=1.0MM ASSEMBLY PRODUCT CUSTOMER DRAWING		
DIVISIONAL SYMBOLS	DRAFT WHERE APPLICABLE MUST REMAIN WITHIN DIMENSIONS	THIRD ANGLE PROJECTION	DRAWING: A3-SIZE	SERIES: 503480	DOCUMENT NUMBER: SD-503480-003	DOC TYPE: PSD	DOC PART: 001	REVISION: B2

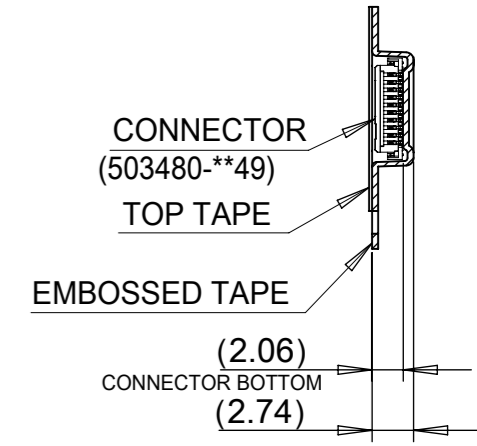
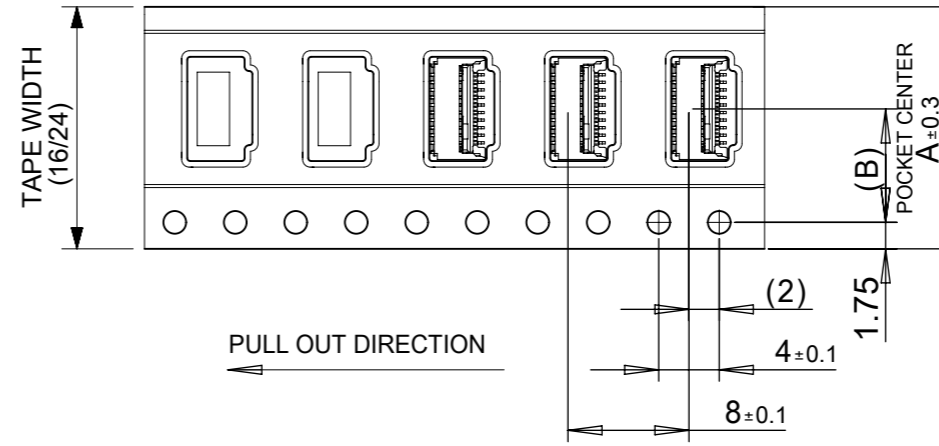
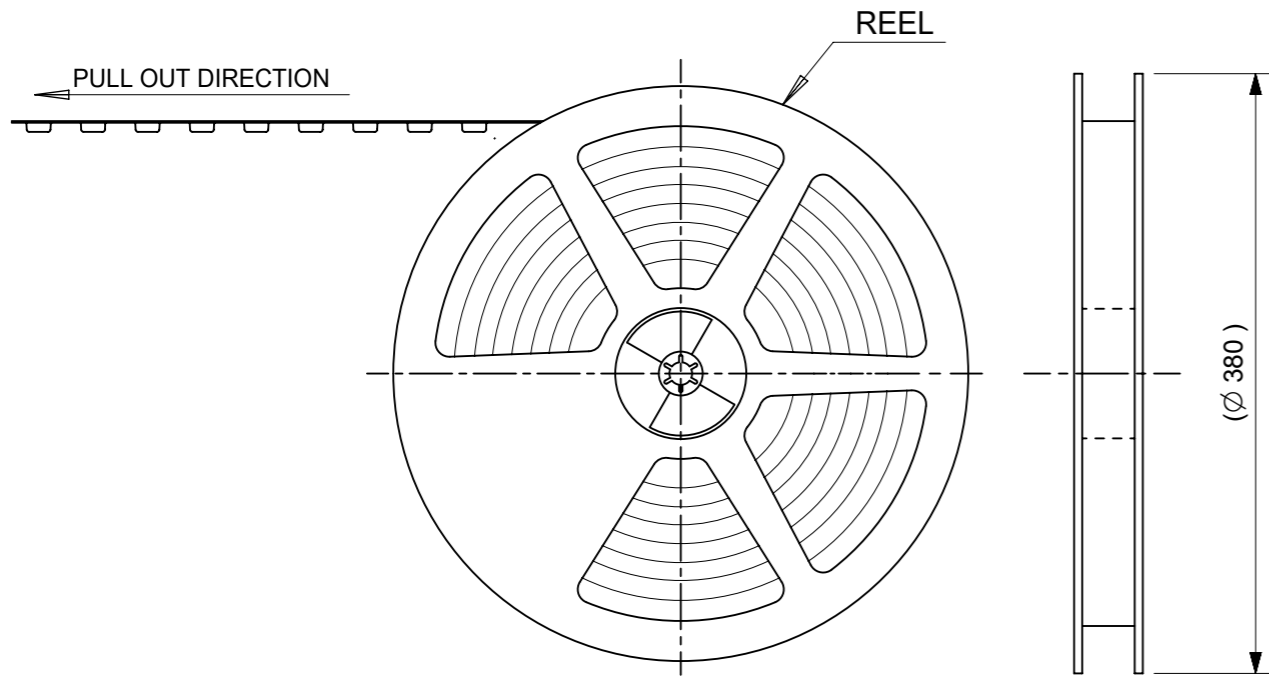
NOTES

1. PART COMPOSITION
 HOUSING MATERIAL: LIQUID CRYSTAL POLYMER(LCP),
 GLASS FILLED, UL94V-0, NATURAL(WHITE)
 TERMINAL MATERIAL: PHOSPHOR BRONZE
 CONTACT AREA : SEPARATED GOLD PLATING
 (0.1 MICROMETER MINIMUM)
 SOLDER TAIL AREA : SEPARATED GOLD PLATING
 UNDERPLATE : NICKEL OVERALL
 (1.0 MICROMETER MINIMUM)
 ACTUATOR MATERIAL : POLYAMIDE(PA), GLASS FILLED,
 UL94 HB, BLACK
 NAIL MATERIAL: PHOSPHOR BRONZE
 SOLDER TAIL AREA : TIN OVERALL(1.0 MICROMETER MINIMUM)
 UNDERPLATE : NICKEL OVERALL(1.0 MICROMETER MINIMUM)
2. PLEASE DO NOT OPERATE THE ACTUATOR BEFORE MOUNTING.
3. PLEASE OPERATE THE ACTUATOR AFTER INSERTING THE FPC INTO THE CONNECTOR.
4. ABOUT FPC
 RECOMMENDED STIFFENER MATERIAL: POLYIMIDE
 RECOMMENDED BASE FILM THICKNESS: 25 MICROMETER
 RECOMMENDED ADHESIVE: THERMOSETTING ADHESIVE
 NOTE: PLEASE PUT APPROPRIATE AMOUNT OF ADHESIVE ON ADHEREND BECAUSE THERE IS A POSSIBILITY THAT THE EXTRA ADHESIVE CAUSES THE DEFECT IN ELECTRICAL CONTINUITY.
 RECOMMENDED PUNCHER DIRECTION: FROM CONDUCTOR SIDE TO STIFFENER FILM SIDE.
 RECOMMENDED CONDUCTOR SPECIFICATION: THICKNESS OF SOFT COPPER FOIL: 35MICROMETER
5. R0.3 MUST NOT BE OVERLAPPED TO PATTERN OF FPC.
6. COPLANARITY : 0.1 MAXIMUM
8. PLEASE RECOGNIZE A POSSIBILITY TO CHANGE THE SHAPE OF THE PART THAT DOES NOT OBSTRUCT A FUNCTION, BY CIRCUMSTANCES IN OUR PRODUCTION.
9. THIS PRODUCT IS DELIVERED WITH THE ACTUATOR IN THE OPEN POSITION.
10. THIS PRODUCT IS DUAL-CONTACT (TOP- AND BOTTOM-CONTACTS) TYPE CONNECTOR.
11. PLEASE CONFIRM TO INSERT FPC IN ADVANCE WHEN FPC WIDTH IS OVER $0.5(N+1)+0.02$.



STRUCTURE OF FPC

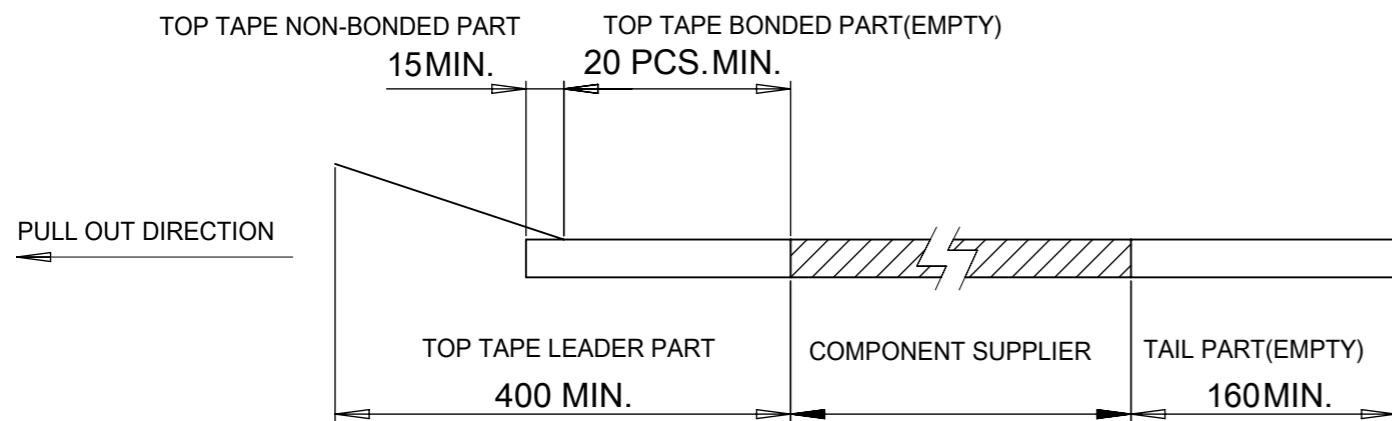
FUNCTIONAL SYMBOLS	THIS DRAWING CONTAINS INFORMATION THAT IS PROPRIETARY TO MOLEX ELECTRONIC TECHNOLOGIES, LLC AND SHOULD NOT BE USED WITHOUT WRITTEN PERMISSION	CURRENT REV DESC:		molex																													
	<table border="1"> <tr> <th>FUNCTIONAL SYMBOLS</th> <th>DIMENSION UNITS</th> <th>SCALE</th> </tr> <tr> <td>$\nabla_A = 0$</td> <td>mm</td> <td>10:1</td> </tr> <tr> <td colspan="3">GENERAL TOLERANCES (UNLESS SPECIFIED)</td> </tr> <tr> <td>$\nabla_E = 0$</td> <td colspan="2">ANGULAR TOL ± 1.0°</td> </tr> <tr> <td>$\nabla_F = 0$</td> <td>4 PLACES</td> <td>± 0.2</td> </tr> <tr> <td></td> <td>3 PLACES</td> <td>± 0.2</td> </tr> <tr> <td></td> <td>2 PLACES</td> <td>± 0.2</td> </tr> <tr> <td></td> <td>1 PLACE</td> <td>± 0.2</td> </tr> <tr> <td></td> <td>0 PLACES</td> <td>± 0.2</td> </tr> </table>	FUNCTIONAL SYMBOLS	DIMENSION UNITS				SCALE	$\nabla_A = 0$	mm	10:1	GENERAL TOLERANCES (UNLESS SPECIFIED)			$\nabla_E = 0$	ANGULAR TOL ± 1.0°		$\nabla_F = 0$	4 PLACES	± 0.2		3 PLACES	± 0.2		2 PLACES	± 0.2		1 PLACE	± 0.2		0 PLACES	± 0.2	EC NO: 676145 DRWN: DWLEE02 2020/10/13 CHK'D: SHCHU 2021/09/02 APPR: SHCHU 2021/09/02	
FUNCTIONAL SYMBOLS	DIMENSION UNITS	SCALE																															
$\nabla_A = 0$	mm	10:1																															
GENERAL TOLERANCES (UNLESS SPECIFIED)																																	
$\nabla_E = 0$	ANGULAR TOL ± 1.0°																																
$\nabla_F = 0$	4 PLACES	± 0.2																															
	3 PLACES	± 0.2																															
	2 PLACES	± 0.2																															
	1 PLACE	± 0.2																															
	0 PLACES	± 0.2																															
DIVISIONAL SYMBOLS	INITIAL REVISION:			PRODUCT CUSTOMER DRAWING																													
	DRWN: YRKIM 2014/06/11			DOCUMENT NUMBER	DOC TYPE	DOC PART	REVISION																										
	APPR: YSKIM02 2014/07/15			SD-503480-003	PSD	001	B2																										
DRAFT WHERE APPLICABLE MUST REMAIN WITHIN DIMENSIONS		THIRD ANGLE PROJECTION	DRAWING	SERIES	MATERIAL NUMBER	CUSTOMER	SHEET NUMBER																										
			A3-SIZE	503480	SEE TABLE	GENERAL MARKET	2 OF 2																										



DIRECTION OF CONNECTOR IN EMBOSSSED TAPE

NOTES

1. IN THE PACKAGE, PART NO. 503480-**49 DETAILED DIMENSIONS. REFER TO SD-503480-003.
2. NUMBER OF CONNECTORS : 4500PCS/REEL
- 3 LEAD TAPE LENGTH



4. MATERIAL
 CARRIER TAPE : PET
 TOP TAPE : PET, OTHER
 REEL : PS <RECYCLE MATERIAL CONTAINED>

5 . COVER TAPE PEEL FORCE IS DEFINED BY IEC60286-3.

7.5	16	16	503480-0640	6
			503480-0540	5
			503480-0440	4
B	A	TAPE WIDTH	ORDER NO.	CIRCUIT

10 UNDER : ±0.20
10 OVER 30 UNDER : ±0.25
30 OVER : ±0.30

FUNCTIONAL SYMBOLS ∇/A = 0 ∇/E = 0 ∇/V = 0	THIS DRAWING CONTAINS INFORMATION THAT IS PROPRIETARY TO MOLEX ELECTRONIC TECHNOLOGIES, LLC AND SHOULD NOT BE USED WITHOUT WRITTEN PERMISSION	SCALE mm NTS	CURRENT REV DESC:	
	GENERAL TOLERANCES (UNLESS SPECIFIED) ANGULAR TOL ± 3.0°	EC NO: 676145 DRWN: ICYANG CHK'D: SHCHU APPR: SHCHU	2021/07/29 2021/09/02 2021/09/02	
DIVISIONAL SYMBOLS	INITIAL REVISION: DRWN: YRKIM APPR: YSKIM02	2014/06/11 2014/07/15	PRODUCT CUSTOMER DRAWING	
	DRAFT WHERE APPLICABLE MUST REMAIN WITHIN DIMENSIONS	THIRD ANGLE PROJECTION	DRAWING A3-SIZE	SERIES 503480
			MATERIAL NUMBER GENERAL MARKET	CUSTOMER GENERAL MARKET
			DOCUMENT NUMBER SD-503480-004	DOC TYPE PSD
			DOC PART 001	REVISION D1
			SHEET NUMBER 1 OF 1	