

Interface module - UM 45-DO/LA/SIM8



2968195

<https://www.phoenixcontact.com/us/products/2968195>

Please be informed that the data shown in this PDF document is generated from our Online Catalog. Please find the complete data in the user documentation. Our General Terms of Use for Downloads are valid.



VARIOfACE indicator module, with flat-ribbon cable and COMBICON connector, for simulation, for 8 signals, for mounting on NS 35/7.5

Commercial Data

Item number	2968195
Packing unit	1 pc
Minimum order quantity	1 pc
Note	Made to Order (non-returnable)
Sales Key	C02
Product Key	CK2261
Catalog Page	Page 535 (C-5-2017)
GTIN	4017918173692
Weight per Piece (including packing)	83.3 g
Weight per Piece (excluding packing)	83.3 g
Customs tariff number	85369010
Country of origin	DE

Technical Data

Product properties

Product type	Controller board
--------------	------------------

Insulation characteristics

Overvoltage category	II
Pollution degree	2
Insulation	Functional insulation

Electrical properties

Nominal voltage U_N	30 V DC
Max. current carrying capacity per branch	1 A
Max. total current of all branches	3 A (FLK connector)
Max. total current of voltage supply	8 A (+, - terminal block) 3 A (+, - FLK)
Rated insulation voltage	50 V
Rated surge voltage	0.5 kV

Supported controller SIEMENS S7-400

Suitable I/O card	6ES7422-1BL00-0AA0 6ES7422-7BL00-0AB0
-------------------	--

Supported controller GE-FANUC 90-30

Suitable I/O card	IC693 MDL732 IC693 MDL740 IC693 MDL742
-------------------	--

Supported controller ALLEN-BRADLEY ControlLogix

Suitable I/O card	1756-OB32 1756-OB16E
-------------------	-------------------------

Supported controller ALLEN-BRADLEY PLC 5

Suitable I/O card	1771 OBN
-------------------	----------

Supported controller ALLEN-BRADLEY SLC 500

Suitable I/O card	1746 OB16 1746 OB 32
-------------------	-------------------------

Supported controller HONEYWELL Experion PKS C200

Suitable I/O card	TC-ODD 321
-------------------	------------

Supported controller MITSUBISHI MELSEC Q

Suitable I/O card	QY81P
-------------------	-------

Supported controller SIEMENS S7-300 / ET 200 M

	CPU 313C-2DP
--	--------------

Interface module - UM 45-DO/LA/SIM8



2968195

<https://www.phoenixcontact.com/us/products/2968195>

Suitable I/O card	CPU 314C-2DP
	CPU 314C-2PtP
	6ES7322-1BH01-0AA0
	6ES7322-1BL00-0AA0
	6ES7323-1BH01-0AA0
	6ES7323-1BL00-0AA0
	CPU 313C
	CPU 313C-2PtP

Supported controller ABB S800 I/O

Suitable I/O card	DO810
	DO840

Supported controller EMERSON DeltaV

Suitable I/O card	VE4002S1T1B3
	VE4002S1T2B3
	VE4002S1T2B3 Series 2
	VE4002S1T2B6

Supported controller GE-FANUC RX3i

Suitable I/O card	IC694MDL754
-------------------	-------------

Connection data

Field level

Connection method	Pluggable screw connection
Stripping length	8 mm
Screw thread	M3
Conductor cross section solid	0.14 mm ² ... 1.5 mm ²
Conductor cross section flexible	0.14 mm ² ... 1.5 mm ²
Conductor cross section AWG	28 ... 16

Controller level

Connection method	IDC/FLK pin strip
Number of connections	1
Number of positions	14
Pitch	2.54 mm

LED signaling

Status display present	yes
------------------------	-----

Dimensions

Width	75 mm
Height	50 mm
Depth	51 mm

Material specifications

Interface module - UM 45-DO/LA/SIM8



2968195

<https://www.phoenixcontact.com/us/products/2968195>

Housing insulation material	PVC
-----------------------------	-----

Environmental and real-life conditions

Ambient conditions

Degree of protection	IP00
Ambient temperature (operation)	-20 °C ... 50 °C
Ambient temperature (storage/transport)	-20 °C ... 70 °C

Approval data

UKCA

Certificate	UKCA-compliant
-------------	----------------

Standards and regulations

Standards/regulations	DIN EN 50178
	IEC 60664

Mounting

Mounting type	DIN rail mounting
Mounting position	any

Interface module - UM 45-DO/LA/SIM8

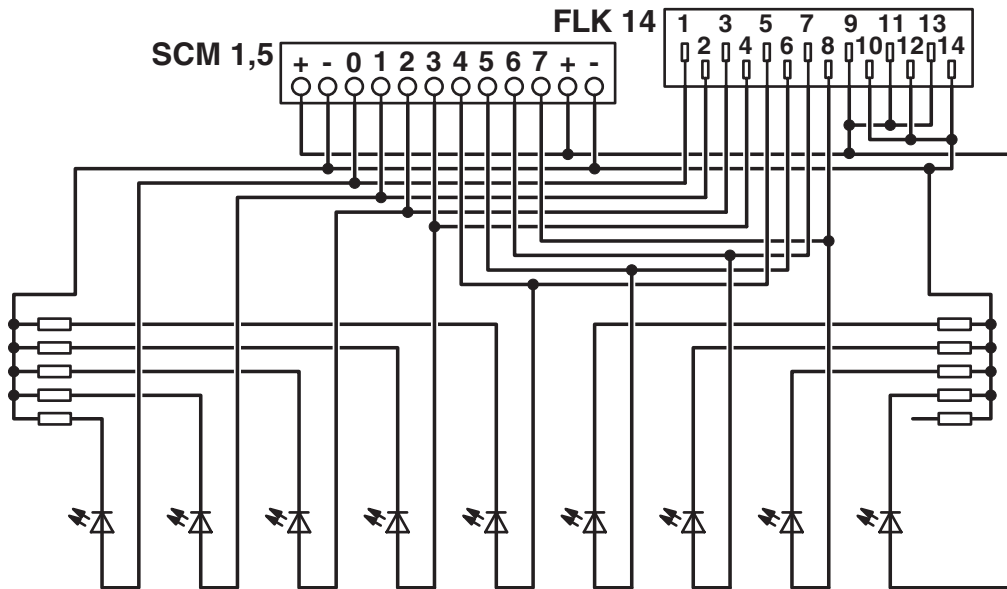


2968195

<https://www.phoenixcontact.com/us/products/2968195>

Drawings

Circuit diagram



Interface module - UM 45-DO/LA/SIM8



2968195

<https://www.phoenixcontact.com/us/products/2968195>

Classifications

ECLASS

ECLASS-9.0	27141152
ECLASS-10.0.1	27141152
ECLASS-11.0	27141152

ETIM

ETIM 8.0	EC002780
----------	----------

UNSPSC

UNSPSC 21.0	39121400
-------------	----------

Interface module - UM 45-DO/LA/SIM8



2968195

<https://www.phoenixcontact.com/us/products/2968195>

Environmental Product Compliance

REACH SVHC	Hexahydromethylphthalic anhydride
China RoHS	Environmentally Friendly Use Period = 50 years
	For information on hazardous substances, refer to the manufacturer's declaration available under "Downloads"

Phoenix Contact 2022 © - all rights reserved

<https://www.phoenixcontact.com>

Phoenix Contact USA
586 Fulling Mill Road
Middletown, PA 17057, United States
(+717) 944-1300
info@phoenixcon.com