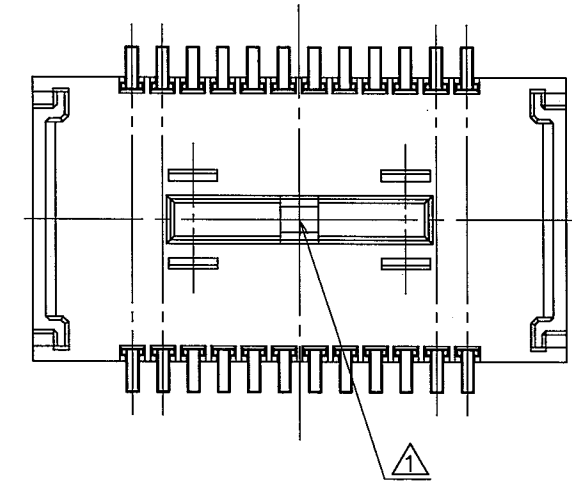
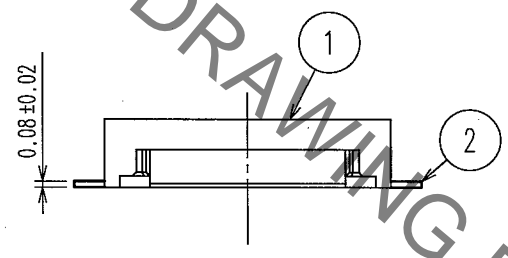
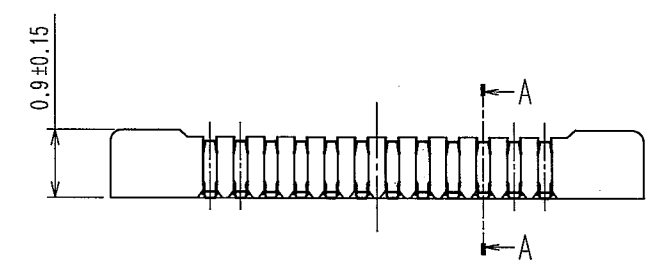
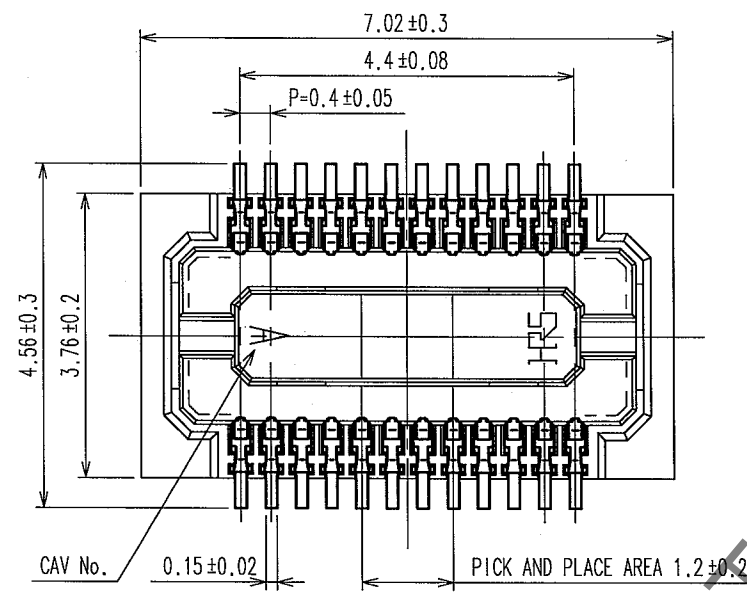
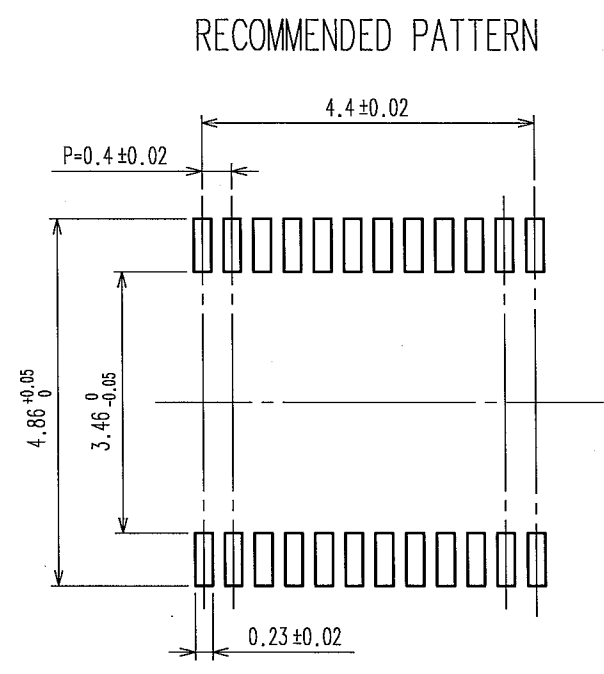


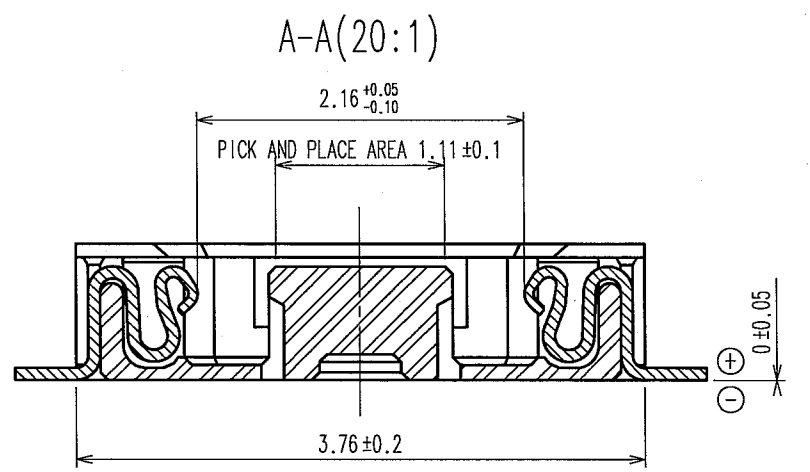
Dec.1.2022 Copyright 2022 HIROSE ELECTRIC CO., LTD. All Rights Reserved.
In case of consideration for using Automotive equipment / device which demand high reliability, kindly contact our sales window correspondents.



COUNT	DESCRIPTION OF REVISIONS	BY	CHKD	DATE	COUNT	DESCRIPTION OF REVISIONS	BY	CHKD	DATE
1	DIS-H-001096	A.A	T.M	06.06.29					



RECOMMENDED SOLDER PASTE: THICKNESS 120μm



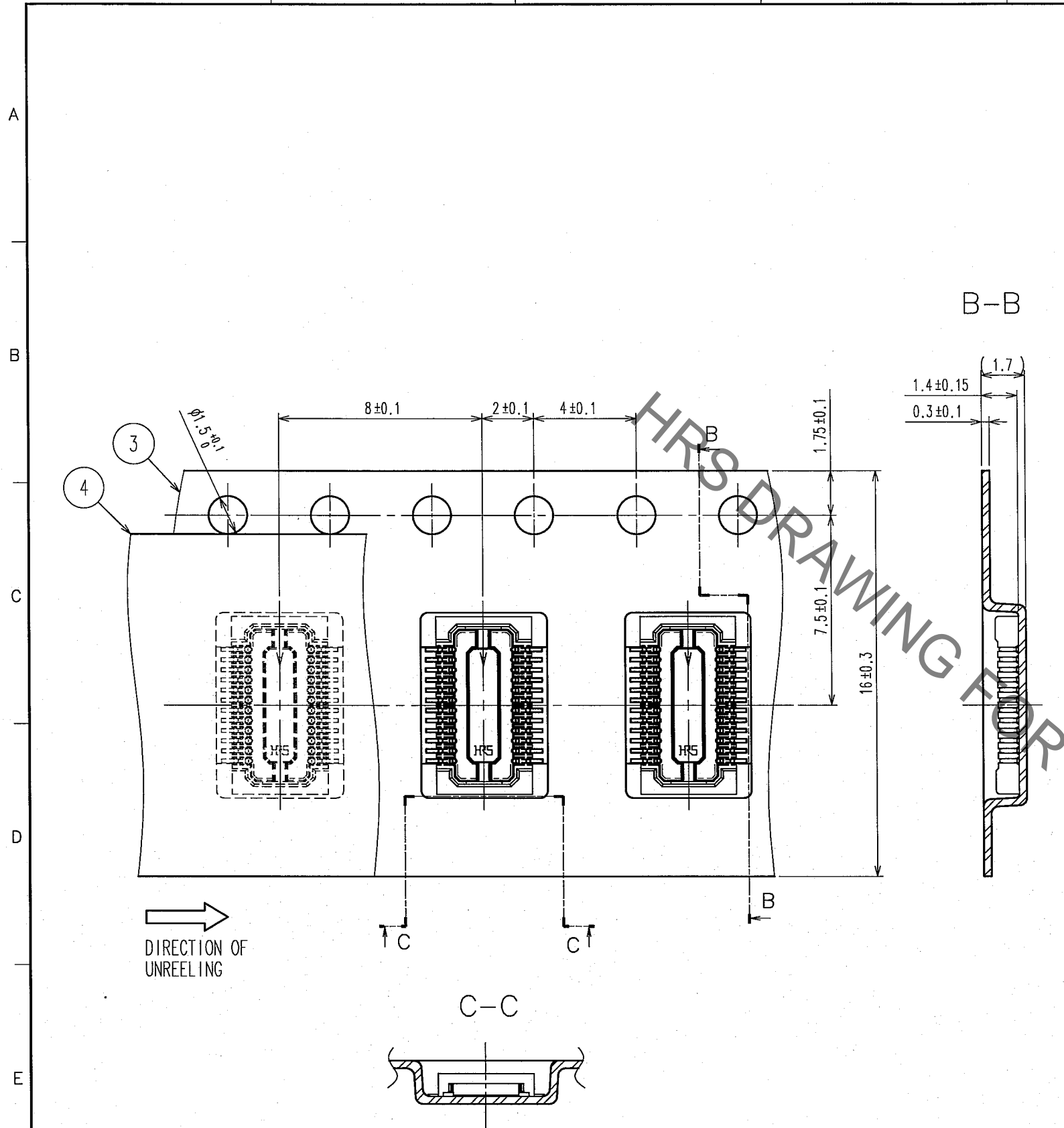
- NOTE 1. ALL LEADS CO-PLANARITY SHALL BE 0.1 MAX.
 2. PER REEL : 5000 CONNECTORS.
 3. AT THE BEGINNING OF THE REEL, 100 MM AT MIN SHALL BE EMPTY POCKETS.
 AT THE END OF THE REEL, 160 MM AT MIN SHALL BE EMPTY POCKETS.
 4. CONTACT PLATING SPECIFICATIONS.
 CONTACT AREA : GOLD 0.05μm MIN.
 SMT LEAD : GOLD 0.02μm MIN.
 UNDERPLATING : NICKEL 1μm MIN.
 (SURFACE : SEALING)

2	PHOSPHOR BRONZE	4	5	PS	PLASTIC REEL (BLACK)
1	LCP	UL94V-0, BLACK	4	POLYESTER	CLEAR(CAVER TAPE)
			3	PS	CLEAR(EMBOSSD CARRIER TAPE)
NO.	MATERIAL	FINISH, REMARKS	NO.	MATERIAL	FINISH, REMARKS
CODE NO. (OLD)		DRAWN	DESIGNED	CHECKED	APPROVED
		F.Matsuki	A.TAKAHASHI	T.SAKATA	T.SAKATA
		'04.12.22	'04.12.22	'04.12.22	'04.12.22
DRAWING NO.		PART NO.			
EDC3-303463-04		DF30FC-24DS-0.4V(81)			
SCALE		CODE NO.			
10 : 1		CL684-1111-0-81		1/2	
UNITS		HIROSE ELECTRIC CO., LTD			
mm					

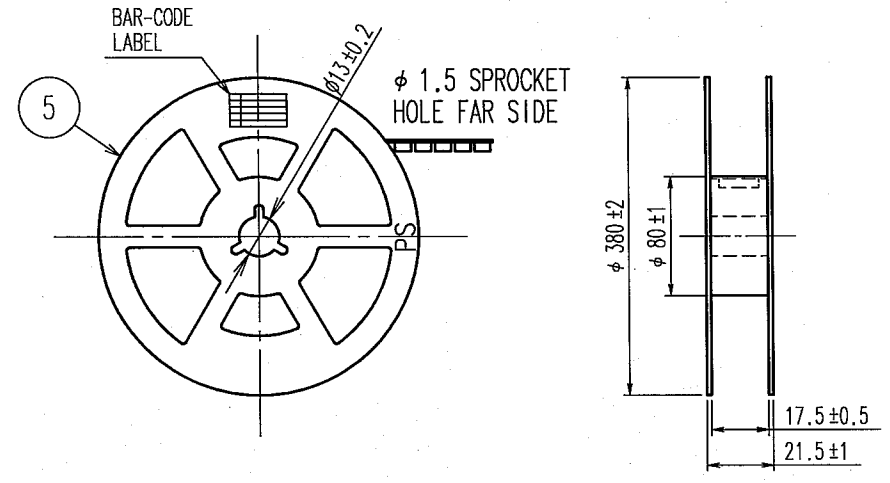


Dec.1.2022 Copyright 2022 HIROSE ELECTRIC CO., LTD. All Rights Reserved.
 In case of consideration for using Automotive equipment / device which demand high reliability, kindly contact our sales window correspondents.

COUNT	DESCRIPTION OF REVISIONS	BY	CHKD	DATE	COUNT	DESCRIPTION OF REVISIONS	BY	CHKD	DATE



STYLE AND DIMENSION OF REEL (FREE SIZE)



DETAIL OF PART NO. LABEL

SUPPLIER	QUANTITY	PART NO.	CODE NO.	DATE OF MANUFACTURED
生産月日	年月日	図番	CL684-1111-0-81	
		品名	DF30FC-24DS-0.4V(81)	
		納入数量	5000個	
		納入者	ヒロセ電機(株)	

TO

CODE NO. (OLD)	DRAWN	DESIGNED	CHECKED	APPROVED	RELEASED
	F. Matsuki	A. TAKAHASHI	T. SAKATA	T. SAKATA	
	'04. 12. 22	'04. 12. 22	'04. 12. 22	'04. 12. 22	
SCALE	DRAWING NO.		PART NO.		
5 : 1	EDC3-303463-04		DF30FC-24DS-0.4V(81)		
UNITS	HRS HIROSE ELECTRIC CO., LTD		CODE NO.		2
mm			CL684-1111-0-81		