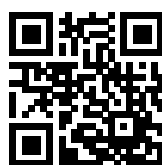


# Ultra Compact and Versatile Filtered Power Entry Module



- Single stage filter
- Ultra compact design
- Rated currents up to 10 A
- dual-fuse holder
- Fuses Ø5x20 mm
- 2-pole rocker switch
- Good attenuation performance
- Faston or spring cage terminals



### Performance indicators

Attenuation performance



Rated current [A]



### Approvals & Compliances



(CQC except HI-types; Patent US 20110227692/US 8766761; CN ZL201080069589.0)

Choosing FN 9280/90 product line brings you the rapid availability of a standard filter associated with the necessary safety acceptances and a high attenuation performance. For higher attenuation performance the FN 9290 family with a dual stage filter and identical panel cut-out can be used.

Standard IEC connector filters are a practical solution to pass EMI system approval in a short time. A wide selection of amperage ratings, mounting possibilities and also filters for medical applications are designed to offer you the best solution.

### Features and Benefits

- Good conducted attenuation performance, based on chokes with high saturation resistance and excellent thermal behavior
- Deep-drawn iron-sheet housing for best possible shielding against magnetic fields
- Rear/front flange mounting or snap-in versions
- Dual and additional spare fuse holder
- 2-pole rocker switch
- Faston or spring cage terminals
- FN 928X B versions comply with the requirements of IMOP acc. to IEC/EN 60601-1
- All versions according IEC/EN 62368-1

## Technical Specifications

|  |   |
|--|---|
| <b>Maximum continuous operating voltage</b>      | 250 VAC, 50/60 Hz   |
| <b>Rated currents</b>                            | 1 to 10 A @ 40°C max  |
| <b>Operating frequency</b>                       | DC to 400 Hz  |
| <b>Leakage current</b>                           | Standard: <500 µA at 250 VAC/50 Hz<br>Medical: <5 µA at 250 VAC/50 Hz   |
| <b>High potential test voltage</b>               | P → PE 2000 VAC for 2 sec (standard types)<br>P → PE 2500 VAC for 2 sec (B types)<br>P → N 760 VAC for 2 sec      |
| <b>Design corresponding to</b>                   | UL 1283, CSA 22.2 No. 8 1986, EN 60939, EN 60950, EN 60601-1, UL 544, EN 60320                                    |
| <b>Flammability corresponding to</b>             | UL 94 V-2 or better   |
| <b>Temperature range (operation and storage)</b> | - 25°C to +85°C (25/85/21)  |
| <b>Protection category</b>                       | IP 40 according to IEC 60529 (front side)   |
| <b>MTBF @ 40°C/230 V (Mil-HB-217F)</b>           | >1,000,000 hours  |
| <b>Switch ratings</b>                            |   |
| <b>Rocker switch</b>                             | 2-pole, non-illuminated, Marking I - 0  |
| <b>USA (UL) and Canada (C-UL)</b>                | 10 A, 125 VAC; 10 A, 250 VAC; 1/3 HP  |
| <b>Europe (ENEC)</b>                             | 10 A (4 A), 250 VAC*  |
| <b>Mechanical life</b>                           | 50,000 cycles   |
| <b>Electrical specifications</b>                 | Inrush current 82 A<br>6,000 on-off operations according to UL 1054<br>10,000 on-off operations according to ENEC |
| <b>Fuse holder</b>                               | 2 fuses (Ø5 x 20 mm) max. 250 V (certified to IEC 60127-6), power acceptance 1.6W @ Ta 23°C per pole              |

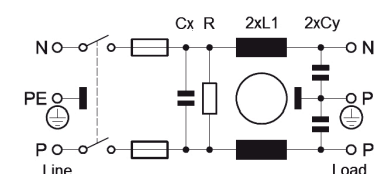
\* Value in () relates to the inductive current charge:  $\cos \gamma = 0.65$

### Typical Applications

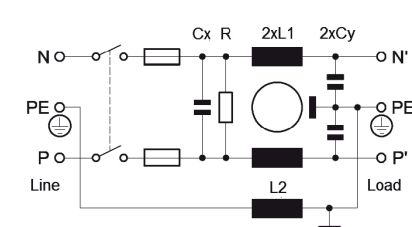
- Portable electrical and electronic equipment
- Consumer goods
- EDP and office equipment
- Single-phase and switch-mode power supplies
- Test and measurement equipment
- Medical electrical devices (MD) and *In-Vitro-Diagnostics* (IVD) equipment
- Audio/Video, information and communication technologies

### Typical electrical schematic



FN 9280 Standard types (B types without Cy)



FN 9280 E types (B types without Cy)



## Filter Selection Table

| Filter*          | Rated current<br>@ 40°C | Leakage current**<br>@ 250 VAC /50 Hz<br>(@ 120 VAC /60 Hz) | Inductance |      | Capacitance |      | Resistance<br>R | Output<br>connections   |   | Weight |
|------------------|-------------------------|---|------------|------|-------------|------|-----------------|---|---|--------|
|                  |                         |   | L1         | L2   | Cx          | Cy   |                 |   |   |        |
|                  | [A]                     | [mA]  | [mH]       | [mH] | [nF]        | [nF] | [kOhm]          |  |  | [g]    |
| FN 9280-1-..     | 1                       | 0.31 (0.18)   | 10.9       | 0    | 220         | 2.2  | 1000            | -06   | -100  | 101    |
| FN 9280-2-..     | 2                       | 0.31 (0.18)   | 4.4        | 0    | 220         | 2.2  | 1000            | -06   | -100  | 102    |
| FN 9280-4-..     | 4                       | 0.31 (0.18)   | 1.7        | 0    | 220         | 2.2  | 1000            | -06   | -100  | 105    |
| FN 9280-6-..     | 6                       | 0.31 (0.18)   | 0.78       | 0    | 220         | 2.2  | 1000            | -06   | -100  | 104    |
| FN 9280-10-..    | 10                      | 0.31 (0.18)   | 0.32       | 0    | 220         | 2.2  | 1000            | -06   | -100  | 106    |
| FN 9280 B-1-..   | 1                       | 0.00  | 10.9       | 0    | 220         | 0    | 1000            | -06   | -100  | 101    |
| FN 9280 B-2-..   | 2                       | 0.00  | 4.4        | 0    | 220         | 0    | 1000            | -06   | -100  | 102    |
| FN 9280 B-4-..   | 4                       | 0.00  | 1.7        | 0    | 220         | 0    | 1000            | -06   | -100  | 105    |
| FN 9280 B-6-..   | 6                       | 0.00  | 0.78       | 0    | 220         | 0    | 1000            | -06   | -100  | 104    |
| FN 9280 B-10-..  | 10                      | 0.00  | 0.32       | 0    | 220         | 0    | 1000            | -06   | -100  | 106    |
| FN 9289-1-..     | 1                       | 0.31 (0.18)   | 10.9       | 0    | 220         | 2.2  | 1000            | -06   | -100  | 101    |
| FN 9289-2-..     | 2                       | 0.31 (0.18)   | 4.4        | 0    | 220         | 2.2  | 1000            | -06   | -100  | 102    |
| FN 9289-4-..     | 4                       | 0.31 (0.18)   | 1.7        | 0    | 220         | 2.2  | 1000            | -06   | -100  | 105    |
| FN 9289-6-..     | 6                       | 0.31 (0.18)   | 0.78       | 0    | 220         | 2.2  | 1000            | -06   | -100  | 104    |
| FN 9289-10-..    | 10                      | 0.31 (0.18)   | 0.32       | 0    | 220         | 2.2  | 1000            | -06   | -100  | 106    |
| FN 9289 B-1-..   | 1                       | 0.00  | 10.9       | 0    | 220         | 0    | 1000            | -06   | -100  | 101    |
| FN 9289 B-2-..   | 2                       | 0.00  | 4.4        | 0    | 220         | 0    | 1000            | -06   | -100  | 102    |
| FN 9289 B-4-..   | 4                       | 0.00  | 1.7        | 0    | 220         | 0    | 1000            | -06   | -100  | 105    |
| FN 9289 B-6-..   | 6                       | 0.00  | 0.78       | 0    | 220         | 0    | 1000            | -06   | -100  | 104    |
| FN 9289 B-10-..  | 10                      | 0.00  | 0.32       | 0    | 220         | 0    | 1000            | -06   | -100  | 106    |
| FN 9280 E-1-..   | 1                       | 0.31 (0.18)   | 10.9       | 0.4  | 220         | 2.2  | 1000            | -06   | -100  | 135    |
| FN 9280 E-2-..   | 2                       | 0.31 (0.18)   | 4.4        | 0.4  | 220         | 2.2  | 1000            | -06   | -100  | 136    |
| FN 9280 E-4-..   | 4                       | 0.31 (0.18)   | 1.66       | 0.4  | 220         | 2.2  | 1000            | -06   | -100  | 137    |
| FN 9280 E-6-..   | 6                       | 0.31 (0.18)   | 0.78       | 0.4  | 220         | 2.2  | 1000            | -06   | -100  | 138    |
| FN 9280 E-10-..  | 10                      | 0.31 (0.18)   | 0.32       | 0.4  | 220         | 2.2  | 1000            | -06   | -100  | 139    |
| FN 9280 EB-1-..  | 1                       | 0.00  | 10.9       | 0.4  | 220         | 0    | 1000            | -06   | -100  | 135    |
| FN 9280 EB-2-..  | 2                       | 0.00  | 4.4        | 0.4  | 220         | 0    | 1000            | -06   | -100  | 136    |
| FN 9280 EB-4-..  | 4                       | 0.00  | 1.66       | 0.4  | 220         | 0    | 1000            | -06   | -100  | 137    |
| FN 9280 EB-6-..  | 6                       | 0.00  | 0.78       | 0.4  | 220         | 0    | 1000            | -06   | -100  | 138    |
| FN 9280 EB-10-.. | 10                      | 0.00  | 0.32       | 0.4  | 220         | 0    | 1000            | -06   | -100  | 139    |
| FN 9289 E-1-..   | 1                       | 0.31 (0.18)   | 10.9       | 0.4  | 220         | 2.2  | 1000            | -06   | -100  | 135    |
| FN 9289 E-2-..   | 2                       | 0.31 (0.18)   | 4.4        | 0.4  | 220         | 2.2  | 1000            | -06   | -100  | 136    |
| FN 9289 E-4-..   | 4                       | 0.31 (0.18)   | 1.66       | 0.4  | 220         | 2.2  | 1000            | -06   | -100  | 137    |
| FN 9289 E-6-..   | 6                       | 0.31 (0.18)   | 0.78       | 0.4  | 220         | 2.2  | 1000            | -06   | -100  | 138    |
| FN 9289 E-10-..  | 10                      | 0.31 (0.18)   | 0.32       | 0.4  | 220         | 2.2  | 1000            | -06   | -100  | 139    |
| FN 9289 EB-1-..  | 1                       | 0.00  | 10.9       | 0.4  | 220         | 0    | 1000            | -06   | -100  | 135    |
| FN 9289 EB-2-..  | 2                       | 0.00  | 4.4        | 0.4  | 220         | 0    | 1000            | -06   | -100  | 136    |
| FN 9289 EB-4-..  | 4                       | 0.00  | 1.66       | 0.4  | 220         | 0    | 1000            | -06   | -100  | 137    |
| FN 9289 EB-6-..  | 6                       | 0.00  | 0.78       | 0.4  | 220         | 0    | 1000            | -06   | -100  | 138    |
| FN 9289 EB-10-.. | 10                      | 0.00  | 0.32       | 0.4  | 220         | 0    | 1000            | -06   | -100  | 139    |

\* To compile a complete part number, please replace the -.. with the required output connection style (e.g. FN 9289-1-06, FN 9282-4-100)

\*\* Maximum leakage current under normal conditions (according to IEC60939-3)

Product selector

FN 92WWW-xx-yy-zz

- Blank: Snap in range 1.0 to 2.5 mm  
Optional: 30: Snap in range >2.5 to 3.5 mm
- 06: Fast-On 6.3 x 0.8 mm (spade/soldering)  
100: Spring cage
- 1 to 10: Rated current [A]
- Blank: Standard version  
B: Medical version (without Y2-capacitor)  
Optional: E: Earth line choke  
EB: Medical version (without YZ-capacitor) with earth line choke
- 0: Flange version vertical/horizontal/front/rear mounting set  
9: Snap-in version, snapper on horizontal side (top / bottom)  
Optional: 1: Rear Flange mounting (top / bottom)  
2: Front Flange mounting (top / bottom)  
3: Rear Flange mounting (left / right)  
4: Front Flange mounting (left / right)  
8: Snap-in version, snapper on vertical side (left / right)
- 8: Single stage filter

All FN 9280/FN 9290 are equipped with a dual fuse holder with a spare fuse holder.

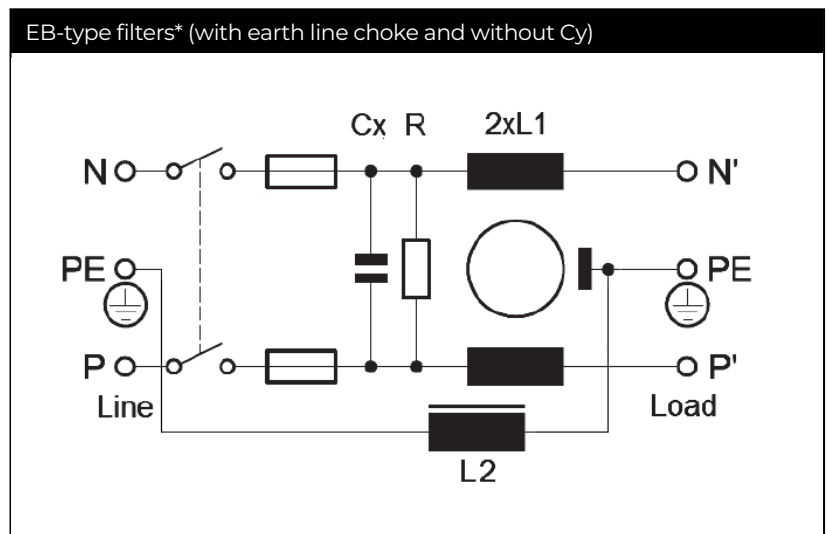
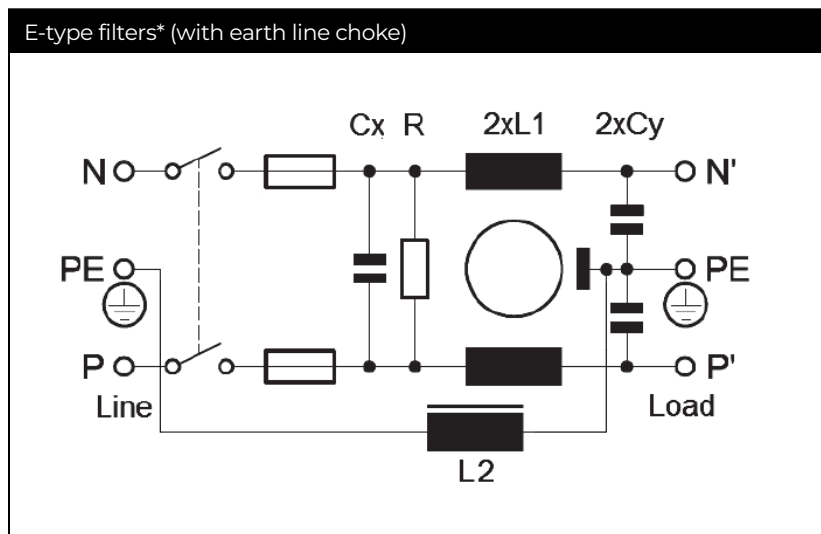
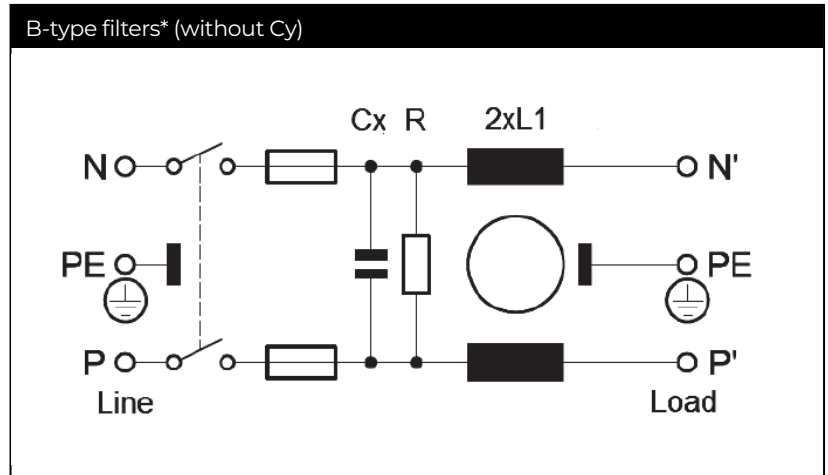
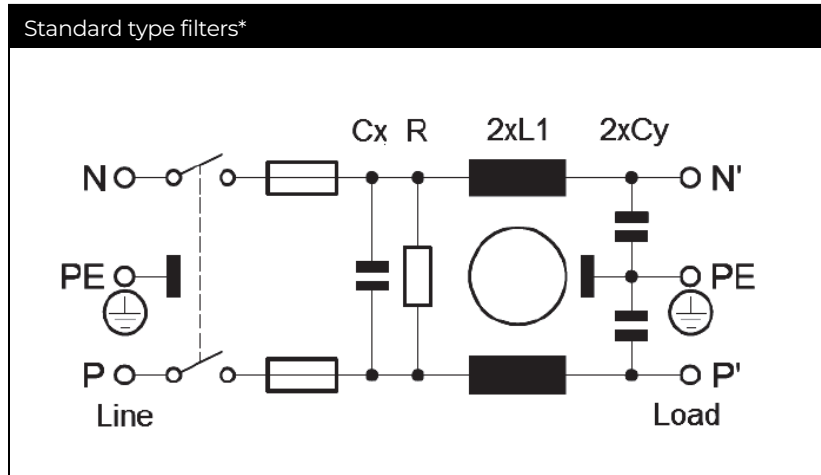
**Note: All FN 9280/FN 9280 B/FN 9289/FN 9289 B/FN 9290/FN 9290 B/FN 9299/FN 9299 B are stock types from our distribution partners.**

Order Examples:

FN 9280 B-6-100: Medical version of single stage, dual fuse EMC/EMI filter, flange set for vertical/horizontal/front/rear mounting, 6 A, spring cage terminals, from stock available.

FN 9298-6-06-30: Dual stage, dual fuse EMC/EMI filter, snap-in version, snappers for snap-in panel thickness range >2.5 to 3.5 mm, snapper on vertical side, 6 A, fast-on terminals, non-stock order type

Accessories: The 4D flanges can be ordered separately. The order number is 427532. Please note that the minimum order quantity is one box of 50 pieces. One item includes both type of flanges (vertical and horizontal).

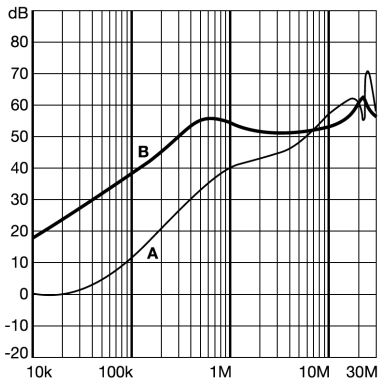


\* Fuses are not included

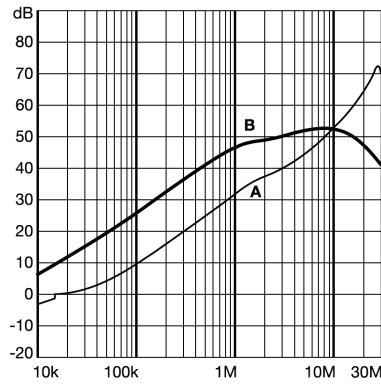
### Typical Filter Attenuation

**FN 9280 Series** | Per CISPR 17; A=50 Ω/50 Ω sym; B=50 Ω/50 Ω asym

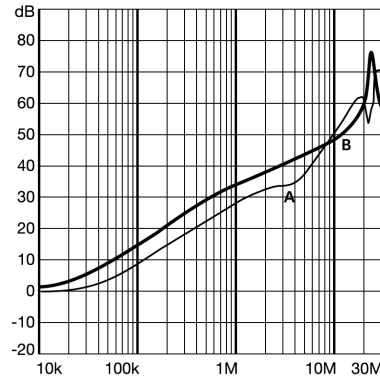
1 A types



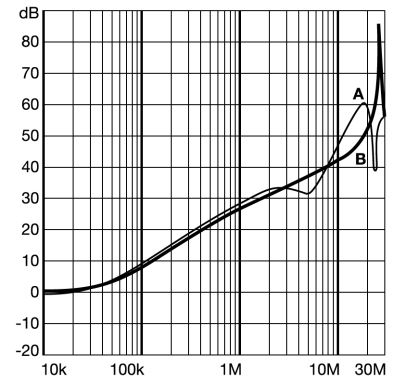
2 A types



4 – 6 A types

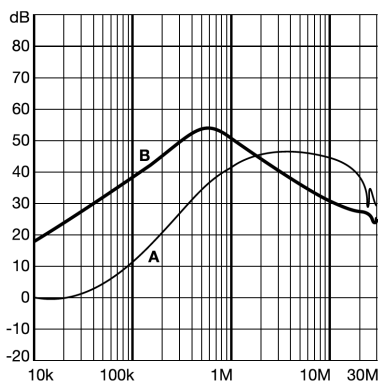


10 A types

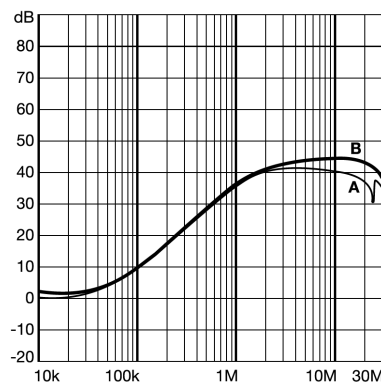


**FN 9280 B Series** | Per CISPR 17; A=50 Ω/50 Ω sym; B=50 Ω/50 Ω asym

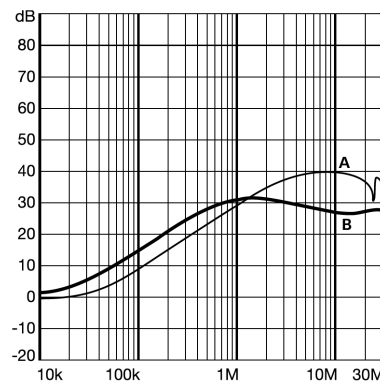
1 A types



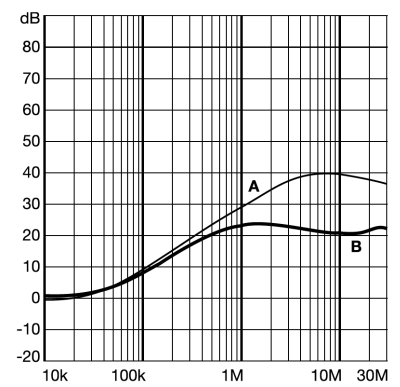
2 A types



4 – 6 A types

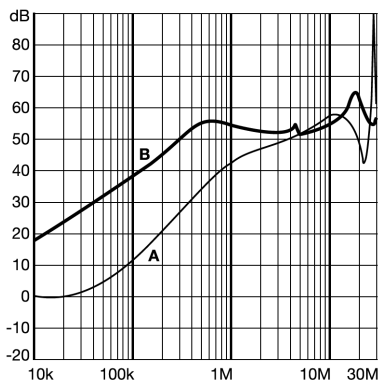


10 A types

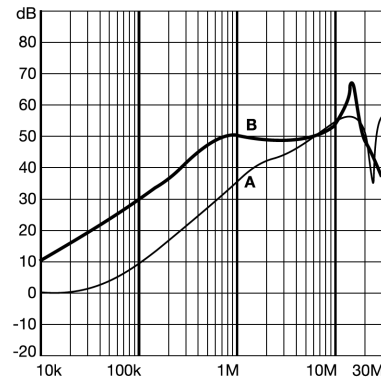


**FN 9280 E Series** | Per CISPR 17; A=50 Ω/50 Ω sym; B=50 Ω/50 Ω asym

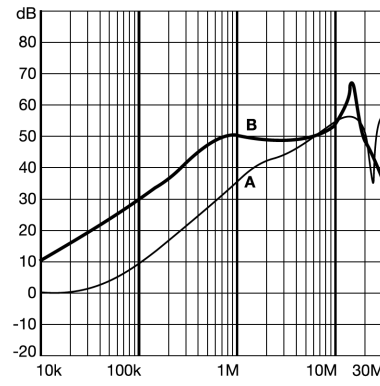
1 A types



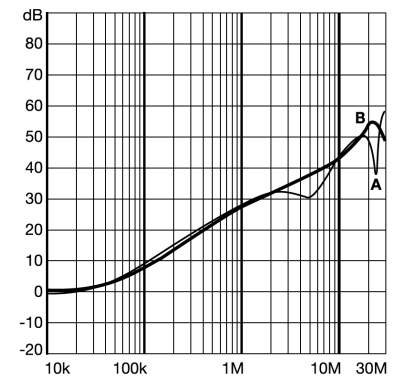
2 A types



4 – 6 A types

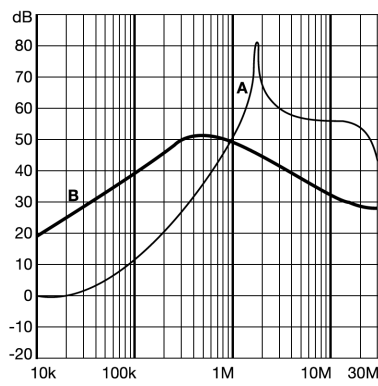


10 A types

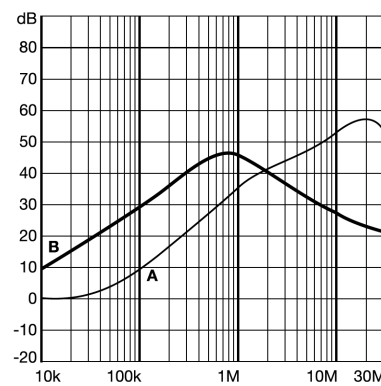


**FN 9280 EB Series** | Per CISPR 17; A=50 Ω/50 Ω sym; B=50 Ω/50 Ω asym

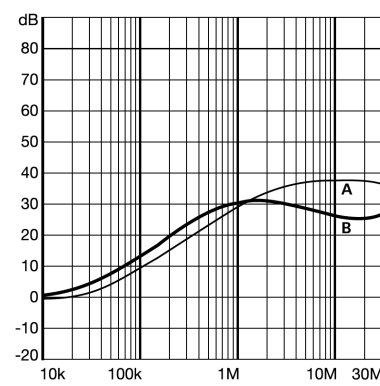
1 A types



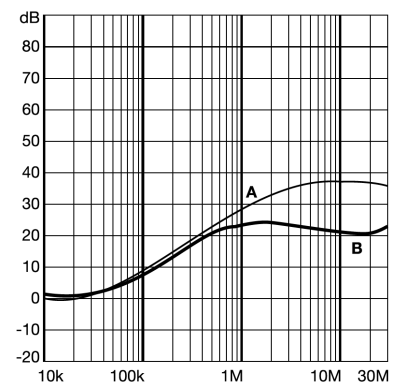
2 A types



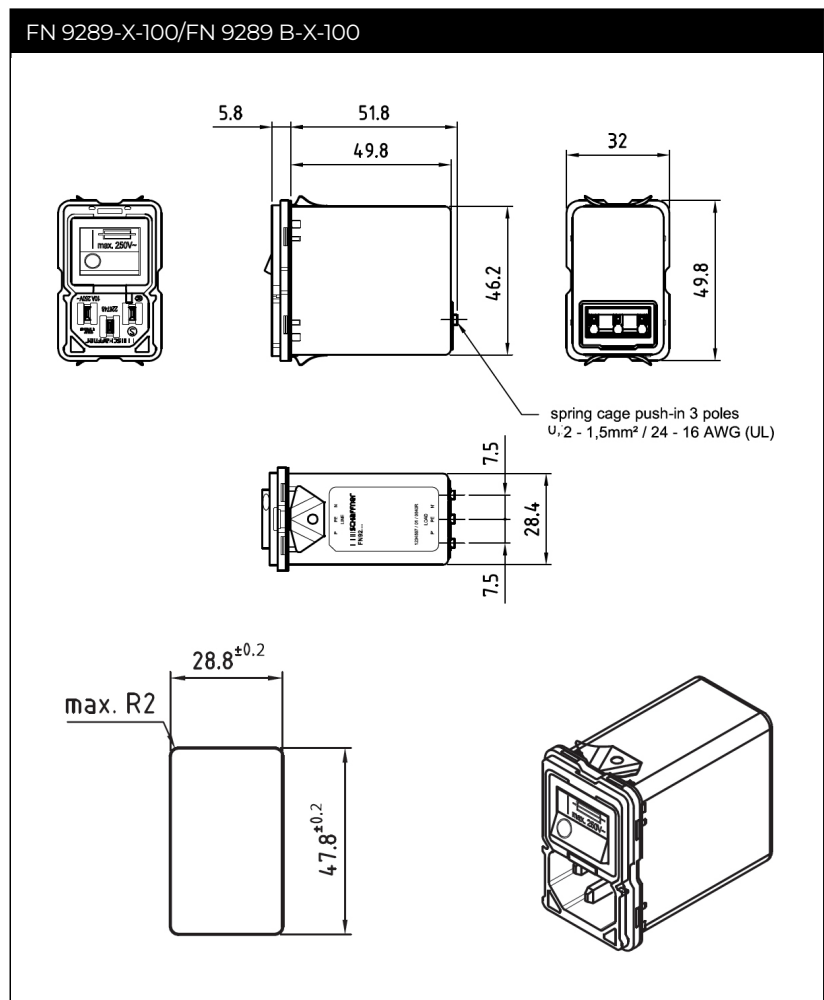
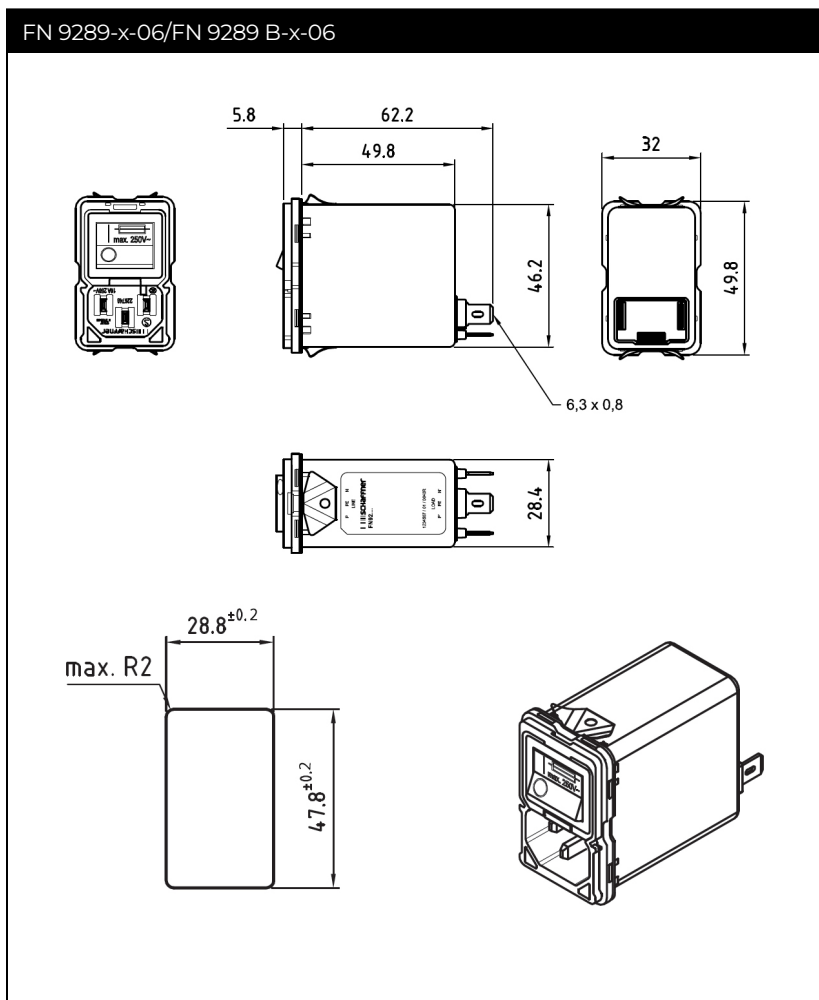
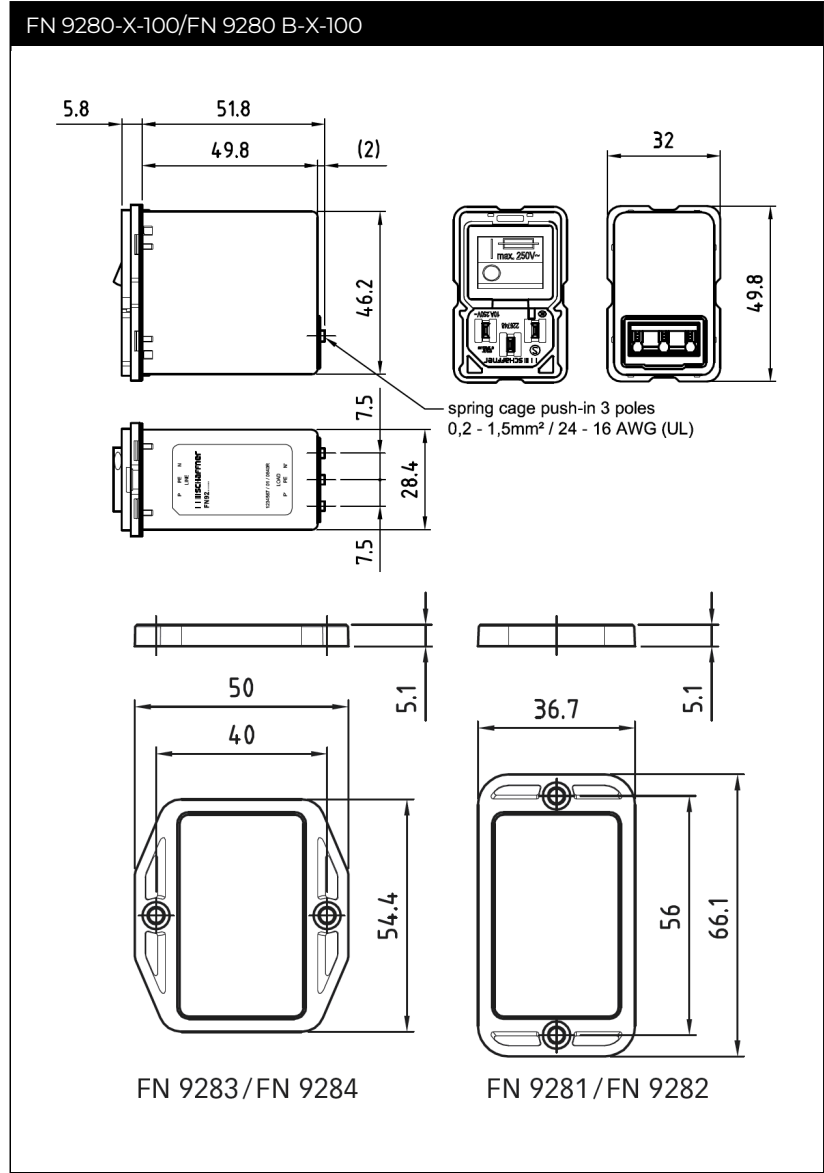
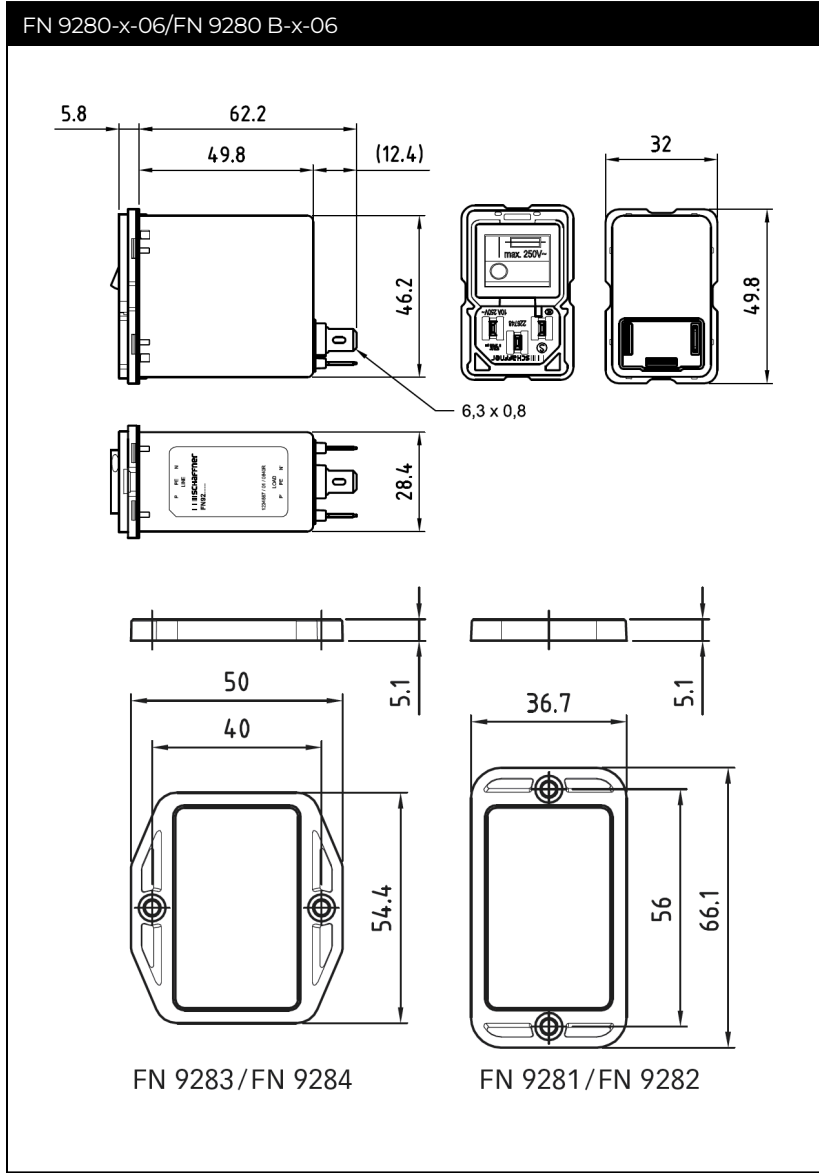
4 – 6 A types



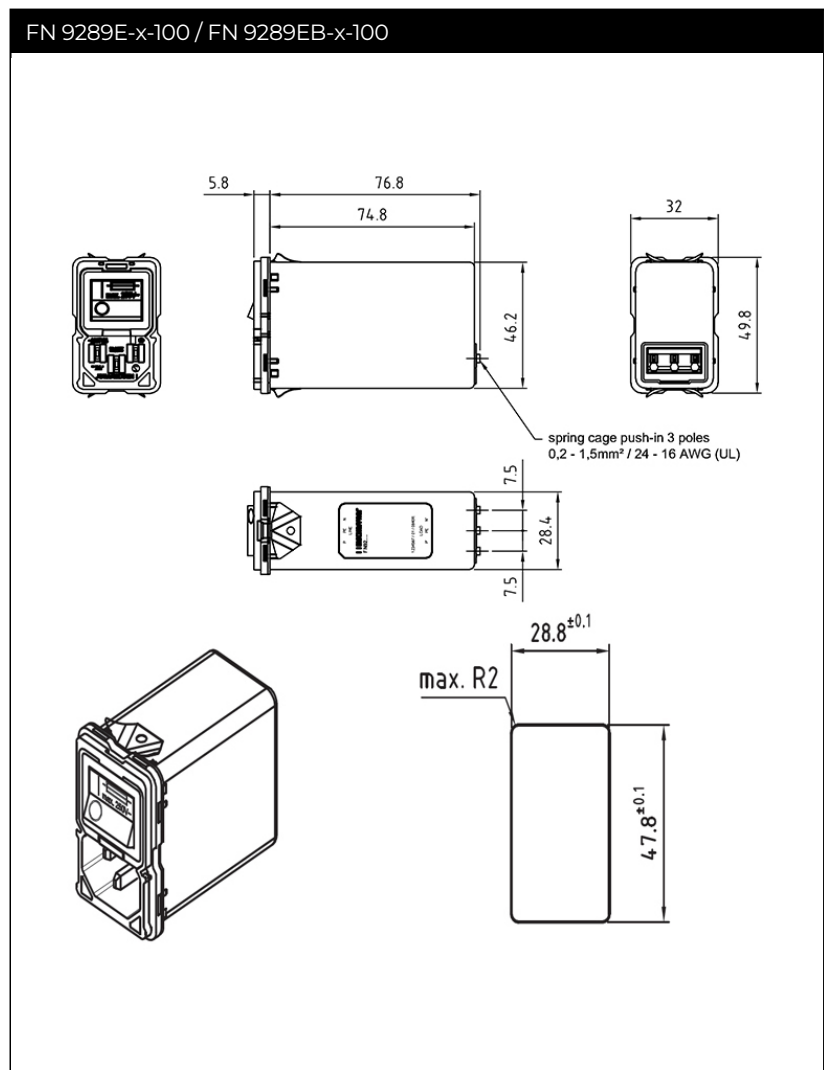
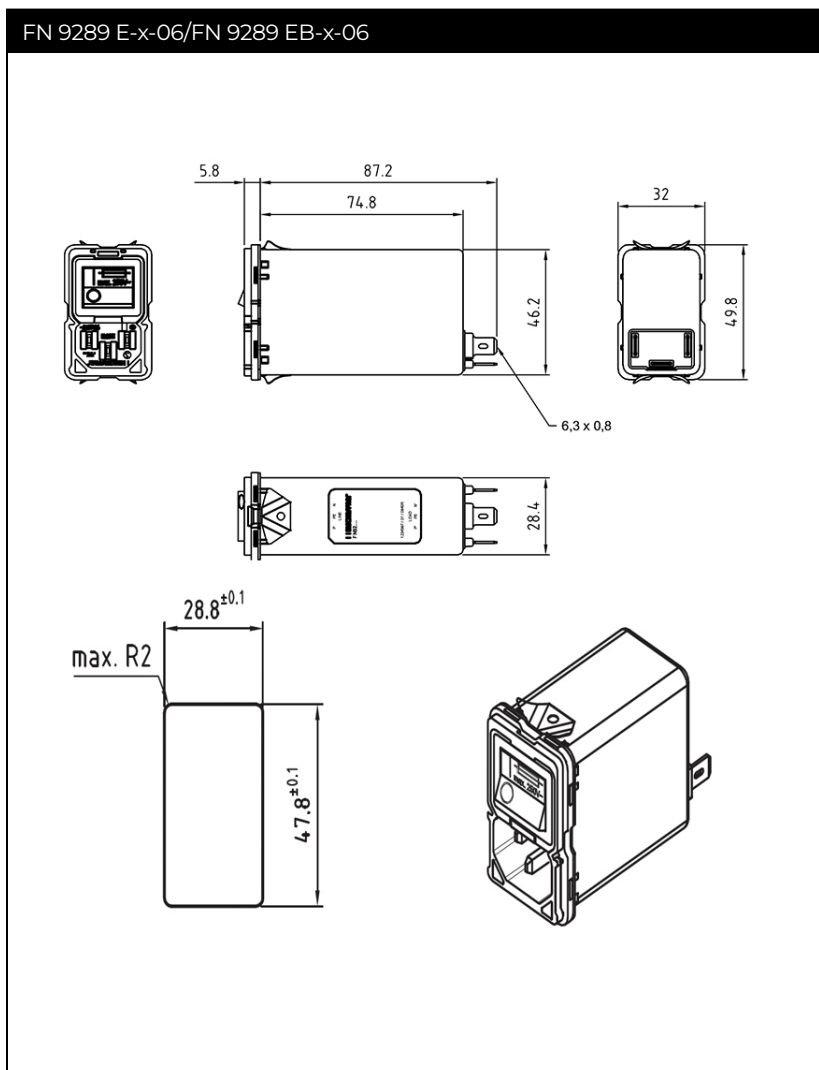
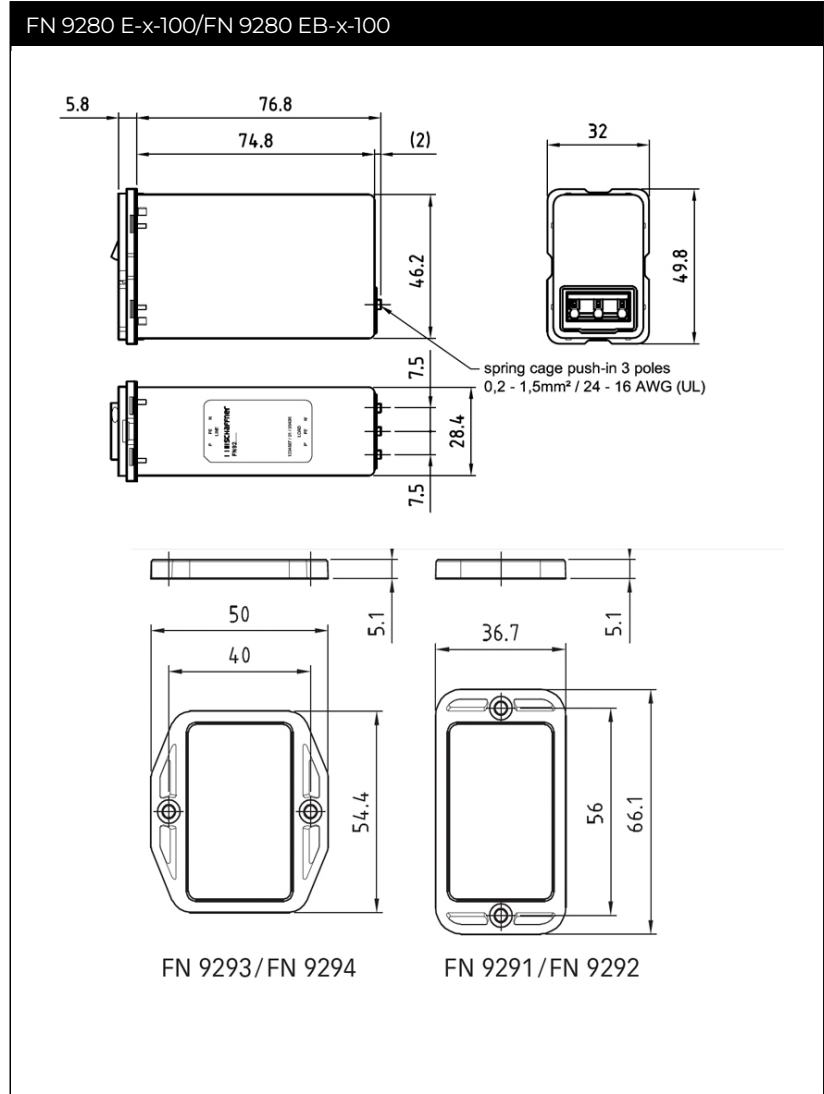
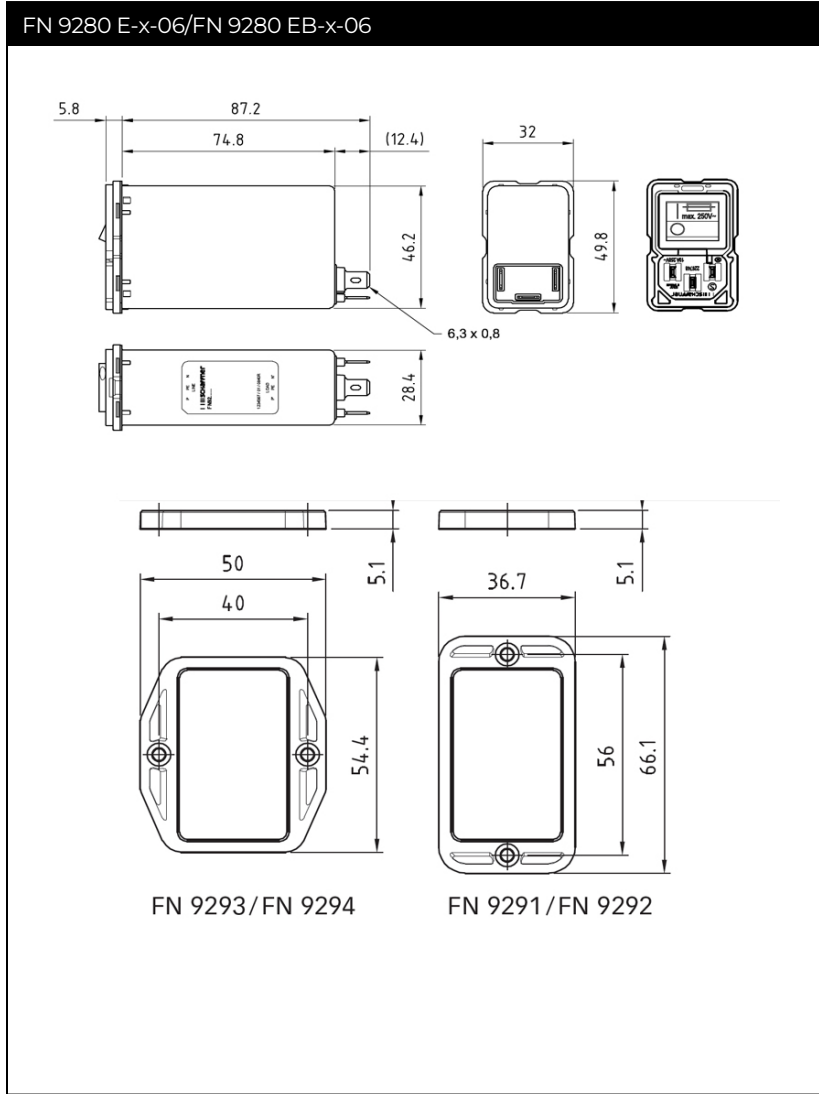
10 A types



**Mechanical Data**



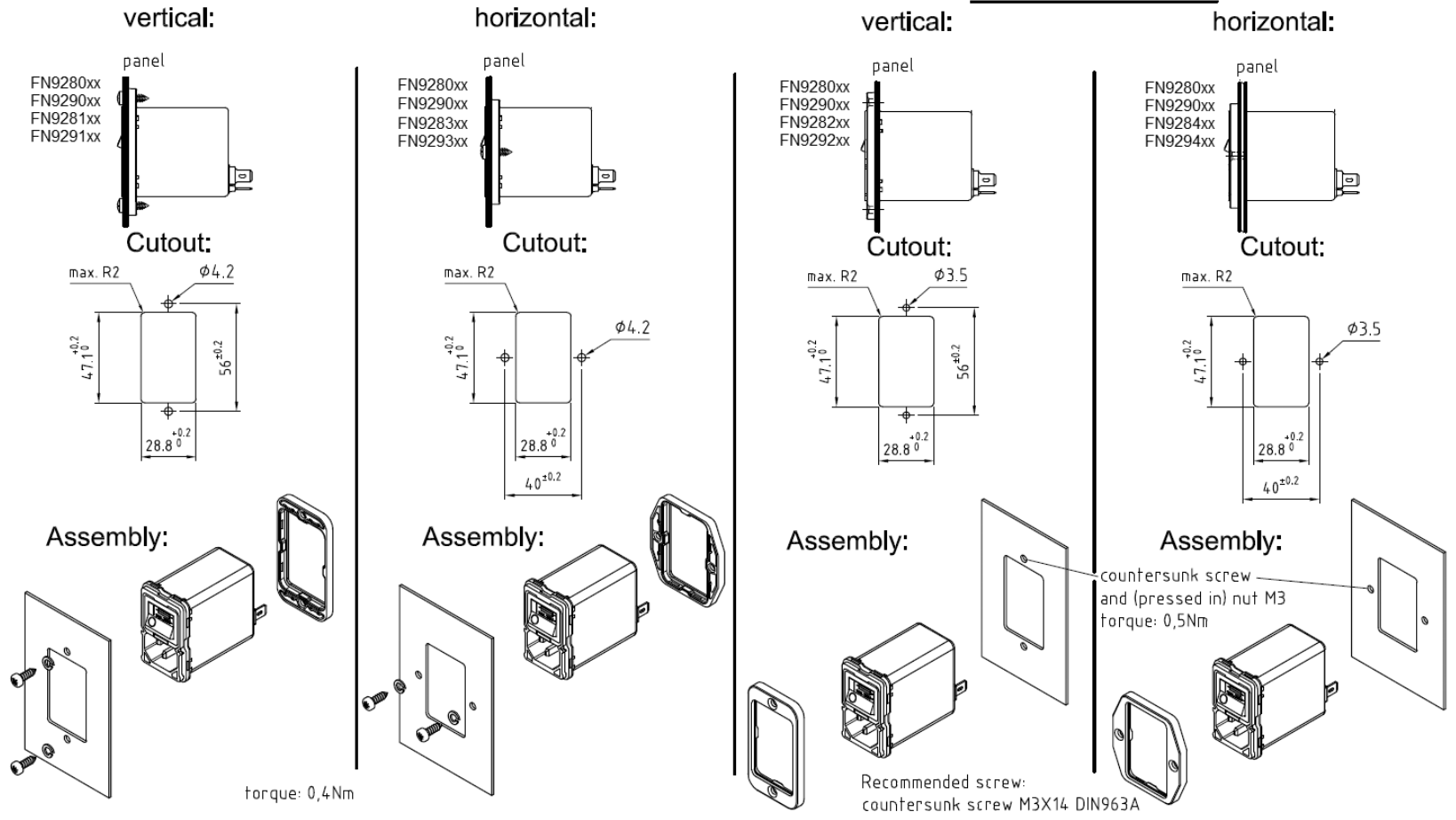
**Mechanical Data**



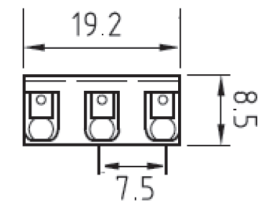
Assembly Instructions

**REAR MOUNTING**

**FRONT MOUNTING**

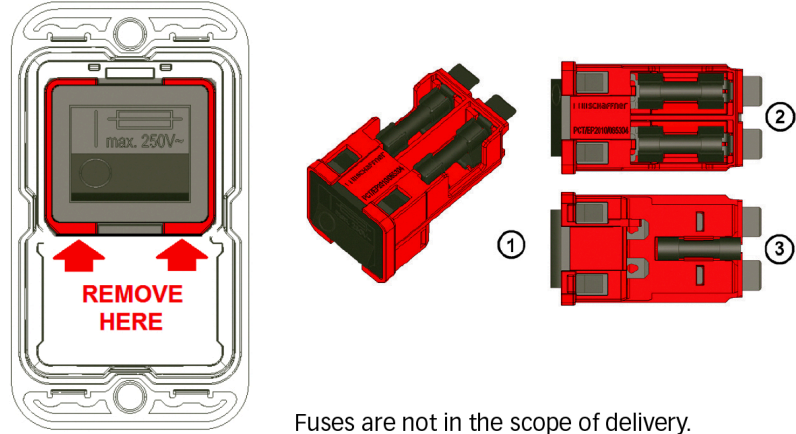


|   |  |
|---|--|
| <b>Terminal -100</b>                          |  |
| <b>clamping range, solid wire / flex wire</b> | 0,20 mm <sup>2</sup> – 1,5 mm <sup>2</sup> , AWG24 – AWG16 |
| <b>operating force of slider</b>              | max. 40 N  |
| <b>recommended stripped length</b>            | 8 mm   |



Push the knob above the terminal to insert the wire.

**Removal Of The Combined Switch / Fuse Holder Unit**



An additional fuse mark on the switch indicates the fuses holders behind the switch. The red frame shows the outline of the removable unit.

With a simple tool like a Swiss Army knife or a screwdriver No 1 or smaller the unit (1) can be removed from the filter. On the topside (2) behind the switch there are two fuse holders for each live connection. On the bottom side (3) is a clip to carry an additional spare fuse.

Please visit [www.schaffner.com](http://www.schaffner.com) to find more details on filter connectors.

## Accessories

### Power Cord with angled Locking System C13



- Protects appliances that are vulnerable to vibration
- Connector cannot be accidentally pulled or vibrated out of the inlet
- Space availability/constraints
- Different angles for ease of access
- Space saving
- Release locking mechanism
- Prevents accidental disconnection

[Technical Data Sheet >](#)

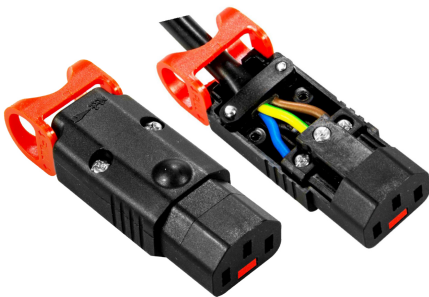
### IL 13P IEC C13 Rewireable Angled Connectors with Locking System



- Protects appliances that are vulnerable to vibration
- Connector cannot be accidentally pulled or vibrated out of the inlet
- Space availability/constraints
- Different angles for ease of access
- Space saving
- Release locking mechanism
- Prevents accidental disconnection

[Technical Data Sheet >](#)

### IL 13P IEC C13 Rewireable Connectors with Locking System



The locking system has a tensile force of typical 300N. It is recommended to use it with flange mount filters. For details refer to our Application Note "Using IEC Lock Power Cords with IEC Inlets and Filters".

Schaffner power connector with IEC lock guard against accidental disconnection of all electrical appliances with an IEC inlet. No exchange or modification of the IEC inlet or IEC inlet filter system is needed. Easy retrofit .for all electronic equipments and devices

[Technical Data Sheet >](#)



## Headquarters, Global Innovation and Development

### Switzerland

#### Schaffner Group

Industrie Nord  
Nordstrasse 11e  
4542  
Luterbach  
+41 32 681 66 26  
[info@schaffner.com](mailto:info@schaffner.com)

## Sales and Application Centers

### China

#### Schaffner EMC Ltd. Shanghai

T20-3 C No 565 Chuangye Road Pudong  
district  
201201  
Shanghai  
+86 2138139500  
[cschina@schaffner.com](mailto:cschina@schaffner.com)

### Finland

#### Schaffner Oy

Sauvonrinne 19 H  
8500  
Lohja  
+358 50 468 7284  
[finlandsales@schaffner.com](mailto:finlandsales@schaffner.com)

### France

#### Schaffner EMC S.A.S.

16-20 Rue Louis Rameau  
95875  
Bezons  
+33 1 34 34 30 60  
[francesales@schaffner.com](mailto:francesales@schaffner.com)

### Germany

#### Schaffner Deutschland GmbH

Schoemperlenstrasse 12B  
76185  
Karlsruhe  
+49 721 56910  
[germanysales@schaffner.com](mailto:germanysales@schaffner.com)

### India

#### Schaffner India Pvt. Ltd

Regus World Trade Centre  
WTC 22nd Floor Unit No 2238 Brigade  
Gateway Campus 26/1 Dr. Rajkumar Road  
Malleshwaram (W)  
560055  
Bangalore  
+91 8067935355  
[indiasales@schaffner.com](mailto:indiasales@schaffner.com)

### Italy

#### Schaffner EMC S.r.l.

Via Ticino, 30  
20900  
Monza (MB)  
+39 039 21 41 070  
[italysales@schaffner.com](mailto:italysales@schaffner.com)

### Japan

#### Schaffner EMC K.K.

ISM Sangenjaya 7F  
1-32-12 Kamiyama Setagaya-ku  
154-0011  
Tokyo  
+81 3 5712 3650  
[japansales@schaffner.com](mailto:japansales@schaffner.com)

### Singapore

#### Schaffner EMC Pte Ltd.

Blk 3015A Ubi Road 1 #05-09 Kampong Ubi  
Industrial Estate  
408705  
Singapore  
+65 63773283  
[singaporesales@schaffner.com](mailto:singaporesales@schaffner.com)

### Spain

#### Schaffner EMC España

Calle Caléndula 93 Miniparc III Edificio E El  
Soto de Moraleja Alcobendas  
28109  
Madrid  
+34 917 912 900  
[spainsales@schaffner.com](mailto:spainsales@schaffner.com)

### Sweden

#### Schaffner EMC AB

Östermalmstrorg 1  
114 42  
Stockholm  
+46 8 5050 2425  
[swedensales@schaffner.com](mailto:swedensales@schaffner.com)

### Switzerland

#### Schaffner EMV AG

Industrie Nord  
Nordstrasse 11e  
4542  
Luterbach  
+41 32 681 66 26  
[switzerlandsales@schaffner.com](mailto:switzerlandsales@schaffner.com)

### Taiwan

#### Schaffner EMV Ltd.

U-Town  
20 Floor-2 No 97 Section 1 XinTai 5th Road  
XiZhi District  
22175  
New Taipei City  
+886 226975500  
[taiwansales@schaffner.com](mailto:taiwansales@schaffner.com)

### Thailand

#### Schaffner EMC Co. Ltd.

Sathorn Square Tower  
Room 3780 37FL 98 North-Sathorn Rd Silom  
Bangrak  
10500  
Bangkok  
+66 621056397  
[thailandsales@schaffner.com](mailto:thailandsales@schaffner.com)

### United Kingdom

#### Schaffner Ltd.

Suite 1 Oakmede Place  
Terrace Road  
RG42 4JF  
Binfield  
+44 118 9770070  
[uksales@schaffner.com](mailto:uksales@schaffner.com)

### United States

#### Schaffner EMC Inc.

52 Mayfield Avenue  
Edison, New Jersey  
+1 732 225 9533  
[usasales@schaffner.com](mailto:usasales@schaffner.com)

To find your local partner within  
Schaffner's global network [schaffner.com](http://schaffner.com)

© 2022 Schaffner Group

The content of this document has been carefully checked and understood. However, neither Schaffner nor its subsidiaries assume any liability whatsoever for any errors or inaccuracies of this document and the consequences thereof. Published specifications are subject to change without notice. Product suitability for any area of application must ultimately be determined by the customer. In all cases, products must never be operated outside their published specifications. Schaffner does not guarantee the availability of all published products. This disclaimer shall be governed by substantive Swiss law and resulting disputes shall be settled by the courts at the place of business of Schaffner Holding AG. Latest publications and a complete disclaimer can be downloaded from the Schaffner website. All trademarks recognized.