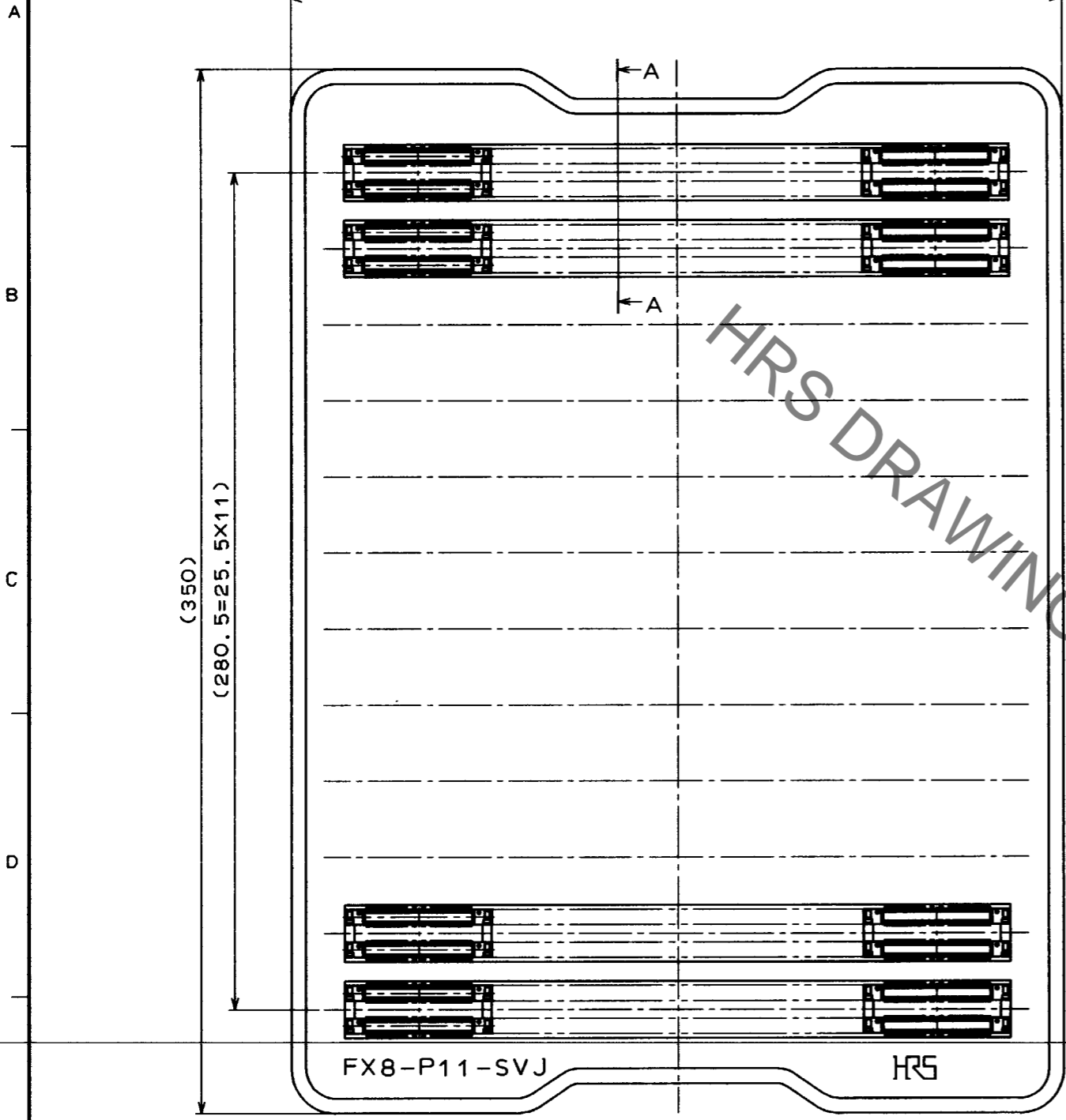


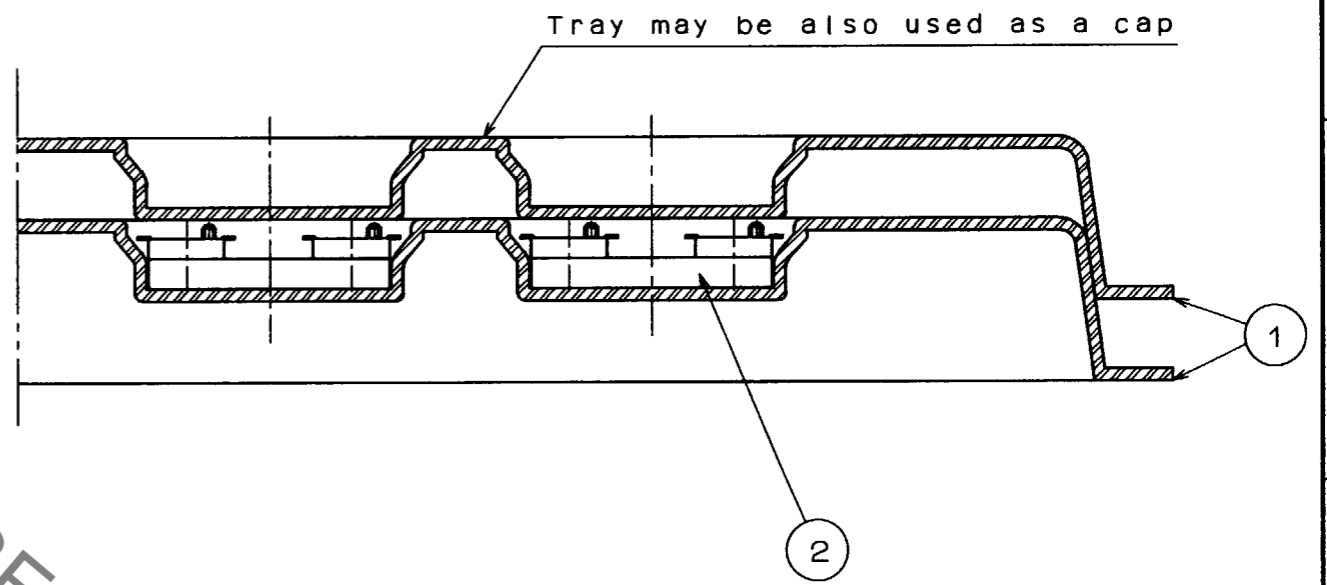
Nov.1.2022 Copyright 2022 HIROSE ELECTRIC CO., LTD. All Rights Reserved.
In case of consideration for using Automotive equipment / device which demand high reliability, kindly contact our sales window correspondents.

1 2 3 4 5 6 7 8

COUNT	DESCRIPTION OF REVISIONS	BY	CHKD	DATE	COUNT	DESCRIPTION OF REVISIONS	BY	CHKD	DATE

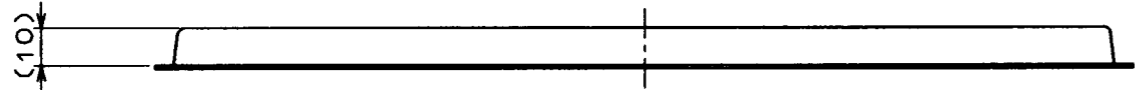


A-A (2:1)



Packaging style (tray packaging)

Number of contact	60X2	80X2	90X2	100X2	120X2	140X2
Number of connector per tray	84	60	60	60	48	48



TO
*

2 (CONNECTOR)	1 PS Resin (TRAY)
NO. MATERIAL FINISH, REMARKS	NO. MATERIAL FINISH, REMARKS
CODE NO. (OLD)	DRAWN DESIGNED CHECKED APPROVED RELEASED
Drawing for Packaging	<i>M. Ezaki</i> 196.2.7 <i>M. Ezaki</i> 196.2.7 <i>M. Tomita</i> 196.2.7 <i>T. Yoshimura</i> 196.2.7
SCALE 1:2	DRAWING NO. EDC3-150728-03 PART NO. FX8-**/**P11-SVJ
UNITS mm	CODE NO. CL578