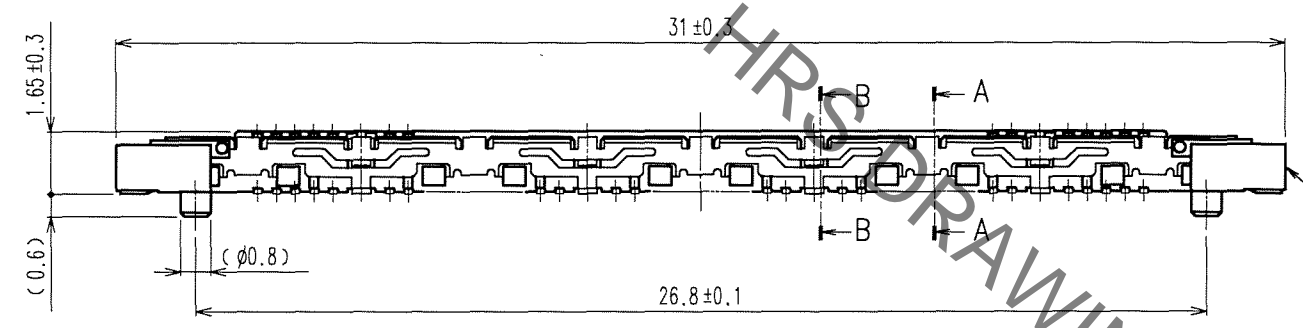
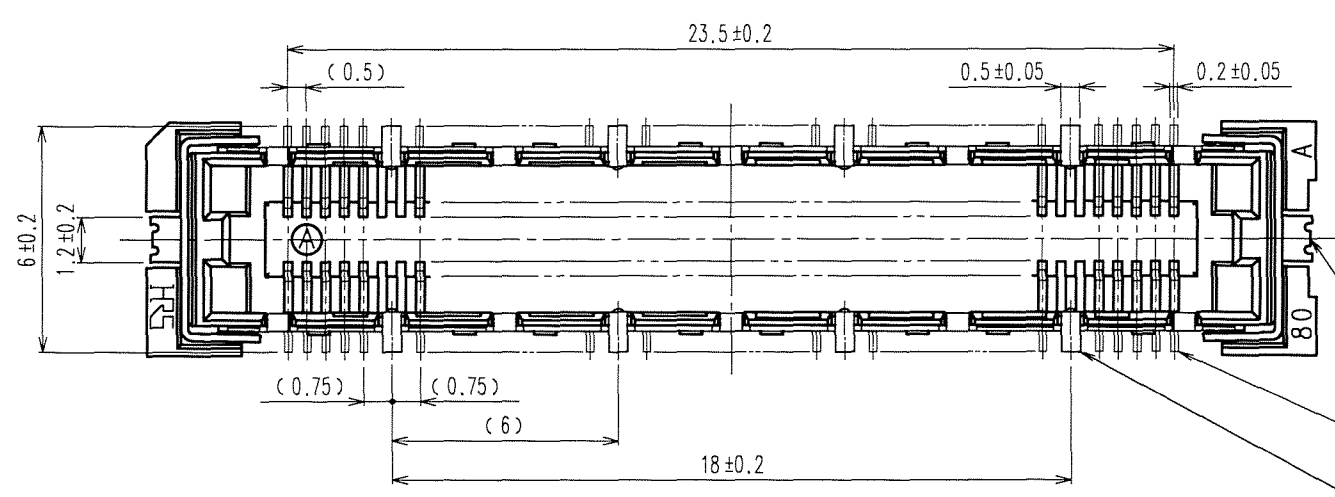


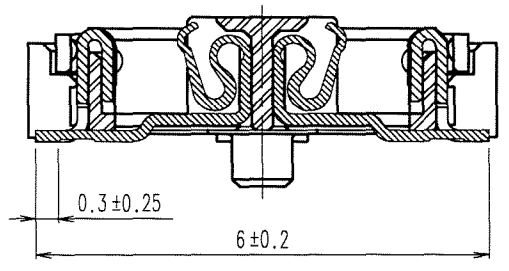
Dec.1.2022 Copyright 2022 HIROSE ELECTRIC CO., LTD. All Rights Reserved.  
 of consideration for using Automotive equipment / device which demand high reliability, kindly contact our sales window correspondents.

1                      2                      3                      4                      5                      6                      7                      8

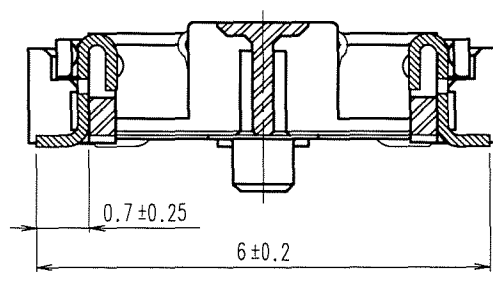
COUNT	DESCRIPTION OF REVISIONS	BY	CHKD	DATE	COUNT	DESCRIPTION OF REVISIONS	BY	CHKD	DATE
△					△				
△					△				
△					△				



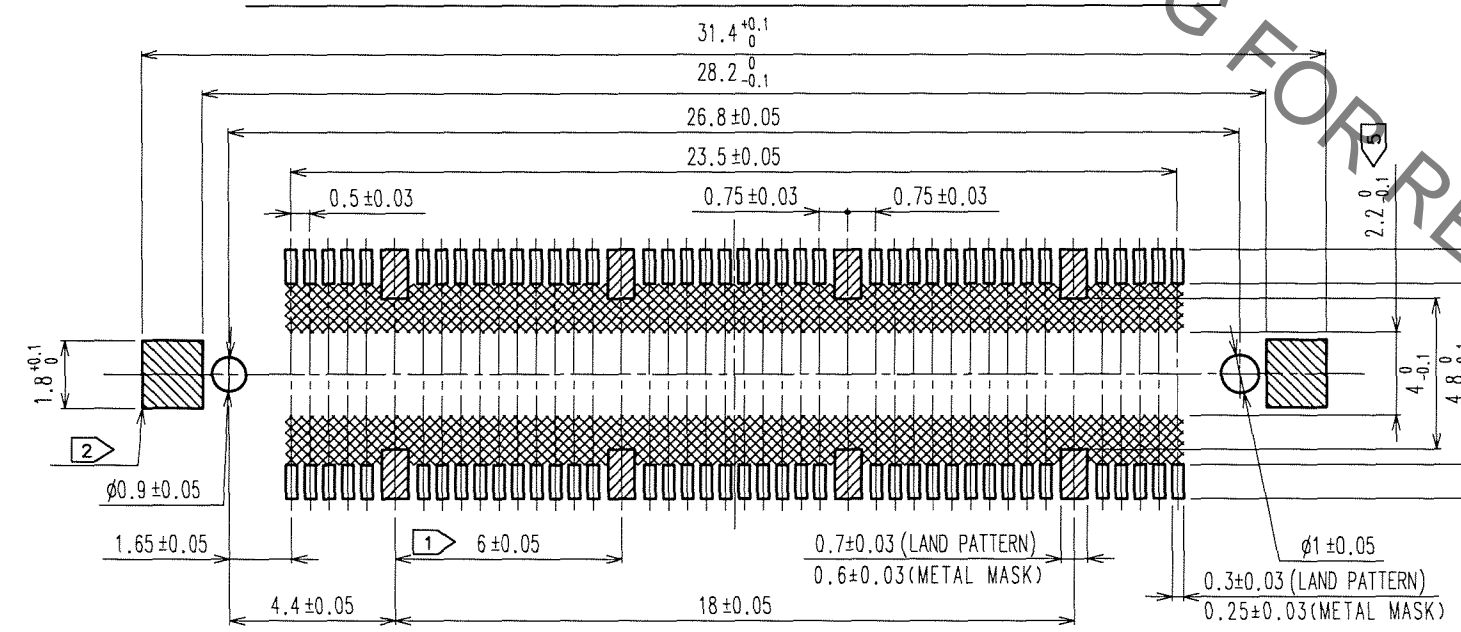
A-A (10:1)



B-B (10:1)



RECOMMENDED LAND PATTERN DIMENSION OF PCB



- NOTES
- ① 8 HATCHED PARTS: GROUND CIRCUIT.
  - ② 2 HATCHED PARTS: GROUND CIRCUIT.
  - ③ SMT LEAD-COPLANARITY: 0.1 MAX.
  - ④ THIS PRODUCT HAS NO POLARITY TO PATTERN FOR MOUNTING.
  - ⑤ MAKE SURE WIDTH OF PATTERN IS WITHIN THAT OF LAND, OR LEAD MAY TOUCH PATTERN. (THIS APPLIES TO HATCHED AREA.)
  - ⑥ THE DIMENSIONS IN PARENTHESES ARE FOR REFERENCE.

4	PHOSPHOR BRONZE	TIN-PLATING								CONTACT AREA: GOLD 0.1μm min.
3	PHOSPHOR BRONZE	TIN-PLATING		2	PHOSPHOR BRONZE					LEAD AREA: GOLD FLASH
1	LCP	BEIGE	UL94V-0							UNDER PLATING: NICKEL 1μm min.
NO.	MATERIAL	FINISH, REMARKS	NO.	MATERIAL	FINISH, REMARKS					

CODE NO. (OLD)	DRAWN	DESIGNED	CHECKED	APPROVED	RELEASED
CL	K. NAKAMURA	K. NAKAMURA	X. Ozawa	7/ Okawa	
	06.04.25	06.04.25	'06.04.25	06.04.26	

SCALE	DRAWING NO.	PART NO.
5 : 1	EDC3-152109-25	FX11LA-80S/8-SV(71)
UNITS	HIROSE ELECTRIC CO., LTD.	CODE NO.
mm		CL573-0103-4-71

1                      2                      3                      4                      5                      6                      7                      8