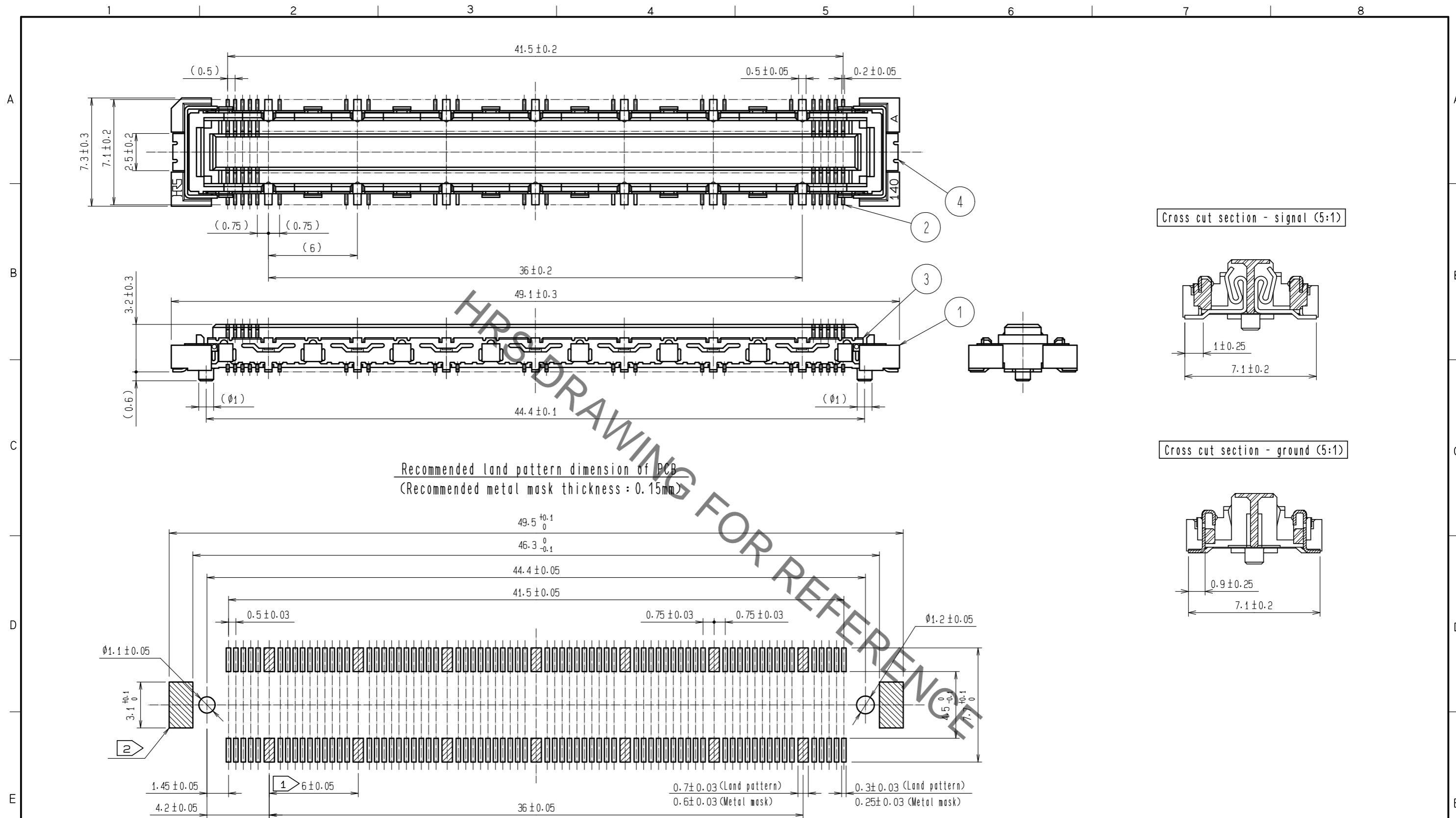


Dec.1.2022 Copyright 2022 HIROSE ELECTRIC CO., LTD. All Rights Reserved.
 In case of consideration for using Automotive equipment / device which demand high reliability, kindly contact our sales window correspondents.



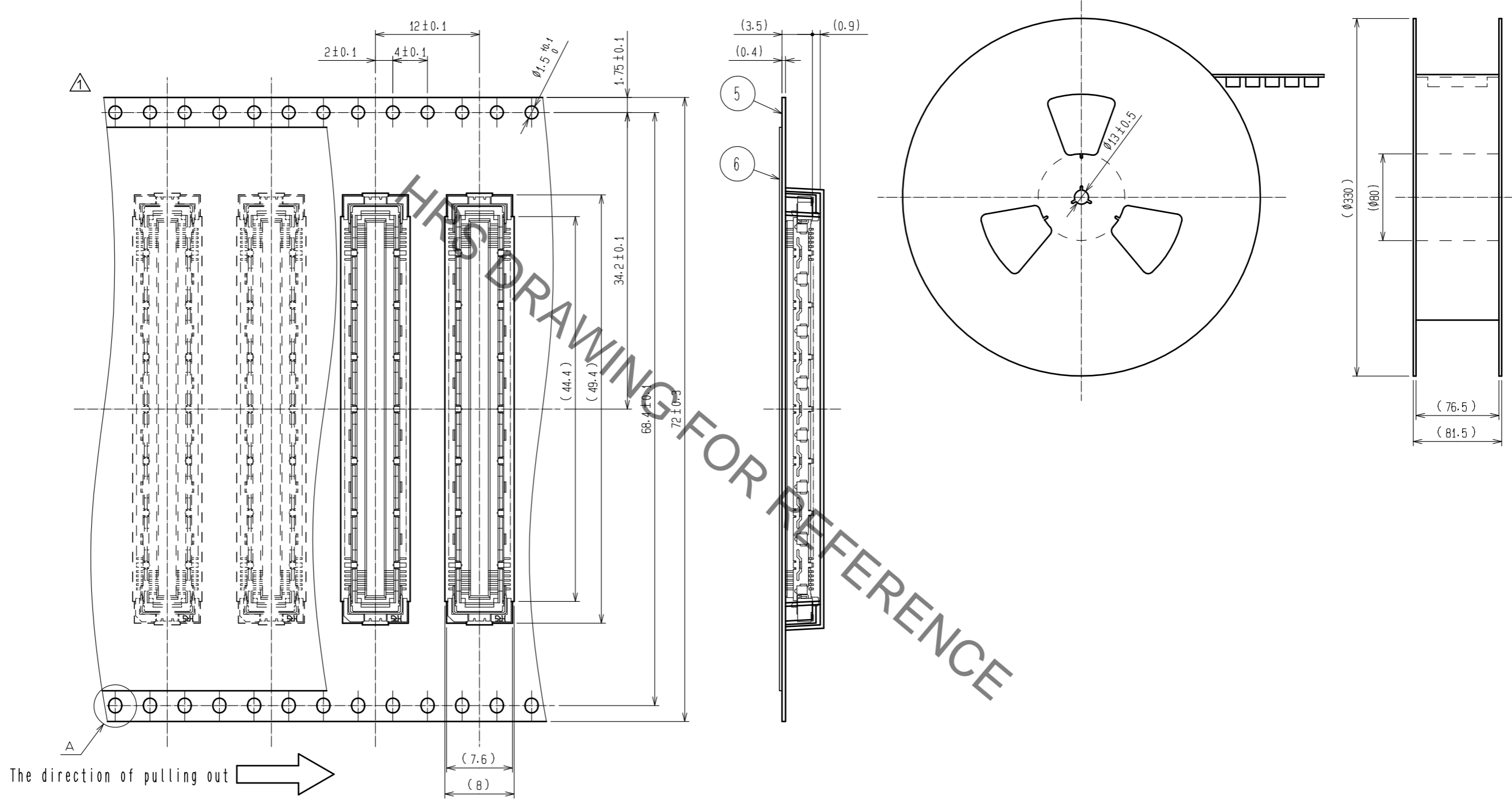
- Notes
- 1 14 hatched parts : ground circuit.
 - 2 2 hatched parts : ground circuit.
 - 3 SMT lead - coplanarity : 0.1 max.
 - 4 This product has no polarity to pattern for mounting.
 - 5 Emboss carrier tape package is applied on this product.
Please refer to the sheet 2/2 for the details.
 - 6 The dimensions in parentheses are for reference.

2	Phosphor blonze	Contact area : Gold 0.1μm min	6	Polyester	(Top cover tape)		
		Lead area : Gold 0.05μm min	5	Polyethylene	(Emboss carrier tape)		
1	LCP	Under plating : Nickel 1μm min	4	Phosphor blonze	Tin - plating		
		Beige UL94V-0	3	Phosphor blonze	Tin - plating		
NO.	MATERIAL	FINISH . REMARKS	NO.	MATERIAL	FINISH . REMARKS		
UNITS mm		SCALE 4 : 1	COUNT 1	DESCRIPTION OF REVISIONS DIS-F-00011032	DESIGNED MT. ITANO	CHECKED HT. YAMAGUCHI	DATE 20211007
HRS HIROSE ELECTRIC CO., LTD.		APPROVED : HS. OKAWA	20080220	DRAWING NO. EDC3-151979-21			
		CHECKED : HS. OZAWA	20080220	PART NO. FX10A-140S/14-SV(C91)			
		DESIGNED : SY. KAMIGA	20080220	CODE NO. CL0570-0204-2-91			
		DRAWN : HK. SUNADORI	20080219	1/2			

Dec.1.2022 Copyright 2022 HIROSE ELECTRIC CO., LTD. All Rights Reserved.
 In case of consideration for using Automotive equipment / device which demand high reliability, kindly contact our sales window correspondents.

Drawing for packing (2:1)

Reeled dimension (Free)



- Notes
- 7 1 reel : 1,000 connectors.
 - 8 Minimum 10 compartments from both reel ends remain empty.
 - 9 This product has no polavity to tape and reel packaging.
 - 10 The dimensions in parentheses are for reference.

HRS	DRAWING NO.	EDC3-151979-21	
	PART NO.	FX10A-140S/14-SV(91)	
	CODE NO.	CL0570-0204-2-91	