

# Sleeve housing for cable connector - RC-000000080FZ



1592680

<https://www.phoenixcontact.com/us/products/1592680>

Please be informed that the data shown in this PDF document is generated from our Online Catalog. Please find the complete data in the user documentation. Our General Terms of Use for Downloads are valid.



Sleeve housing for cable connector, straight, Screw locking, M23, shielded: no, cable diameter range: 2 mm ... 10.5 mm item no.: 1240259

## Commercial Data

Item number	1592680
Packing unit	1 pc
Minimum order quantity	1 pc
Note	Made to Order (non-returnable)
Sales Key	A12
Product Key	ABRAAU
GTIN	4046356192194
Weight per Piece (including packing)	65.88 g
Weight per Piece (excluding packing)	65.505 g
Customs tariff number	85389099
Country of origin	DE

1592680

<https://www.phoenixcontact.com/us/products/1592680>

## Technical Data

### Notes

Order information:	Order contact inserts separately
--------------------	----------------------------------

### Product properties

Product type	Sleeve housings
Connection profile	12
Application	Signal
Locking type	Screw locking
Shielded	no
Thread type	M23

### Material specifications

Seal material	FPM or NBR or EPDM
Housing material	Turned parts: copper zinc alloy (CuZn), die-cast parts: zinc (GD-Zn)
Gasket and O-ring material	FPM
Housing material	Metal

### Connector

Type	straight
------	----------

### Cable / line

External cable diameter	2 mm ... 10.5 mm
-------------------------	------------------

### Environmental and real-life conditions

#### Ambient conditions

Degree of protection	IP65
	IP67
	IP68
Altitude	2000 m

# Sleeve housing for cable connector - RC-000000080FZ

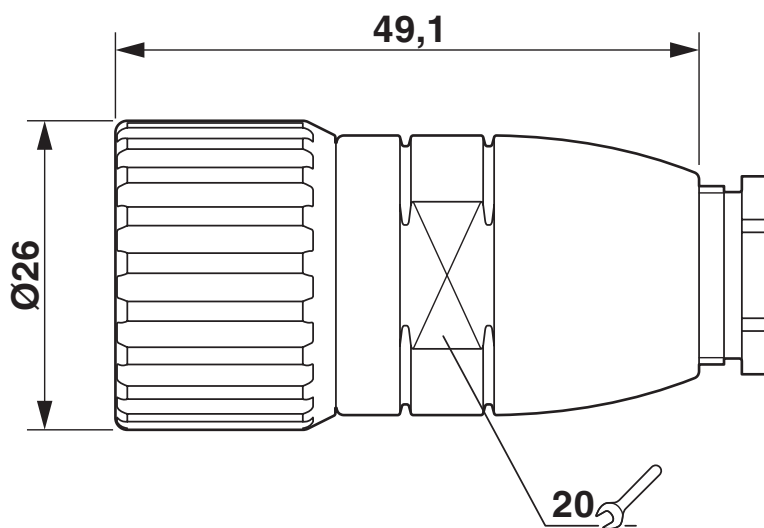


1592680

<https://www.phoenixcontact.com/us/products/1592680>

## Drawings

Dimensional drawing



1592680

<https://www.phoenixcontact.com/us/products/1592680>

## Classifications

### ECLASS

ECLASS-9.0	27440102
ECLASS-10.0.1	27440102
ECLASS-11.0	27440102

### ETIM

ETIM 8.0	EC002635
----------	----------

### UNSPSC

UNSPSC 21.0	39121400
-------------	----------

# Sleeve housing for cable connector - RC-000000080FZ



1592680

<https://www.phoenixcontact.com/us/products/1592680>

## Environmental Product Compliance

REACH SVHC	Lead 7439-92-1
China RoHS	Environmentally Friendly Use Period = 50 years
	For information on hazardous substances, refer to the manufacturer's declaration available under "Downloads"

Phoenix Contact 2022 © - all rights reserved

<https://www.phoenixcontact.com>

Phoenix Contact USA  
586 Fulling Mill Road  
Middletown, PA 17057, United States  
(+717) 944-1300  
[info@phoenixcon.com](mailto:info@phoenixcon.com)